



US00D428962S

United States Patent [19] Morford

[11] **Patent Number: Des. 428,962**

[45] **Date of Patent: ** Aug. 1, 2000**

[54] **MOTORCYCLE FIREARM SUPPORT**

5,350,094 9/1994 Morford 211/64
5,531,368 7/1996 Morford 211/64

[75] Inventor: **Ted Morford**, Bozeman, Mont.

[73] Assignee: **Big Sky Racks, Inc.**, Bozeman, Mont.

[**] Term: **14 Years**

Primary Examiner—Louis S. Zarfes
Assistant Examiner—Monica A. Weingart
Attorney, Agent, or Firm—D. L. Tschida

[21] Appl. No.: **29/092,587**

[22] Filed: **Aug. 24, 1998**

[57] **CLAIM**

The ornamental design for a motorcycle firearm support, as shown and described.

[51] **LOC (7) Cl.** **22-01**

[52] **U.S. Cl.** **D22/108; D22/110; D22/199**

[58] **Field of Search** D22/100, 108,
D22/199; D6/552; D12/114; 42/94; 89/37.04;
211/64; 224/413

DESCRIPTION

FIG. 1 is a front plan view of my new design for a motorcycle firearm support and wherein the matter shown in dashed line forms no part of the invention;

FIG. 2 is a perspective drawing showing rear and top views thereof;

FIG. 3 is a perspective drawing showing rear, top and left side views thereof;

FIG. 4 is a perspective drawing showing front, bottom and left side views thereof; and,

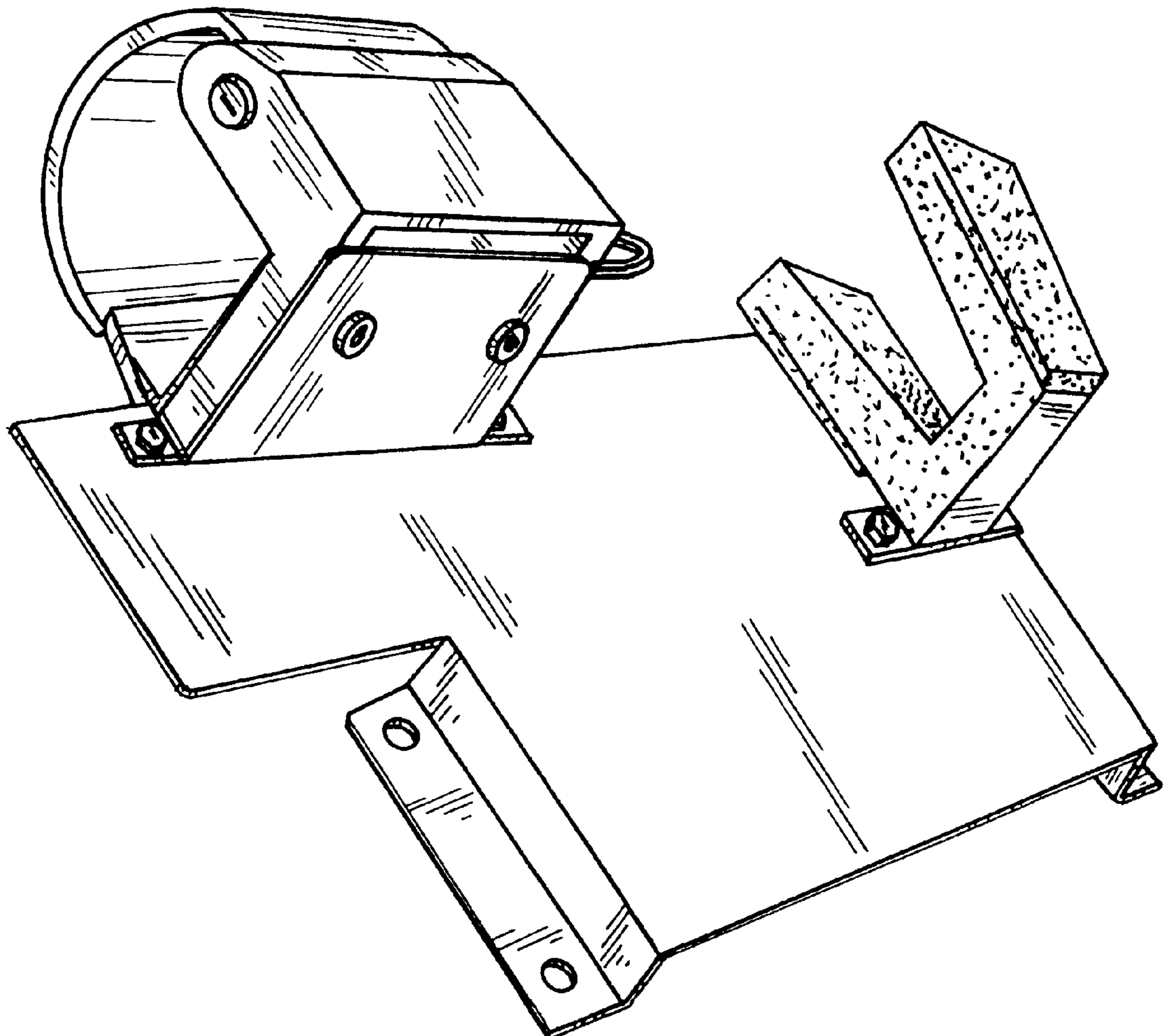
FIG. 5 is a bottom plan view thereof.

[56] **References Cited**

U.S. PATENT DOCUMENTS

D. 345,273	3/1994	Horn	D6/552
1,367,353	2/1921	Craig	42/94
2,407,884	9/1946	Johnston	224/413
4,558,532	12/1985	Wright	42/94
4,607,772	8/1986	Hancock	224/413

1 Claim, 5 Drawing Sheets



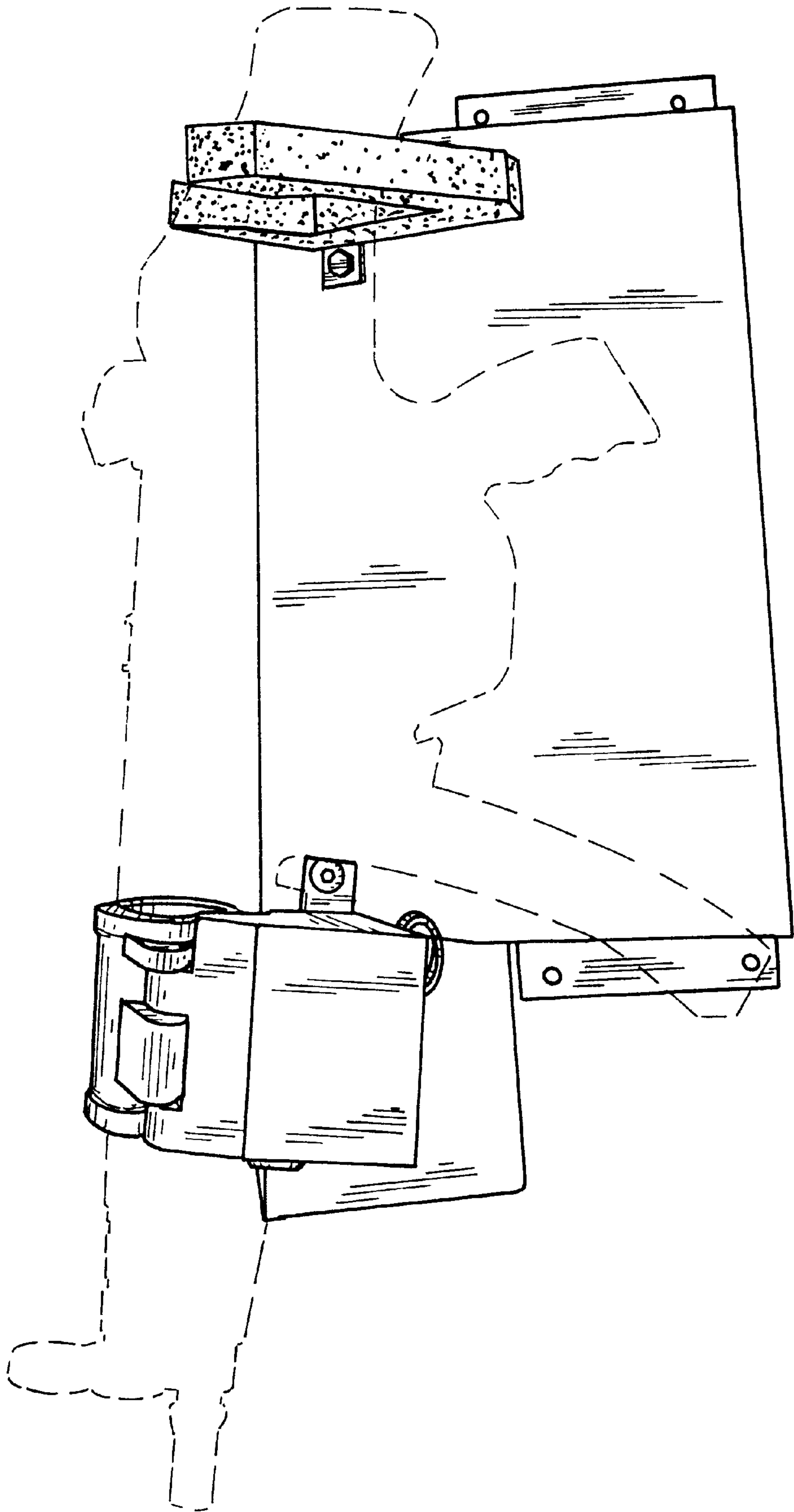


FIG. 1

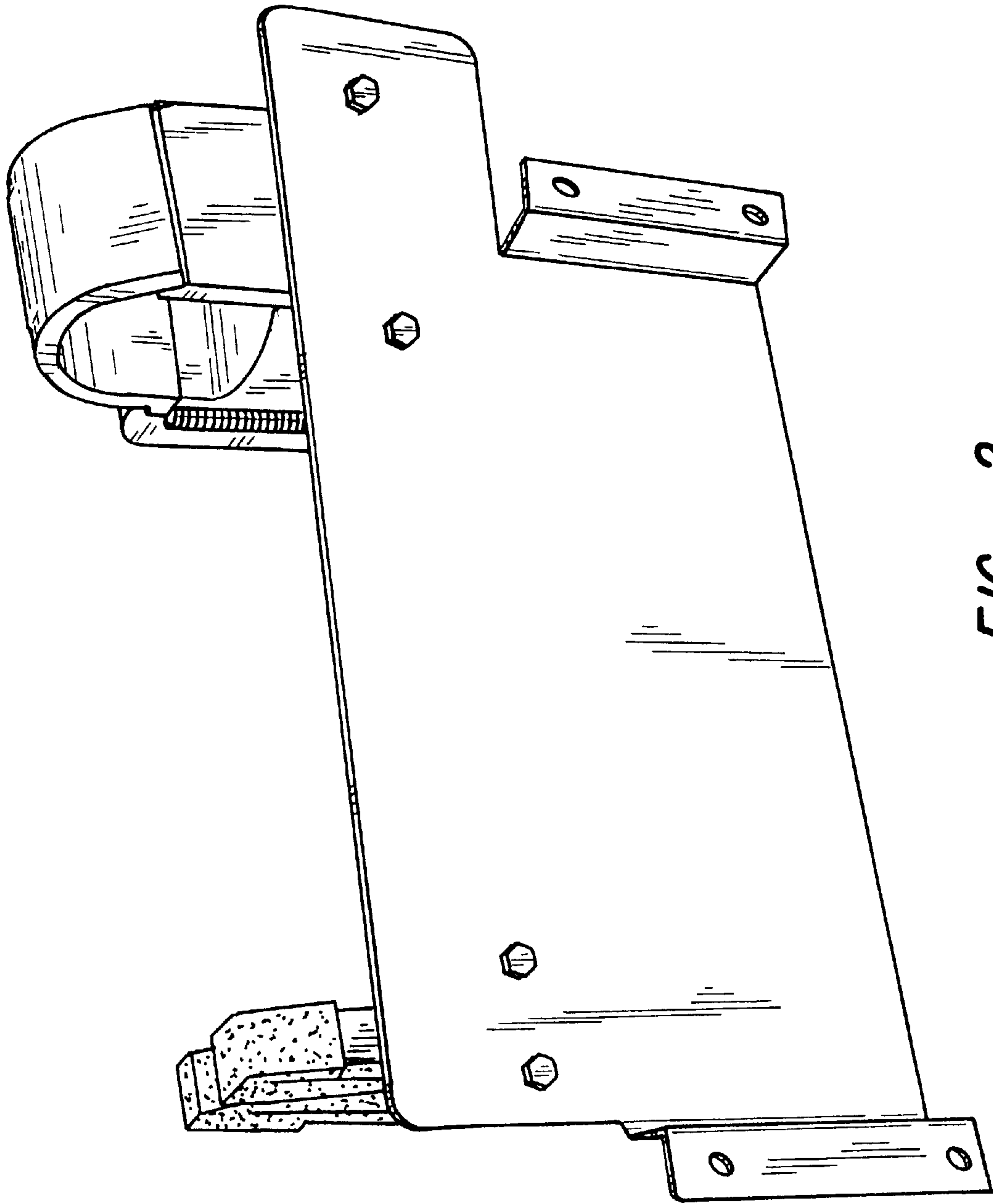


FIG. 2

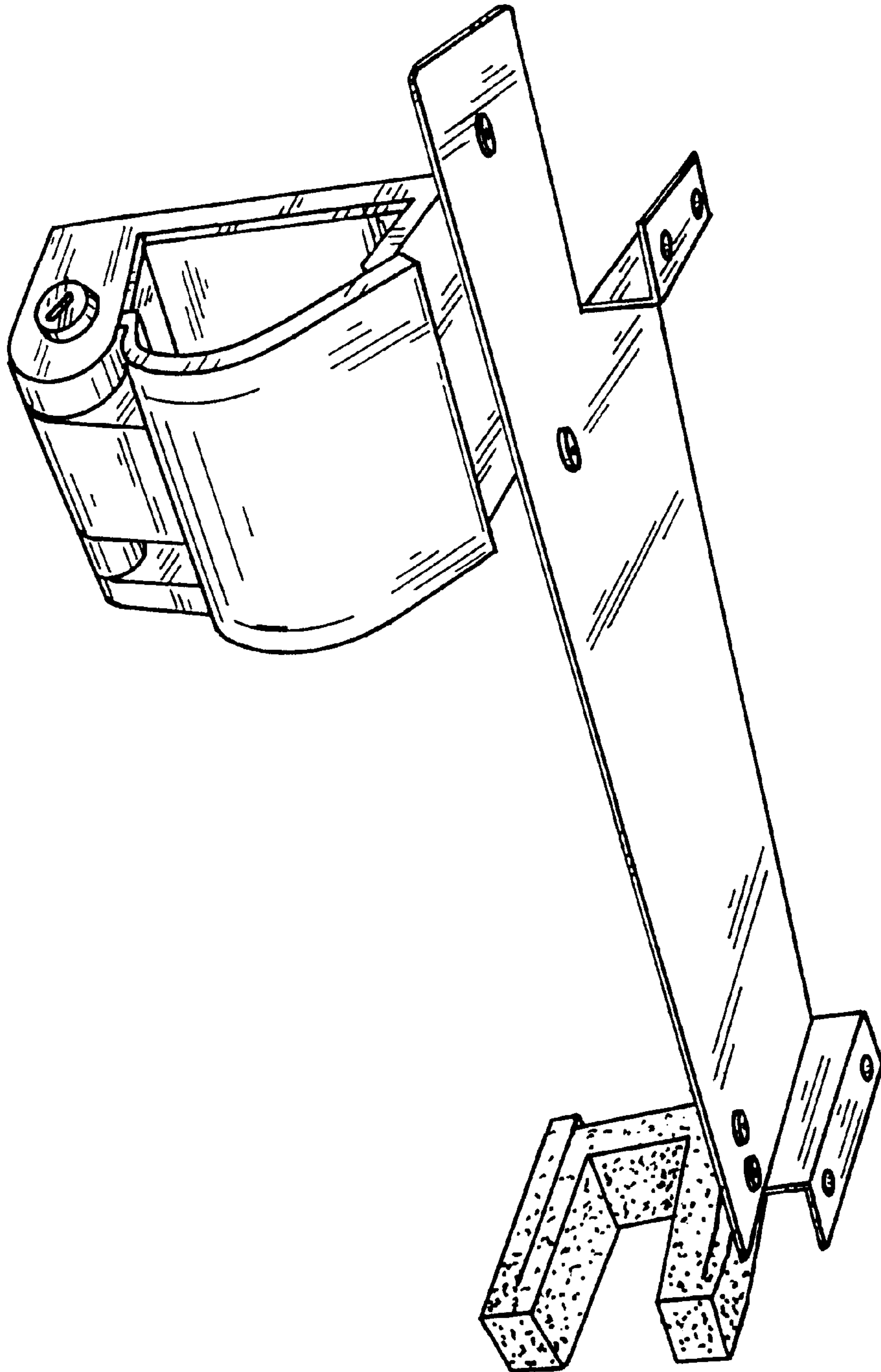


FIG. 3

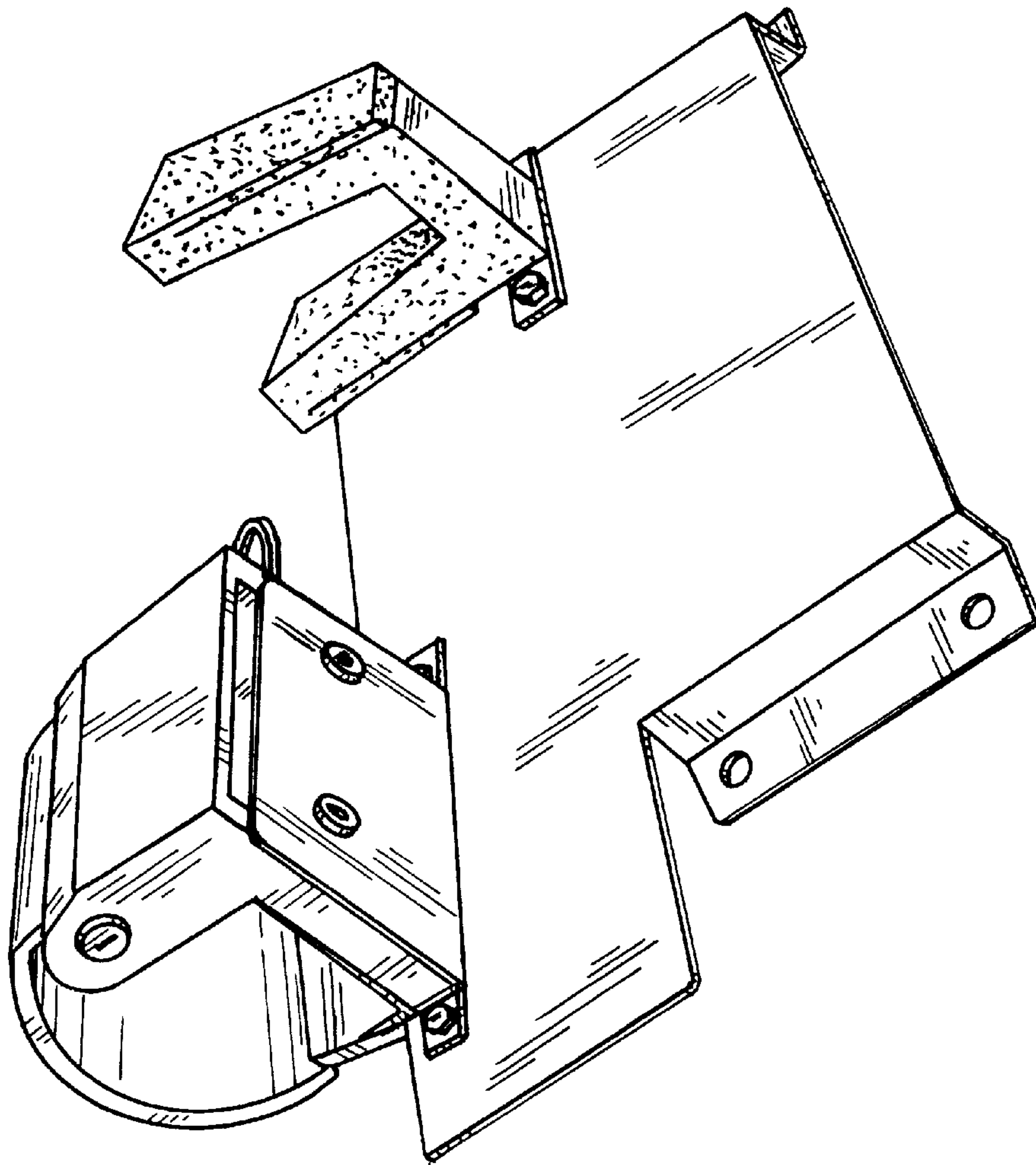


FIG. 4

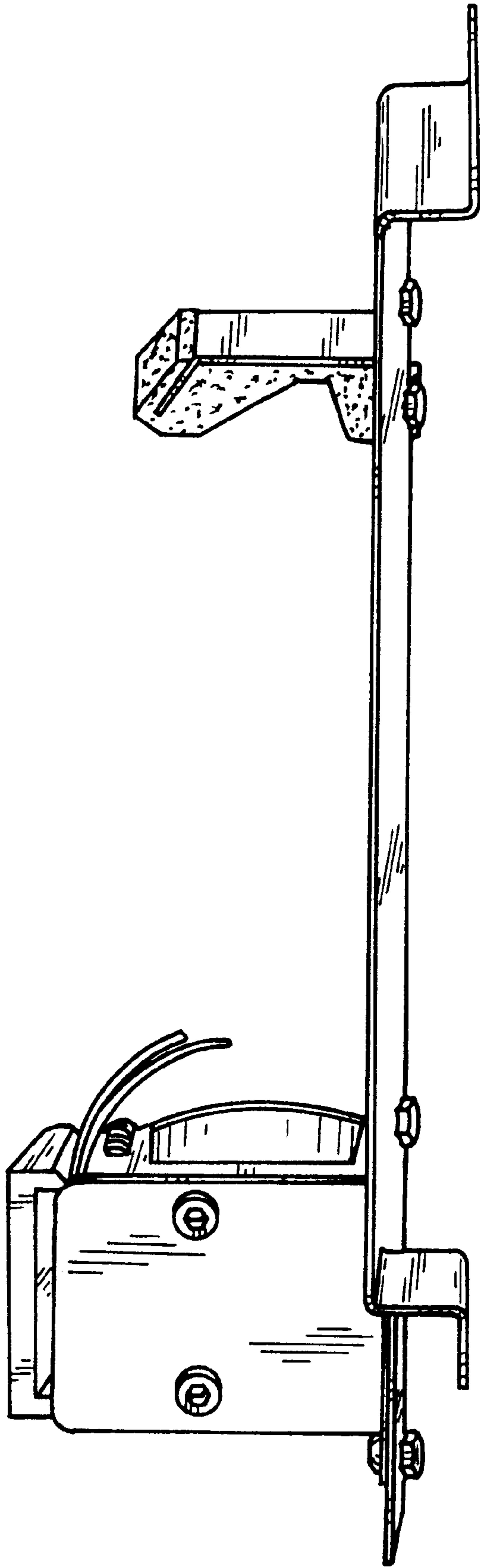


FIG. 5