



US00D428958S

United States Patent [19]

Sutton et al.

[11] Patent Number: **Des. 428,958**

[45] Date of Patent: **** Aug. 1, 2000**

[54] **ACCESSIBLE PLAY CURB**

[75] Inventors: **Wesley D. Sutton; Brian Henry**, both of Fort Payne, Ala.

[73] Assignee: **Playcore, Inc.**, Fort Payne, Ala.

[**] Term: **14 Years**

[21] Appl. No.: **29/104,291**

[22] Filed: **May 3, 1999**

[51] **LOC (7) Cl.** **21-03**

[52] **U.S. Cl.** **D21/814**

[58] **Field of Search** D21/811, 814, D21/817; 482/35, 36; 414/537, 921; 472/88, 89

[56] **References Cited**

U.S. PATENT DOCUMENTS

1,502,272	7/1924	Sayre	472/116
5,935,011	8/1999	Morgan et al.	472/29
5,938,283	8/1999	Babcock et al.	472/118
5,946,756	9/1999	Mapp	472/88

Primary Examiner—Mitchell Siegel
Attorney, Agent, or Firm—Welsh & Katz, Ltd.

[57] **CLAIM**

The ornamental design for a accessible play curb, as shown and described.

DESCRIPTION

FIG. 1 is a perspective view the accessible play curb.
FIG. 2 is a front plan view of the accessible play curb of FIG. 1.
FIG. 3 is a rear plan view of the accessible play curb of FIG. 1.
FIG. 4 is a left side view of the accessible play curb of FIG. 1.
FIG. 5 is a right side view of the accessible play curb of FIG. 1.
FIG. 6 is a top plan view of the accessible play curb of FIG. 1; and,
FIG. 7 is a bottom plan view of the accessible play curb of FIG. 1.

1 Claim, 2 Drawing Sheets

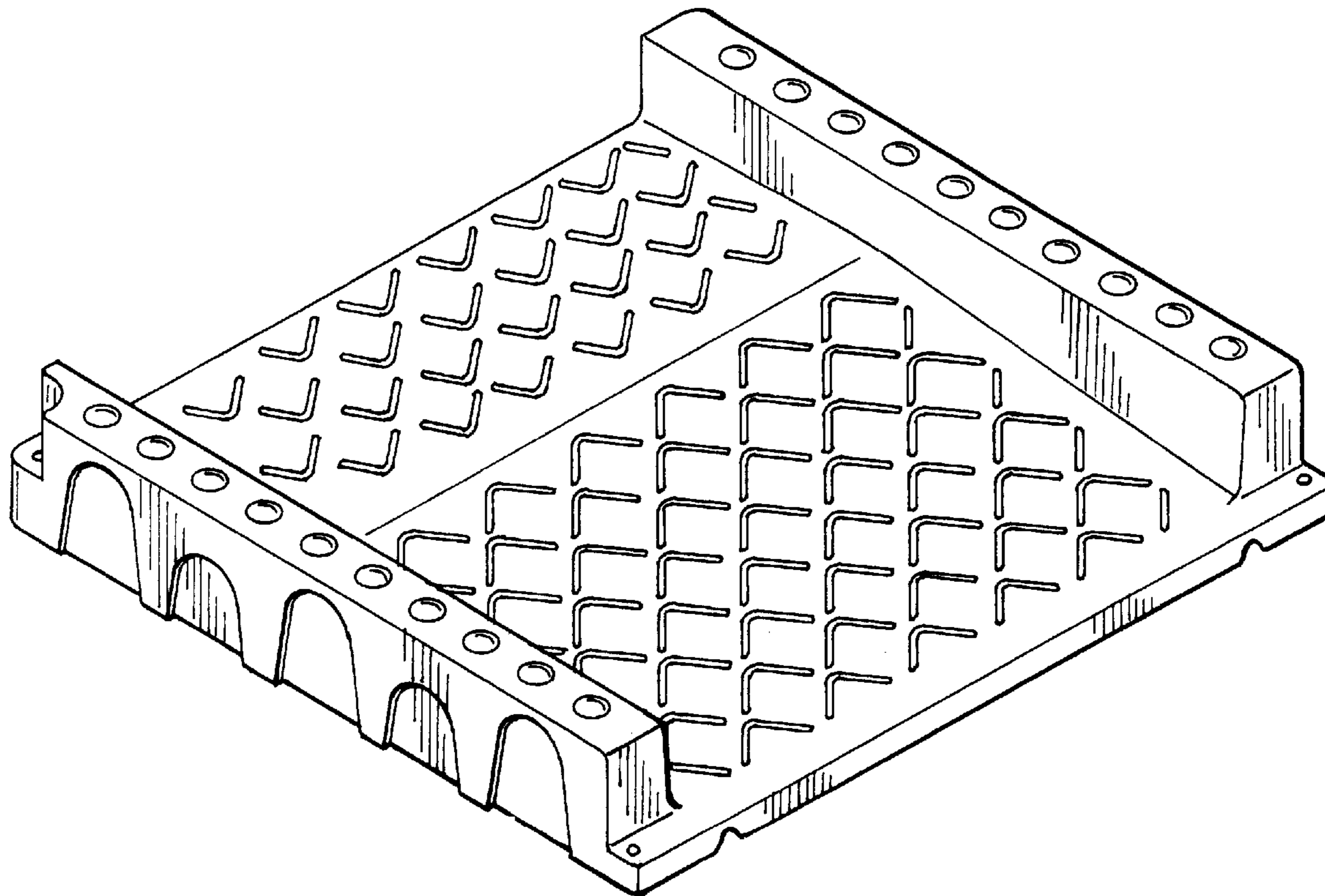


FIG.1

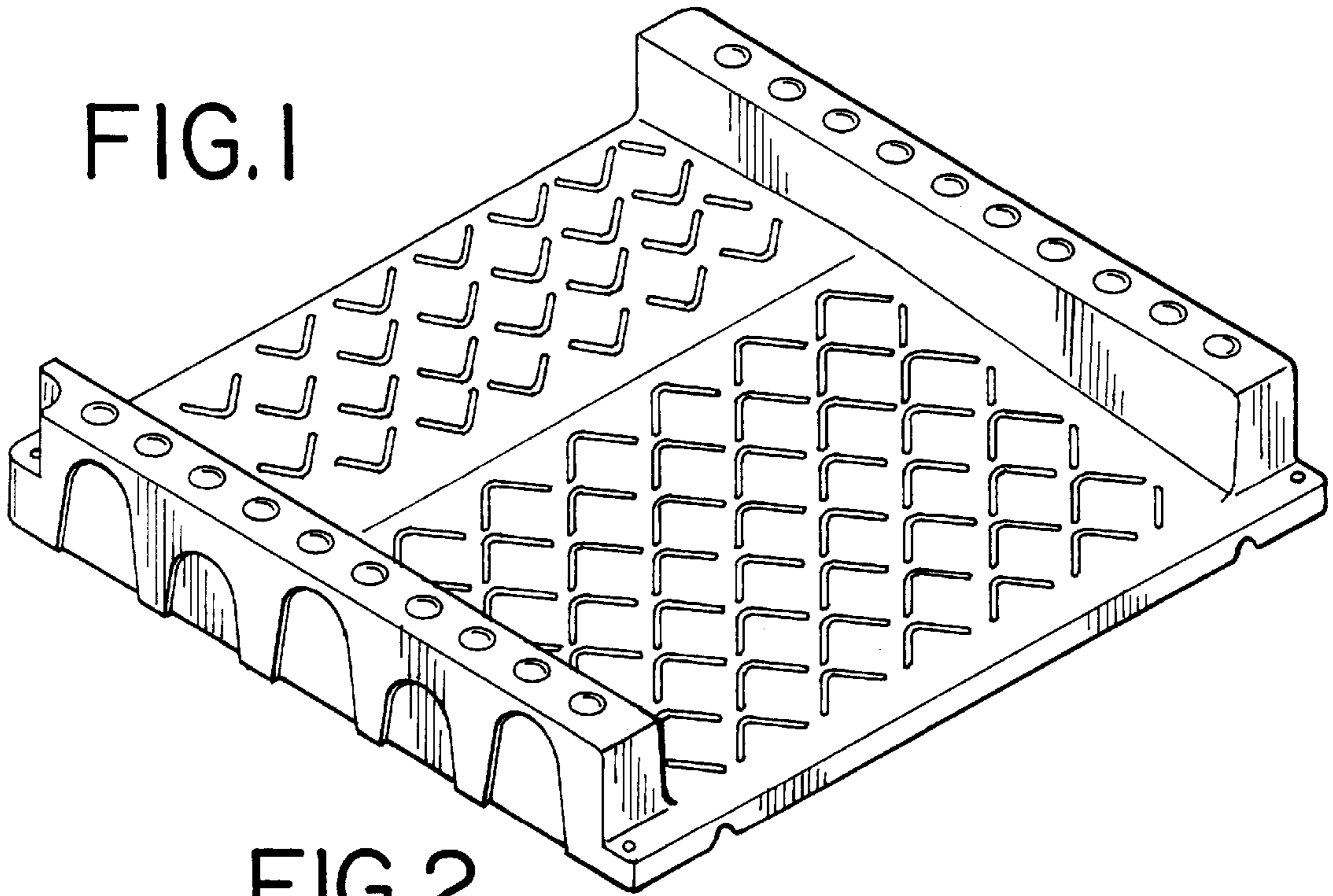


FIG.2



FIG.3



FIG.4

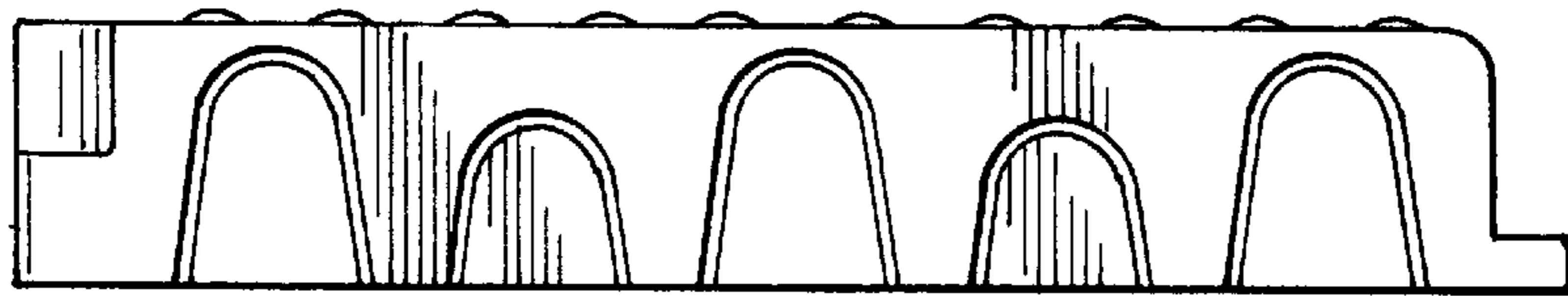


FIG.5

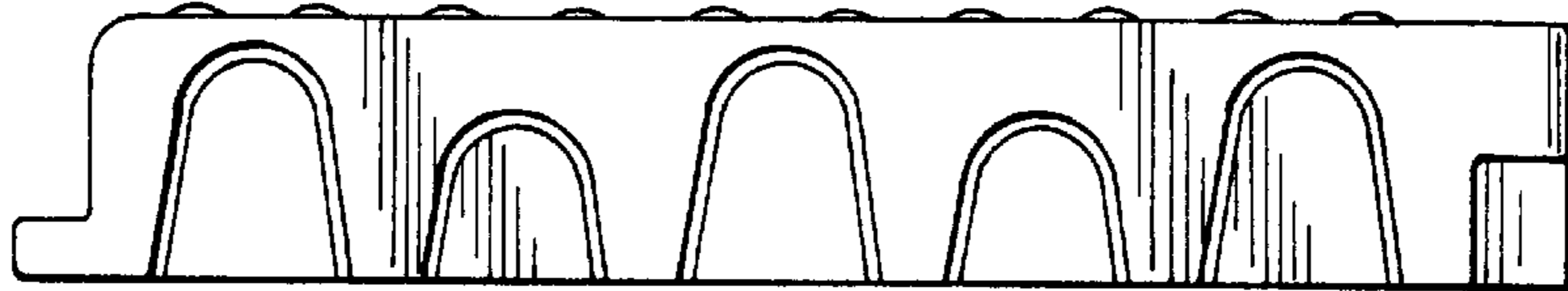


FIG.6

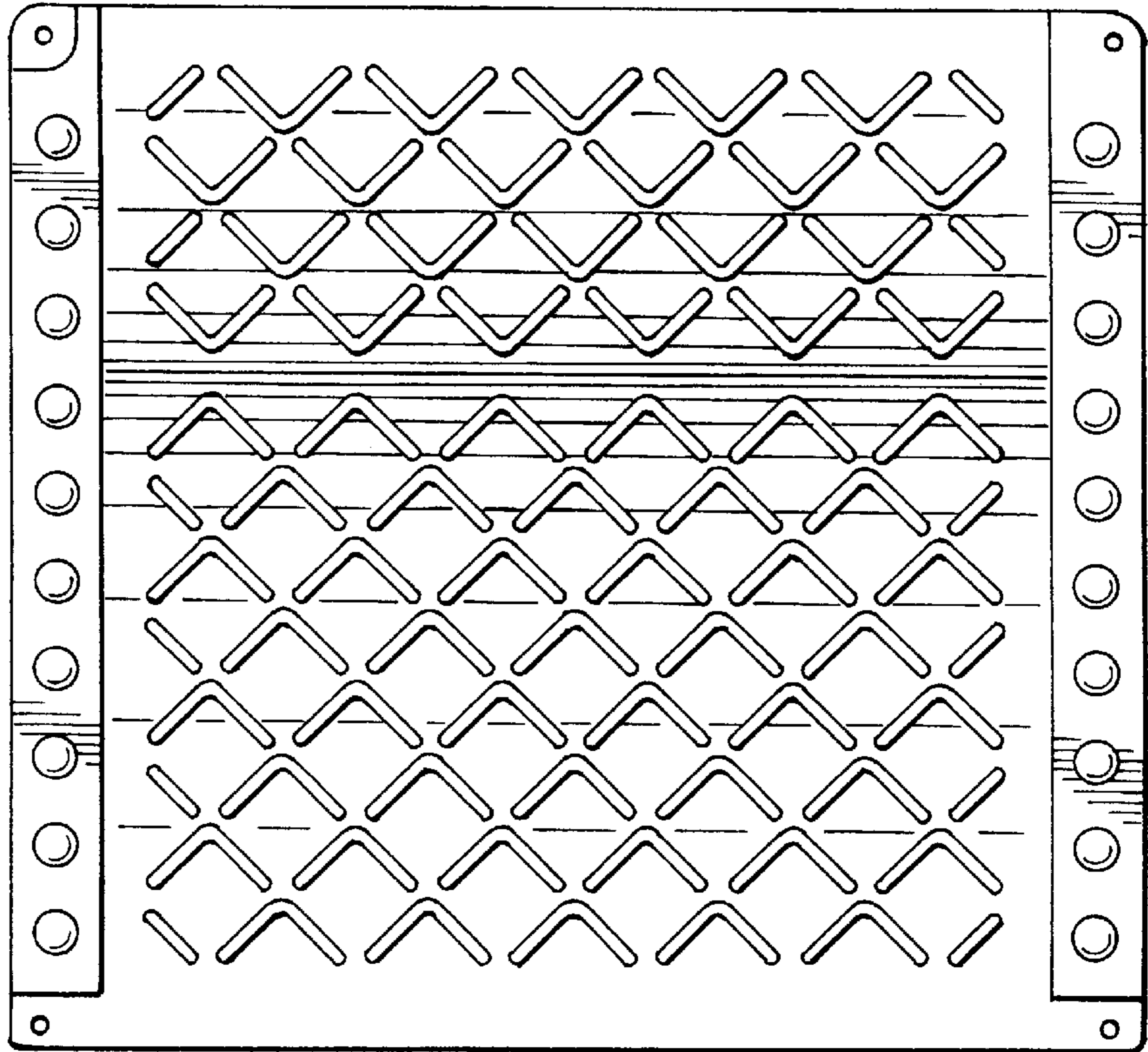


FIG.7

