



US00D428954S

# United States Patent [19] Tate

[11] Patent Number: **Des. 428,954**

[45] Date of Patent: **\*\* Aug. 1, 2000**

[54] **GOLF BALL MARKER**

2,710,757 6/1955 Chong ..... 473/257  
3,347,551 10/1967 Dreyfus ..... 473/257

[76] Inventor: **John R. Tate**, 11621 Markon Dr.,  
Garden Grove, Calif. 92841

*Primary Examiner*—Mitchell Siegel  
*Attorney, Agent, or Firm*—Charles H. Thomas

[\*\*] Term: **14 Years**

[57] **CLAIM**

[21] Appl. No.: **29/112,930**

The ornamental design for a golf ball marker, as shown and described.

[22] Filed: **Oct. 22, 1999**

### DESCRIPTION

[51] **LOC (7) Cl.** ..... **21-02**

[52] **U.S. Cl.** ..... **D21/793**

[58] **Field of Search** ..... D21/789, 793,  
D21/794; 473/257, 218, 285, 286, 405-407

FIG. 1 is a perspective view of a golf ball marker showing my new design;

FIG. 2 is a rear elevational view thereof;

FIG. 3 is a top plan view thereof;

FIG. 4 is a front elevational view thereof;

FIG. 5 is a right-side elevational view thereof, it being understood that the left-side elevational view appears in mirror image to that illustrated; and,

FIG. 6 is a bottom plan view thereof.

### [56] References Cited

#### U.S. PATENT DOCUMENTS

D. 233,897 12/1974 Rowland ..... D21/793  
D. 293,261 12/1987 Sadowski ..... D21/794  
D. 411,276 6/1999 Rosenfeld ..... D21/789  
1,484,064 2/1924 Erickson et al. .... 473/218

**1 Claim, 1 Drawing Sheet**

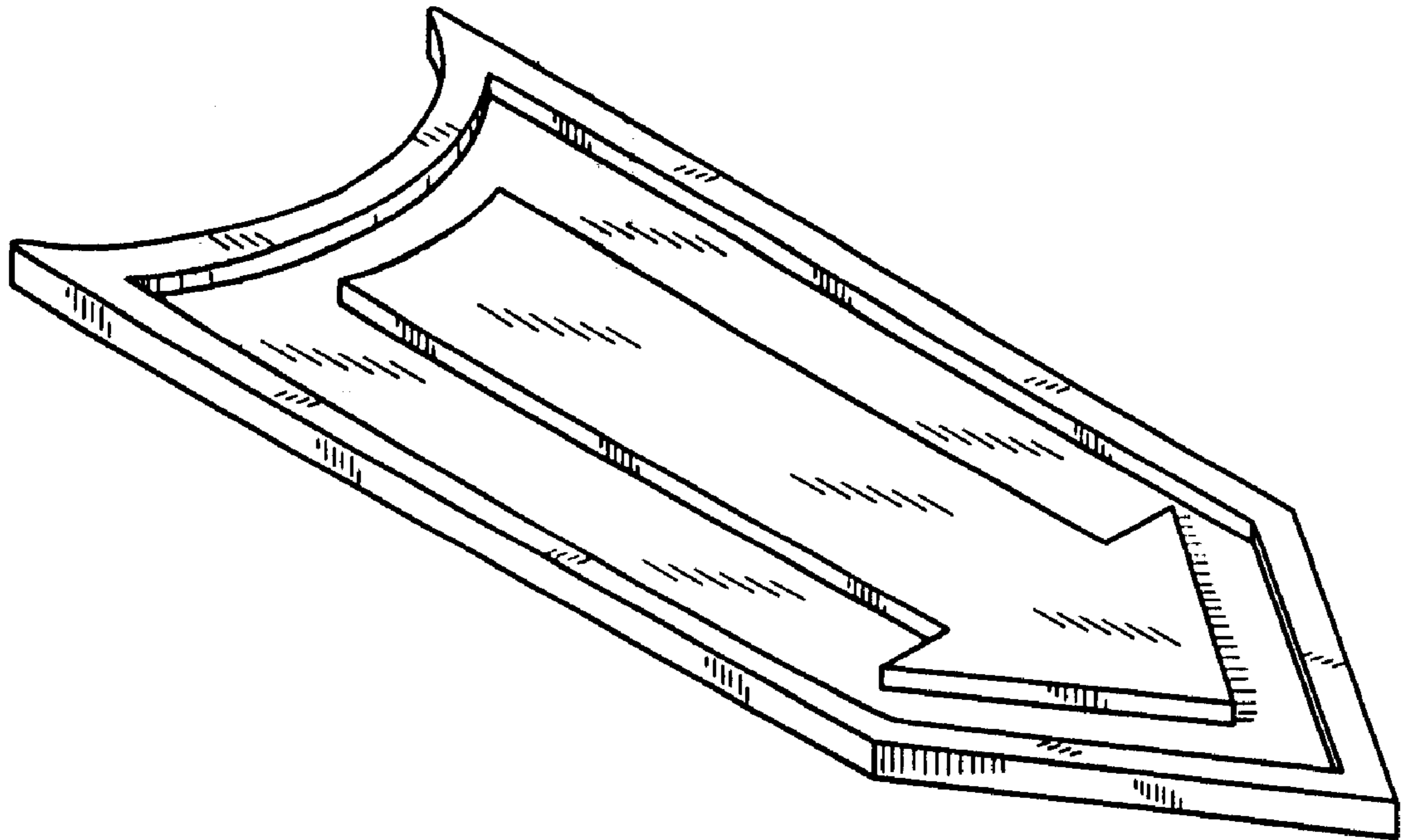


FIG. 1

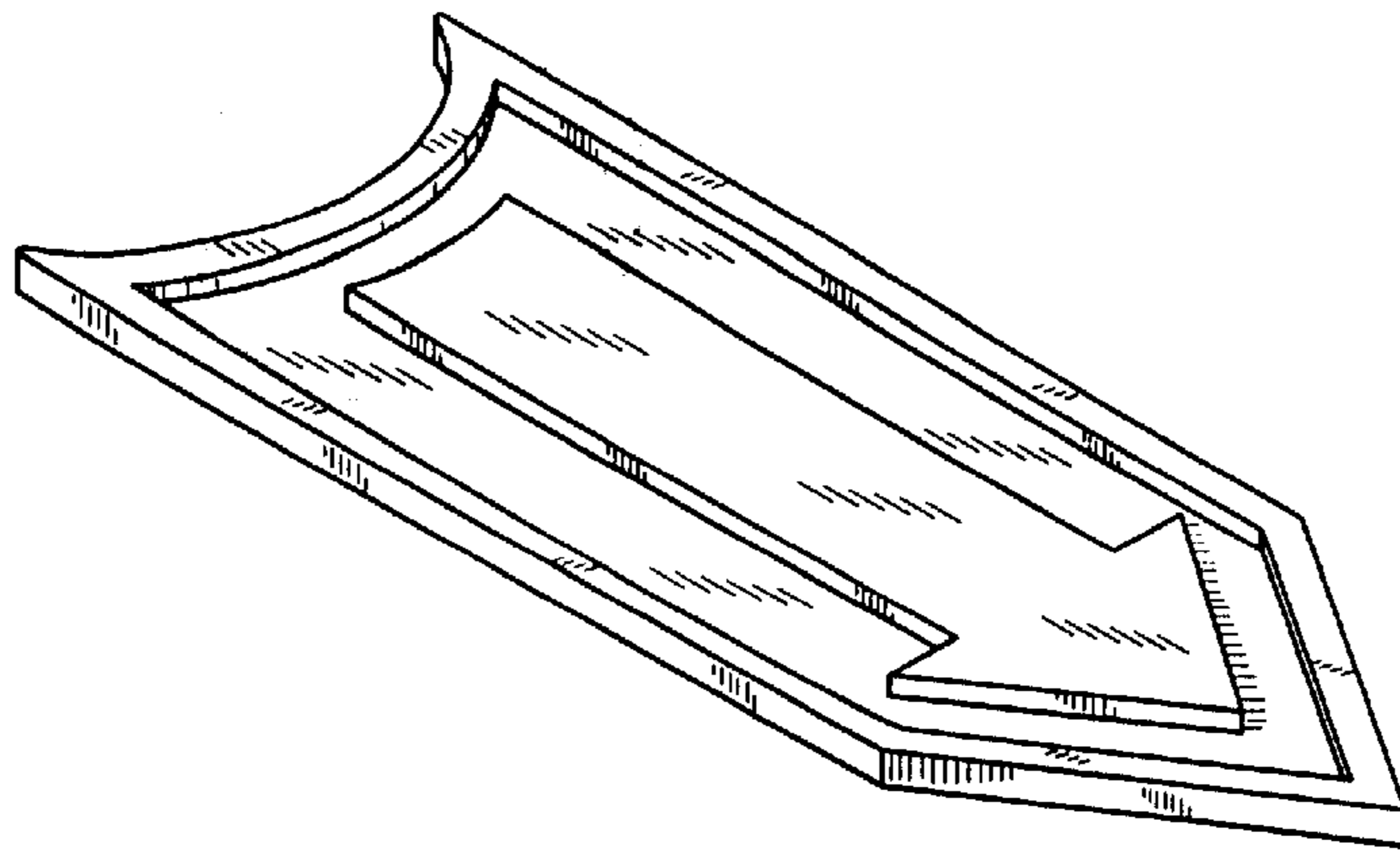


FIG. 2



FIG. 3

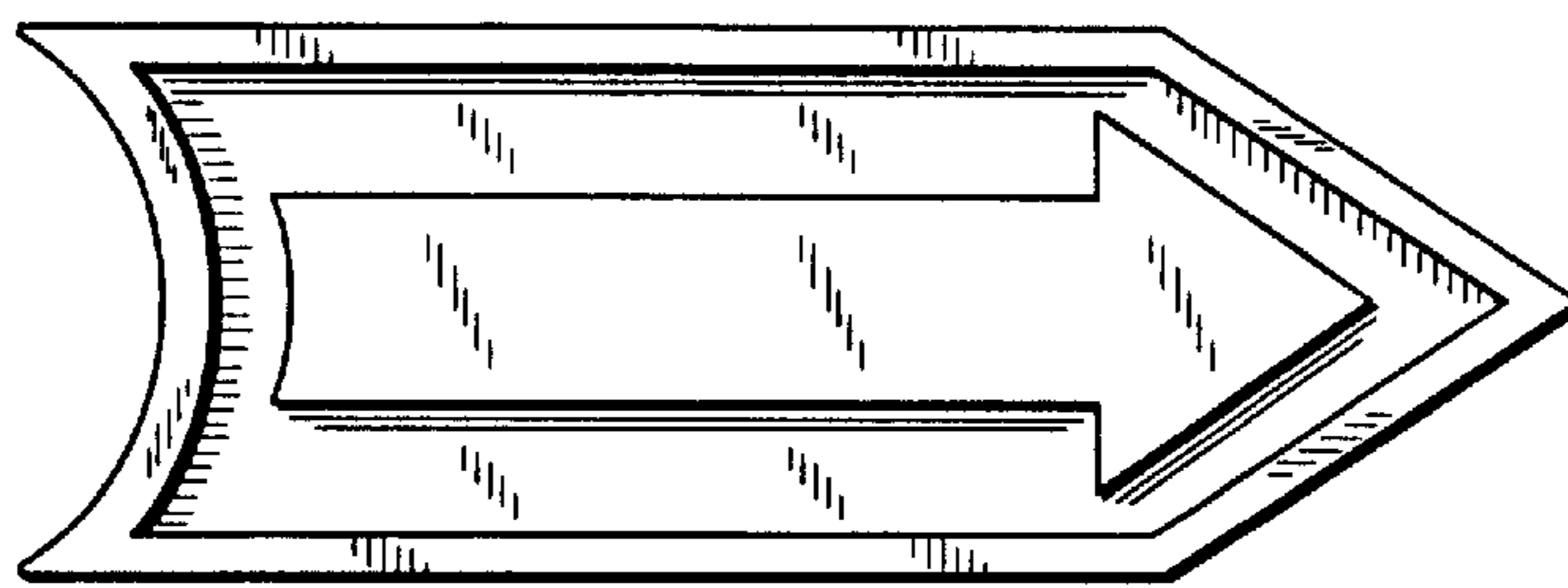


FIG. 4



FIG. 5



FIG. 6

