



US00D428953S

United States Patent [19] Cambra

[11] **Patent Number: Des. 428,953**

[45] **Date of Patent: ** Aug. 1, 2000**

[54] **POOL TABLE**

[76] Inventor: **Bené M. Cambra**, 1134 Ramona Ave., #A, Grover Beach, Calif. 93433

[**] Term: **14 Years**

[21] Appl. No.: **29/103,105**

[22] Filed: **Apr. 8, 1999**

[51] **LOC (7) Cl.** **21-01**

[52] **U.S. Cl.** **D21/784**

[58] **Field of Search** D21/782, 783, D21/784, 726, 771; 473/1, 4, 6, 10, 16, 14, 29, 21, 44, 7, 28, 30

[56] **References Cited**

U.S. PATENT DOCUMENTS

194,522	8/1877	Lincke	473/4
D. 332,293	1/1993	Powers	D21/784
D. 408,488	4/1999	McCormick et al.	D21/784
646,264	3/1900	Collins	473/10
3,881,727	5/1975	Olson	473/4

Primary Examiner—Prabhakar Deshmukh
Attorney, Agent, or Firm—Jack Lo

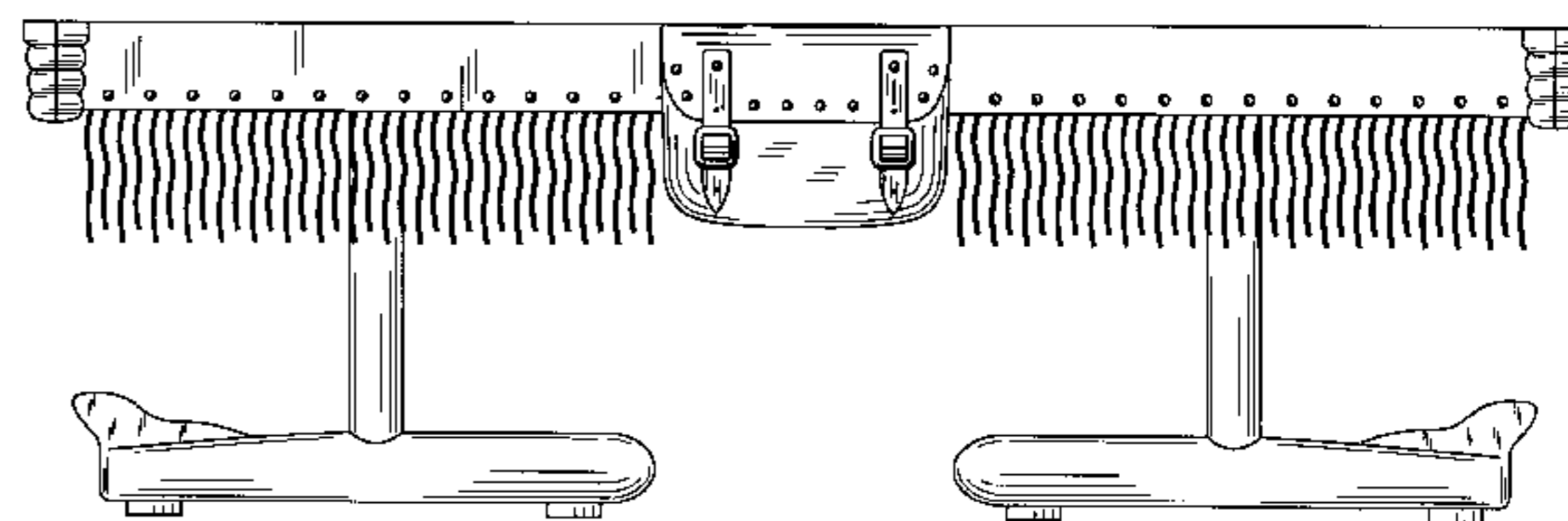
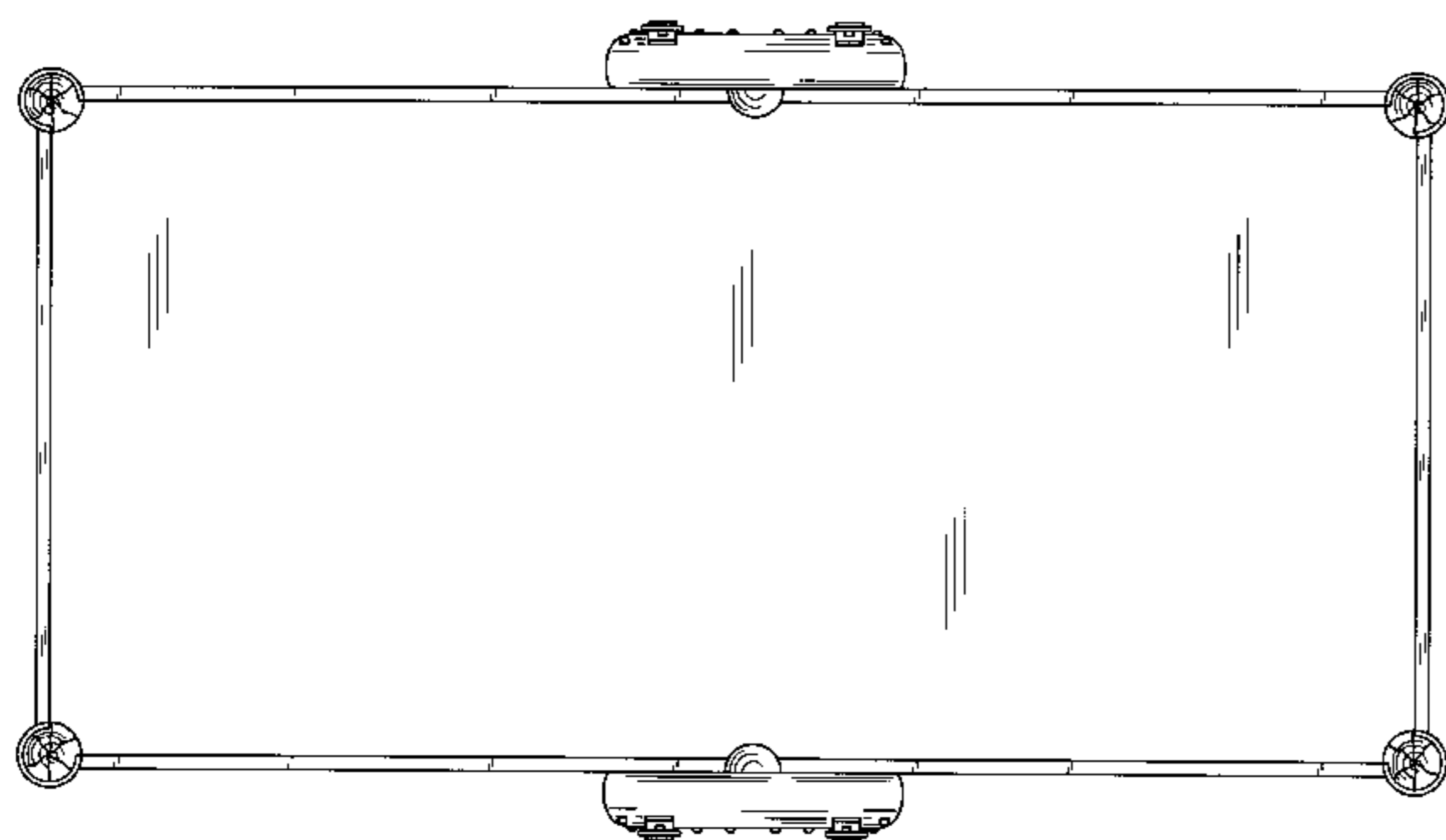
[57] **CLAIM**

The ornamental design for a pool table, as shown and described.

DESCRIPTION

FIG. 1 is a top plan view of a pool table showing my new design;
 FIG. 2 is a left side elevational view thereof; the right side elevational view being a mirror image thereof;
 FIG. 3 is a front elevational view thereof; the rear elevational view being a mirror image thereof;
 FIG. 4 is a left side elevational view of a second embodiment of the pool table; the right side elevational view being a mirror image thereof; and,
 FIG. 5 is a front elevational view of the pool table of FIG. 4, the rear elevational view being a mirror image thereof.
 The bottom is disclaimed. The top plan view of the second embodiment shown in FIG. 4 is the same as shown in FIG. 1.

1 Claim, 3 Drawing Sheets



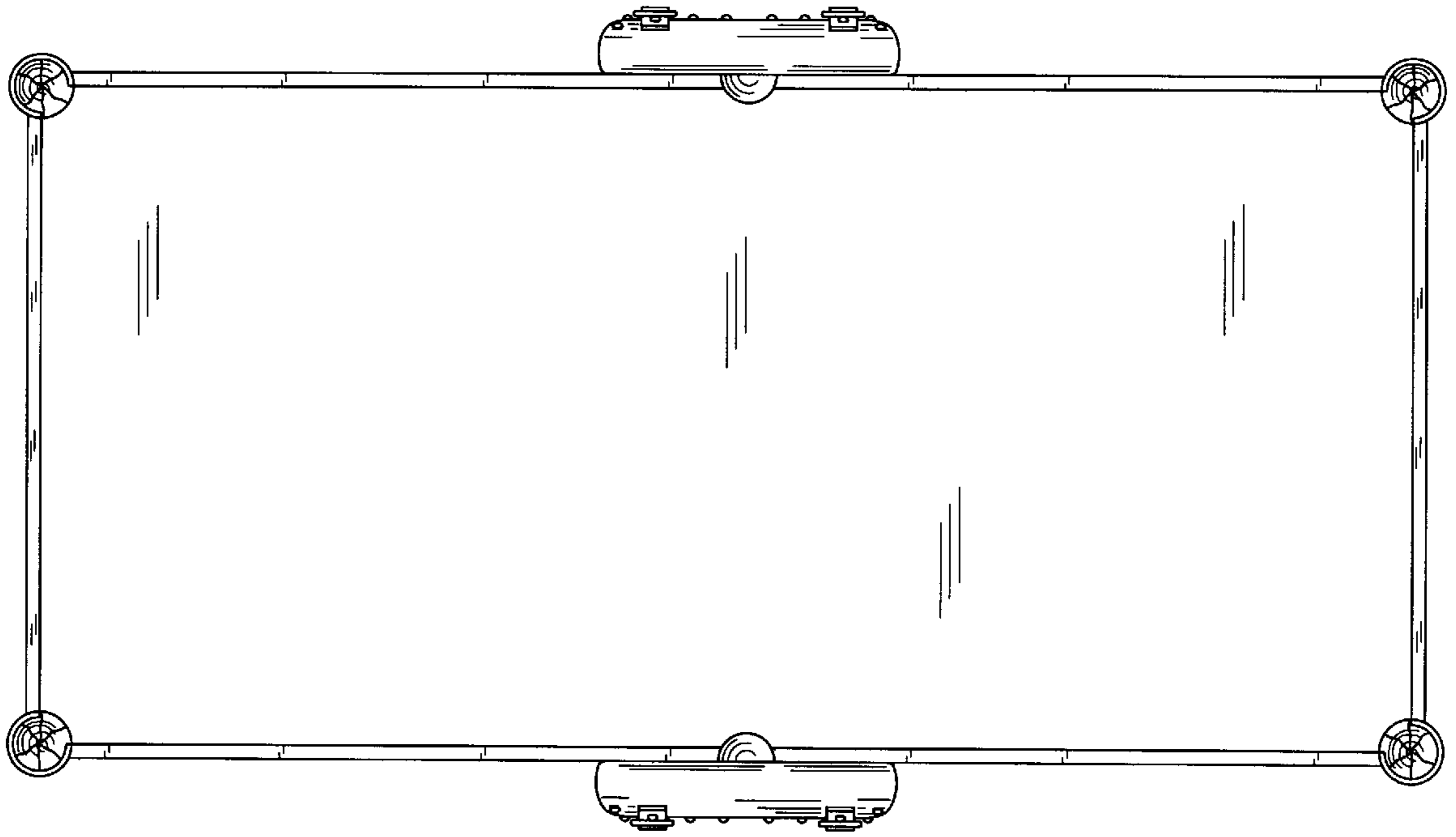


Fig. 1

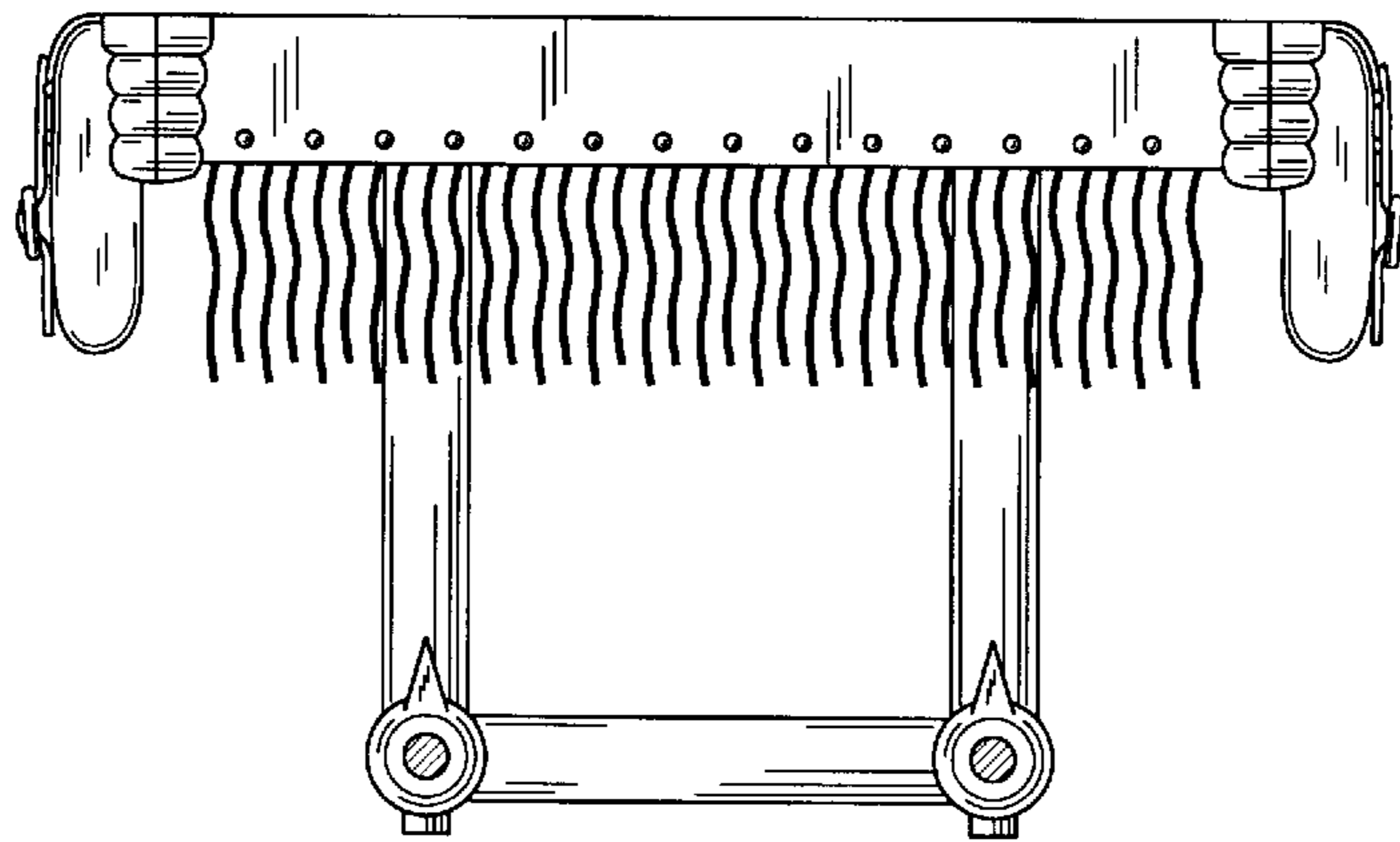


Fig. 2

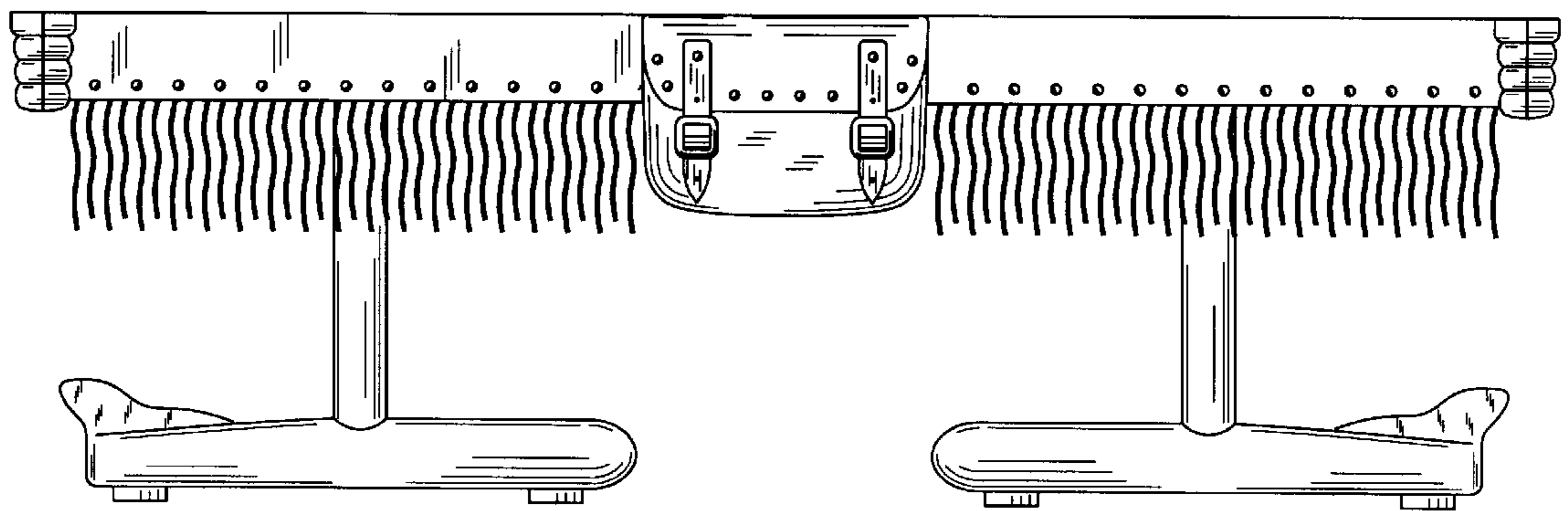


Fig. 3

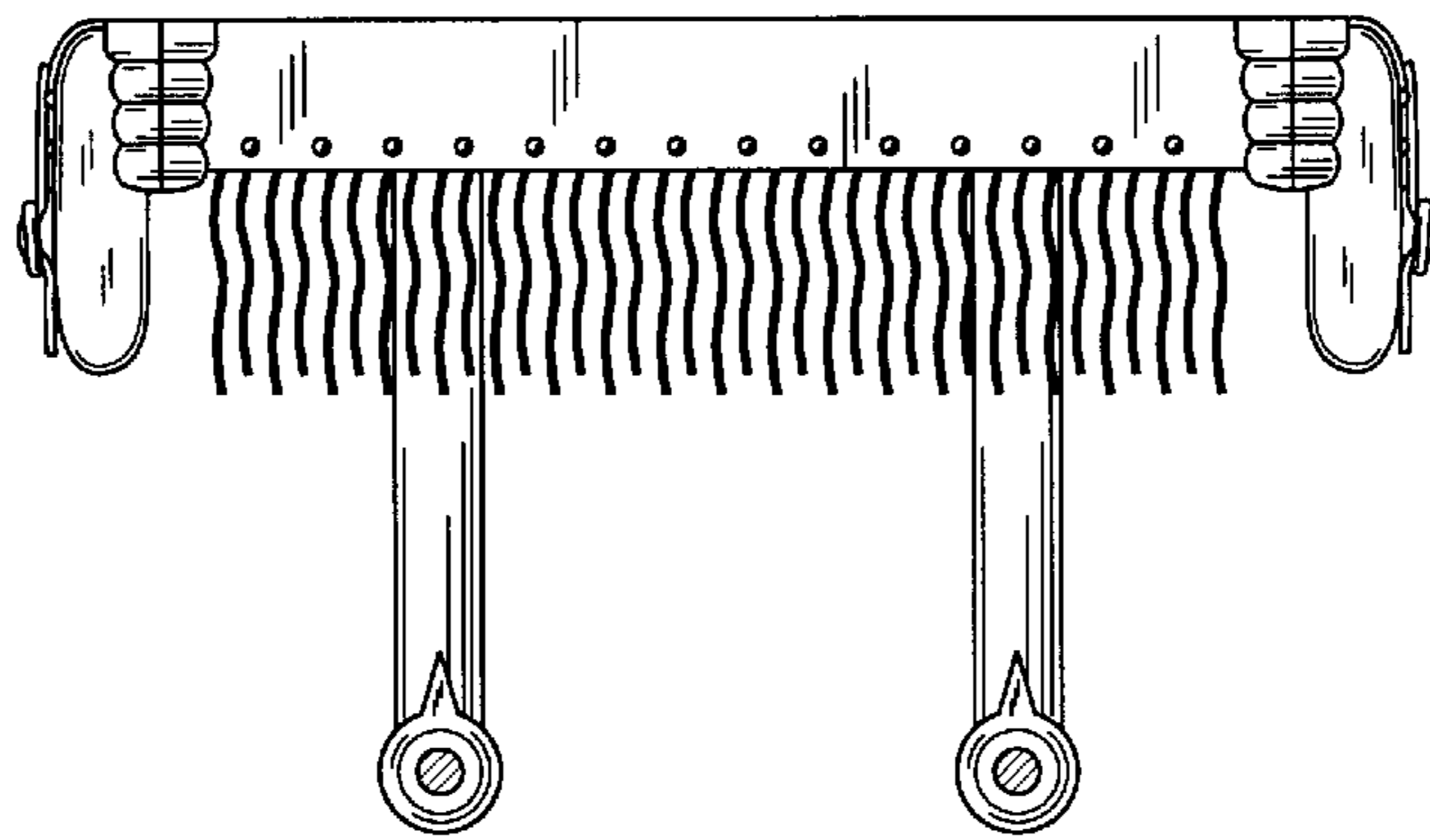


Fig. 4

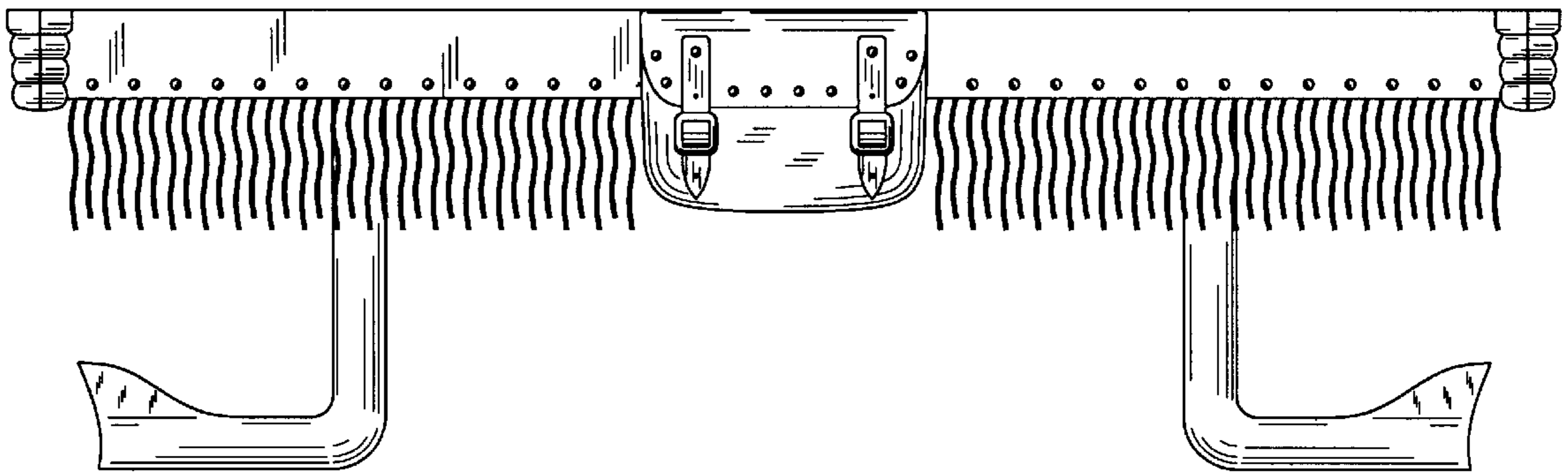


Fig. 5