



US00D428949S

**United States Patent** [19]  
**Simonson**

[11] **Patent Number: Des. 428,949**

[45] **Date of Patent: \*\* Aug. 1, 2000**

[54] **EXERCISE APPARATUS HAVING SINGLE TOWER AND SUPPORT**

[75] Inventor: **Roy Simonson**, Colorado Springs, Colo.

[73] Assignee: **The Simonson Family Partnership RLLLP**, Colorado Springs, Colo.

[\*\*] Term: **14 Years**

[21] Appl. No.: **29/111,019**

[22] Filed: **Sep. 21, 1999**

[51] **LOC (7) Cl.** ..... **21-02**

[52] **U.S. Cl.** ..... **D21/694; D21/675; D21/676**

[58] **Field of Search** ..... D21/662, 694, D21/675, 676, 673; 482/97, 98, 129, 130, 131, 133, 135, 138, 142

[56] **References Cited**

**U.S. PATENT DOCUMENTS**

D. 288,224	2/1987	Rockwell	.....	D21/675
D. 320,246	9/1991	Ish, III et al.	.....	D21/675
D. 321,023	10/1991	Schultz	.....	D21/690
D. 325,610	4/1992	Walker et al.	.....	D21/675

D. 357,957	5/1995	Hung	.....	D21/676
D. 362,281	9/1995	Warehime et al.	.....	D21/675
D. 374,696	10/1996	Degelman	.....	D21/690
5,549,529	8/1996	Rasmussen	.....	482/97
6,015,369	1/2000	Rasmussen	.....	482/97

*Primary Examiner*—Philip S. Hyder  
*Attorney, Agent, or Firm*—Hoffman, Wasson & Gitler PC

[57] **CLAIM**

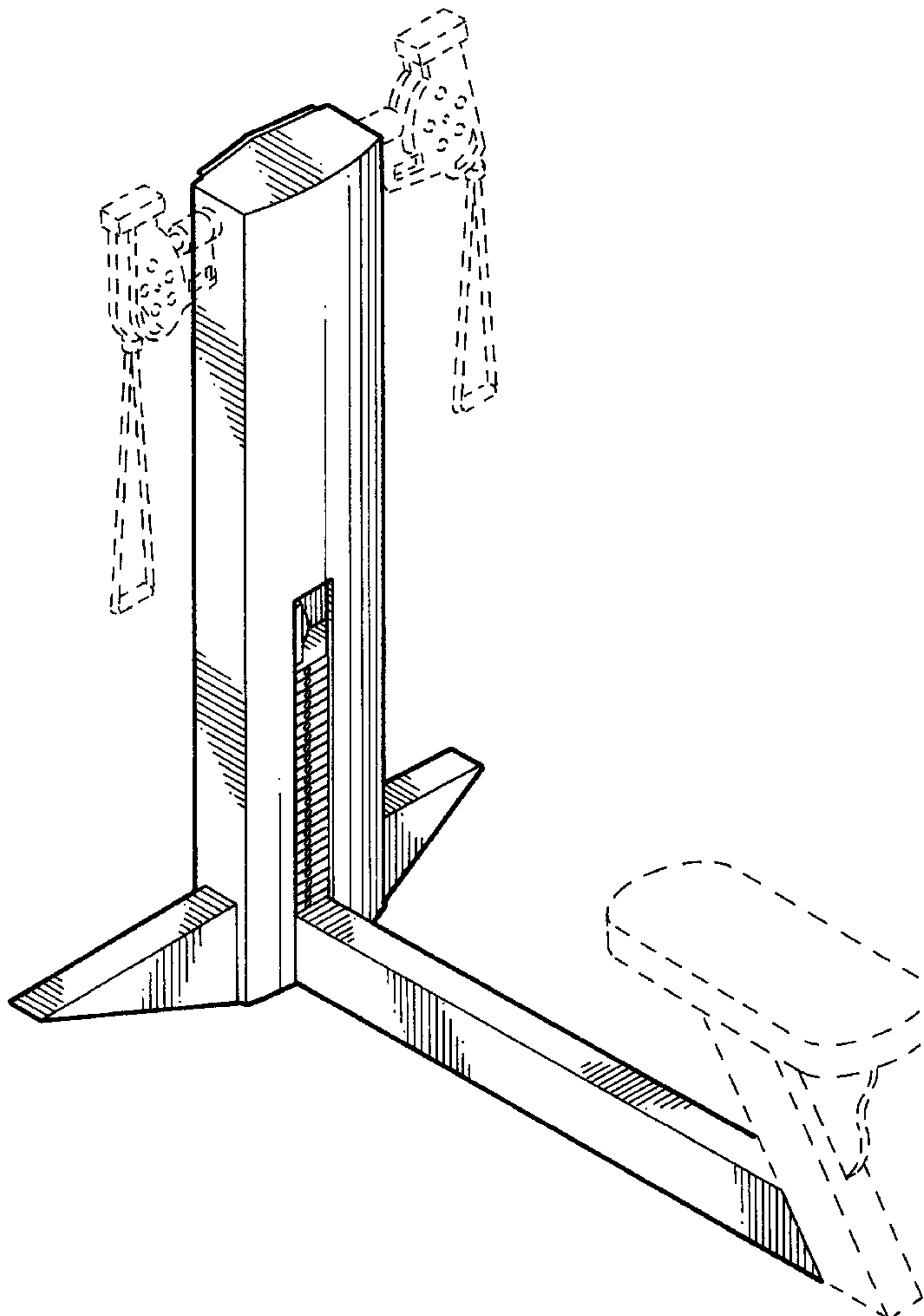
The ornamental design for an exercise apparatus having single tower and support, as shown and described.

**DESCRIPTION**

FIG. 1 is a front perspective view of the exercise apparatus having a single tower and support showing my design; FIG. 2 is a left side elevational view thereof, wherein the right side elevational view is a mirror image thereof; FIG. 3 is a front view of the design of FIG. 1; FIG. 4 is a rear view of the design of FIG. 1; FIG. 5 is a top view of the design of FIG. 1; and, FIG. 6 is a bottom view of the design of FIG. 1.

The broken line portions of the drawing disclosure are for illustrative purposes only and form no part of the claimed design.

**1 Claim, 5 Drawing Sheets**



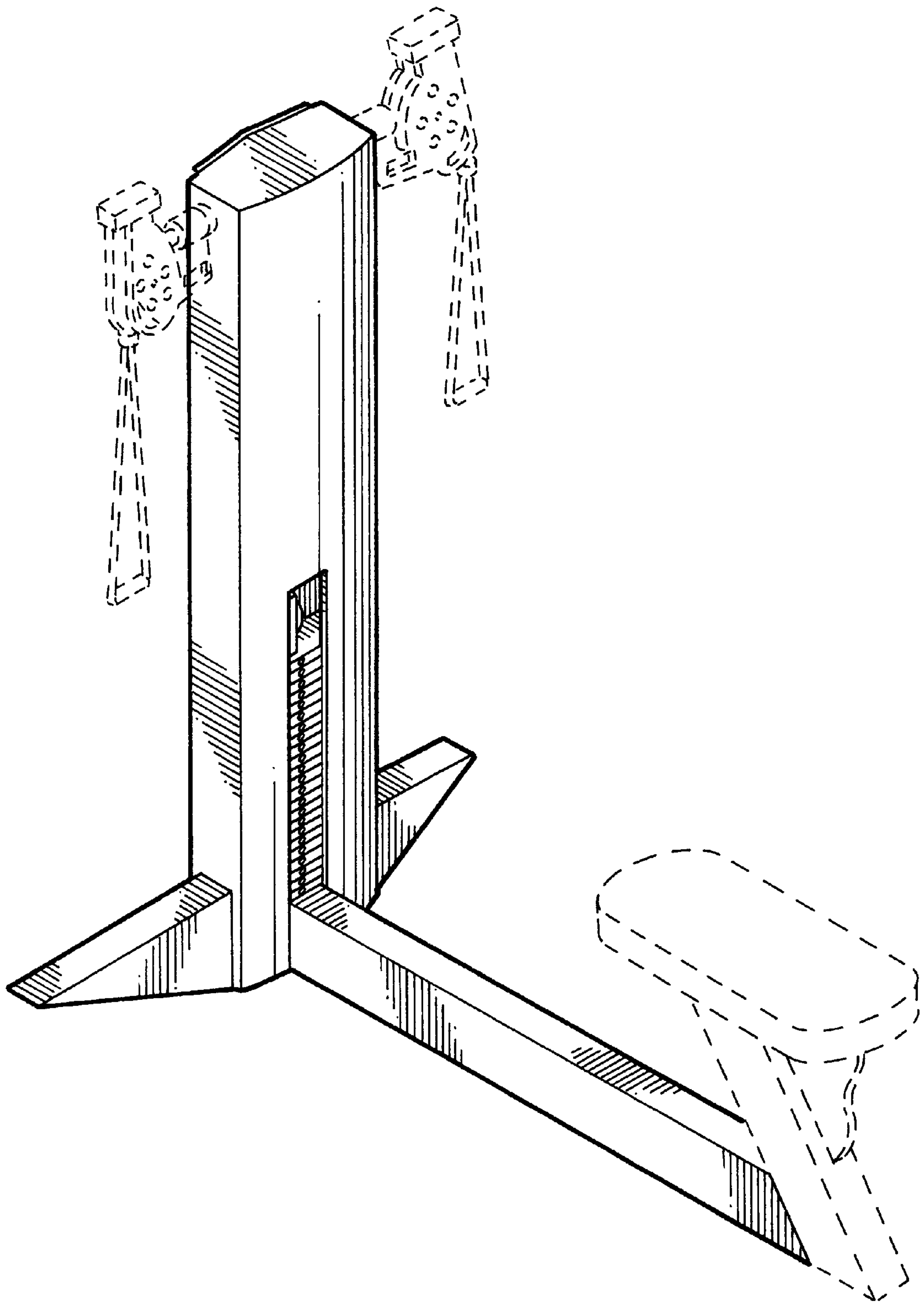


FIG. 1

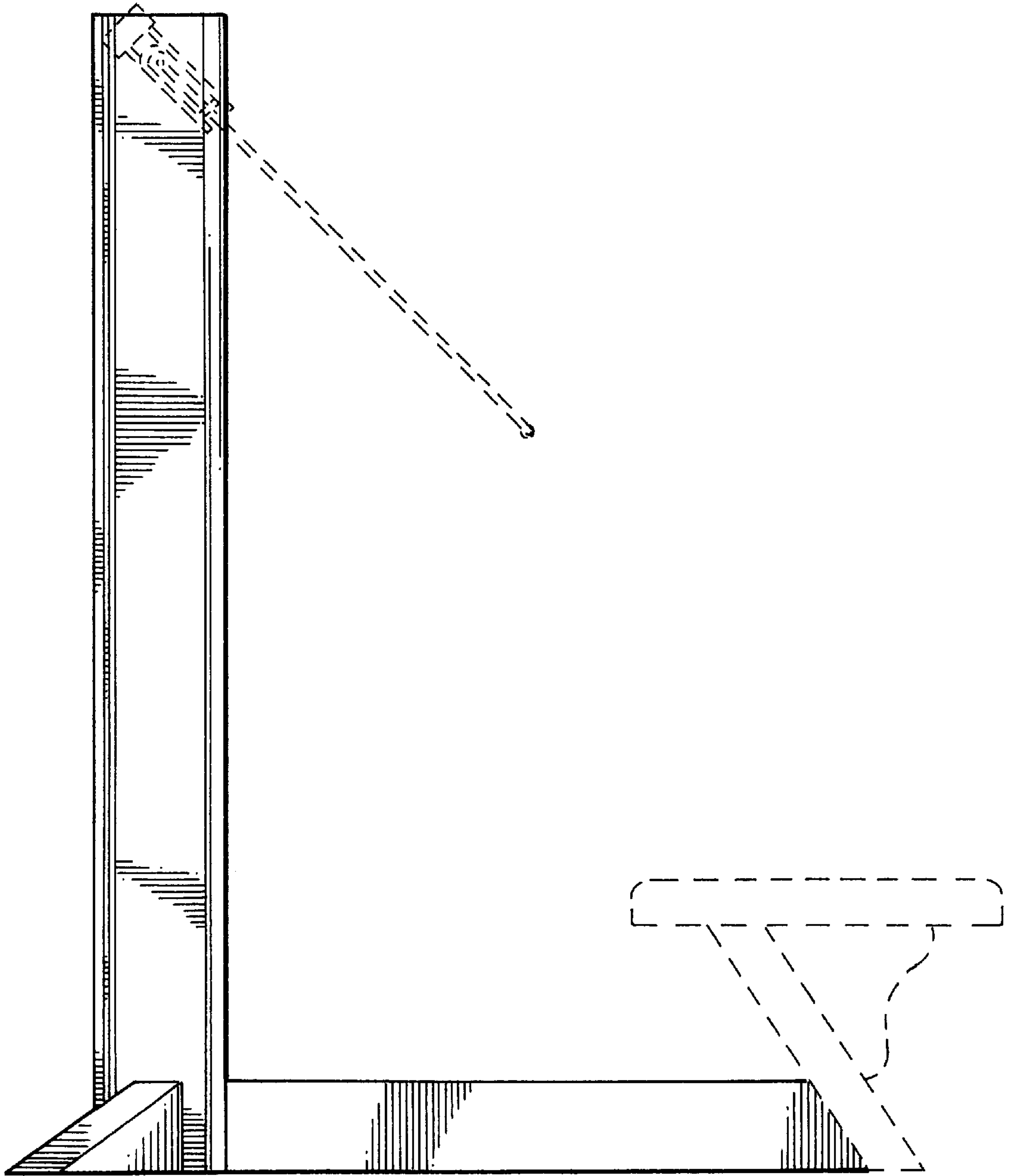


FIG. 2

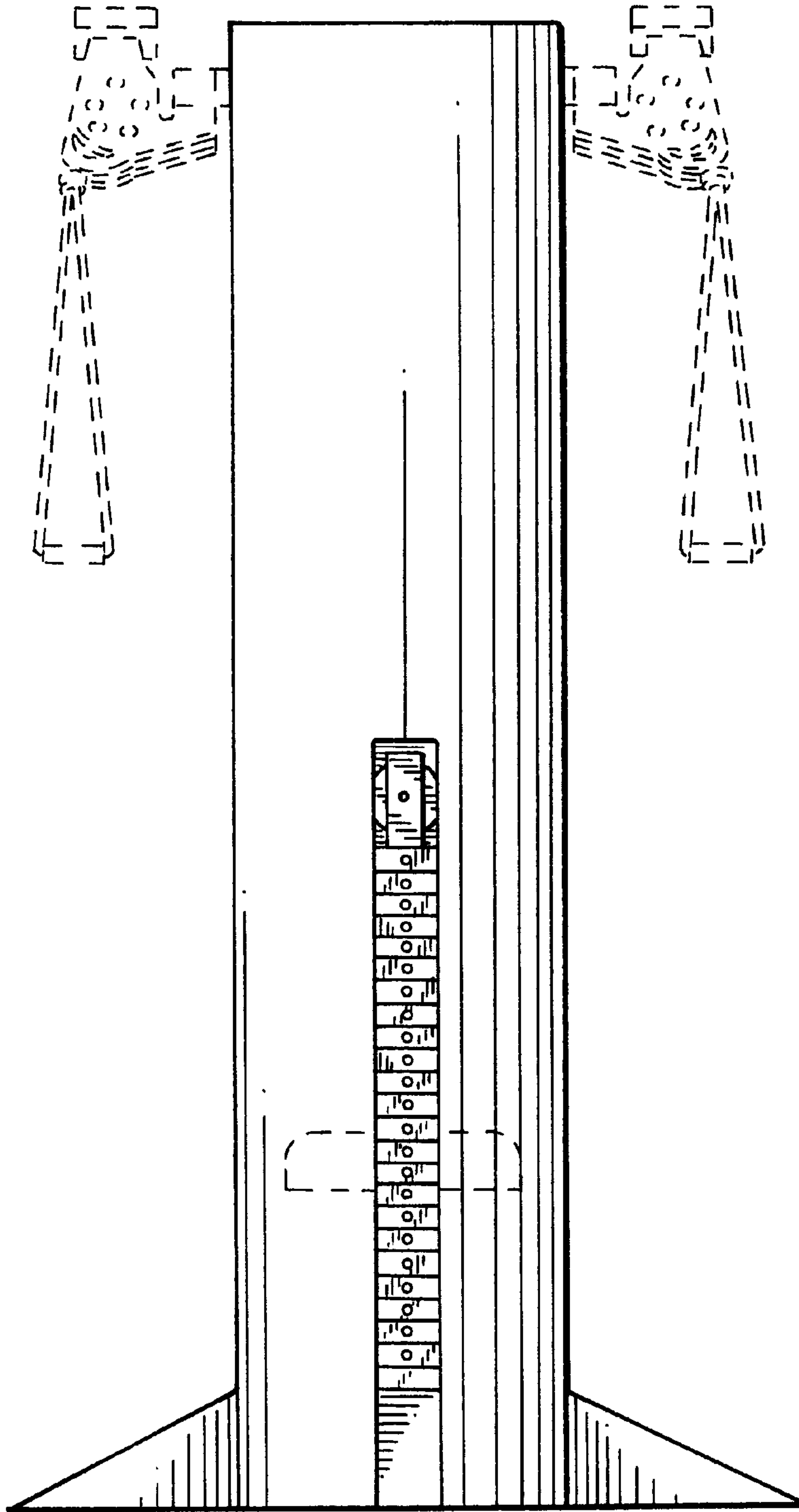


FIG. 3

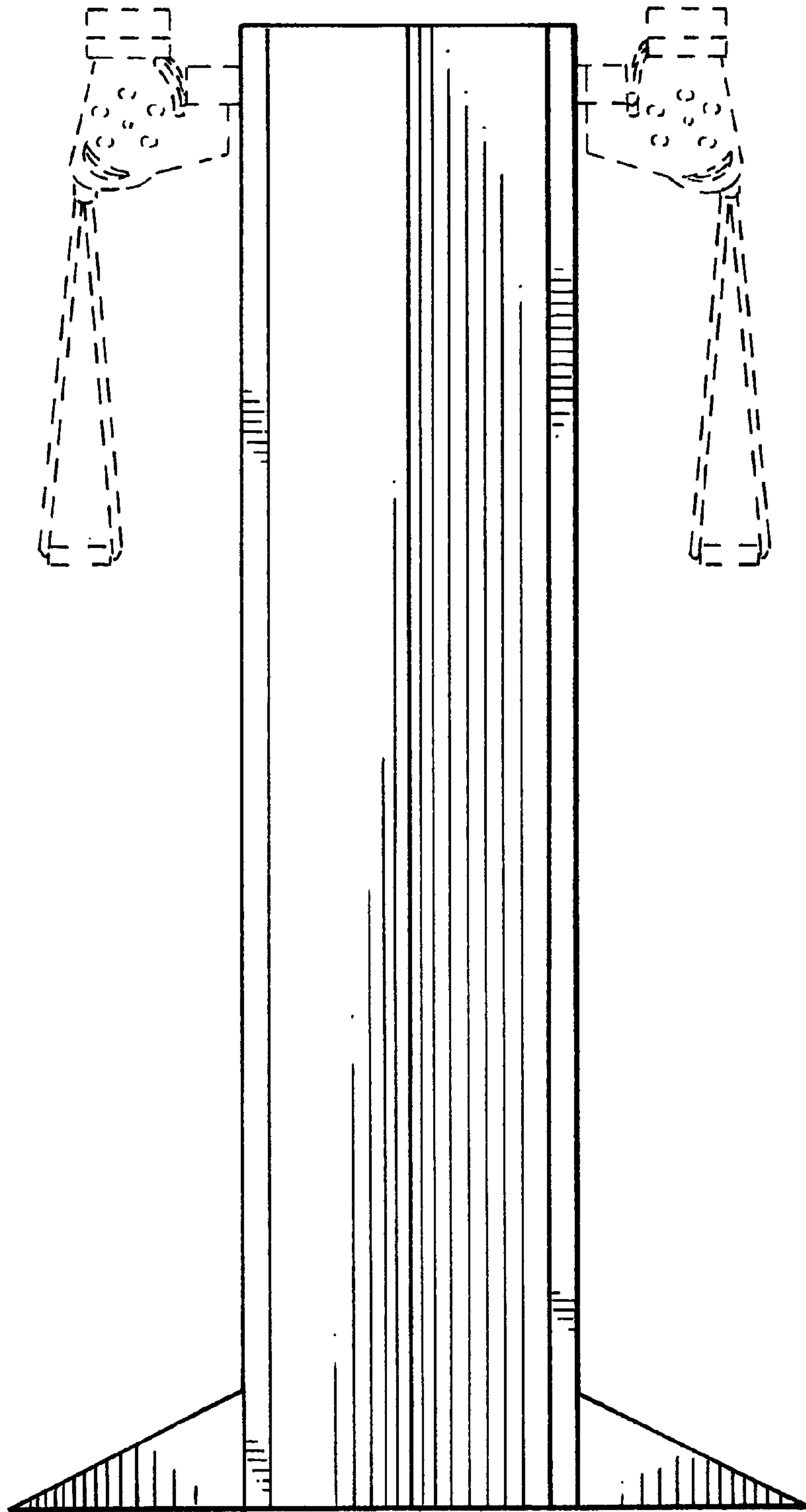


FIG. 4

