



US00D428947S

# United States Patent [19]

[11] Patent Number: **Des. 428,947**

Harms et al.

[45] Date of Patent: **\*\* Aug. 1, 2000**

[54] **WEIGHT PLATE**

[75] Inventors: **Robert E. Harms**, Houston; **Louis Lien**; **Annie Wu**, both of Hou., all of Tex.

[73] Assignee: **USA Sports, Inc.**, Houston, Tex.

[\*\*] Term: **14 Years**

[21] Appl. No.: **29/106,222**

[22] Filed: **Jun. 9, 1999**

[51] **LOC (7) Cl.** ..... **21-02**

[52] **U.S. Cl.** ..... **D21/680; D21/681**

[58] **Field of Search** ..... **D21/662, 679, D21/680, 681, 682, 683; 482/104, 105, 106, 107, 108, 92, 93**

### [56] **References Cited**

#### U.S. PATENT DOCUMENTS

D. 194,042	11/1962	Guthormsen	.....	D21/680
D. 216,517	1/1970	Dorn	.....	D21/680
D. 274,283	6/1984	Wright	.....	D21/680
D. 278,358	4/1985	Zwilling	.....	D21/680
D. 299,373	1/1989	Parker et al.	.....	D21/682
D. 309,763	8/1990	Solloway	.....	D21/678
D. 354,322	1/1995	Vodhanel, Jr.	.....	D21/681
D. 355,007	1/1995	Rojas et al.	.....	D21/680
D. 377,202	1/1997	Rohan	.....	D21/679
D. 405,484	2/1999	Rojas et al.	.....	D21/681
1,047,212	12/1912	Hamilton	.	
2,244,351	6/1941	Venables	.	
2,447,218	8/1948	Trzesniewski	.	
2,676,802	4/1954	O'Brien	.	
2,796,269	6/1957	Watson	.	
3,171,652	3/1965	Newman	.	
3,226,117	12/1965	Walklet	.	
3,482,835	12/1969	Dean	.	
3,572,702	3/1971	Dorn	.	
3,771,785	11/1973	Speyer	.	
3,796,431	3/1974	Sinyard	.	
3,913,908	10/1975	Speyer	.	

3,971,555	7/1976	Mahnke	.	
4,079,932	3/1978	Schuetz	.	
4,199,140	4/1980	Ferretti	.....	482/106
4,231,569	11/1980	Rae	.	
4,311,306	1/1982	Solloway	.	
4,369,968	1/1983	Price	.	
4,373,717	2/1983	Lambert, Jr.	.	
4,455,020	6/1984	Schnell	.	
4,482,151	11/1984	Zwilling	.	
4,515,364	5/1985	Rotella	.	
4,625,959	12/1986	Schleffendorf	.	
4,673,179	6/1987	Pengler	.	
4,756,526	7/1988	Broussard	.	
4,817,944	4/1989	Anderson et al.	.	
4,828,256	5/1989	Lee	.	
4,854,575	8/1989	Wilson et al.	.	
4,880,229	11/1989	Broussard	.	
5,137,502	8/1992	Anastasi	.....	482/106
5,464,379	11/1995	Zarecky	.....	482/108
5,573,484	11/1996	Carpenter	.....	482/108
5,741,208	4/1998	Anastasi	.....	482/106
5,853,355	12/1998	Standish	.....	482/106

*Primary Examiner*—Philip S. Hyder  
*Attorney, Agent, or Firm*—Nick A. Nichols, Jr.

### [57] **CLAIM**

The ornamental design for a weight plate, as shown and described.

### **DESCRIPTION**

FIG. 1 is a perspective view of a weight plate showing our new design;  
FIG. 2 is a front view thereof, the opposite side being a mirror image;  
FIG. 3 is a top view thereof, the opposite side being a mirror image;  
FIG. 4 is a side view thereof, the opposite side being a mirror image; and,  
FIG. 5 is a cross-sectional view of the weight plate shown in FIG. 2.

**1 Claim, 2 Drawing Sheets**

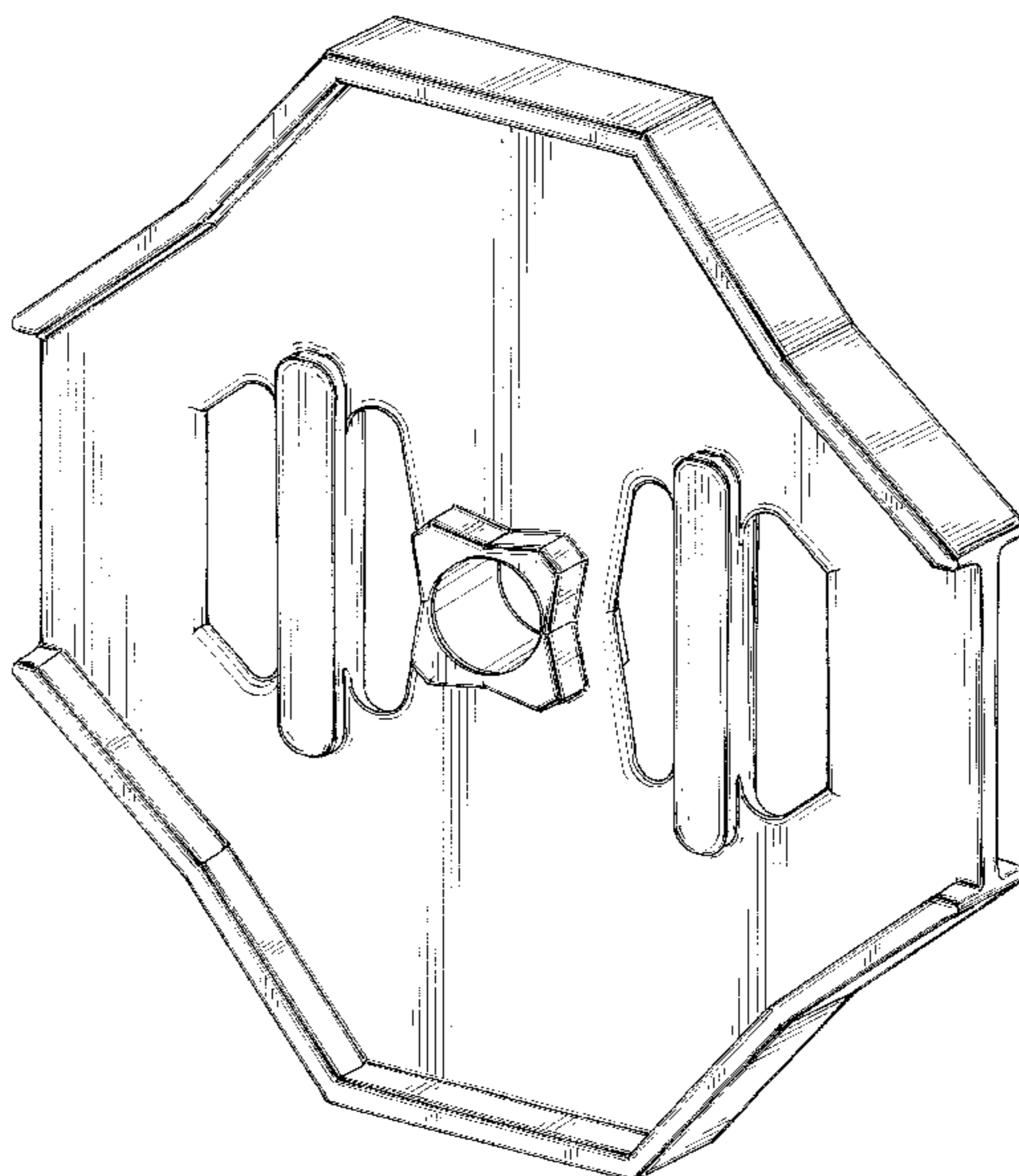


FIG. 1

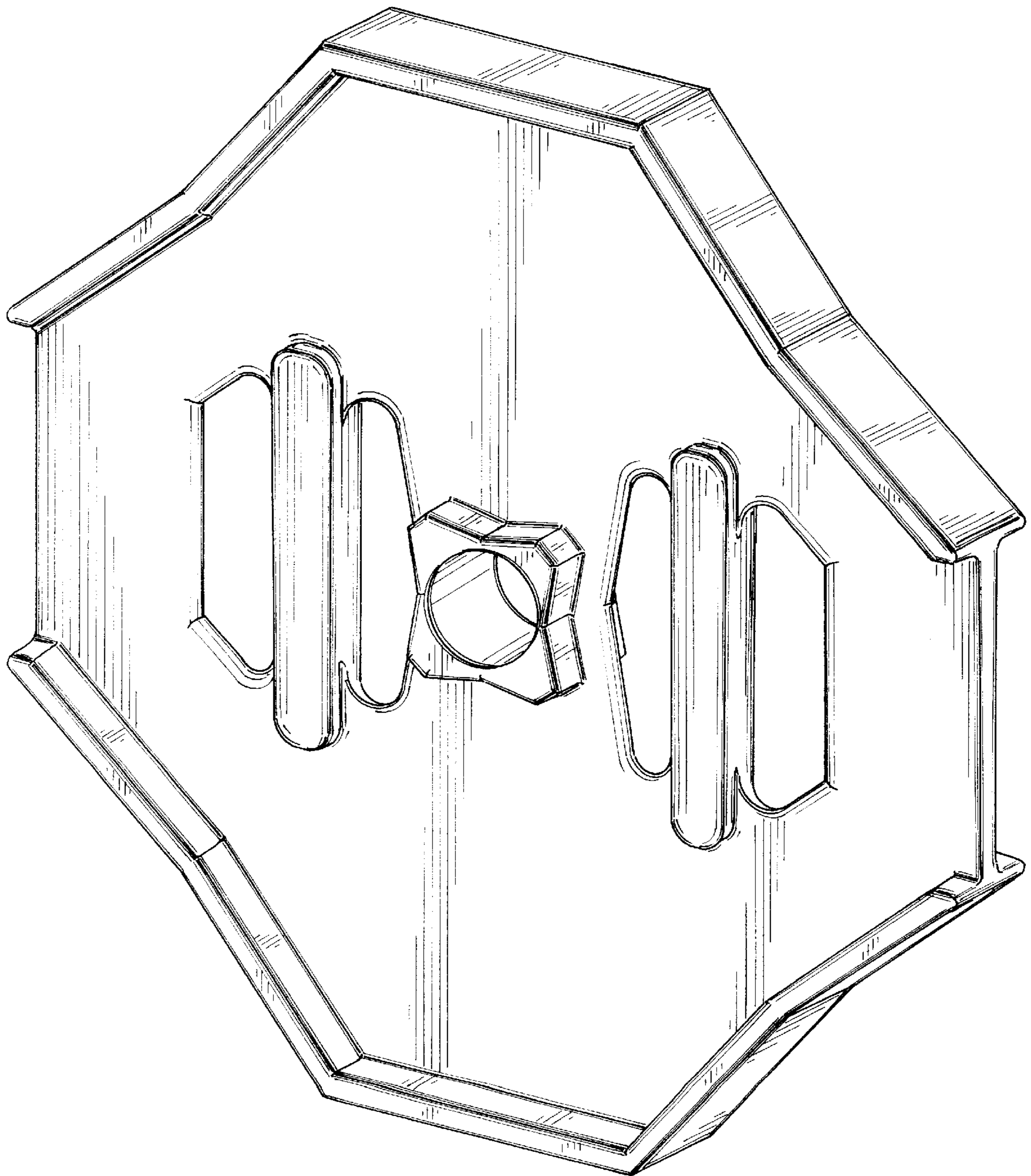


FIG. 3



FIG. 2

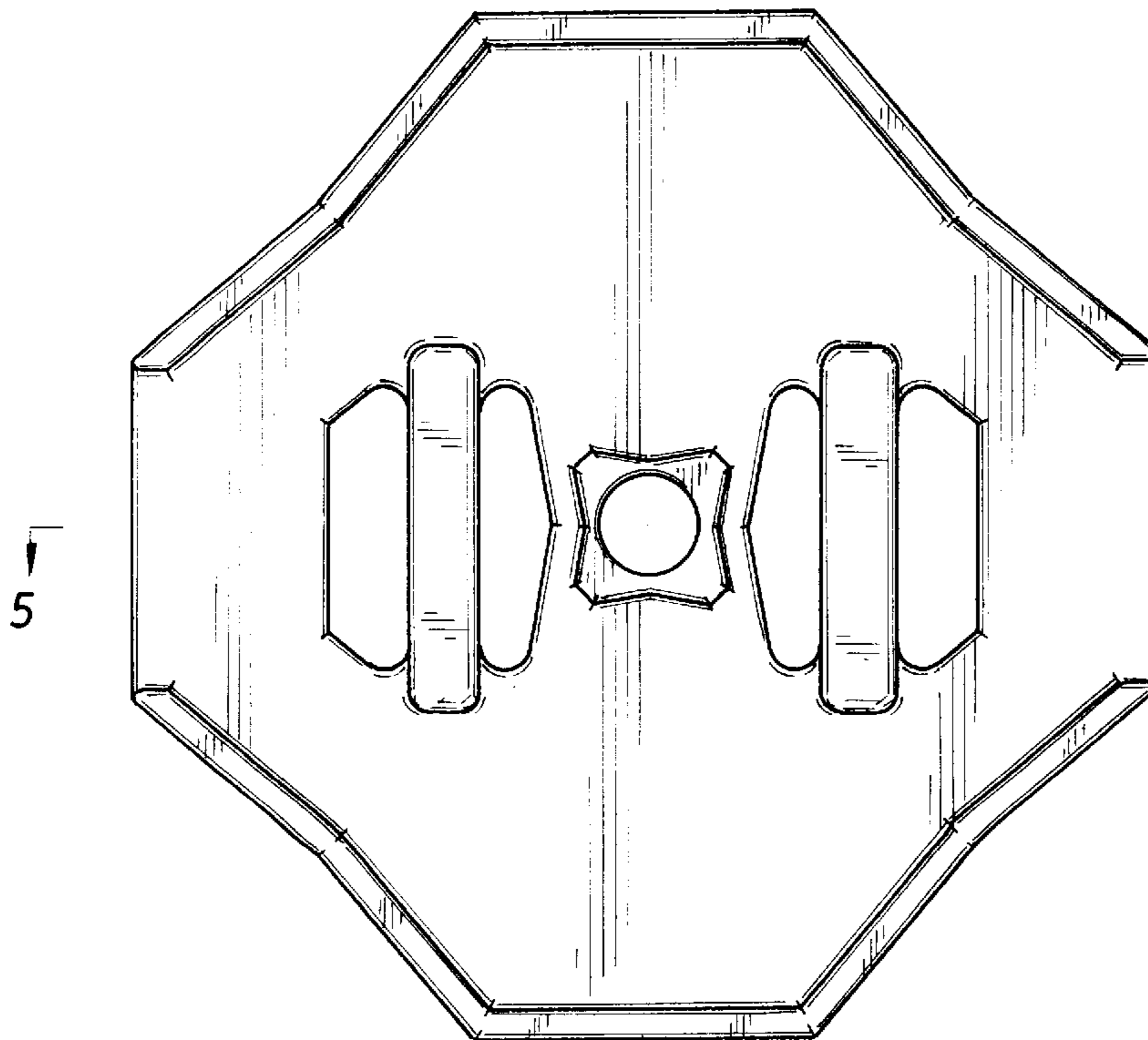


FIG. 4

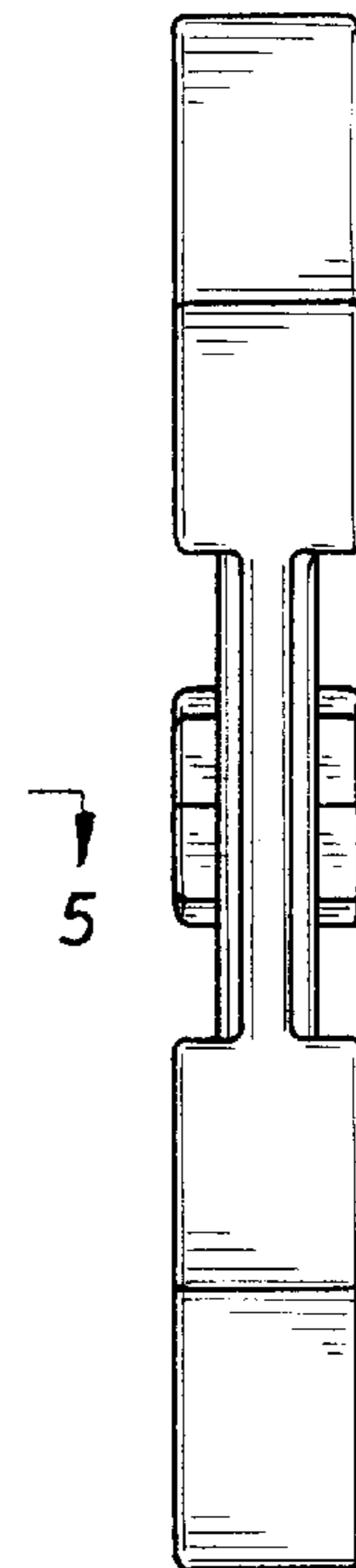


FIG. 5