



US00D428944S

United States Patent [19]

[11] **Patent Number: Des. 428,944**

Einsel et al.

[45] **Date of Patent: ** Aug. 1, 2000**

[54] **HOOP TOY**

Attorney, Agent, or Firm—Wells, St. John, Roberts, Gregory & Matkin, P.S.

[76] Inventors: **Mary E. Einsel**, 4408 W. Pinto Rd., Cheney, Wash. 99004; **Barbara E. Kinney**, 5304 W. Lawton Rd., Spokane, Wash. 99224

[57] **CLAIM**

The ornamental design for a hoop toy, as shown and described.

[**] Term: **14 Years**

DESCRIPTION

[21] Appl. No.: **29/112,414**

A hoop toy is disclosed that has utility as a play device in which a stick portion with an ornamental boot shape configuration has a pusher portion used to move a decorative hoop.

[22] Filed: **Oct. 14, 1999**

[51] **LOC (7) Cl.** **21-01**

FIG. 1 is a front perspective view of the push stick, shown separately for clarity of illustration;

[52] **U.S. Cl.** **D21/457**

FIG. 2 is a rear elevation view thereof;

[58] **Field of Search** D21/457; 446/450, 446/452, 453

FIG. 3 is a side elevation view thereof, the opposite side being a mirror image;

[56] **References Cited**

U.S. PATENT DOCUMENTS

D. 124,011	12/1940	Carter	D21/457
D. 205,364	7/1966	Schramm	D21/457
D. 206,599	1/1967	Turner	D21/457
D. 227,025	5/1973	Castro	D21/457
D. 274,448	6/1984	Mutch	D21/457
3,049,833	8/1962	Felsch	446/450
4,913,677	4/1990	Brasier et al.	446/453

FIG. 4 is a top plan view thereof;

FIG. 5 is a bottom plan view thereof;

FIG. 6 is a perspective view of a hoop, shown separately for clarity of illustration;

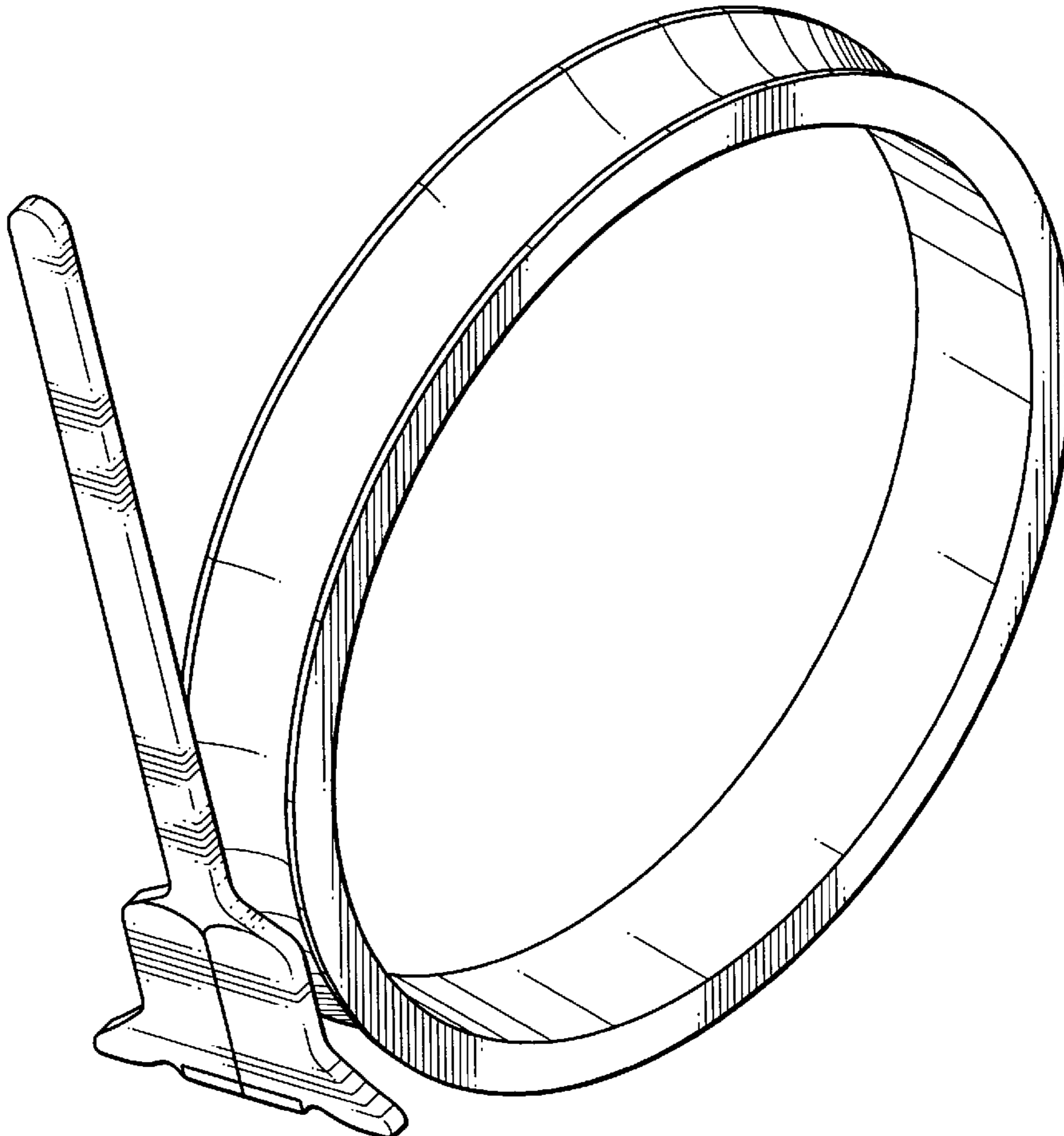
FIG. 7 is a side elevation view of FIG. 6, the opposite side being a mirror image;

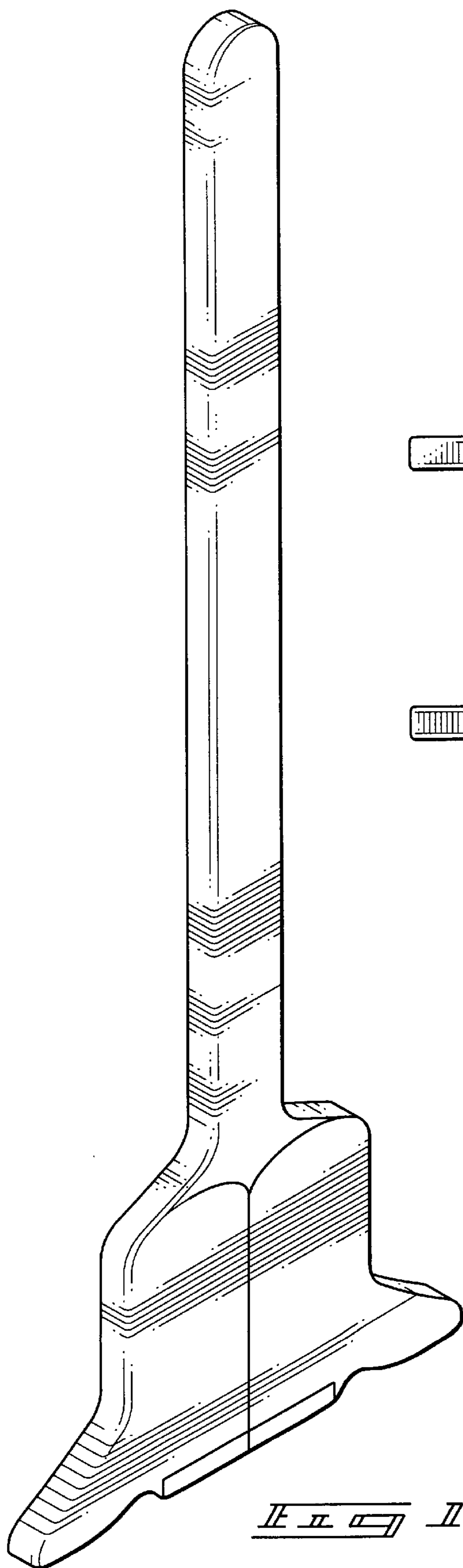
FIG. 8 is a top plan view of FIG. 6, the bottom being a mirror image; and,

FIG. 9 is a perspective view of a hoop toy showing our new design.

Primary Examiner—Dominic Simone

1 Claim, 5 Drawing Sheets





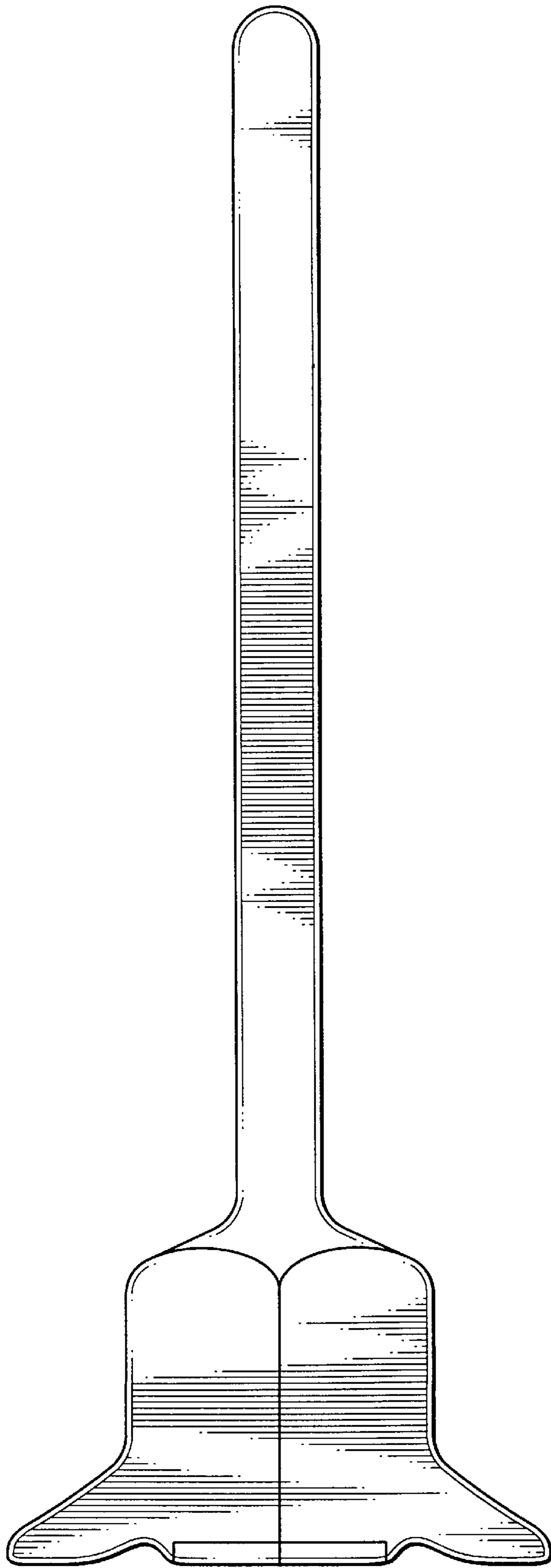


Fig. 2

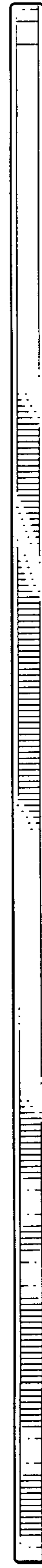


Fig. 3

