



US00D428939S

# United States Patent [19]

Ota et al.

[11] Patent Number: **Des. 428,939**

[45] Date of Patent: **\*\* Aug. 1, 2000**

[54] **CARTRIDGE FOR GAME MACHINE**

[75] Inventors: **Masahiko Ota; Takashi Ohno**, both of Kyoto, Japan

[73] Assignee: **Nintendo Co., Ltd.**, Japan

[\*\*] Term: **14 Years**

[21] Appl. No.: **29/100,207**

[22] Filed: **Feb. 5, 1999**

[51] **LOC (7) Cl.** ..... **21-01**

[52] **U.S. Cl.** ..... **D21/332**

[58] **Field of Search** ..... D14/114, 120, D14/121, 217, 299; D21/332, 333; 273/148 B; 463/1, 30, 43-47; 360/132, 133; 242/348, 341, 335; 369/291, 292, 77.2, 25.1

[56] **References Cited**

**U.S. PATENT DOCUMENTS**

- D. 315,903 4/1991 Nakauma ..... D14/121
- D. 318,273 7/1991 Takaichi ..... D14/121

- D. 381,977 8/1997 Nagata et al. .... D14/121
- D. 412,187 7/1999 Nakagawa et al. .... D21/332
- 4,865,321 9/1989 Nakagawa et al. .... 463/29
- 5,362,068 11/1994 Liu ..... 463/44

*Primary Examiner*—Prabhakar Deshmukh  
*Attorney, Agent, or Firm*—Nixon & Vanderhye P.C.

[57] **CLAIM**

The ornamental design for a “cartridge for game machine,” as shown and described.

**DESCRIPTION**

FIG. 1 is a top plan view of a cartridge for a game machine; FIG. 2 is a front elevational view thereof; FIG. 3 is a rear elevational view thereof; FIG. 4 is a left side view thereof; FIG. 5 is a right side view thereof; FIG. 6 is a top, front and right side perspective view thereof; and, FIG. 7 is a top, rear and left side perspective view thereof. The bottom is unornamented.

**1 Claim, 4 Drawing Sheets**

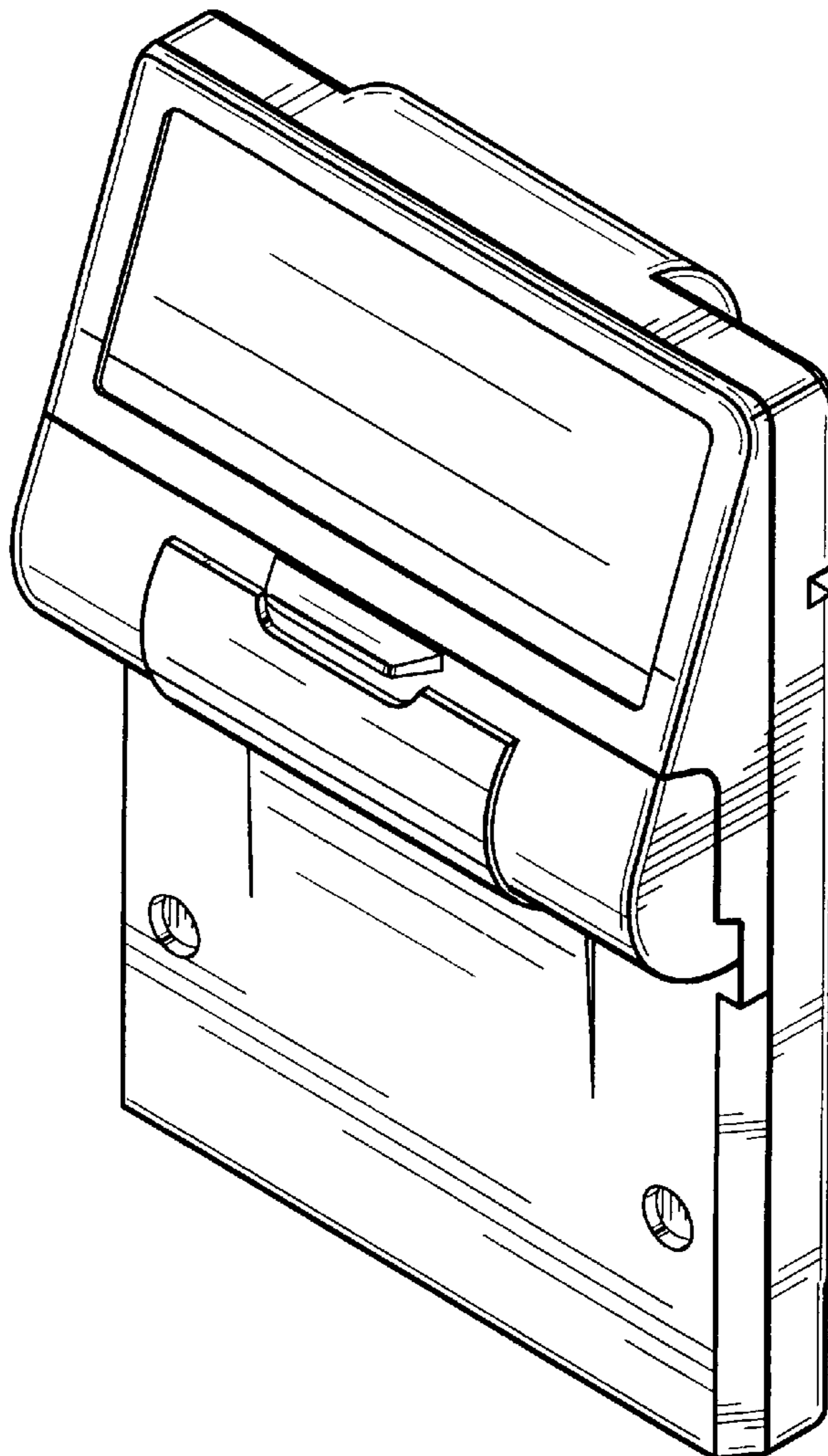




Fig. 1

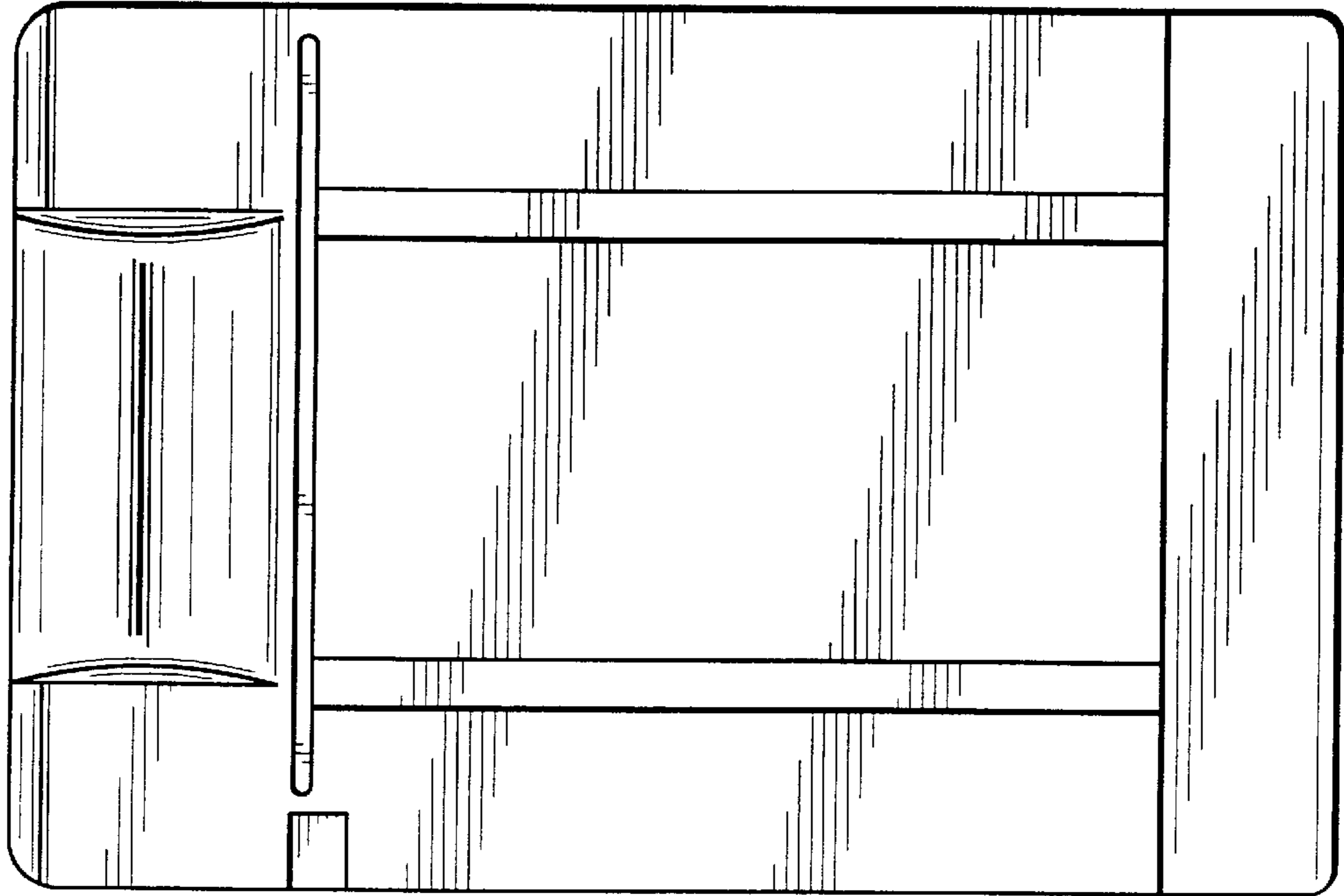


Fig. 3

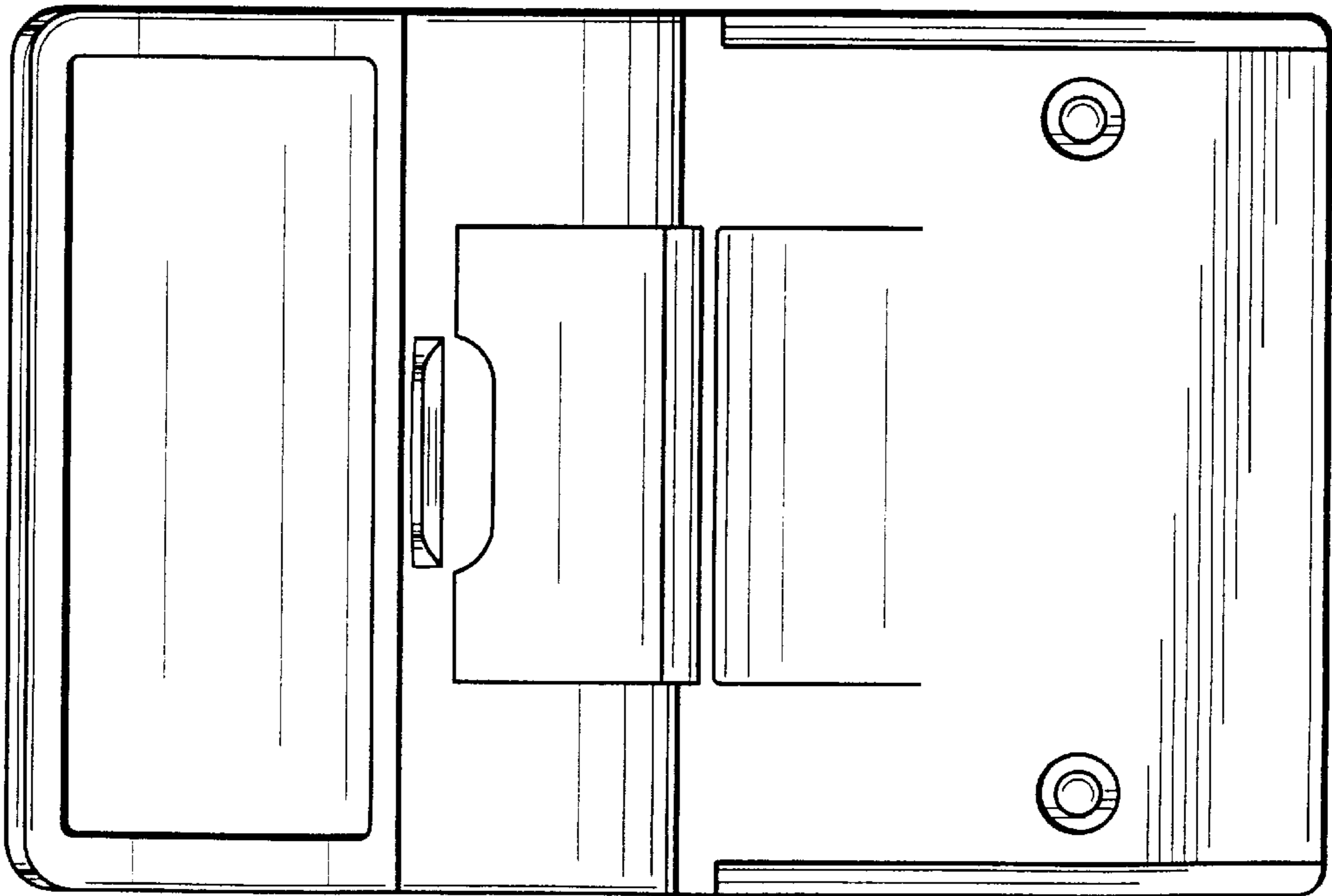


Fig. 2

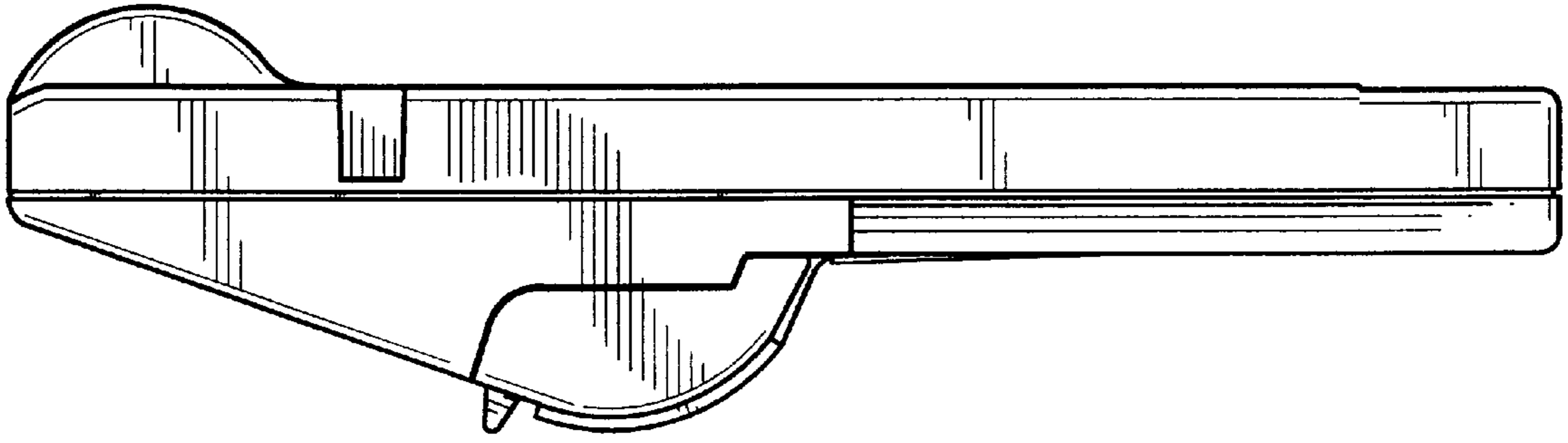


Fig.5

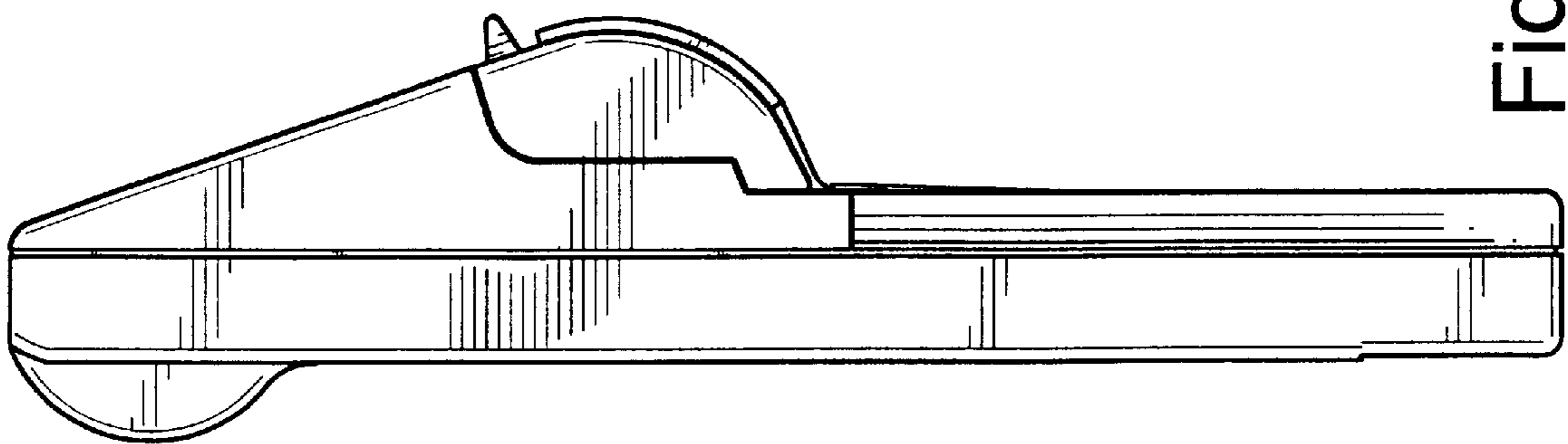


Fig.4

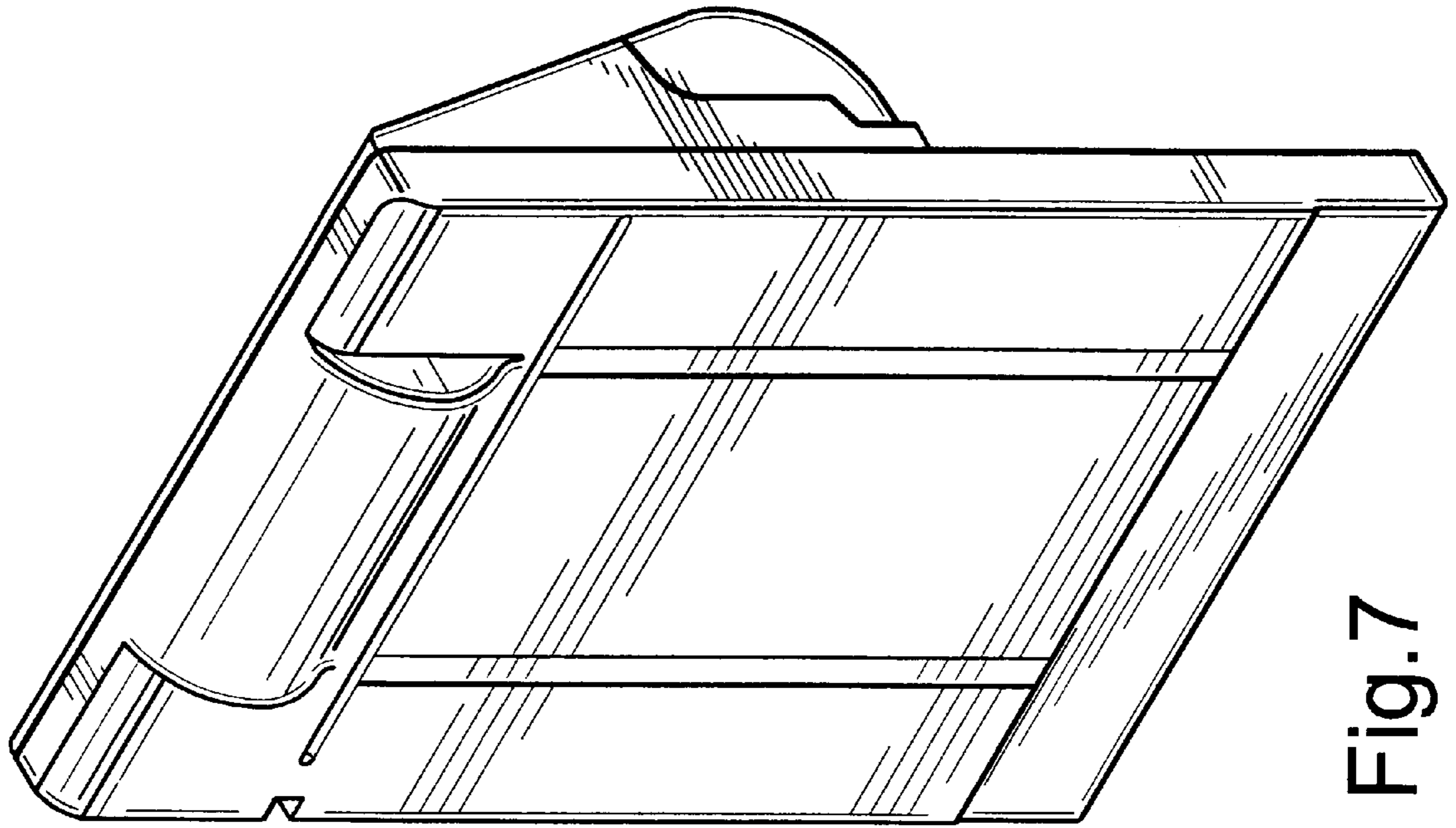


Fig. 7

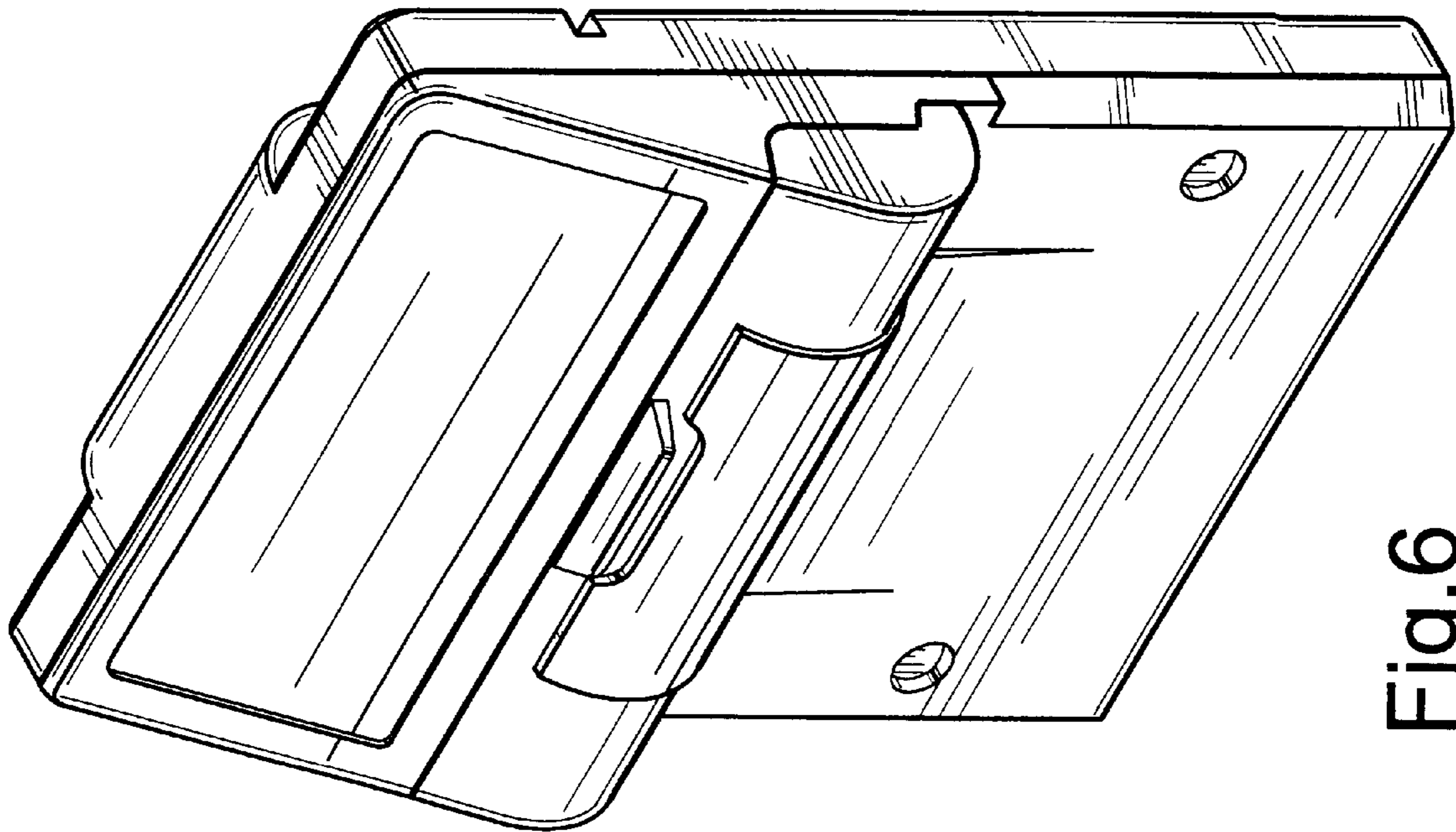


Fig. 6