



US00D428938S

United States Patent [19]

[11] Patent Number: Des. 428,938

Tomizawa

[45] Date of Patent: ** Aug. 1, 2000

[54] TRANSPARENT HAND HELD GAME MACHINE

[75] Inventor: Masao Tomizawa, Suita, Japan

[73] Assignee: SNK Corporation, Osaka, Japan

[**] Term: 14 Years

[21] Appl. No.: 29/106,273

[22] Filed: Jun. 10, 1999

[30] Foreign Application Priority Data

Dec. 16, 1998 [JP] Japan 10-36428

[51] LOC (7) Cl. 21-01

[52] U.S. Cl. D21/329

[58] Field of Search D21/324-329,
D21/333; 273/148 B; 463/1, 29-35, 46,
47; 362/109

[56] References Cited

U.S. PATENT DOCUMENTS

- D. 262,717 1/1982 Dweck D21/328
- D. 320,624 10/1991 Taylor .
- D. 328,474 8/1992 Chen .
- D. 336,315 6/1993 Kitaue .
- D. 338,045 8/1993 Rosen .
- D. 342,289 12/1993 Hara .
- D. 347,246 5/1994 Wen D21/329
- D. 349,527 8/1994 Date .
- D. 351,430 10/1994 Barr .
- D. 362,692 9/1995 Risman et al. D21/329
- D. 370,237 5/1996 Gilliam et al. .
- D. 382,914 8/1997 Ho et al. .
- D. 382,916 8/1997 Oikawa .
- D. 397,368 8/1998 Rissman .
- D. 399,884 10/1998 Schultz et al. D12/329
- D. 414,522 9/1999 Kitamori D21/329
- 5,095,798 3/1992 Okada et al. .
- 5,161,803 11/1992 Ohara .
- 5,184,830 2/1993 Okada et al. 463/29
- 5,217,295 6/1993 Tortola et al. 362/109
- 5,232,223 8/1993 Dirnbusch 273/148 B
- 5,476,261 12/1995 Hulstrand 273/148 B

FOREIGN PATENT DOCUMENTS

- 862832 12/1992 Japan .
- 1990-30330 3/1993 Japan .
- 8-1654 1/1998 Japan .
- 1998-1654 4/1998 Japan .

OTHER PUBLICATIONS

U.S. application No. 29/105,696, filed May 27, 1999, H. Kitamori.

U.S. application No. 29/088,326, filed May 20, 1998, H. Kitamori.

U.S. application No. 29/099,841, filed Jan. 29, 1999, M. Tomizawa.

HongKong Enterprise, p. 133, Oct. 1994.

Primary Examiner—Prabhakar Deshmukh
Attorney, Agent, or Firm—Sheppard, Mullin, Richter & Hampton LLP

[57] CLAIM

I claim the ornamental design for a transparent hand held game machine, as shown and described.

DESCRIPTION

FIG. 1 is a top plan view of an embodiment of a hand held game machine embodying the new design.

FIG. 2 is a right side view of the embodiment depicted in FIG. 1.

FIG. 3 is a left side view of the embodiment depicted in FIG. 1.

FIG. 4 is a front elevational view of the embodiment depicted in FIG. 1.

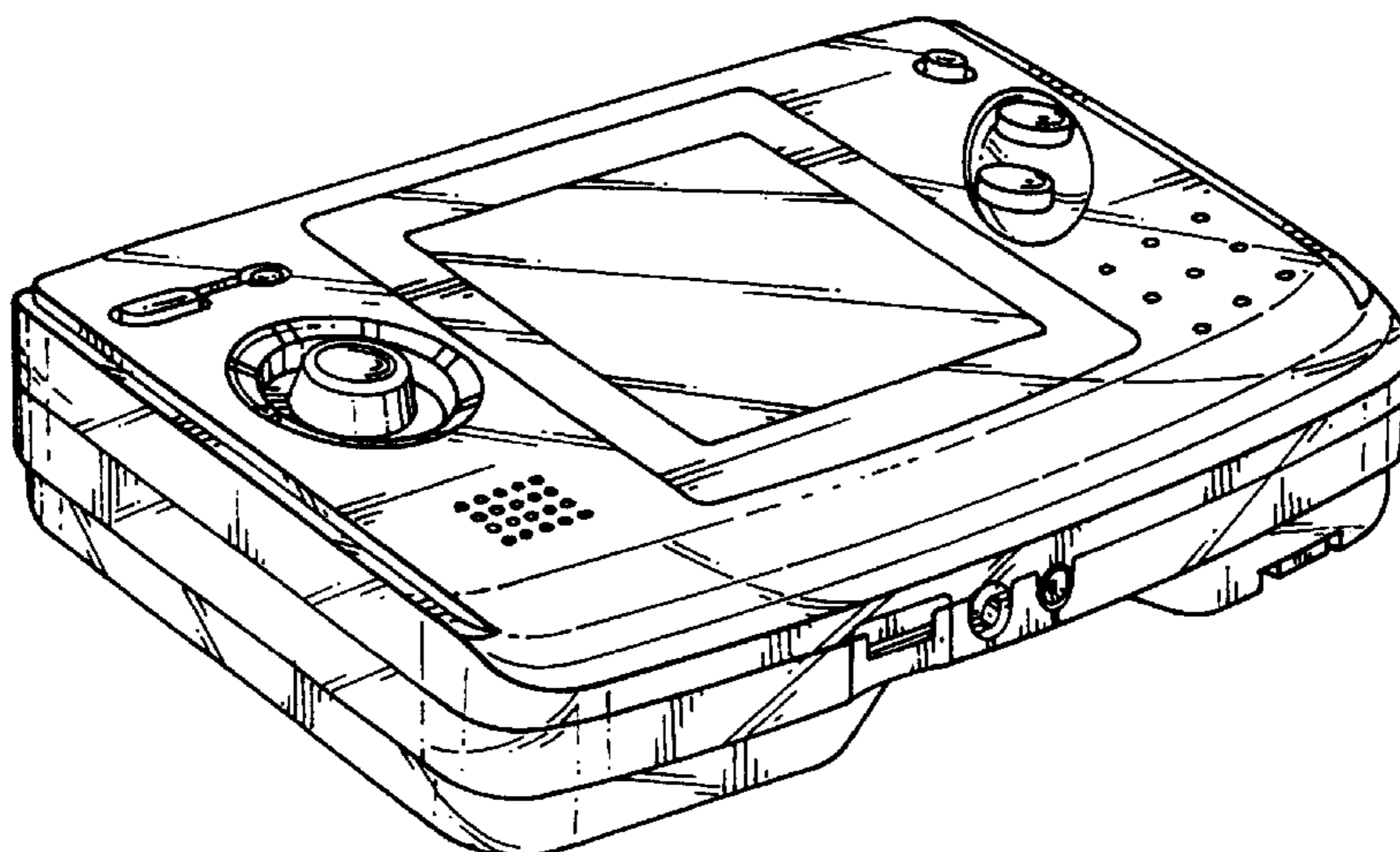
FIG. 5 is a rear view of the embodiment depicted in FIG. 1.

FIG. 6 is a perspective view of the embodiment depicted in FIG. 1; and,

FIG. 7 is a bottom plan view of the embodiment depicted in FIG. 1.

The interior of the transparent hand held game machine (i.e., the portion of the game machine visible through its transparent surfaces) forms no part of the claimed design.

1 Claim, 3 Drawing Sheets



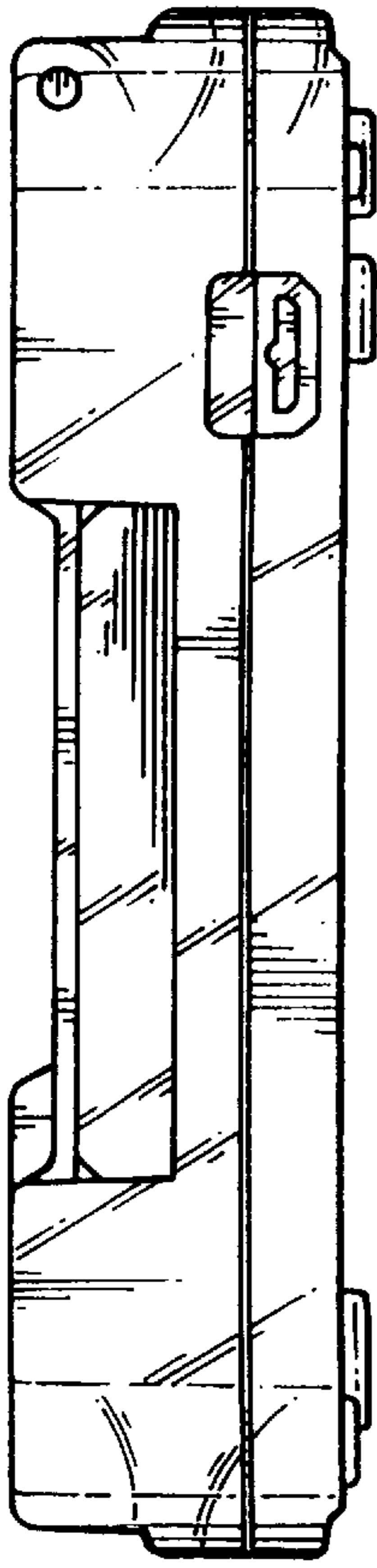


FIG. 5

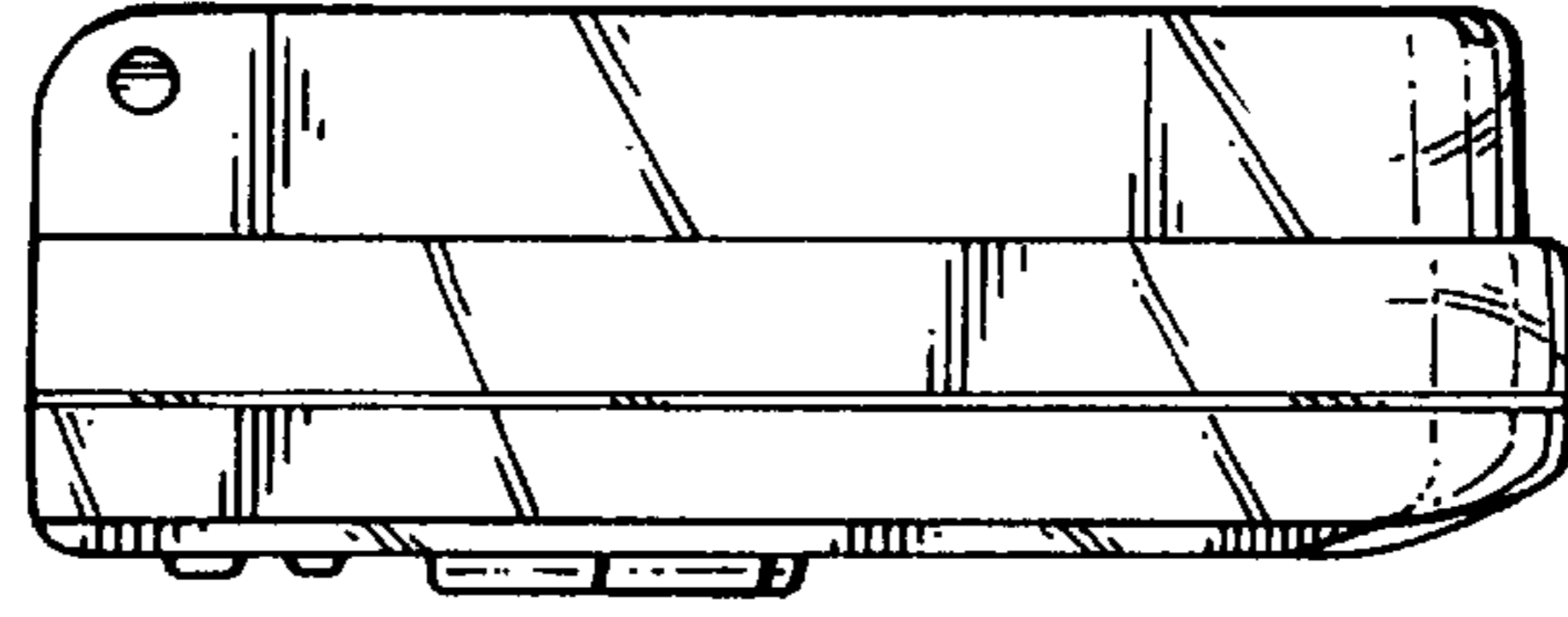


FIG. 2

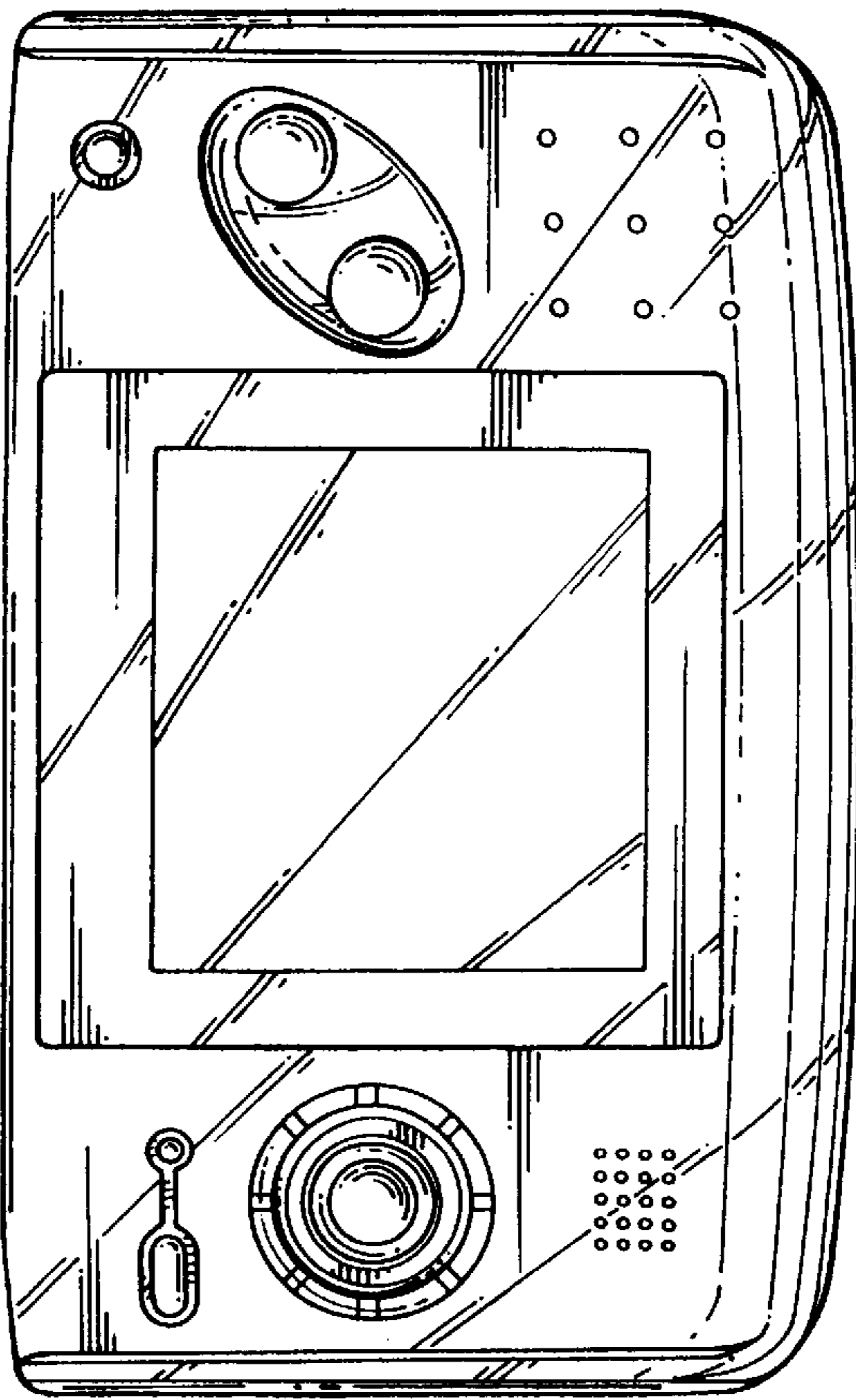


FIG. 1

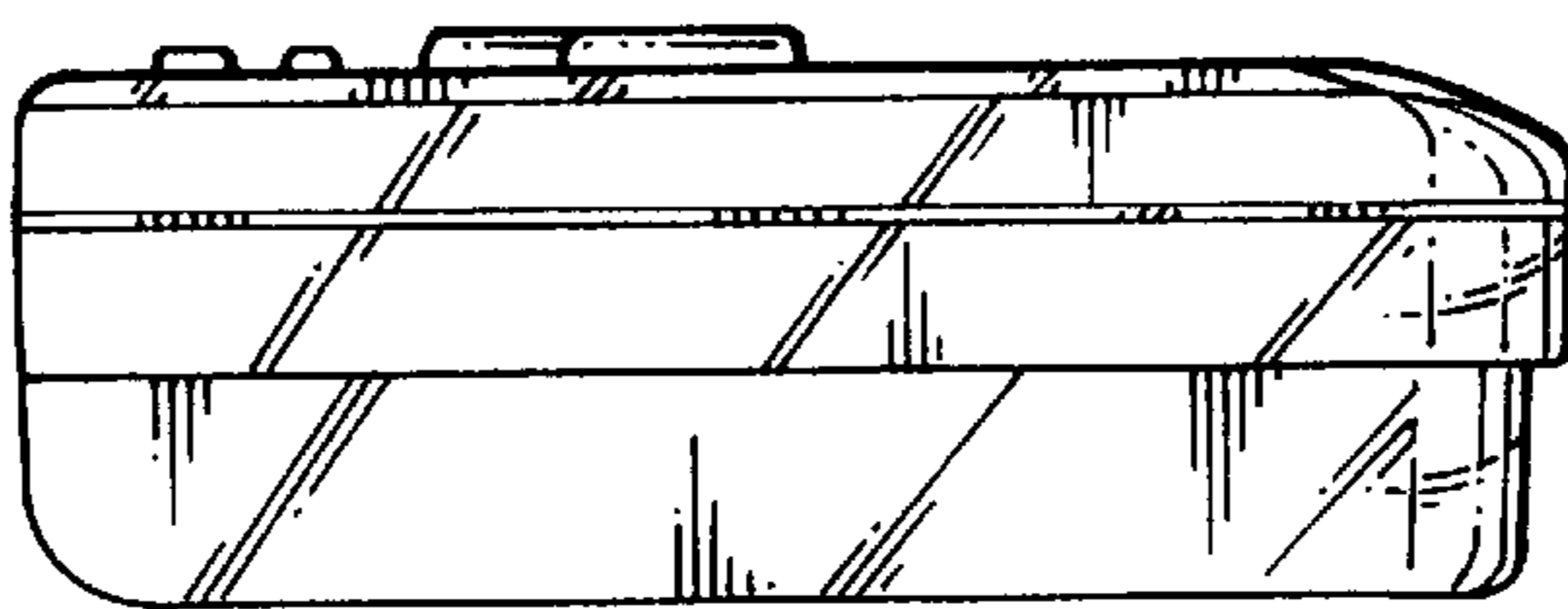


FIG. 3

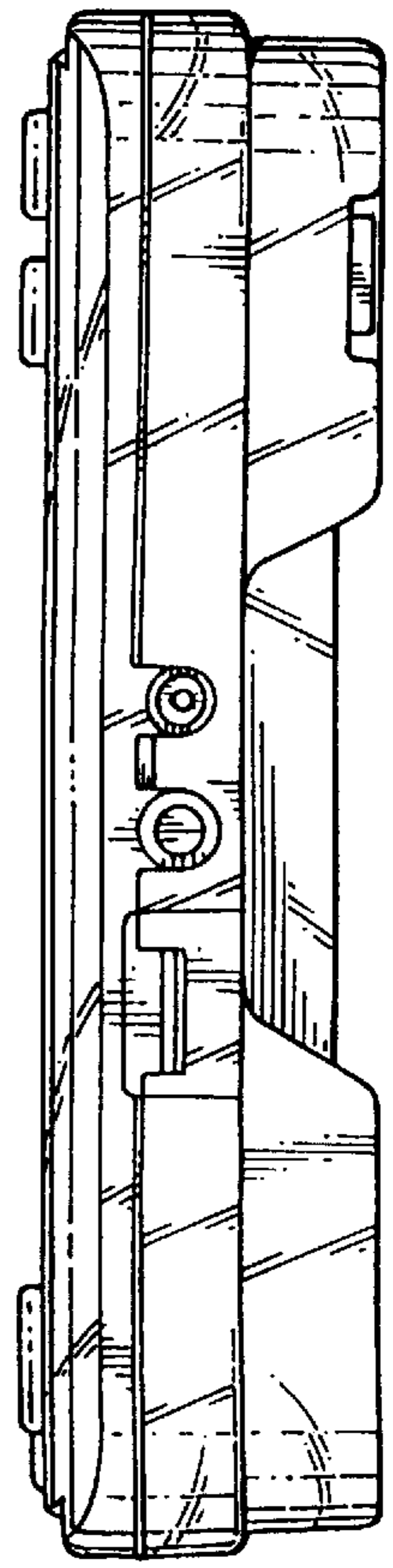


FIG. 4

FIG. 6

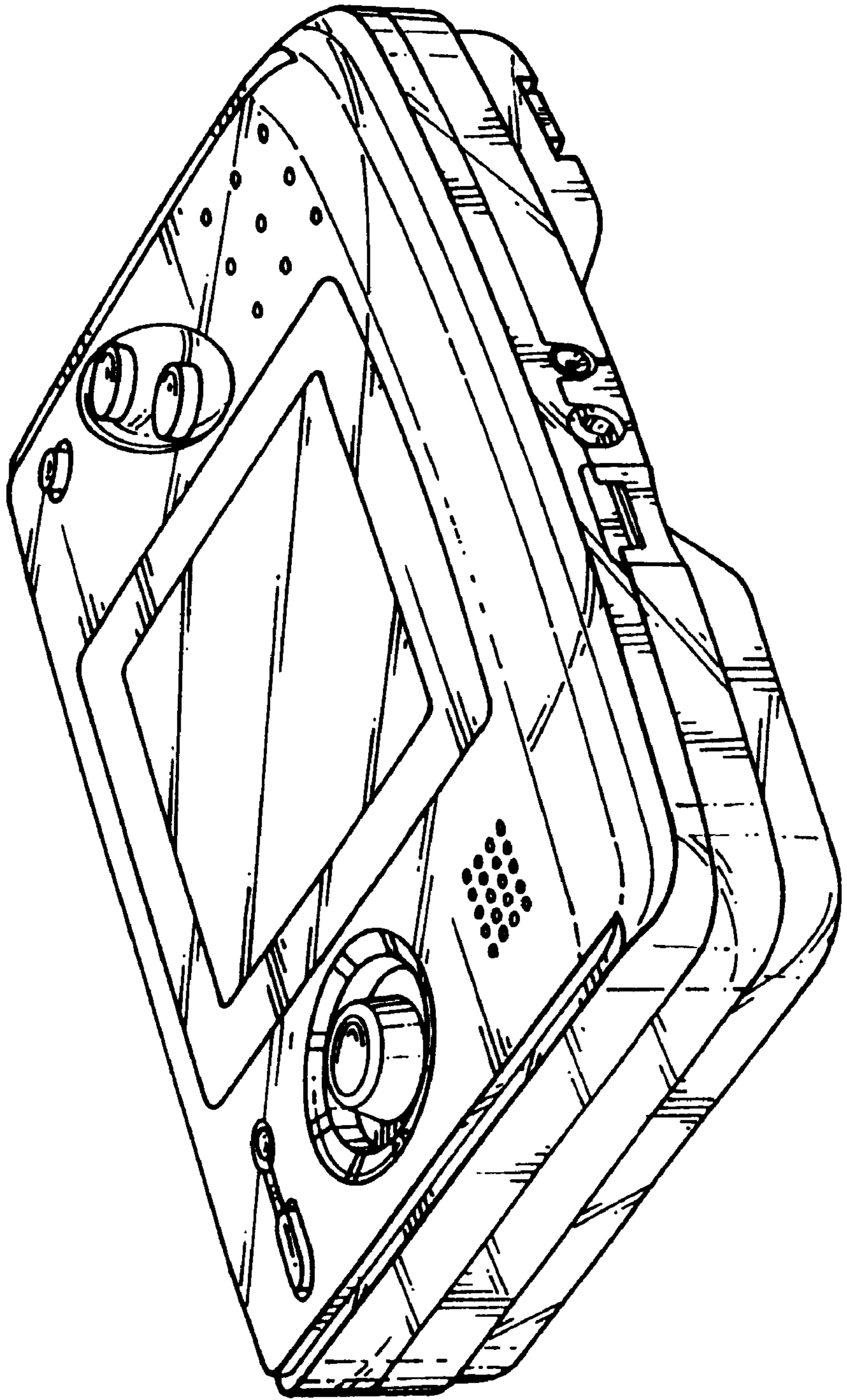


FIG. 7

