



US00D428937S

United States Patent [19]

Clemmer et al.

[11] Patent Number: Des. 428,937

[45] Date of Patent: ** Aug. 1, 2000

[54] HAND HELD ELECTRONIC GAME

[75] Inventors: **Chris Clemmer**, Dallas, Tex.; **Robert J. Civettini**, Chicago; **Donald A. Rosenwinkel**, Oak Park, both of Ill.

[73] Assignee: **Radica China Limited**, Fo Tan, The Hong Kong Special Administrative Region of the People's Republic of China

[**] Term: **14 Years**

[21] Appl. No.: **29/098,190**

[22] Filed: **Dec. 22, 1998**

[51] LOC (7) Cl. **21-01**

[52] U.S. Cl. **D21/329**

[58] Field of Search D21/324, 328, D21/329, 333; D22/134, 138, 139, 148; 463/1, 29-35, 46-52; 273/457, 148 B; 43/18.1-25

[56] **References Cited**

U.S. PATENT DOCUMENTS

D. 49,284	6/1916	Schmitt .	
D. 246,049	10/1977	Nakamura .	
D. 313,061	12/1990	Bascom et al. .	
D. 336,665	6/1993	Tugeadhaft .	
D. 343,202	1/1994	Peersmann .	
D. 347,246	5/1994	Wen .	
D. 369,387	4/1996	Stambolic et al.	D21/329
D. 371,165	6/1996	Stambolic et al.	D21/329
D. 397,371	8/1998	Bagley	D21/329
D. 397,372	8/1998	Riggs .	
D. 397,729	9/1998	Schulz et al. .	
D. 408,853	4/1999	Hornsby et al.	D21/329 X
D. 408,866	4/1999	Fai	D21/329
2,779,131	1/1957	Scheithauer .	

3,924,350	12/1975	Hsu .	
4,969,647	11/1990	Mical et al. .	
5,232,223	8/1993	Dornbusch .	
5,263,714	11/1993	Rudell et al. .	
5,334,027	8/1994	Wherlock .	
5,542,672	8/1996	Meredith	463/37
5,685,776	11/1997	Stambolic et al.	463/46
5,730,655	3/1998	Meredith .	

OTHER PUBLICATIONS

Radica: The Name of the Game; p. 5; Bass Fishin' Model 3732; 1996.

HongKong Enterprise, p. 133, Oct. 1994.

Primary Examiner—Prabhakar Deshmukh
Attorney, Agent, or Firm—Roylance, Abrams, Berdo & Goodman, L.L.P.

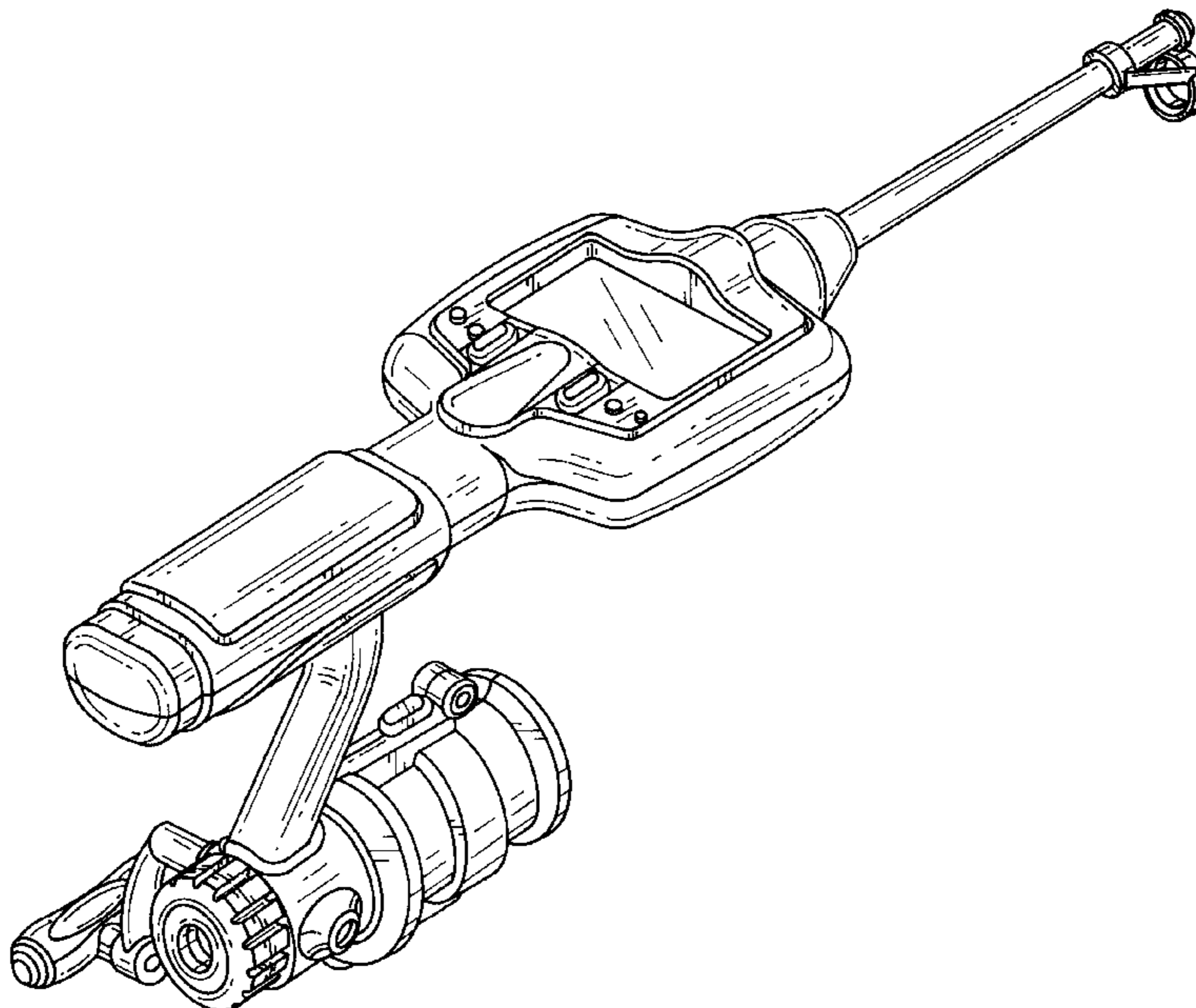
[57] **CLAIM**

The ornamental design for a hand held electronic game, as shown and described.

DESCRIPTION

FIG. 1 is a front, top, right side perspective view of a hand held electronic game in accordance with the new design; FIG. 2 is a front elevational view of the hand held electronic game illustrated in FIG. 1; FIG. 3 is a rear elevational view of the hand held electronic game illustrated in FIGS. 1 and 2; FIG. 4 is a left side elevational view of the hand held electronic game illustrated in FIGS. 1-3; FIG. 5 is a right side elevational view of the hand held electronic game illustrated in FIGS. 1-4; FIG. 6 is a top plan view of the hand held electronic game illustrated in FIGS. 1-5; and, FIG. 7 is a bottom plan view of the hand held electronic game illustrated in FIGS. 1-6.

1 Claim, 7 Drawing Sheets



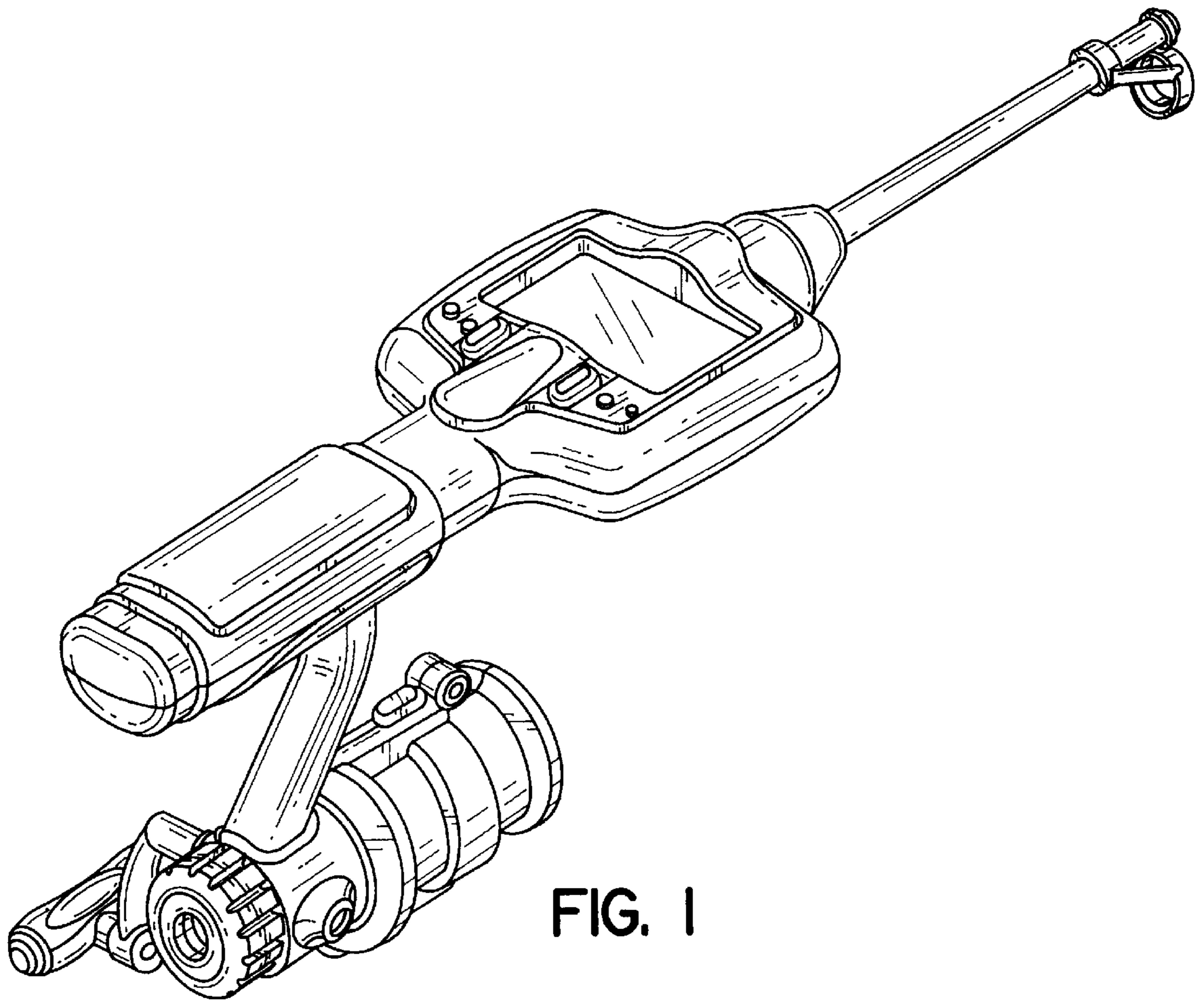


FIG. 1

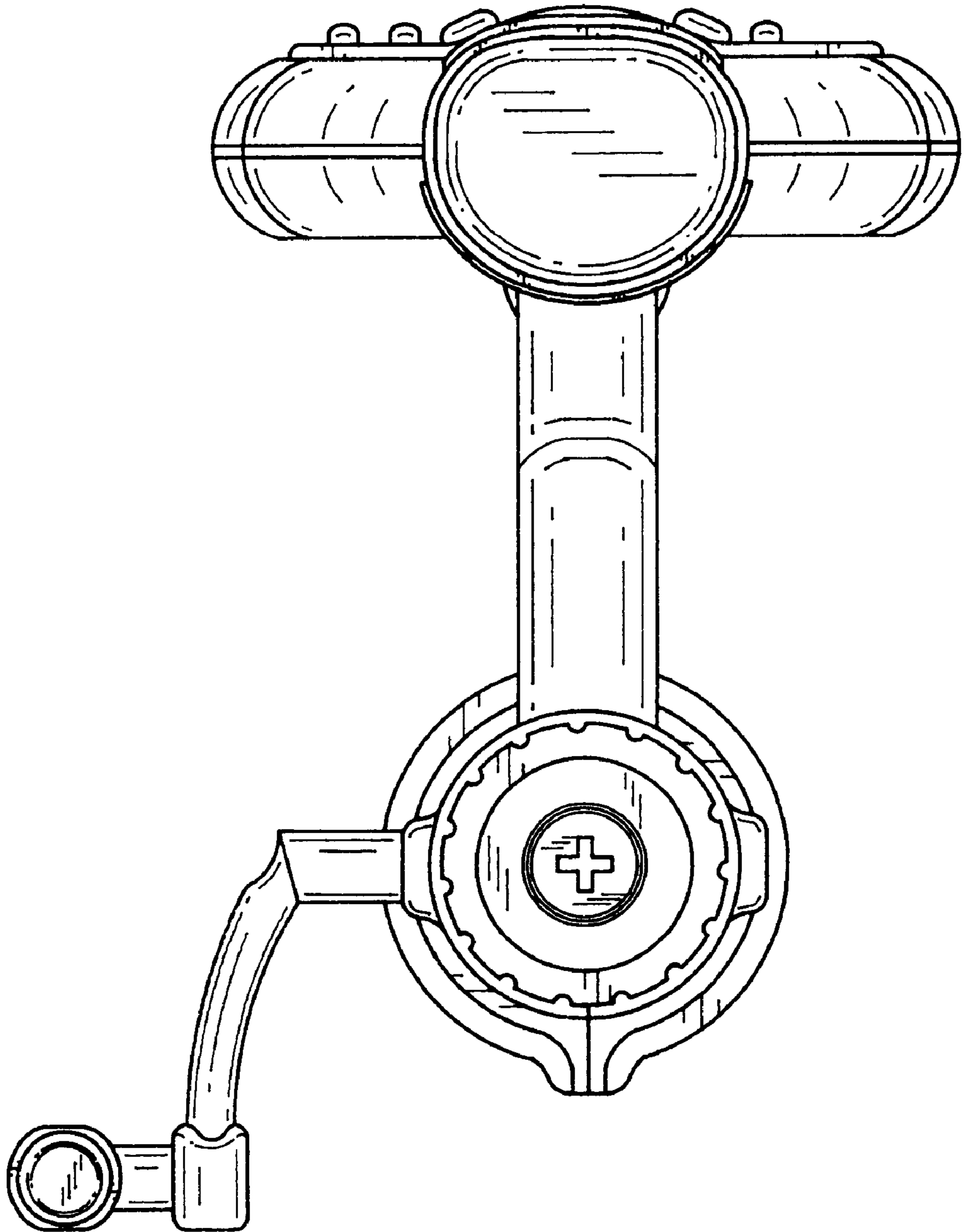


FIG. 2

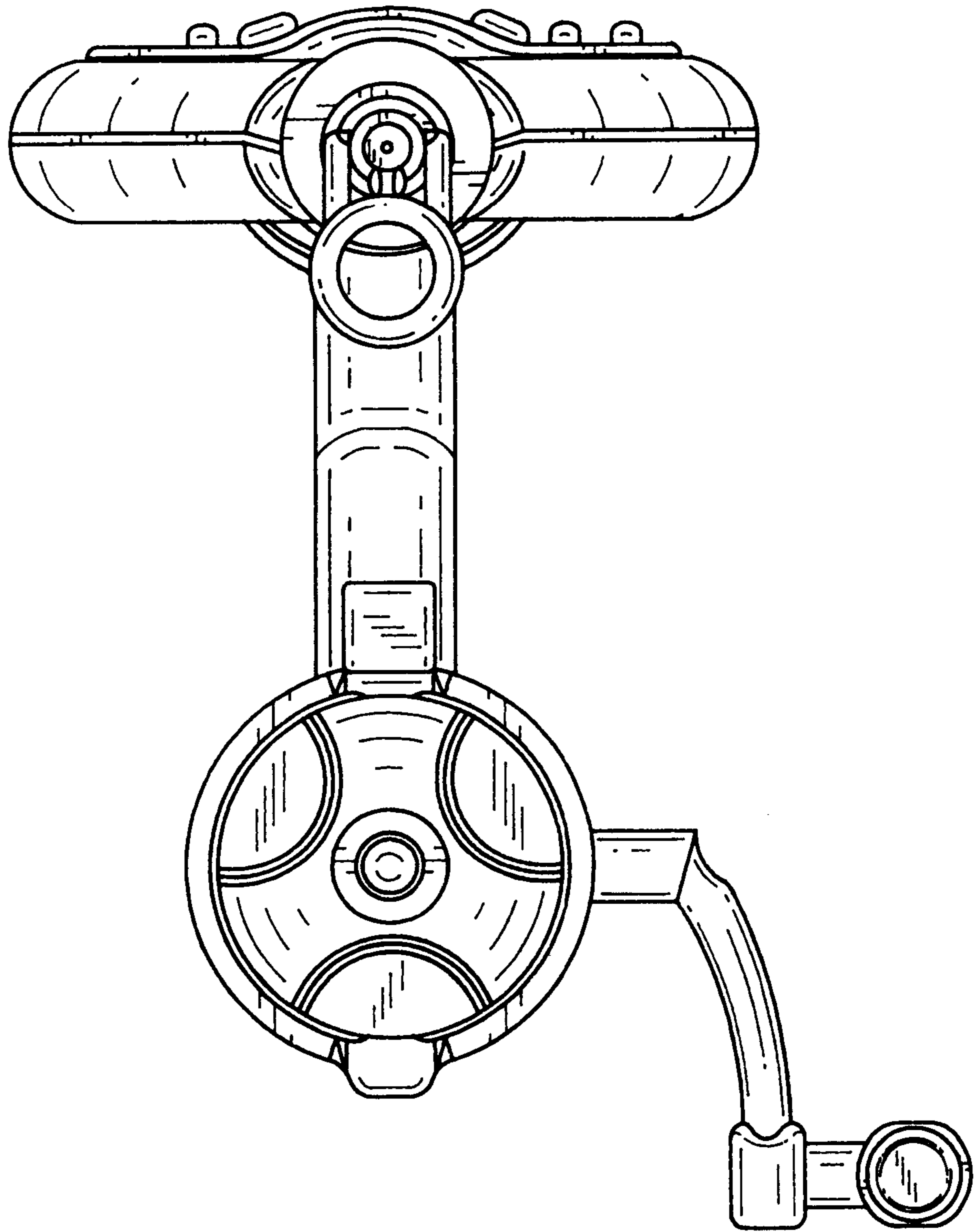


FIG. 3

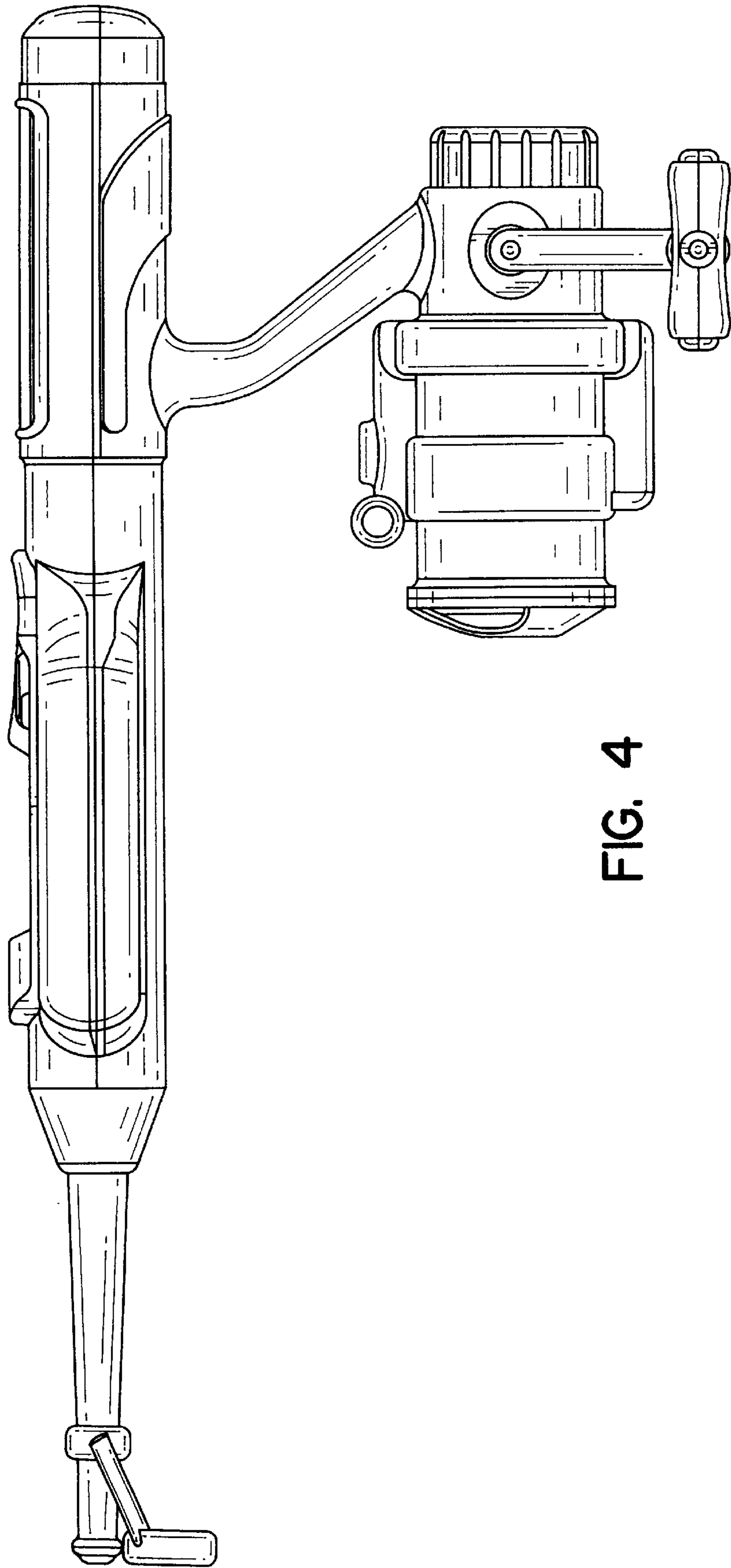


FIG. 4

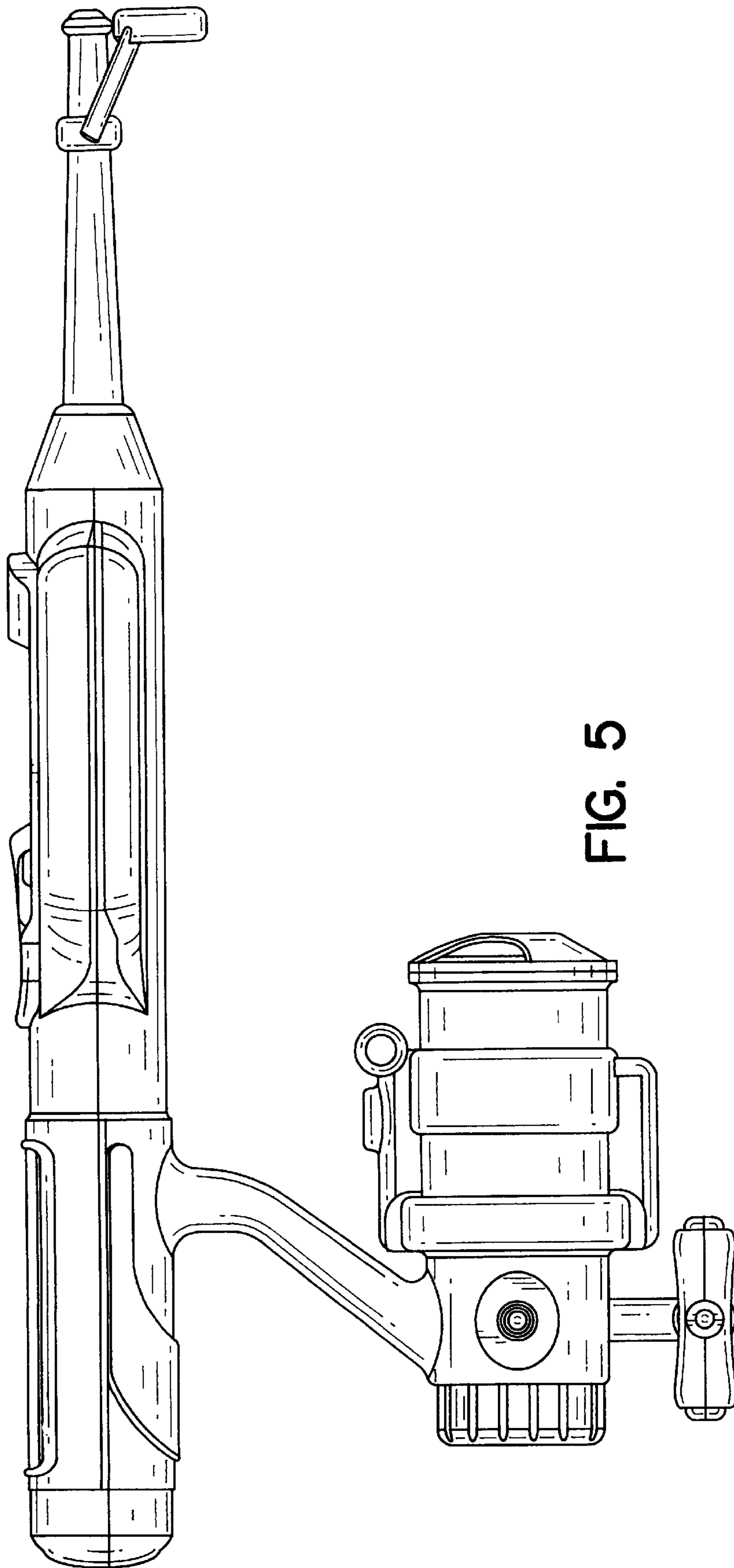


FIG. 5

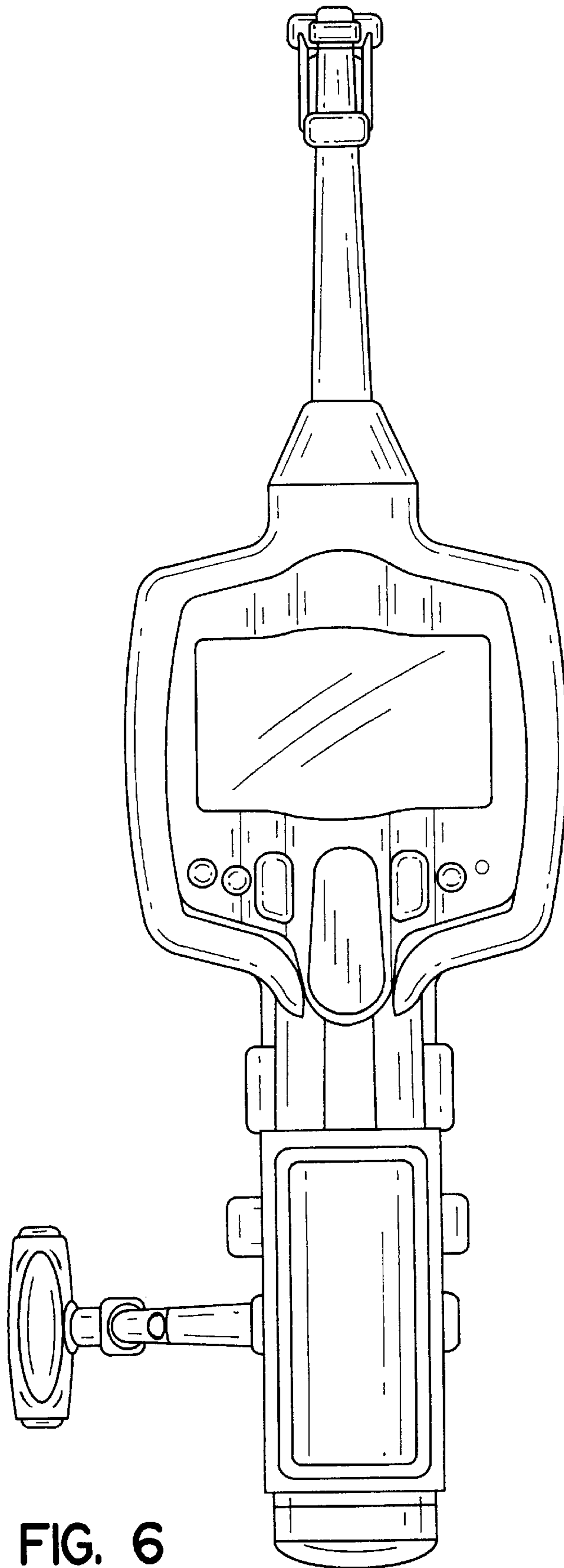


FIG. 6

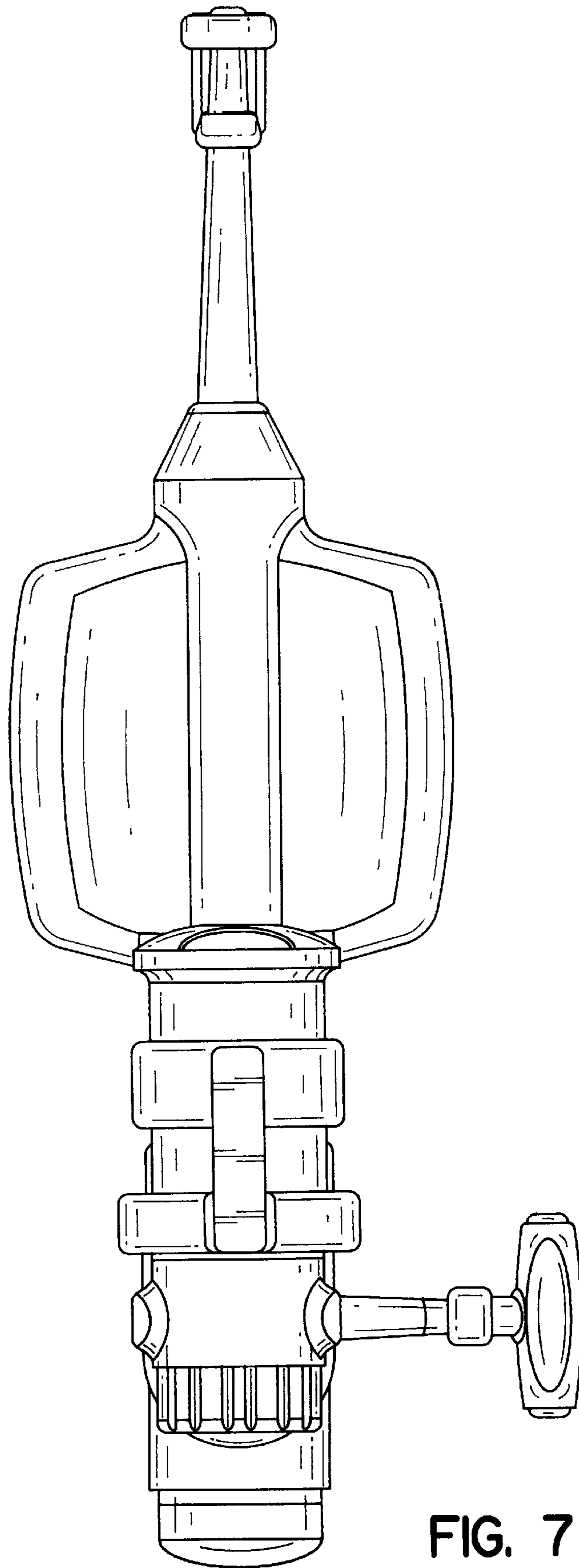


FIG. 7