



US00D428933S

# United States Patent [19] Garfinkle

[11] Patent Number: **Des. 428,933**

[45] Date of Patent: **\*\* Aug. 1, 2000**

[54] SIGN ATTACHMENT

5,921,011 7/1999 Hawver ..... 40/661.08 X

[76] Inventor: **Benjamin L. Garfinkle**, 1120 Portal Ave., Piedmont, Calif. 94610

*Primary Examiner*—Susan J. Lucas  
*Assistant Examiner*—J. Rivard  
*Attorney, Agent, or Firm*—Malcolm B. Wittenberg

[\*\*] Term: **14 Years**

[57] **CLAIM**

[21] Appl. No.: **29/099,191**

The ornamental design for sign attachment, as shown and described.

[22] Filed: **Jan. 15, 1999**

[51] LOC (7) Cl. .... **20-03**

[52] U.S. Cl. .... **D20/43**

[58] Field of Search ..... D20/10, 22-28, D20/40, 43; 40/584, 642.02, 666, 661, 661.11, 661.08, 649, 299.01, 324, 651

### DESCRIPTION

[56] **References Cited**

#### U.S. PATENT DOCUMENTS

4,209,925 7/1980 Brüggmann ..... 40/666  
5,581,921 12/1996 Hutchens ..... 40/324  
5,775,018 7/1998 Steinborn ..... 40/651

FIG. 1 shows a perspective view;

FIG. 2 shows a front view;

FIG. 3 shows a rear view;

FIG. 4 shows a top view;

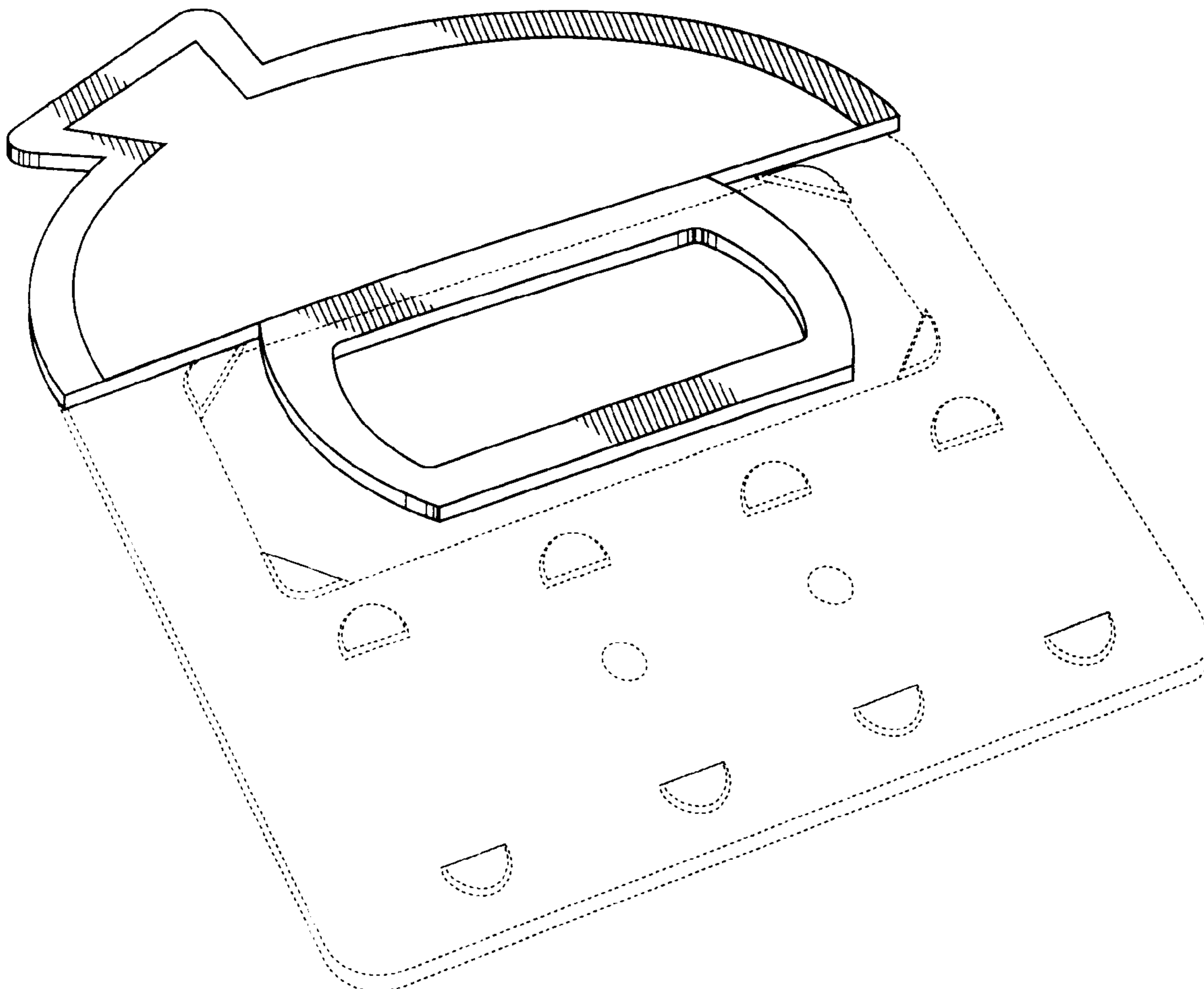
FIG. 5 shows a bottom view;

FIG. 6 shows a left side view; and,

FIG. 7 shows a right side view.

The broken lines are shown for illustrative purposes only and form no part of the claimed design.

**1 Claim, 3 Drawing Sheets**



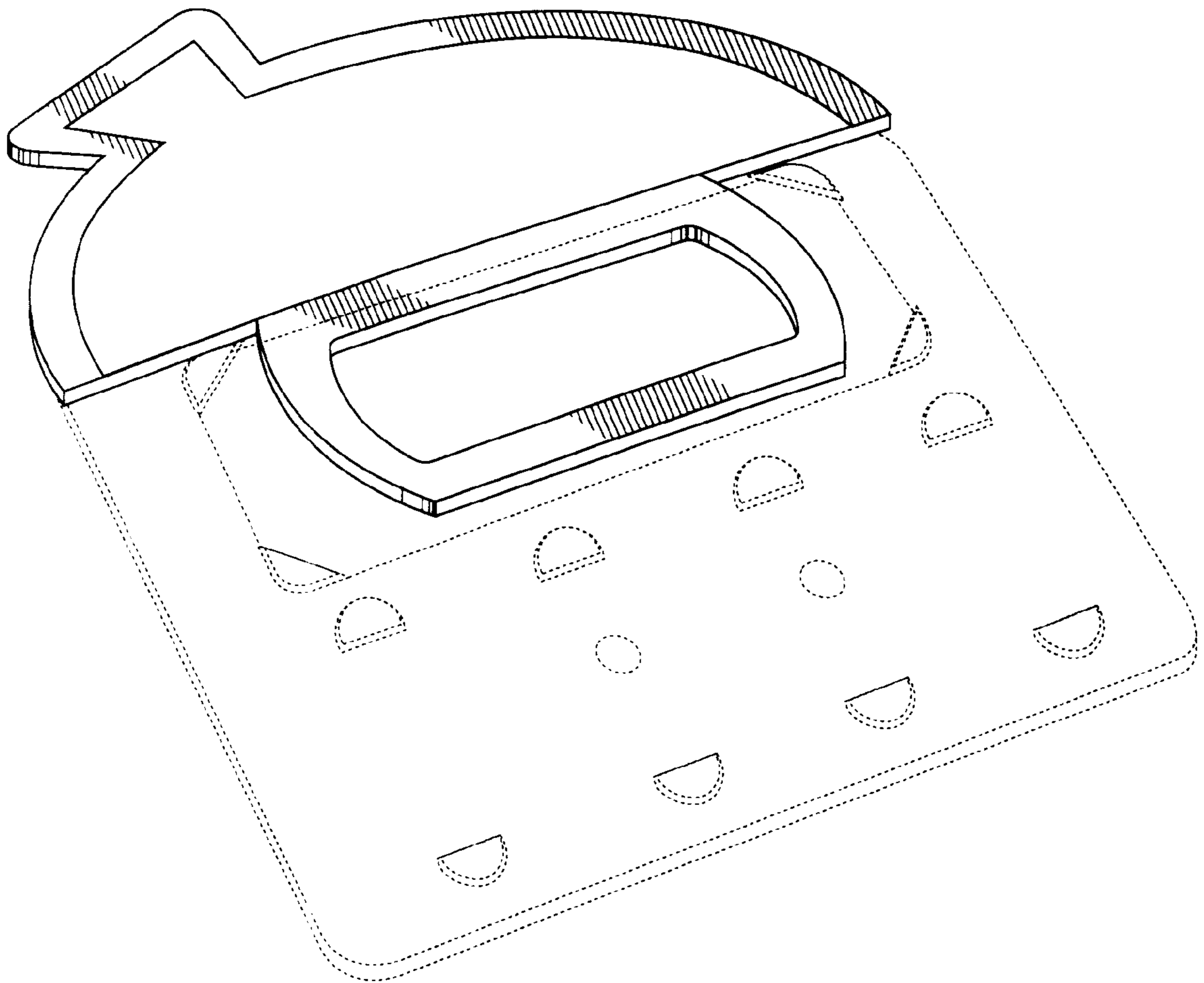


FIG. 1

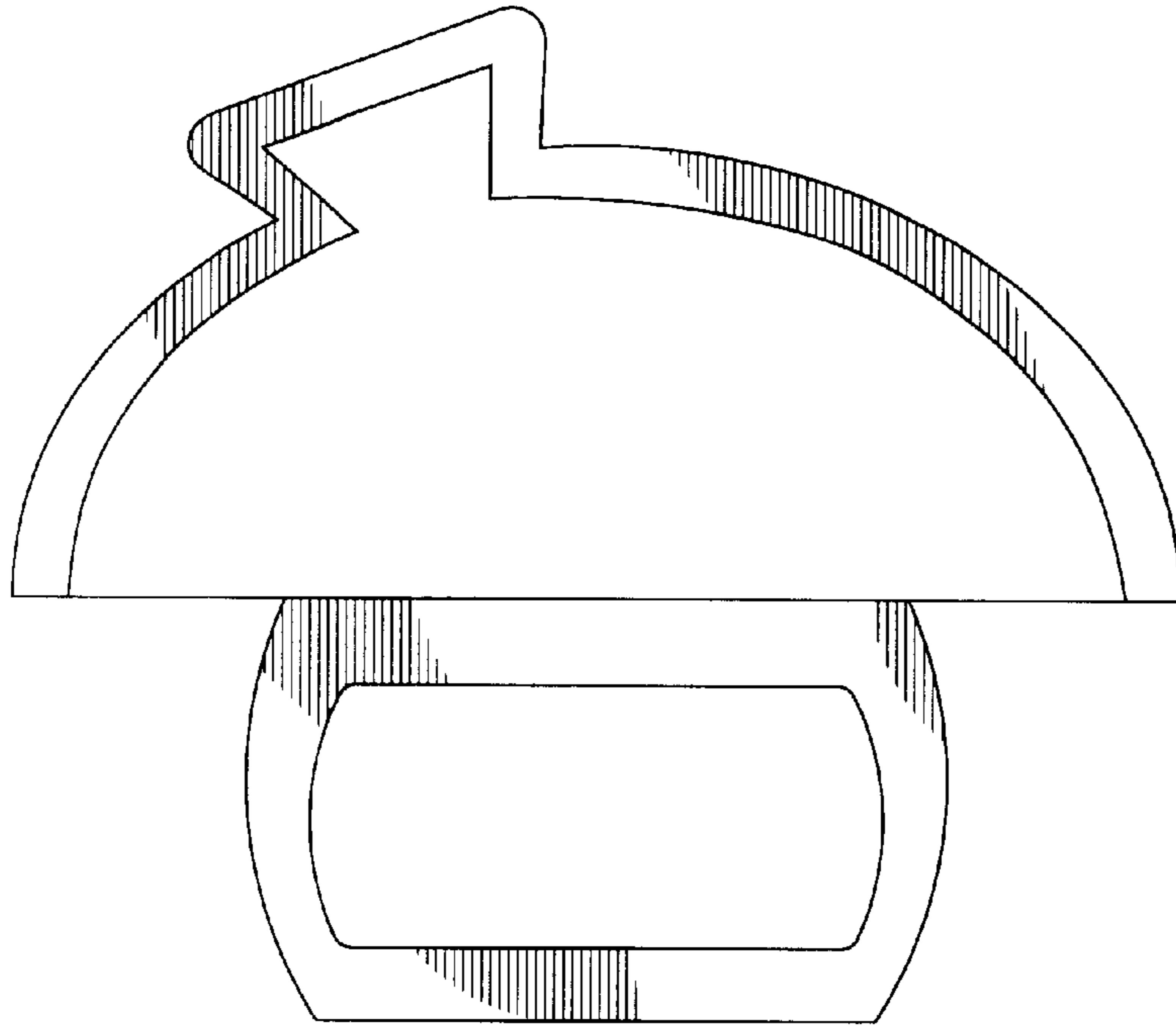


FIG. 2

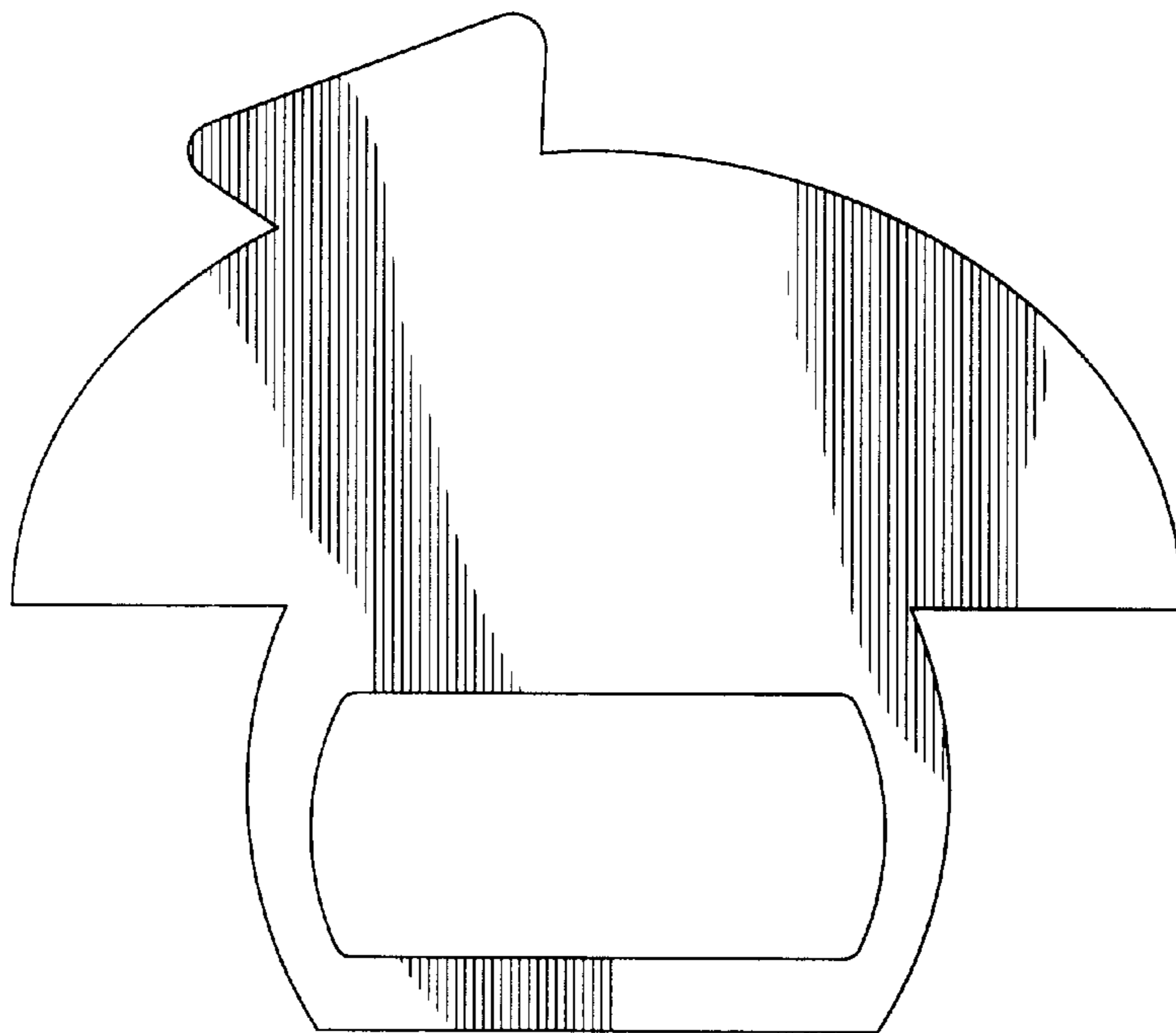


FIG. 3

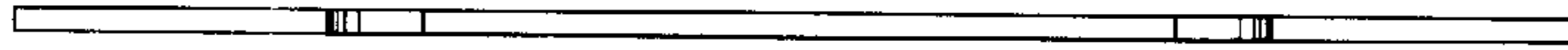


FIG. 4

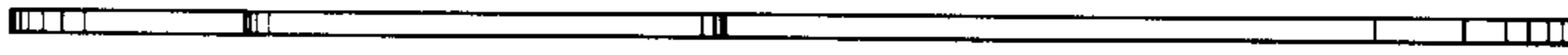


FIG. 5



FIG. 6



FIG. 7