



US00D428932S

United States Patent [19]

[11] Patent Number: **Des. 428,932**

Caloia et al.

[45] Date of Patent: **** Aug. 1, 2000**

[54] **DEVICE TAG FOR DISPLAY OF ELECTRICAL DEVICES**

1,652,907 12/1927 Nelson et al. 40/666
2,874,495 2/1959 Fowler 40/1.5

[75] Inventors: **Lisa Cookie Caloia**, Solvay; **Timothy Kiggins**; **Frederick Kandel**, both of Syracuse, all of N.Y.

OTHER PUBLICATIONS

No. 30851 Grammes Tags, Jan. 1940.

[73] Assignee: **Pass & Seymour, Inc.**, Solvay, N.Y.

Primary Examiner—Susan J. Lucas
Assistant Examiner—Jennifer Rivard
Attorney, Agent, or Firm—Harter, Secrest & Emery LLP; Stephen B. Salai

[**] Term: **14 Years**

[21] Appl. No.: **29/107,898**

[57] CLAIM

[22] Filed: **Jul. 15, 1999**

The ornamental design for a device tag for display of electrical devices, as shown and described.

Related U.S. Application Data

DESCRIPTION

[62] Division of application No. 29/097,815, Dec. 15, 1998, Pat. No. Des. 416,050.

FIG. 1 is a perspective view of the tag showing our new design;

[51] **LOC (7) Cl.** **19-08**

FIG. 2 is a front elevation of the tag of FIG. 1;

[52] **U.S. Cl.** **D20/22; D20/23; D13/154**

FIG. 3 is a side elevation of the tag of FIG. 1;

[58] **Field of Search** D20/10, 11, 22-28, D20/40; 40/1.5, 299.01, 300, 316, 27.5; 283/81; D13/154, 157

FIG. 4 is a rear elevation of the tag of FIG. 1; and, FIG. 5 is a perspective view showing the tag of FIG. 1 in cooperative orientation with respect to an electrical display device.

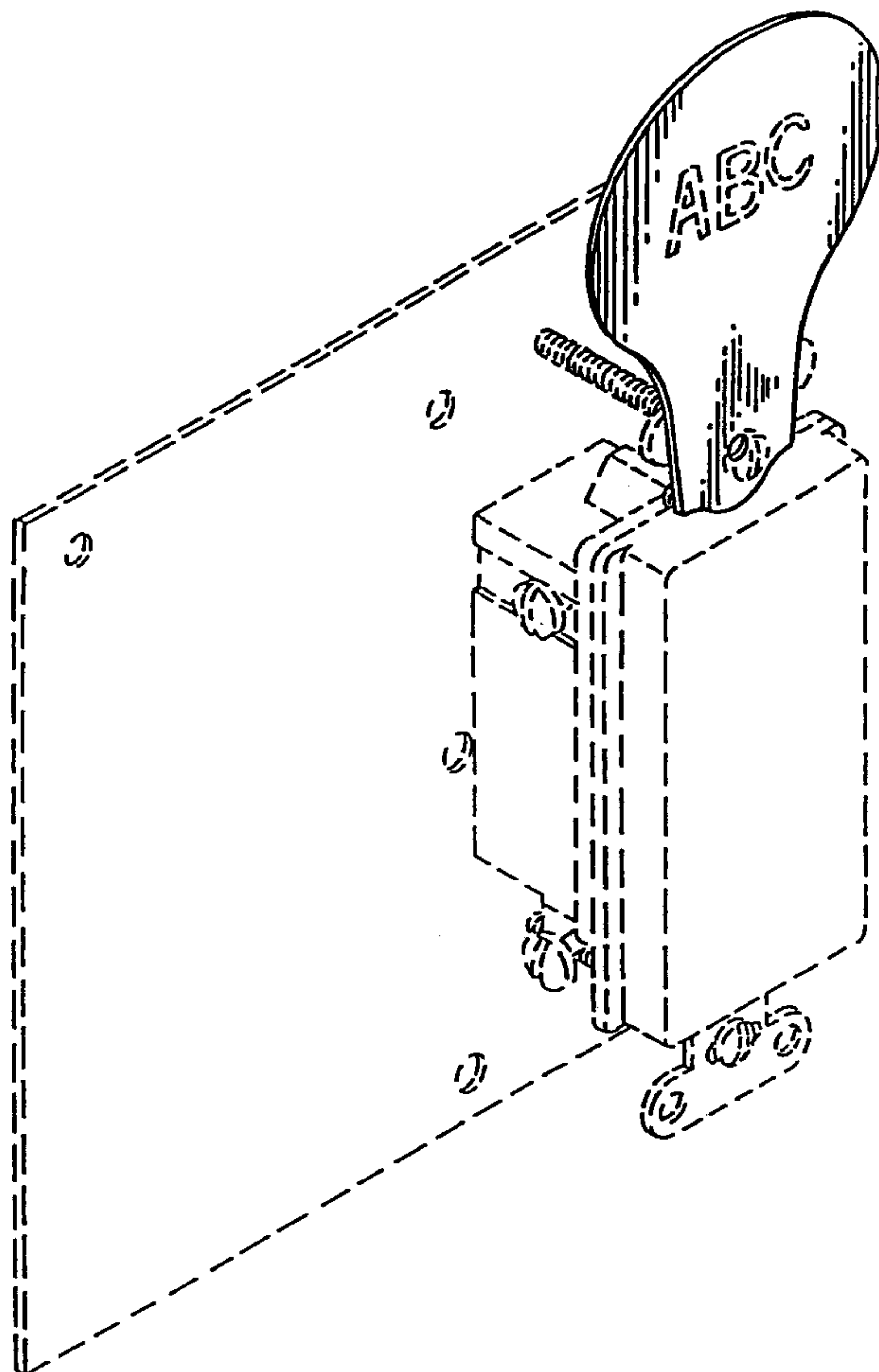
[56] References Cited

The broken lines are shown for illustrative purposes only and form no part of the claimed design.

U.S. PATENT DOCUMENTS

D. 343,642 1/1994 Ho D20/11

1 Claim, 2 Drawing Sheets



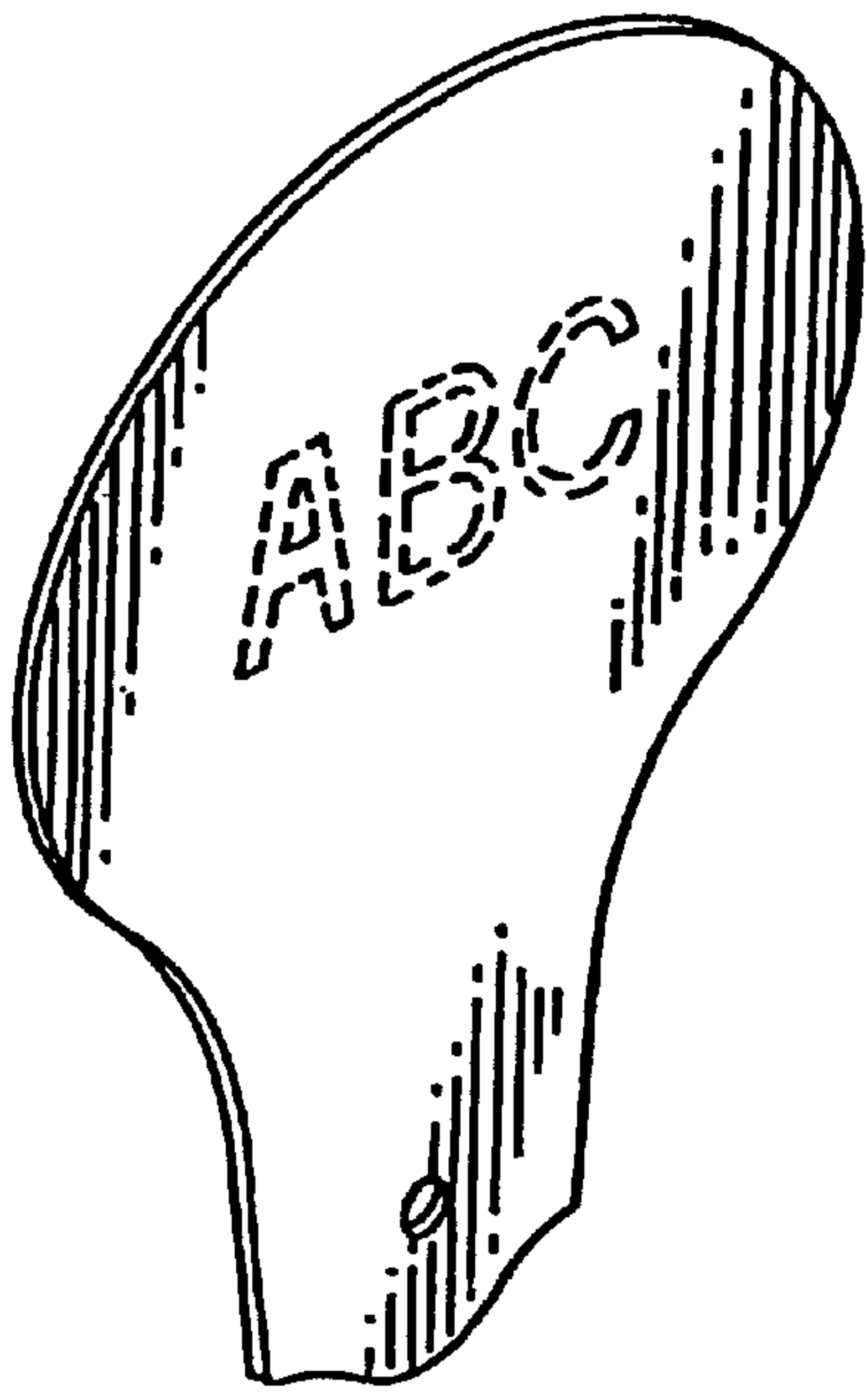


FIG. 1

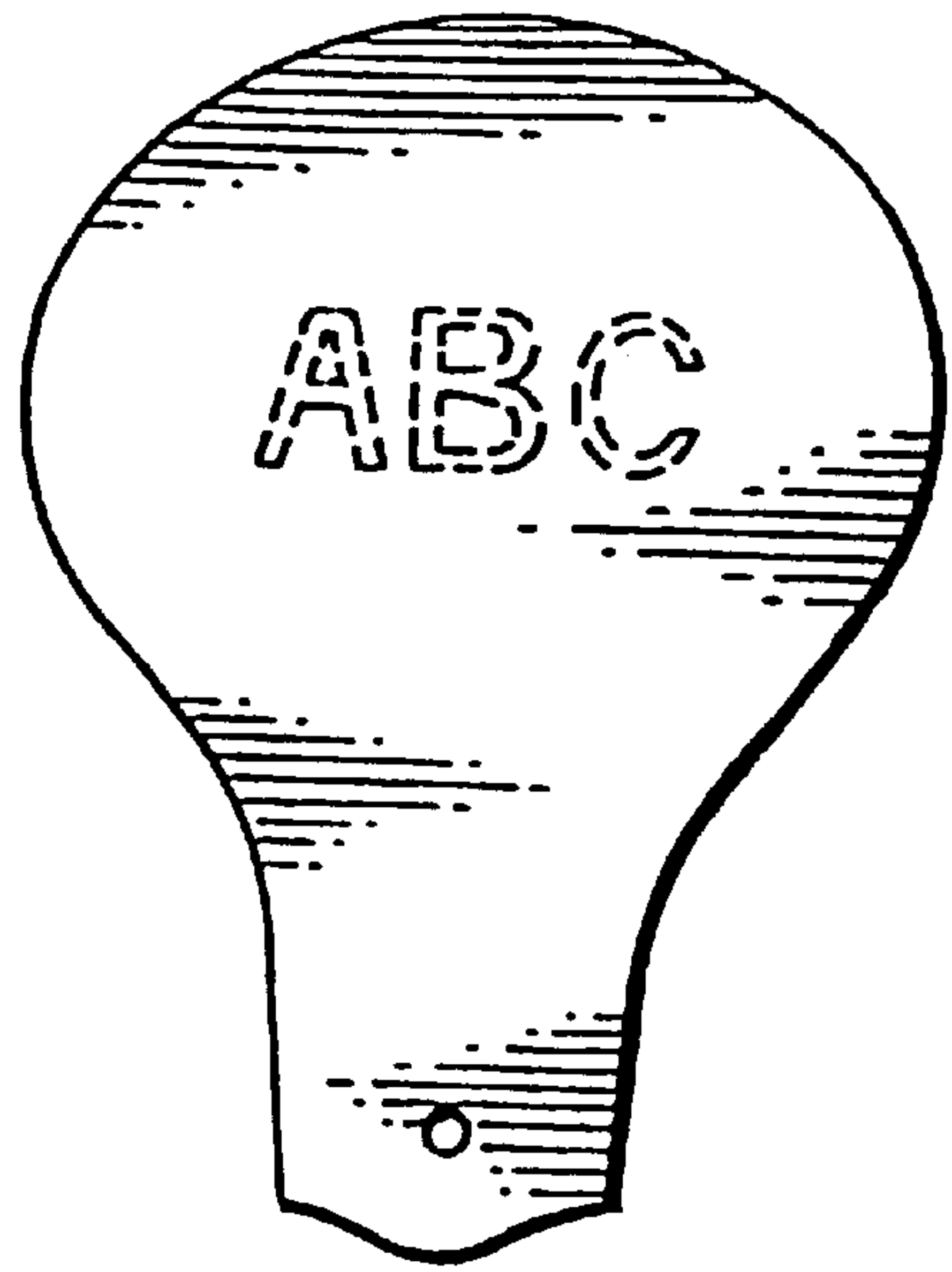


FIG. 2



FIG. 3

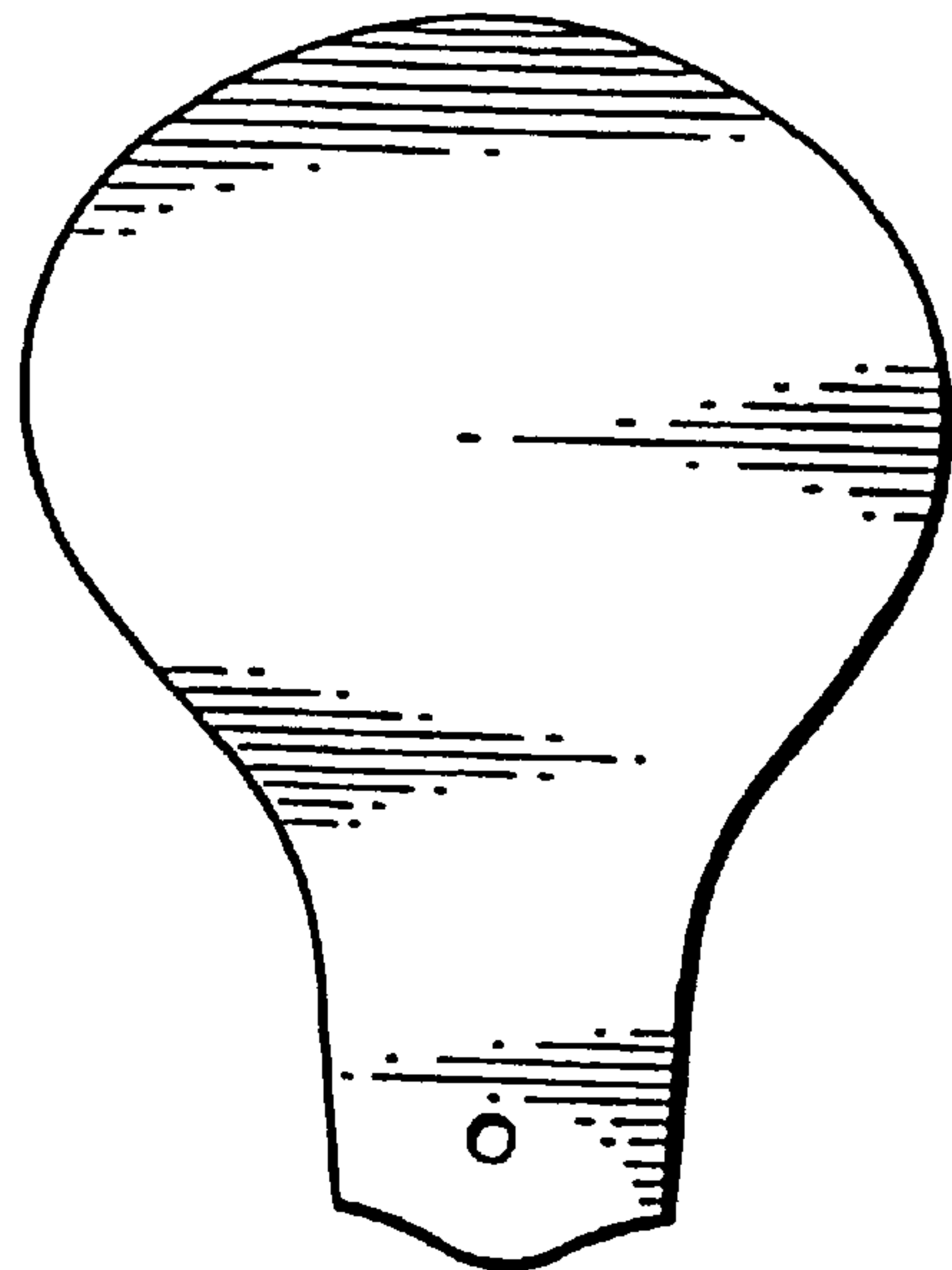


FIG. 4

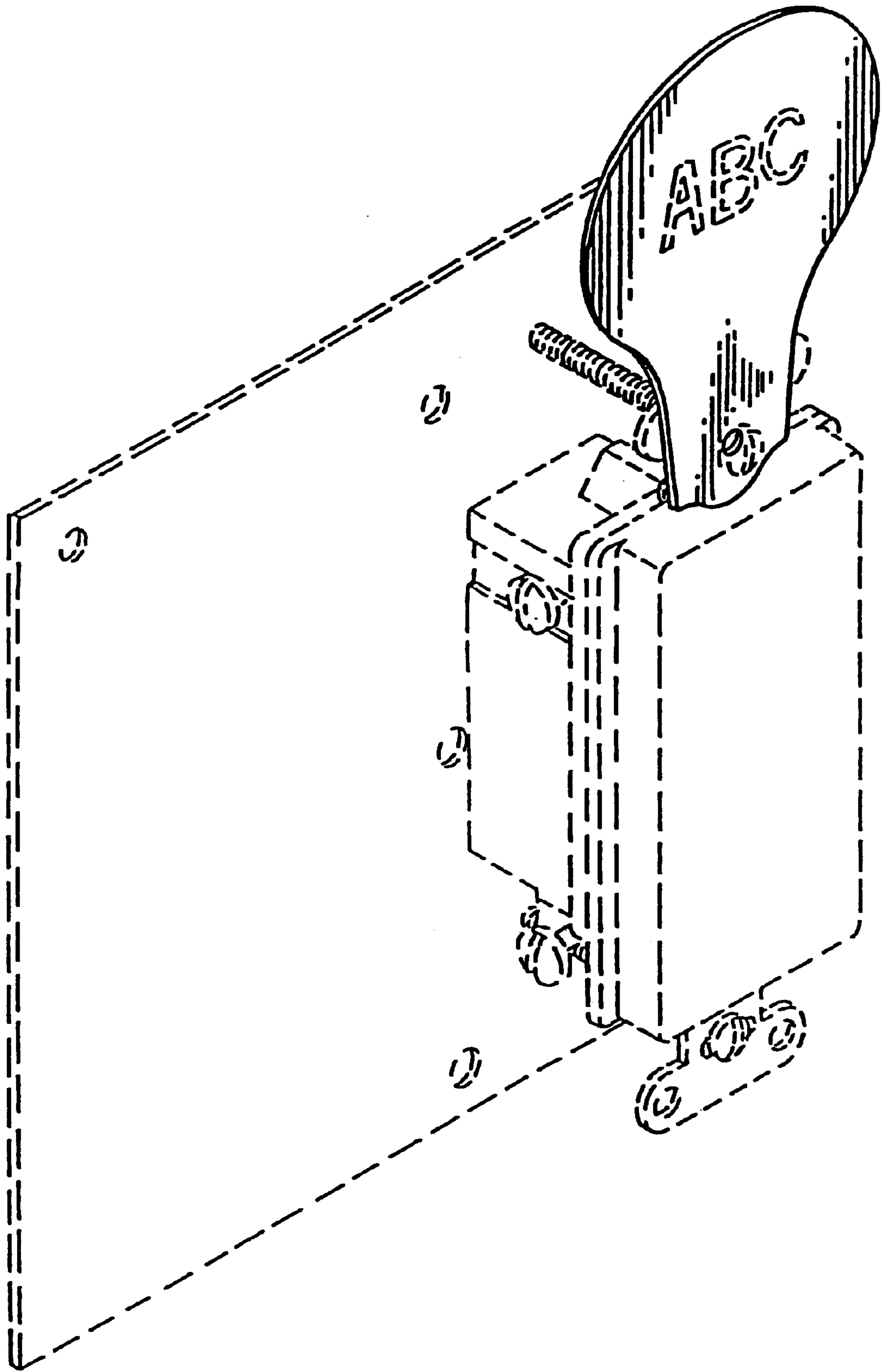


FIG. 5