



US00D428931S

United States Patent [19] Zulch

[11] Patent Number: **Des. 428,931**

[45] Date of Patent: **** Aug. 1, 2000**

[54] DISPLAY LABEL FOR AN ABSORBENT ARTICLE

[75] Inventor: **John S. Zulch**, Charlotte, N.C.

[73] Assignee: **Springs Industries, Inc.**, Fort Mill, S.C.

[**] Term: **14 Years**

[21] Appl. No.: **29/100,031**

[22] Filed: **Feb. 2, 1999**

[51] **LOC (7) Cl.** **19-08**

[52] **U.S. Cl.** **D20/22; D5/63**

[58] **Field of Search** D20/10, 11, 22-28, D20/40; 283/81; 428/40.1, 41.9; 2/46; D6/608; 40/299.01, 124.01, 1.5, 674, 661.04, 631, 360, 642.02, 662; D5/63

[56] **References Cited**

U.S. PATENT DOCUMENTS

D. 4,266	7/1870	Rogers .	
D. 317,995	7/1991	Crowley-McGregor	D6/608
D. 335,760	5/1993	Warren et al.	D2/314
D. 382,757	8/1997	Vick	D6/608
D. 385,742	11/1997	Bird	D6/608
D. 396,596	8/1998	Simon	D6/608
487,540	12/1892	Ralph	40/674 X
1,436,365	11/1922	Steinau .	
1,630,855	5/1927	Mahnk	40/1.5
1,678,675	7/1928	Laencher .	
1,850,988	3/1932	Petersen	40/674 X
1,907,393	5/1933	Tooley	40/674 X
3,267,623	8/1996	Block	428/40.1 X
3,442,037	5/1969	Grimm et al.	40/2
3,503,834	3/1970	Schroter	40/299.01 X
3,556,291	1/1971	Sebring	40/642.02 X
3,764,447	10/1973	Duff	283/81 X
4,537,809	8/1985	Aug et al.	40/674 X
4,584,238	4/1986	Gen et al.	428/349
4,947,567	8/1990	Hermann	40/299.01
5,096,226	3/1992	Steffen	283/81 X
5,326,610	7/1994	Moss	428/78
5,639,532	6/1997	Wells	428/95

OTHER PUBLICATIONS

Label 1—Esselte Meto #2600, Sep. 9, 1996.
Label 2—Independent Machine Service #3CQ, Sep. 9, 1996.
Label 4—Independent Machine Service #M1600, Sep. 9, 1996.
Advertisement, Royal Velvet Towels, *News & Observer* (Nov. 1998).

Primary Examiner—Susan J. Lucas
Assistant Examiner—Jennifer Rivard
Attorney, Agent, or Firm—Myers Bigel Sibley & Sajovec, P.A.

[57] **CLAIM**

The ornamental design for a display label for an absorbent article, as shown and described.

DESCRIPTION

FIG. 1 is a top perspective view of a display label for an absorbent article of a first embodiment showing my design; FIG. 2 is a top perspective view of a display label for an absorbent article showing my design with the label translated a distance from the center of the absorbent article; FIG. 3 is a top view thereof; FIG. 4 is a first elevational side view thereof; FIG. 5 is a second opposing elevational side view thereof; FIG. 6 is a front view thereof; FIG. 7 is a back view thereof; FIG. 8 is a top perspective view of the display label for an absorbent article showing my design in an unfolded state; FIG. 9 is a top view thereof; FIG. 10 is a first elevational side view thereof; FIG. 11 is a second opposing elevational side view thereof; FIG. 12 is a third side view thereof; FIG. 13 is a fourth opposing side view thereof; FIG. 14 is a top perspective view of the display label for an absorbent article showing my design with the display label positioned along a front edge portion of the absorbent article in a half fold state; FIG. 15 is a top perspective view of the display label for an absorbent article showing my design with the display label positioned along a front edge portion of the absorbent article in a quarter fold state; FIG. 16 is a top view of the design and label position shown in FIG. 14;

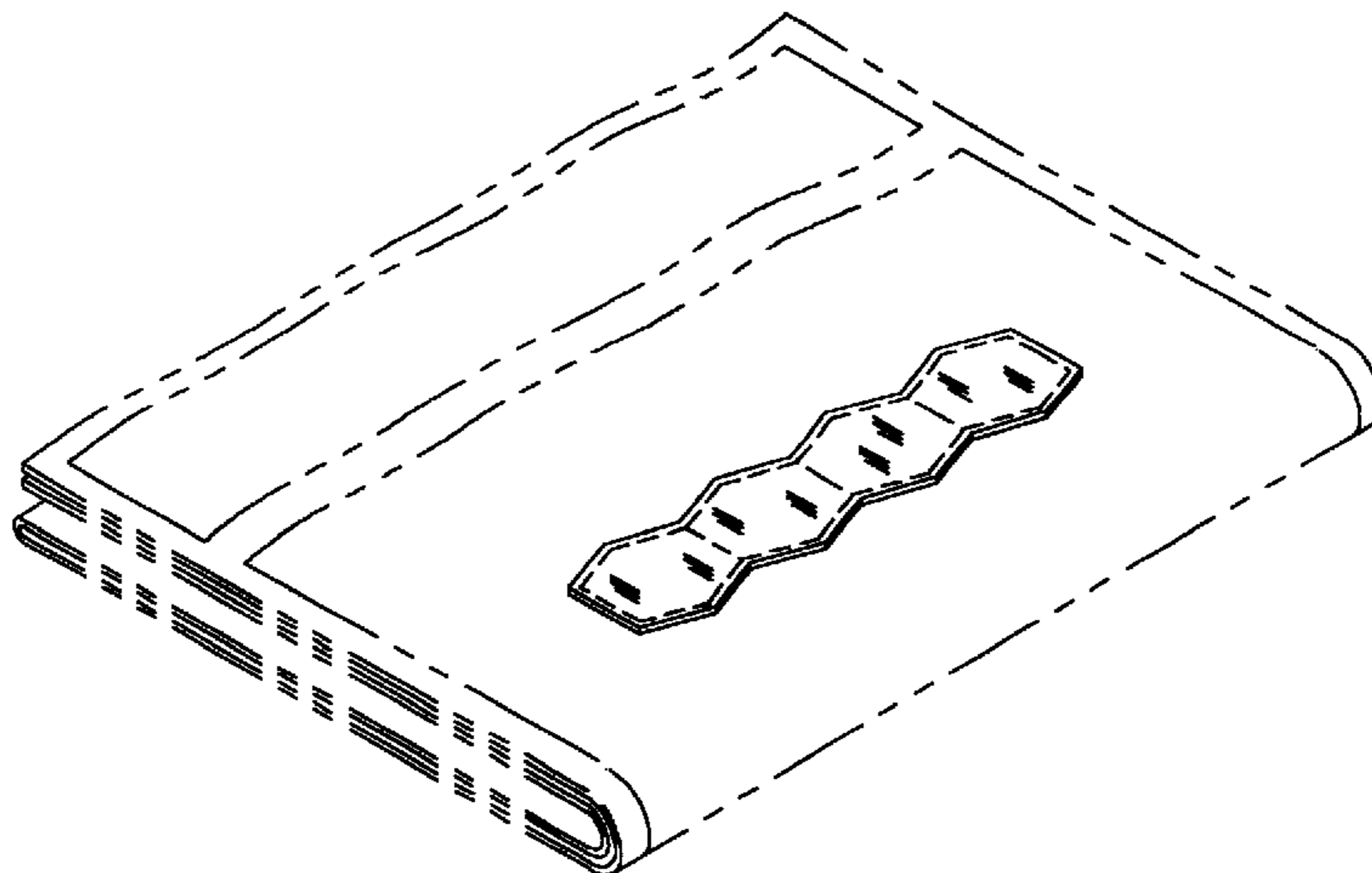


FIG. 17 is a first elevational side view thereof;
FIG. 18 is a second opposing elevational side view thereof;
FIG. 19 is a bottom view thereof;
FIG. 20 is a front side view thereof;
FIG. 21 is a back view thereof;
FIG. 22 is a front view of the label illustrated in FIG. 14 showing my design alternately positioned on the front edge portion of the absorbent article;
FIG. 23 is a front view of the label illustrated in FIG. 14 showing my design alternately positioned on the front edge portion of the absorbent article;
FIG. 24 is a top perspective view of a display label for an absorbent article of a second embodiment showing my design with a surface ornamentation edge border thereon;
FIG. 25 is a top perspective view of a display label for an absorbent article showing my design with the label translated a distance from the center of the absorbent article;
FIG. 26 is a top view thereof;
FIG. 27 is a top perspective view of the display label for an absorbent article showing my design in an unfolded state
FIG. 28 is a top view thereof
FIG. 29 is a top perspective view of the display label for an absorbent article showing my design with the display label positioned along a front edge portion of the absorbent article in a half fold state;

FIG. 30 is a top perspective view of the display label for an absorbent article showing my design with the display label positioned along a front edge portion of the absorbent article in a quarter fold state;

FIG. 31 is a top view of the design and label position shown in FIG. 29

FIG. 32 is a bottom view thereof

FIG. 33 is a front side view thereof;

FIG. 34 is front view of the label illustrated in FIG. 29 showing my design alternately positioned on the front edge portion of the absorbent article; and,

FIG. 35 is a front view of the label illustrated in FIG. 29 showing my design alternately positioned on the front edge portion of the absorbent article.

Side views of the second embodiment are the same as those shown for the corresponding views of the first embodiment.

The broken lines shown herein are for illustrative purposes only and form no part of the claimed design. As shown, for folded article displays, the display label is positioned on the absorbent article such that it is visible along the front edge portion of the absorbent article.

1 Claim, 8 Drawing Sheets

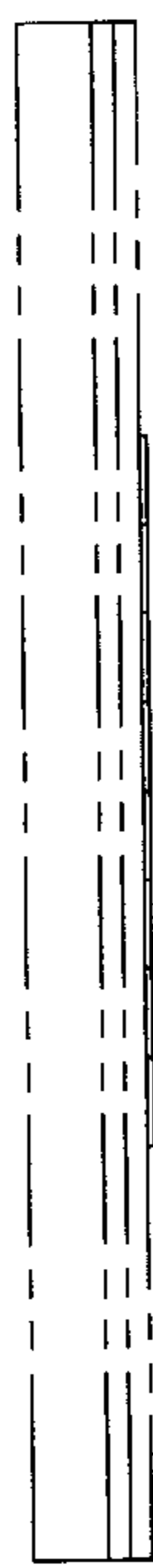
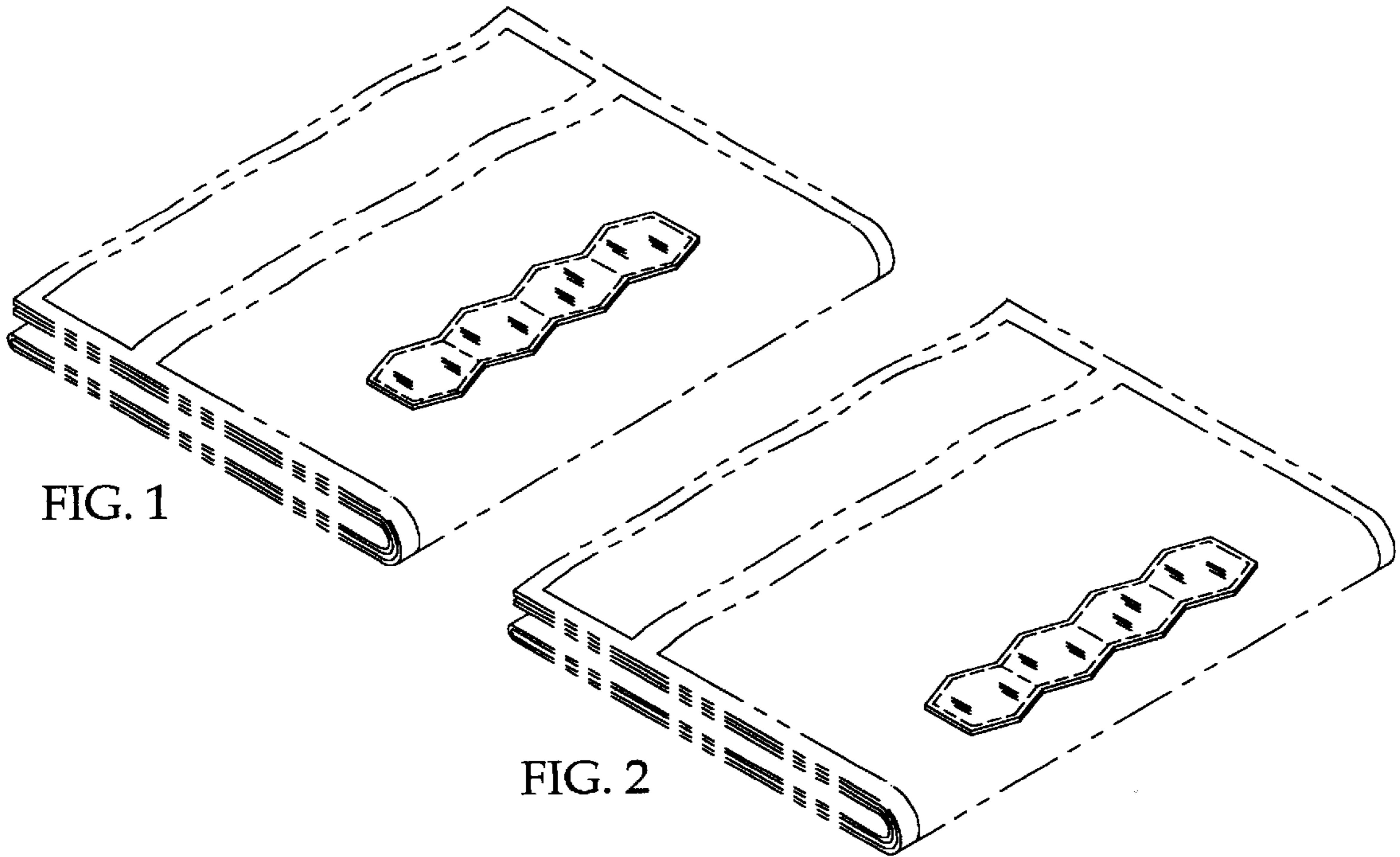


FIG. 4

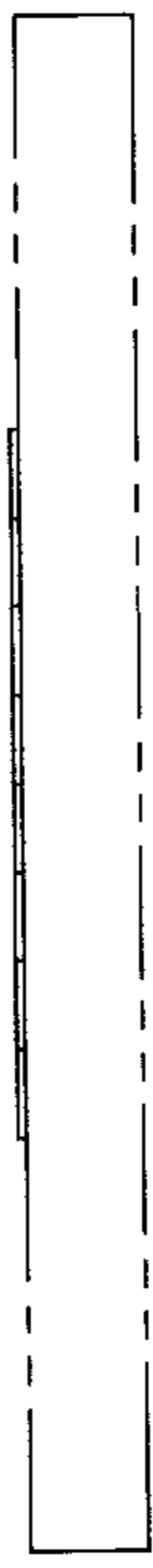


FIG. 5

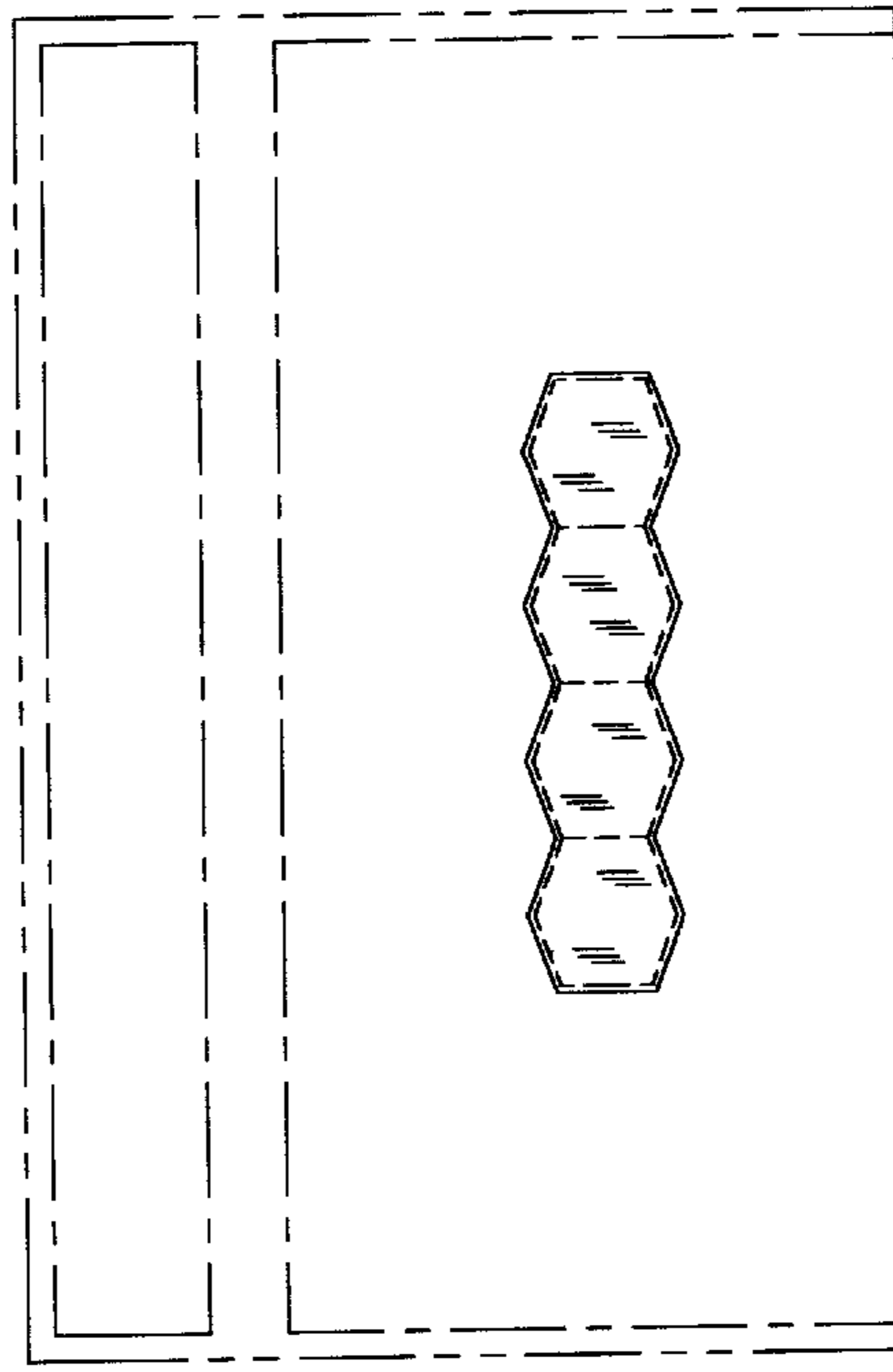


FIG. 3

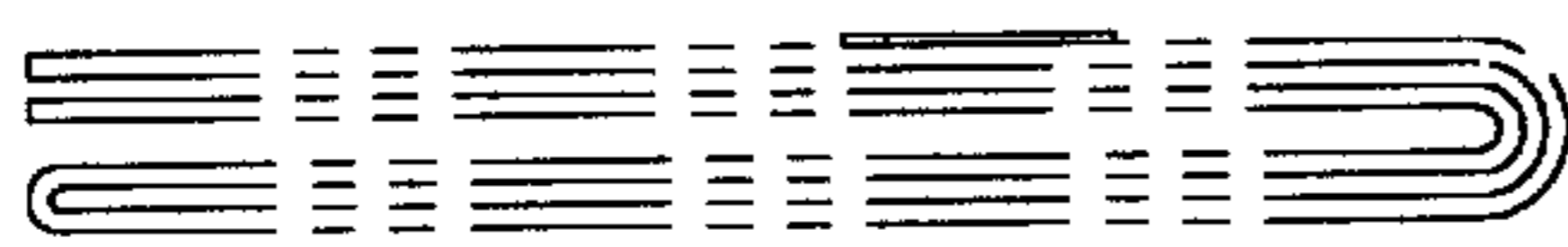


FIG. 6

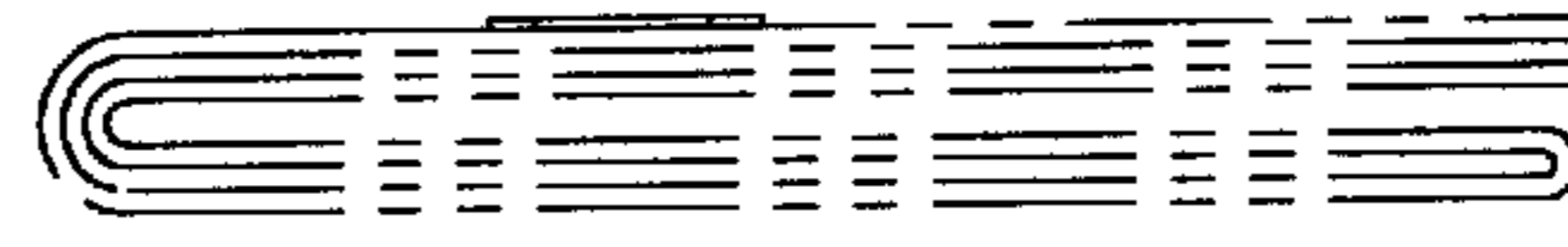


FIG. 7

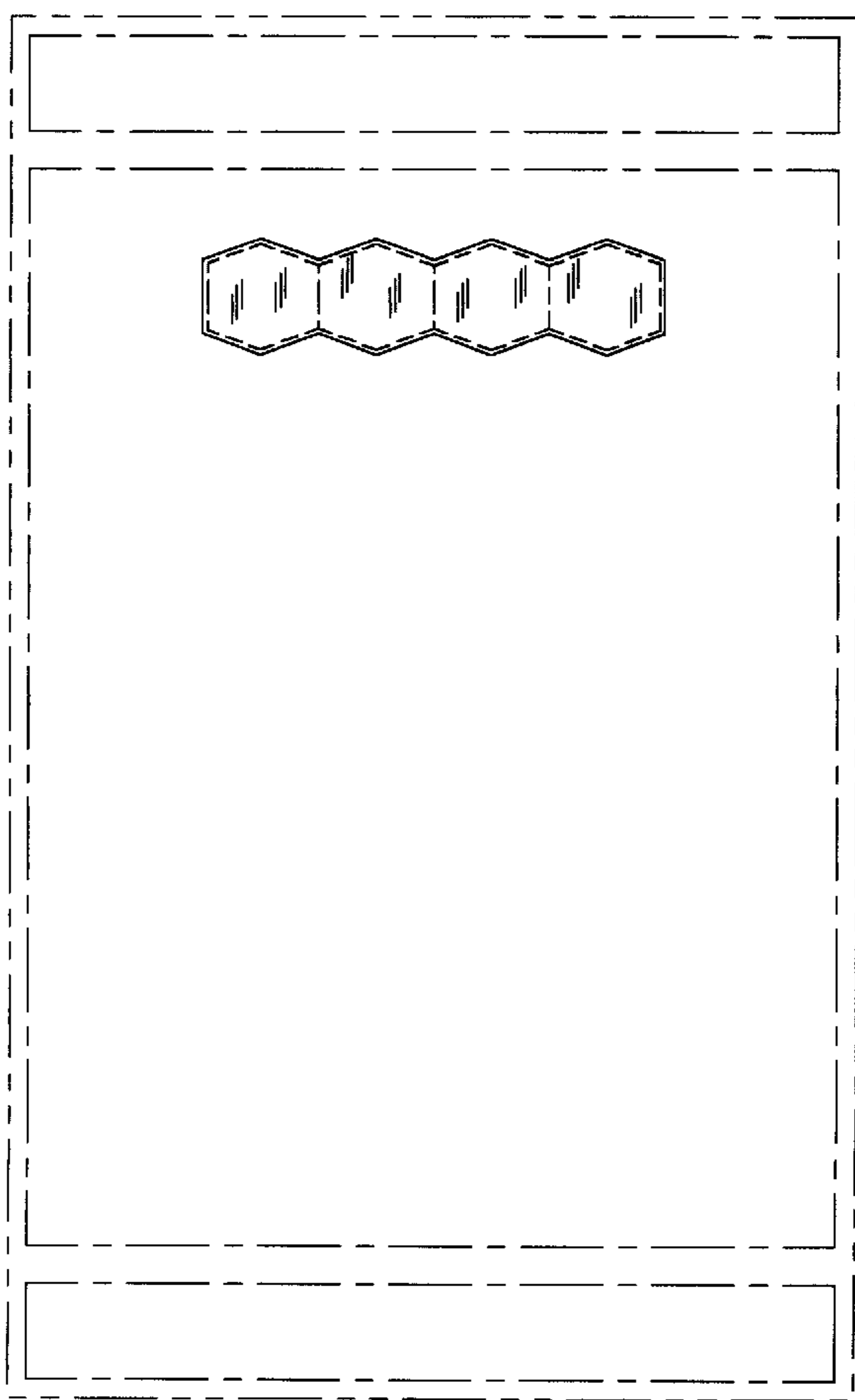
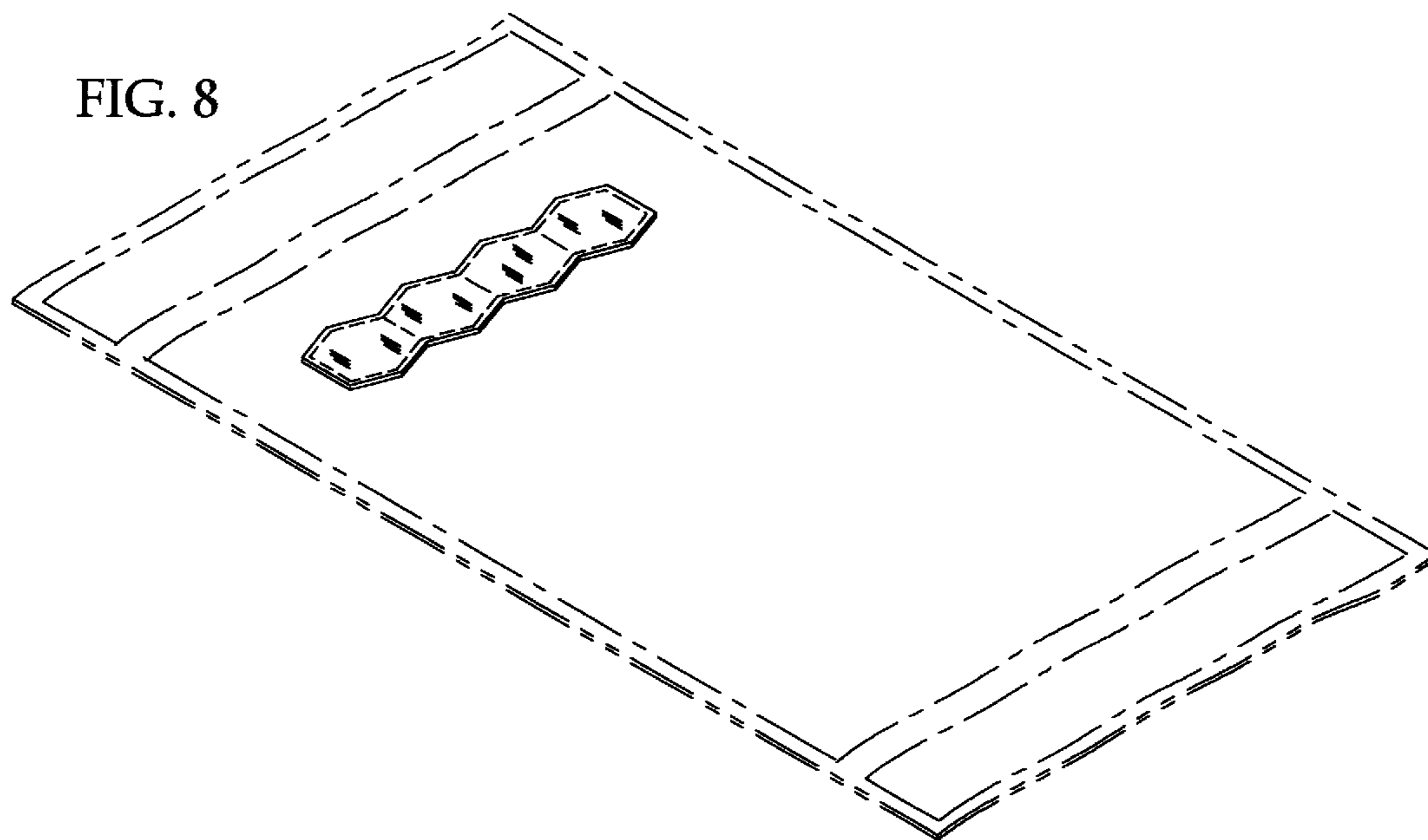


FIG. 9



FIG. 10



FIG. 11

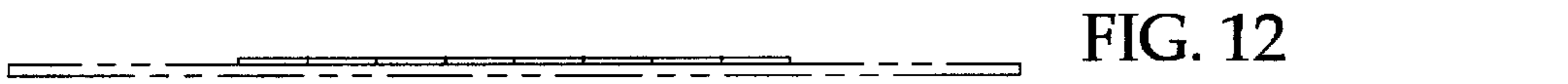


FIG. 12

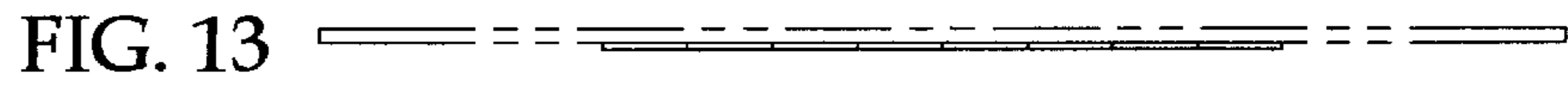


FIG. 13

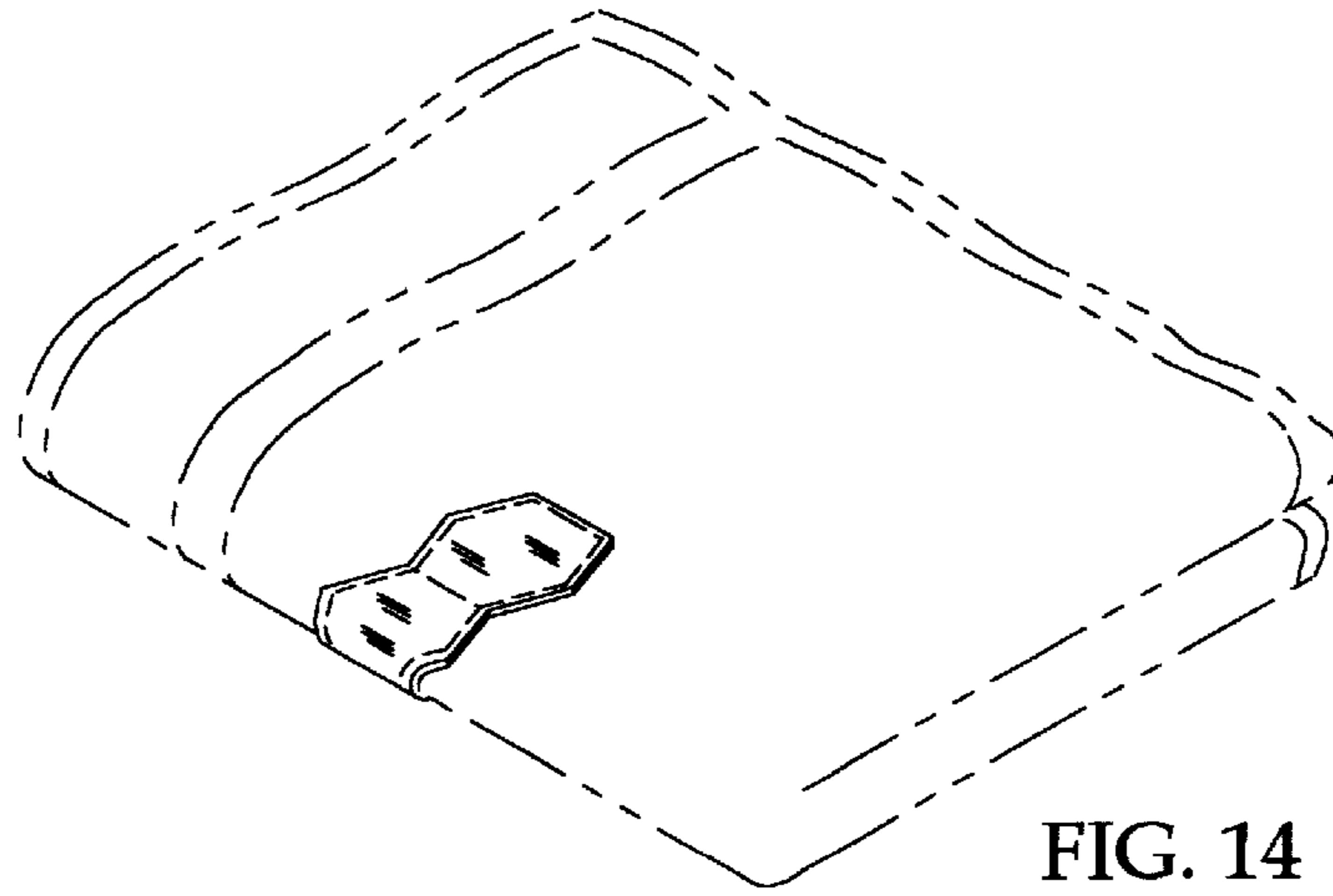


FIG. 14

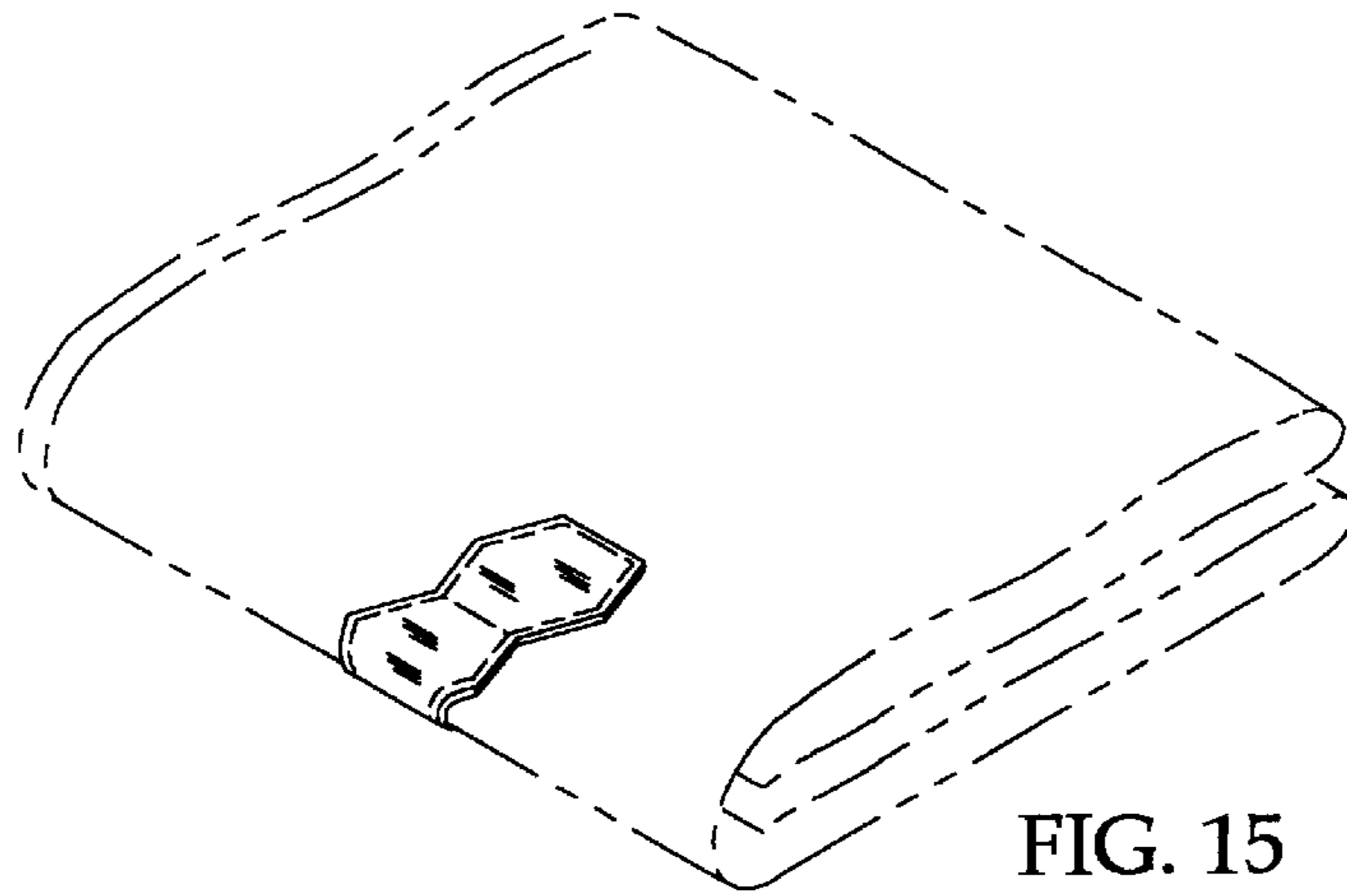


FIG. 15



FIG. 17



FIG. 18

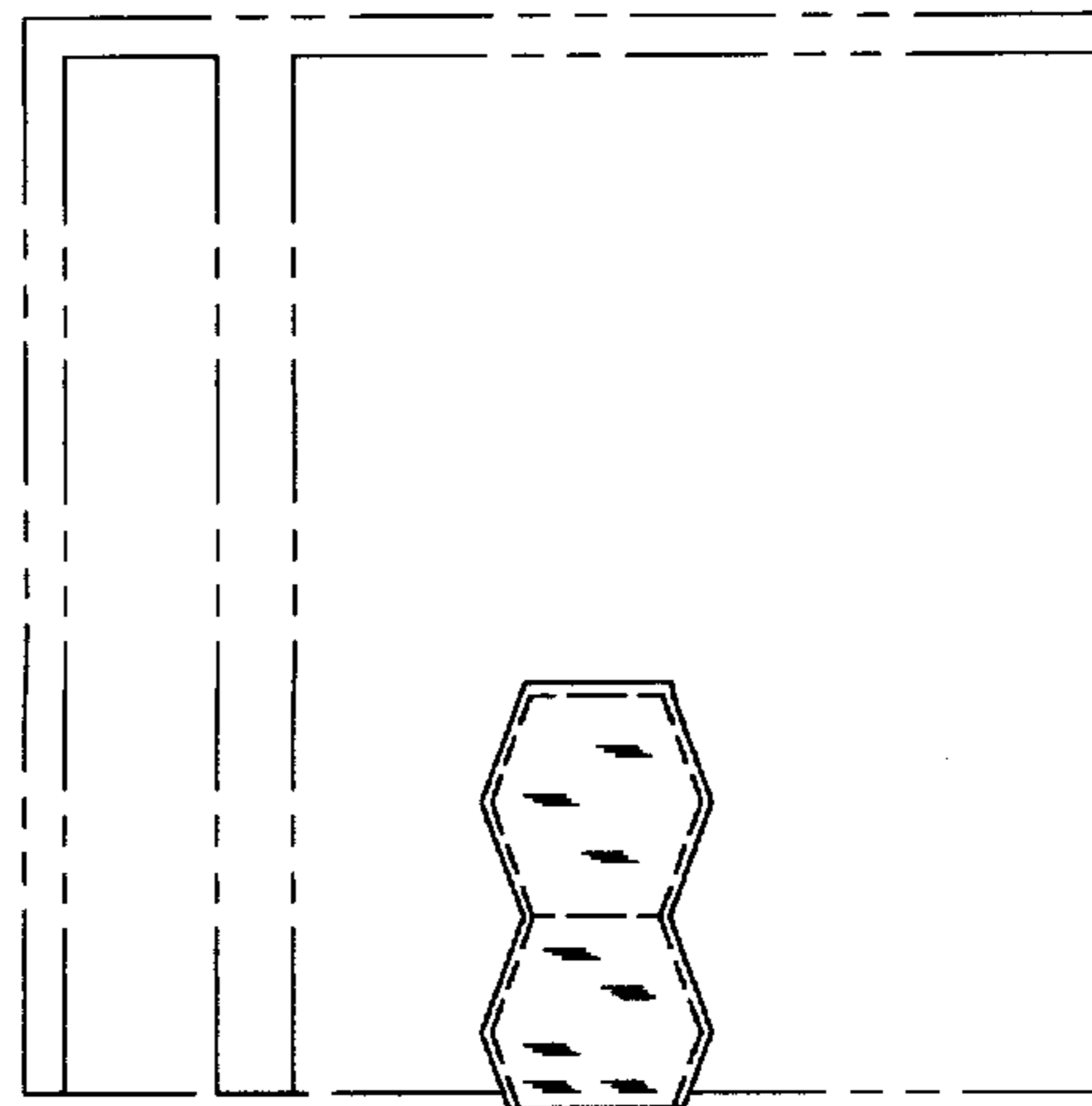


FIG. 16

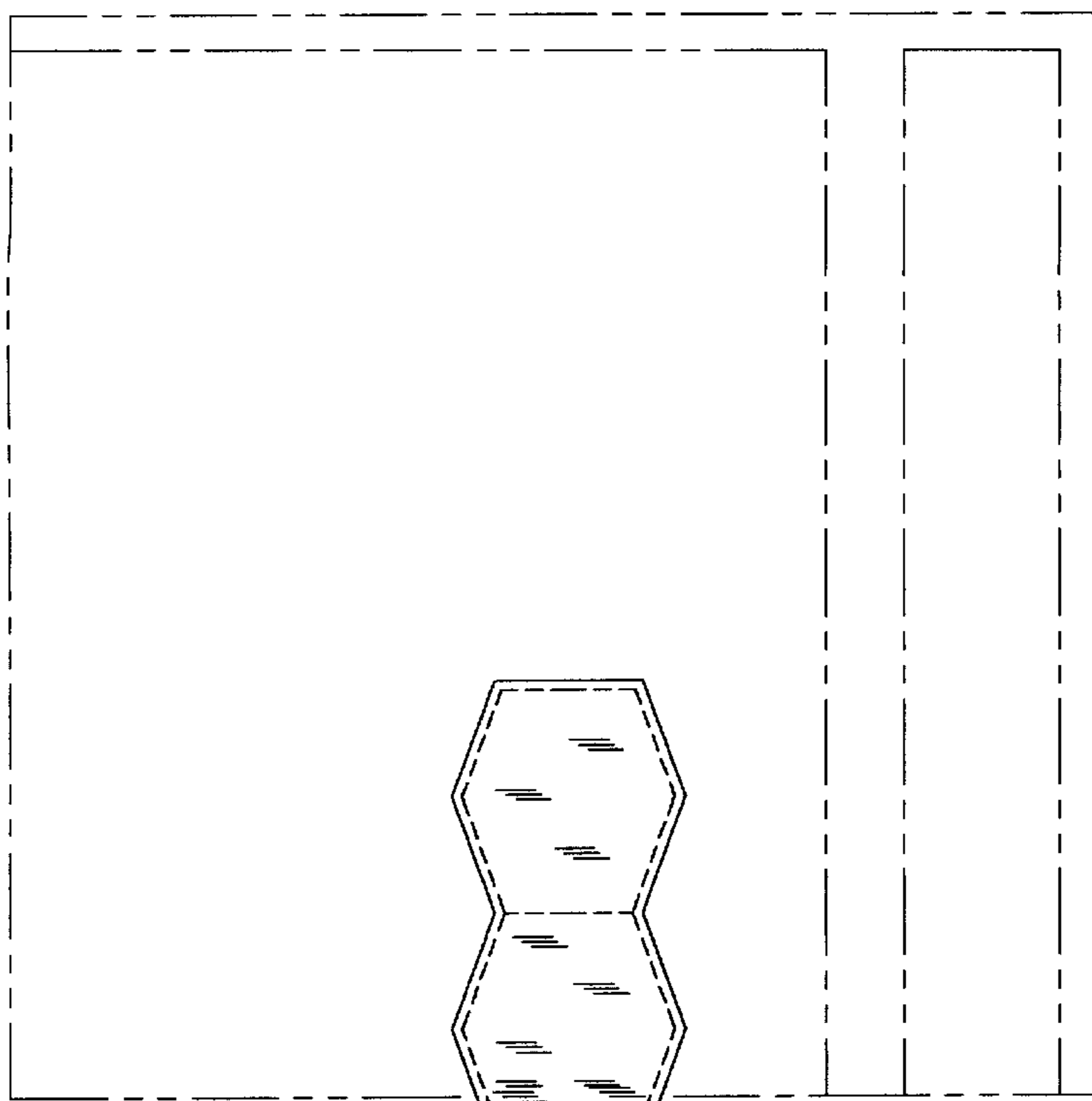


FIG. 19



FIG. 20

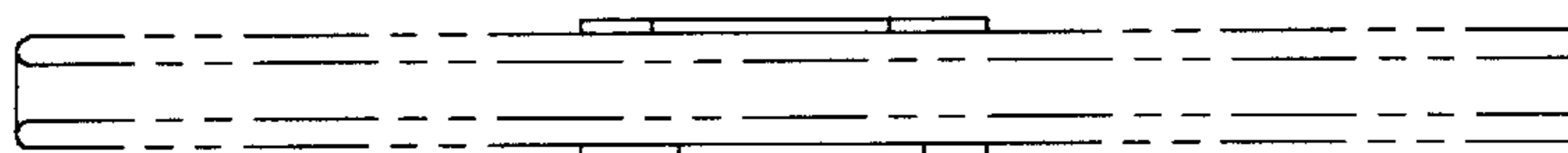


FIG. 21



FIG. 22



FIG. 23

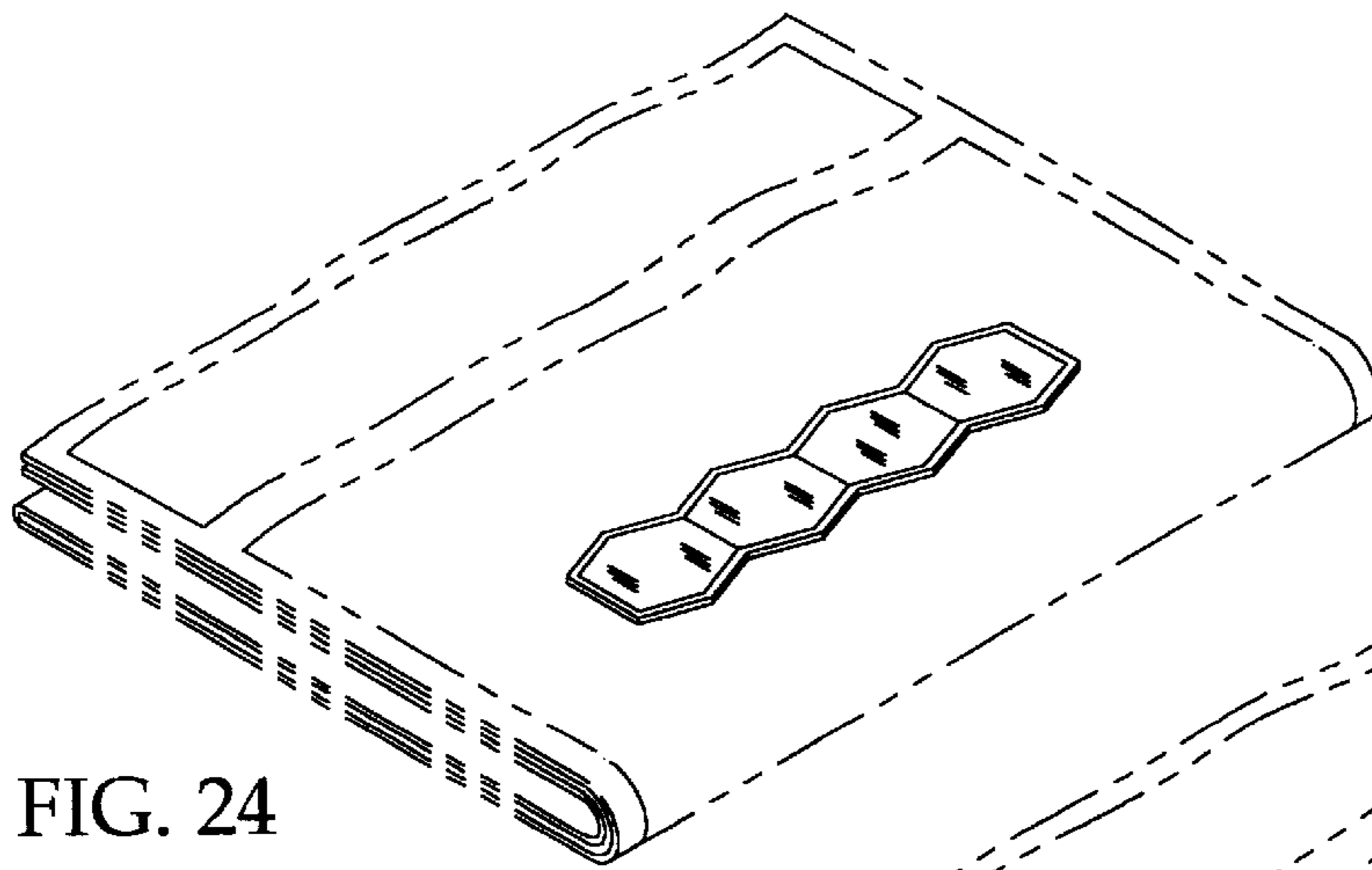


FIG. 24

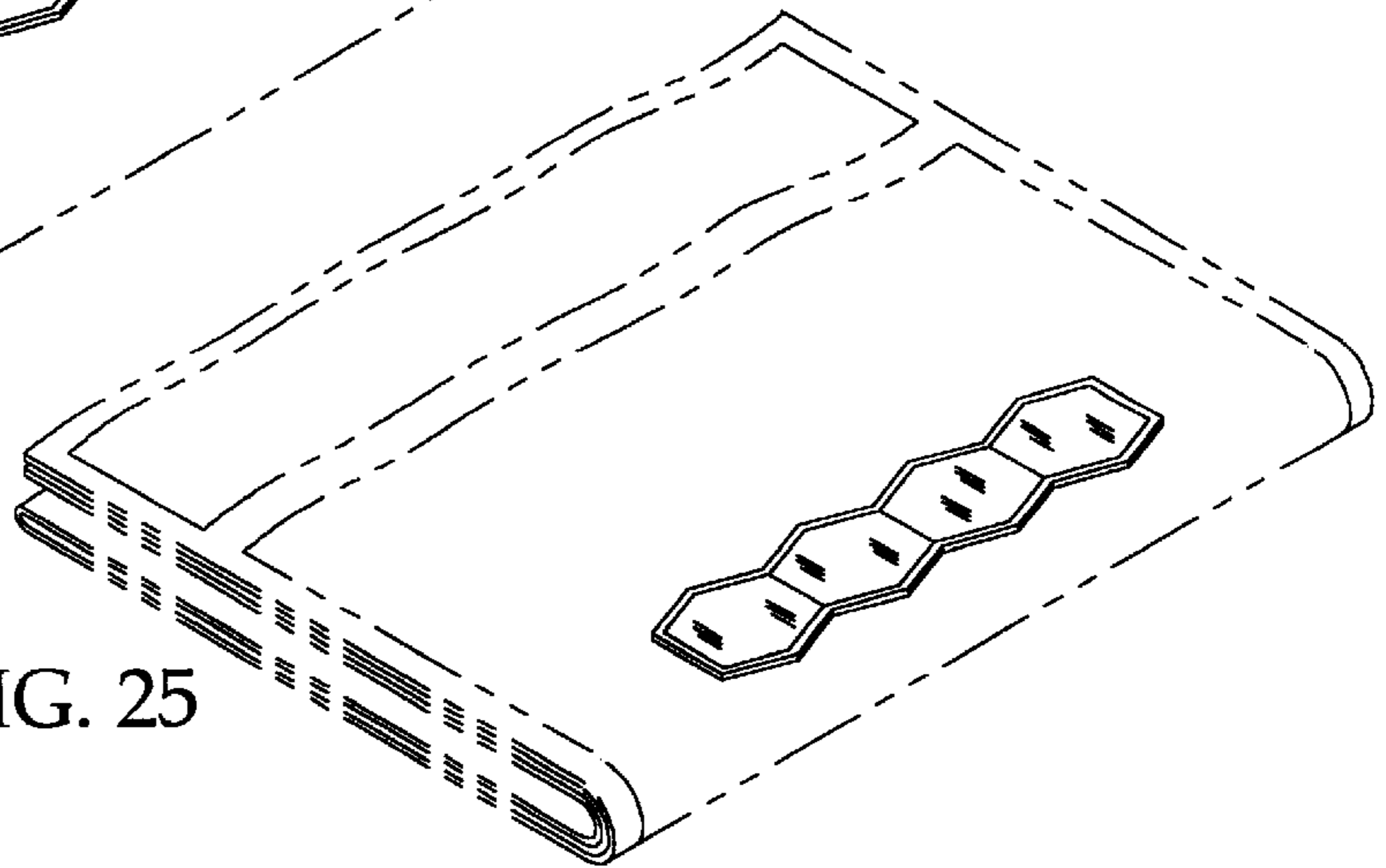


FIG. 25

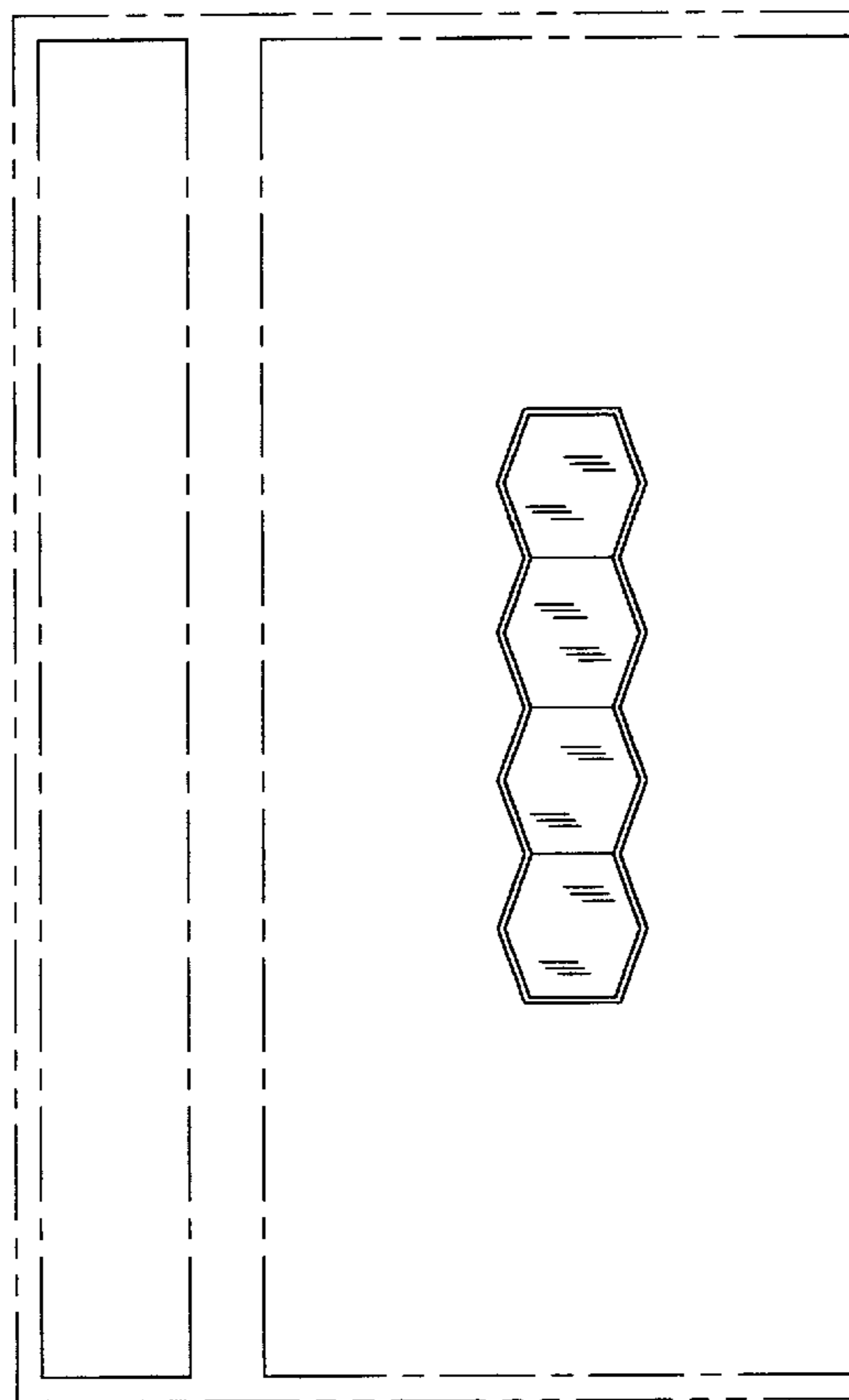


FIG. 26

FIG. 27

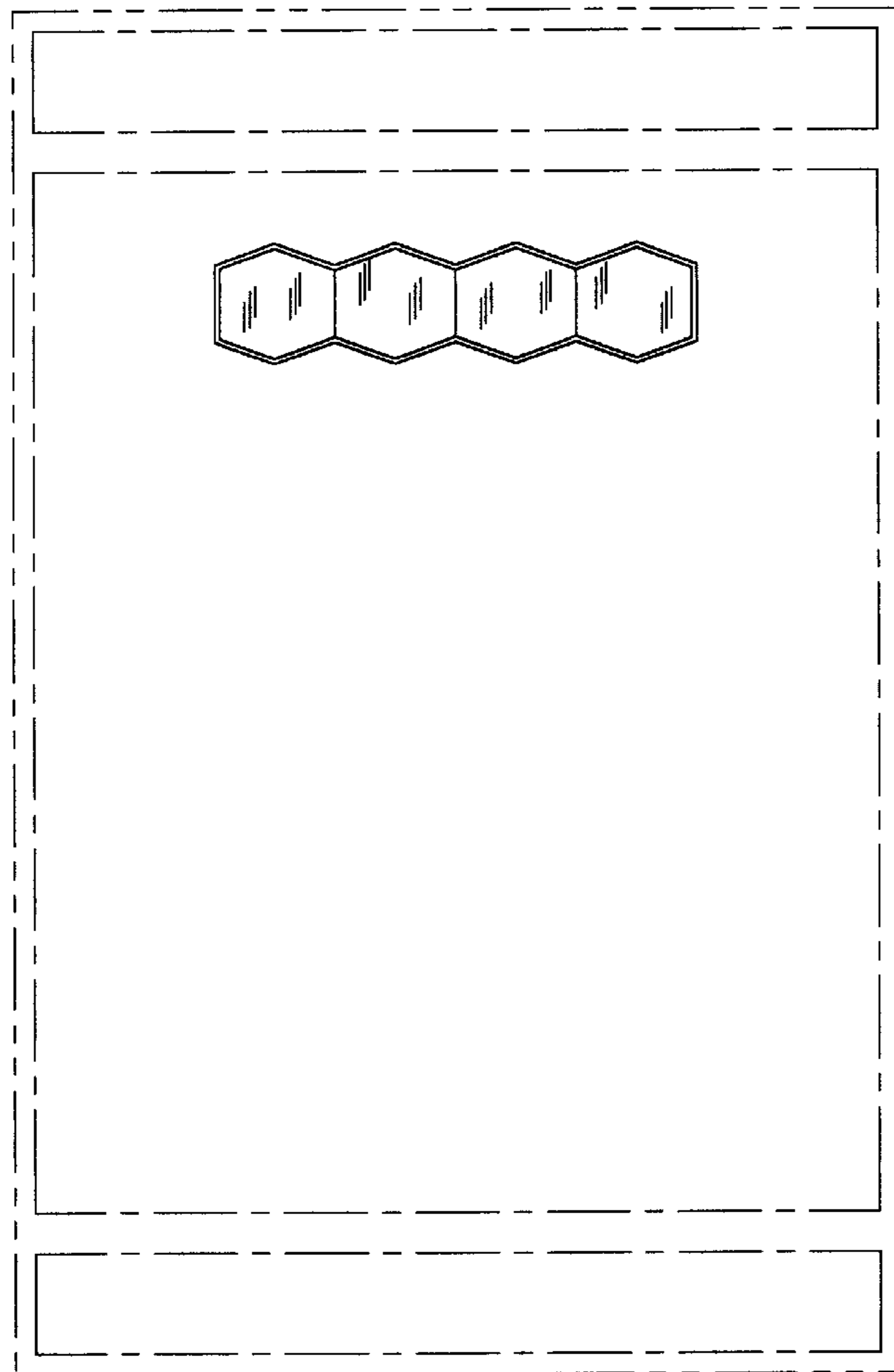
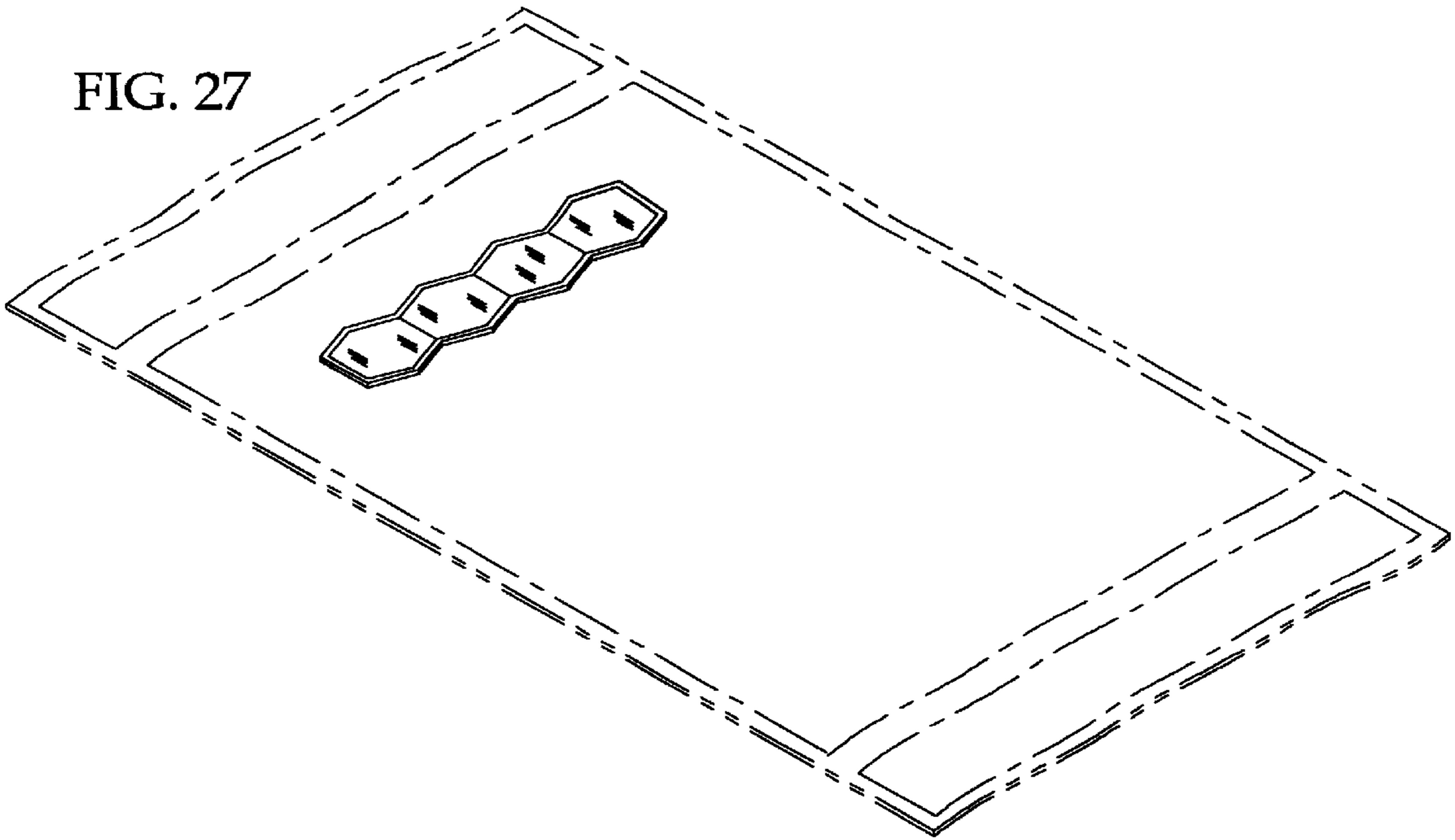


FIG. 28

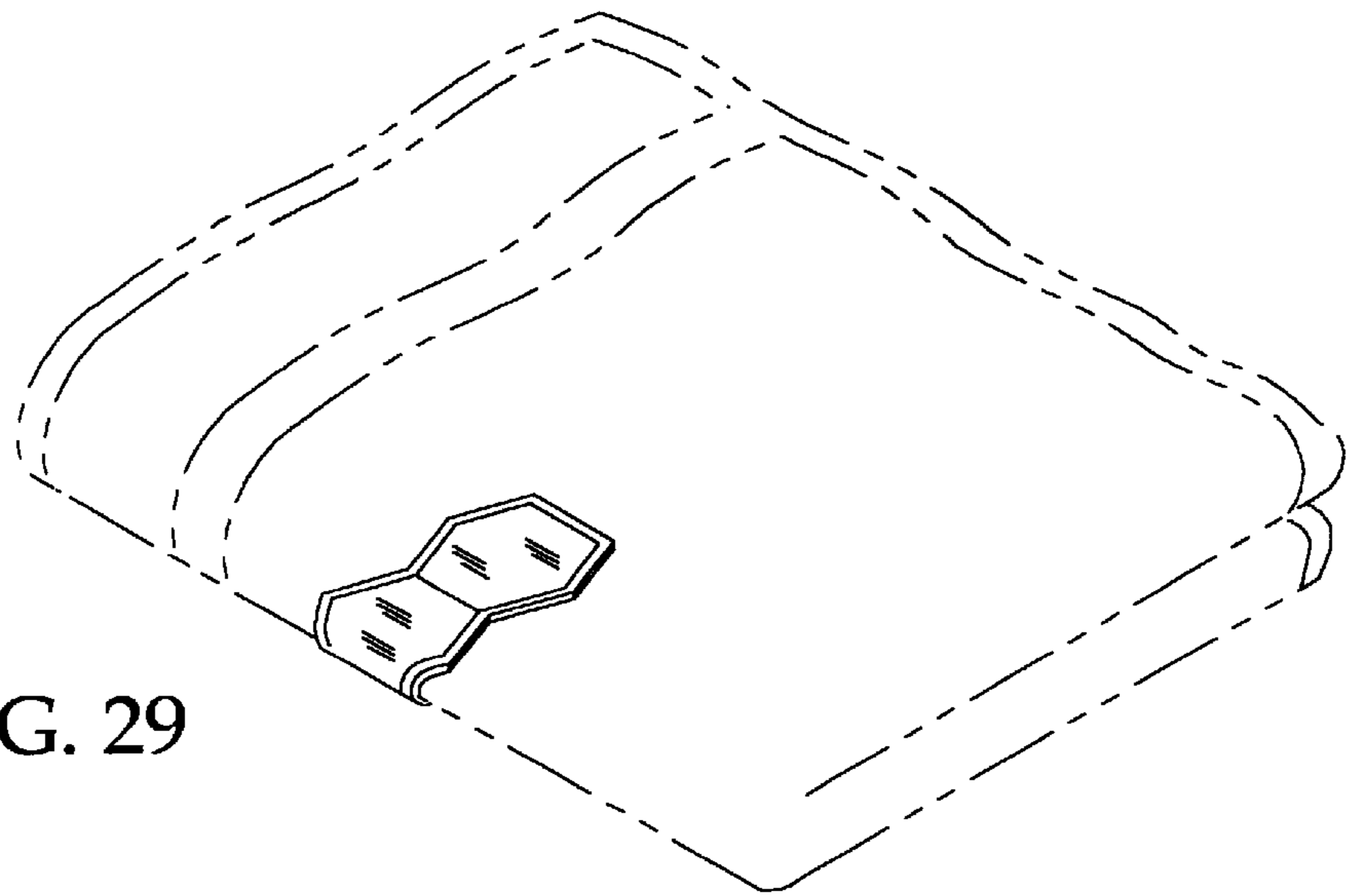


FIG. 29

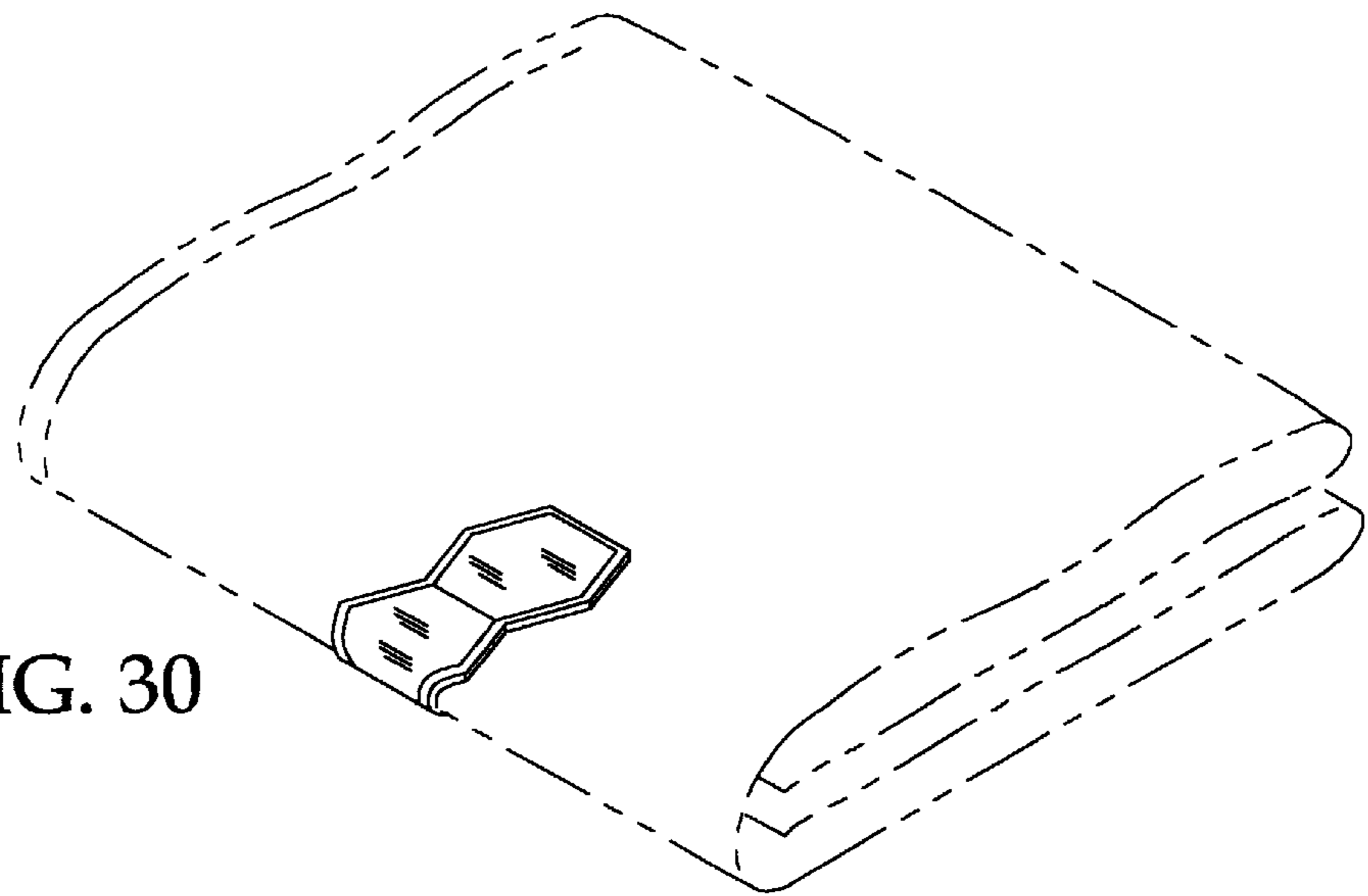


FIG. 30

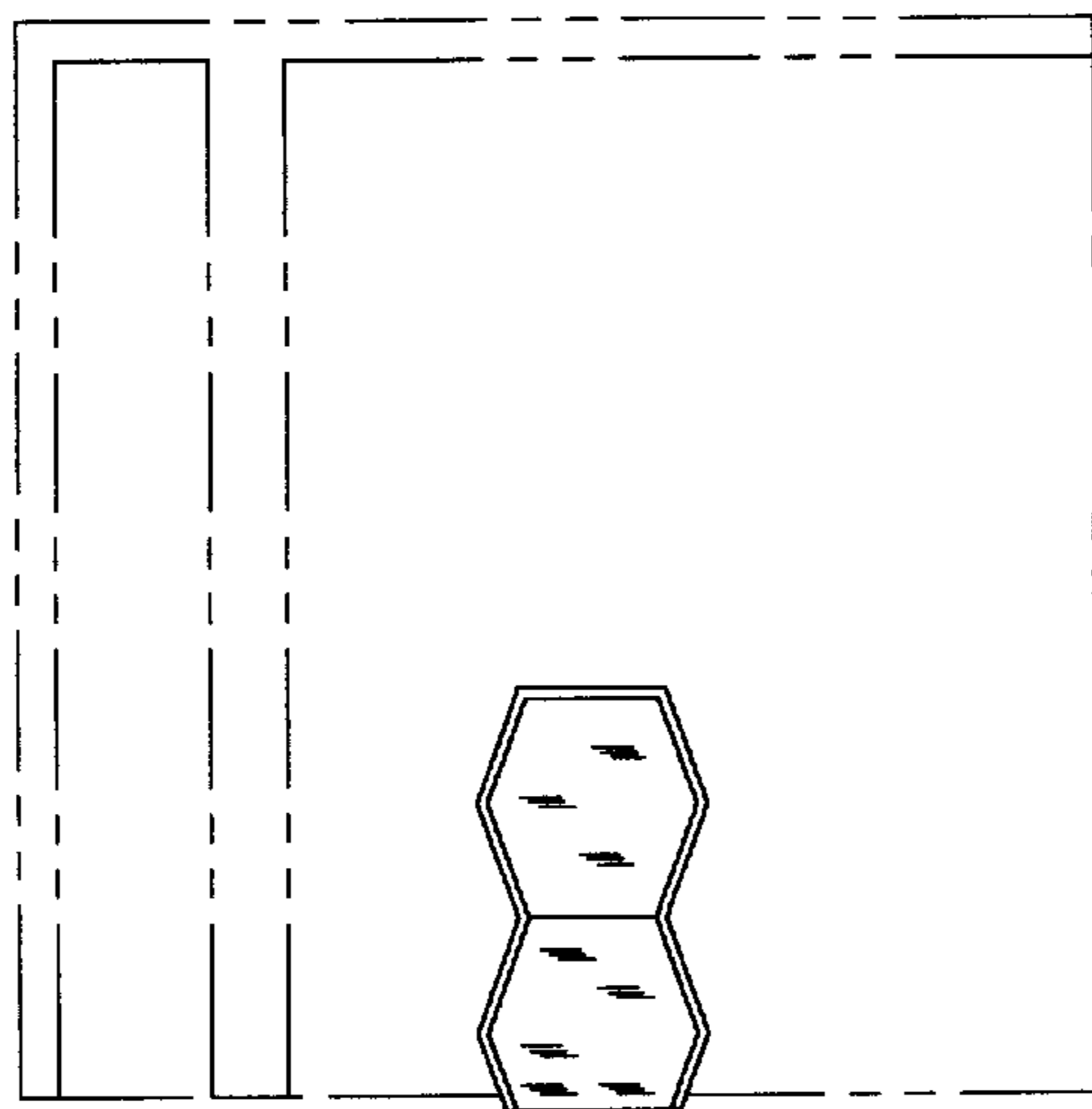


FIG. 31

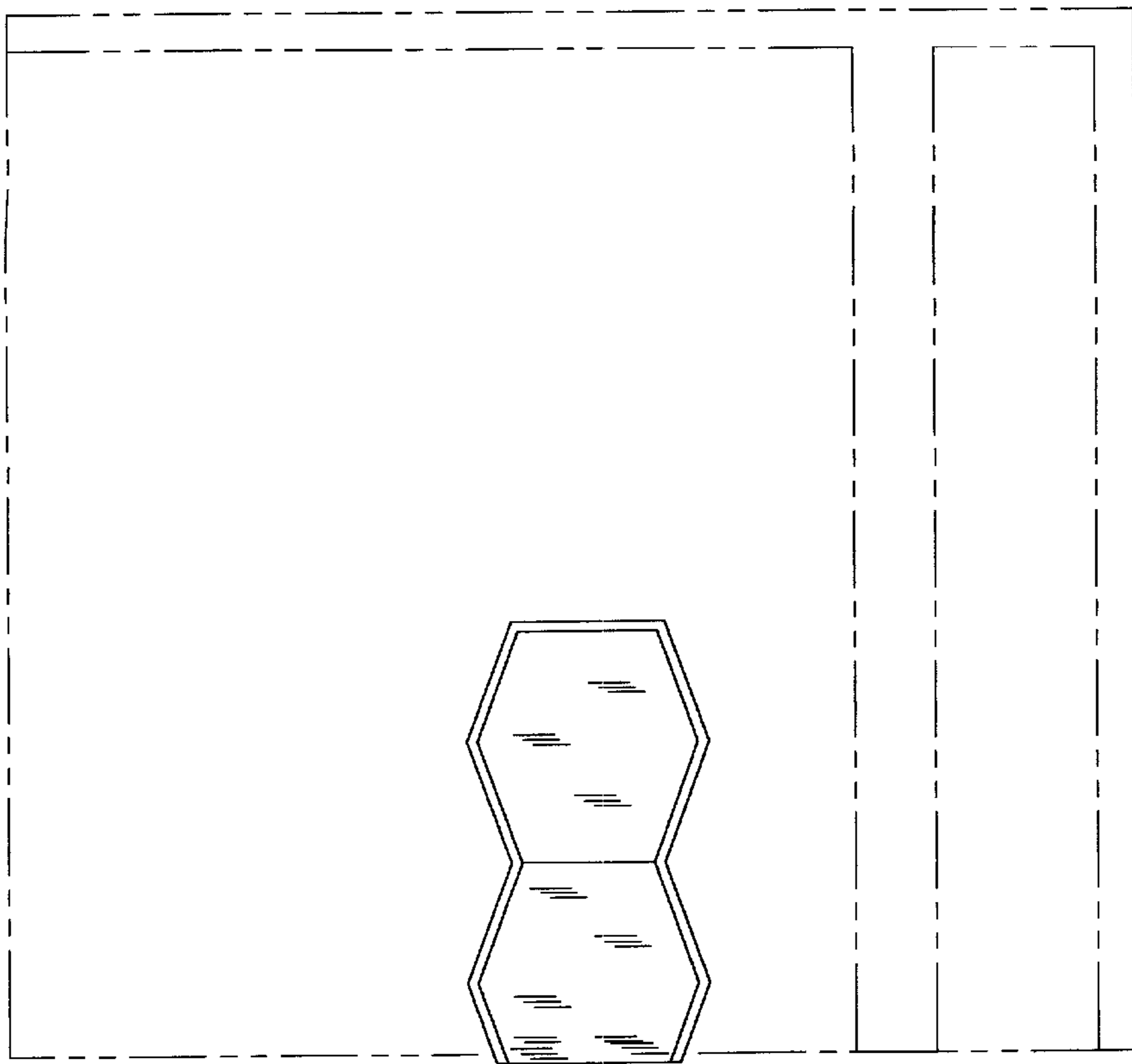


FIG. 32

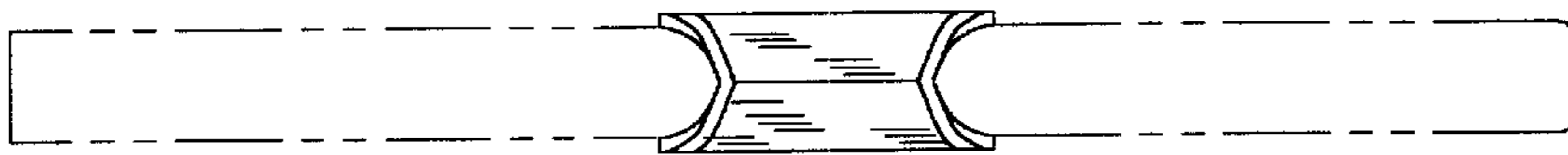


FIG. 33

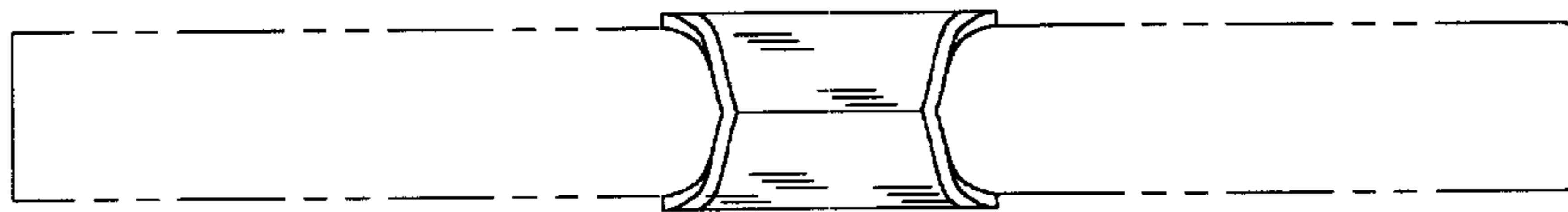


FIG. 34



FIG. 35