



US00D428926S

# United States Patent [19] Windorski

[11] Patent Number: **Des. 428,926**

[45] Date of Patent: **\*\* Aug. 1, 2000**

[54] SHEET DISPENSER

5,518,144 5/1996 Samuelson et al. .... 221/33  
5,769,270 6/1998 Fujisawa et al. .... 221/34

[75] Inventor: **David C. Windorski**, Woodbury, Minn.

*Primary Examiner*—Martie K. Holtje  
*Attorney, Agent, or Firm*—Michaele A. Hakamaki

[73] Assignee: **3M Innovative Properties Company**,  
St. Paul, Minn.

[\*\*] Term: **14 Years**

[57] **CLAIM**

The ornamental design for a sheet dispenser, as shown and described.

[21] Appl. No.: **29/113,153**

[22] Filed: **Oct. 29, 1999**

### DESCRIPTION

[51] **LOC (7) Cl.** ..... **19-02**

[52] **U.S. Cl.** ..... **D19/86; D19/92; D6/518**

[58] **Field of Search** ..... D6/515, 518; D19/65,  
D19/67-69, 75, 76, 78, 86, 91, 92, 95,  
99, 100; 206/215, 557; 211/13, 126.13;  
221/35, 36, 45, 46, 33, 47-49, 51, 52, 56,  
61, 63, 185, 197, 281, 282

FIG. 1 is an isometric view of a first embodiment of a sheet dispenser according to the present invention;

FIG. 2 is a top plan view of the sheet dispenser illustrated in FIG. 1;

FIG. 3 is a bottom plan view of the sheet dispenser illustrated in FIG. 1;

FIG. 4 is a front view of the sheet dispenser illustrated in FIG. 1, the rear view being the mirror image thereof;

FIG. 5 is a left side view of the sheet dispenser illustrated in FIG. 1, the right side view being the mirror image thereof;

FIG. 6 is an isometric view of a second embodiment of a sheet dispenser according to the present invention;

FIG. 7 is a top plan view of the sheet dispenser illustrated in FIG. 6;

FIG. 8 is a bottom plan view of the sheet dispenser illustrated in FIG. 6;

FIG. 9 is a front view of the sheet dispenser illustrated in FIG. 6, the rear view being the mirror image thereof; and,

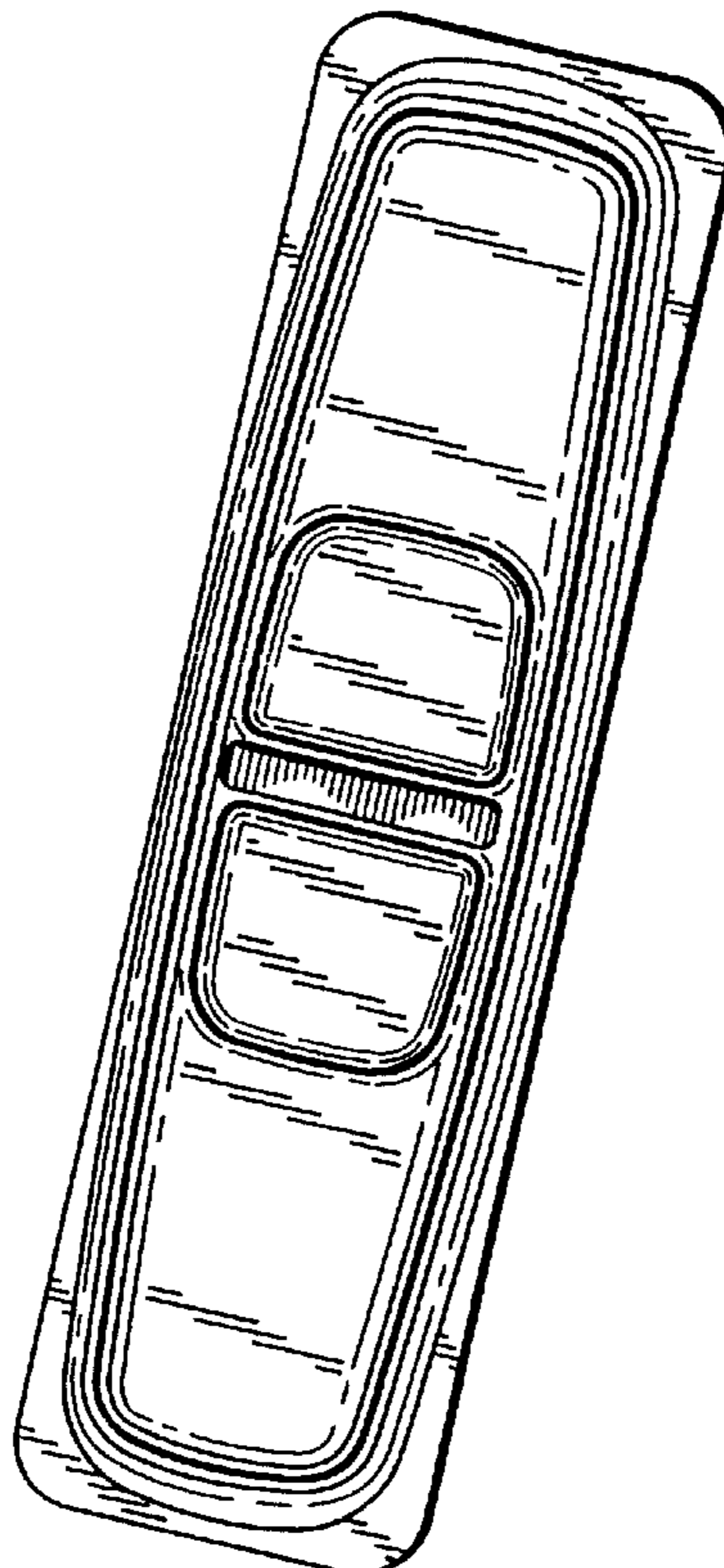
FIG. 10 is a left side view of the sheet dispenser illustrated in FIG. 6, the right side view being the mirror image thereof.

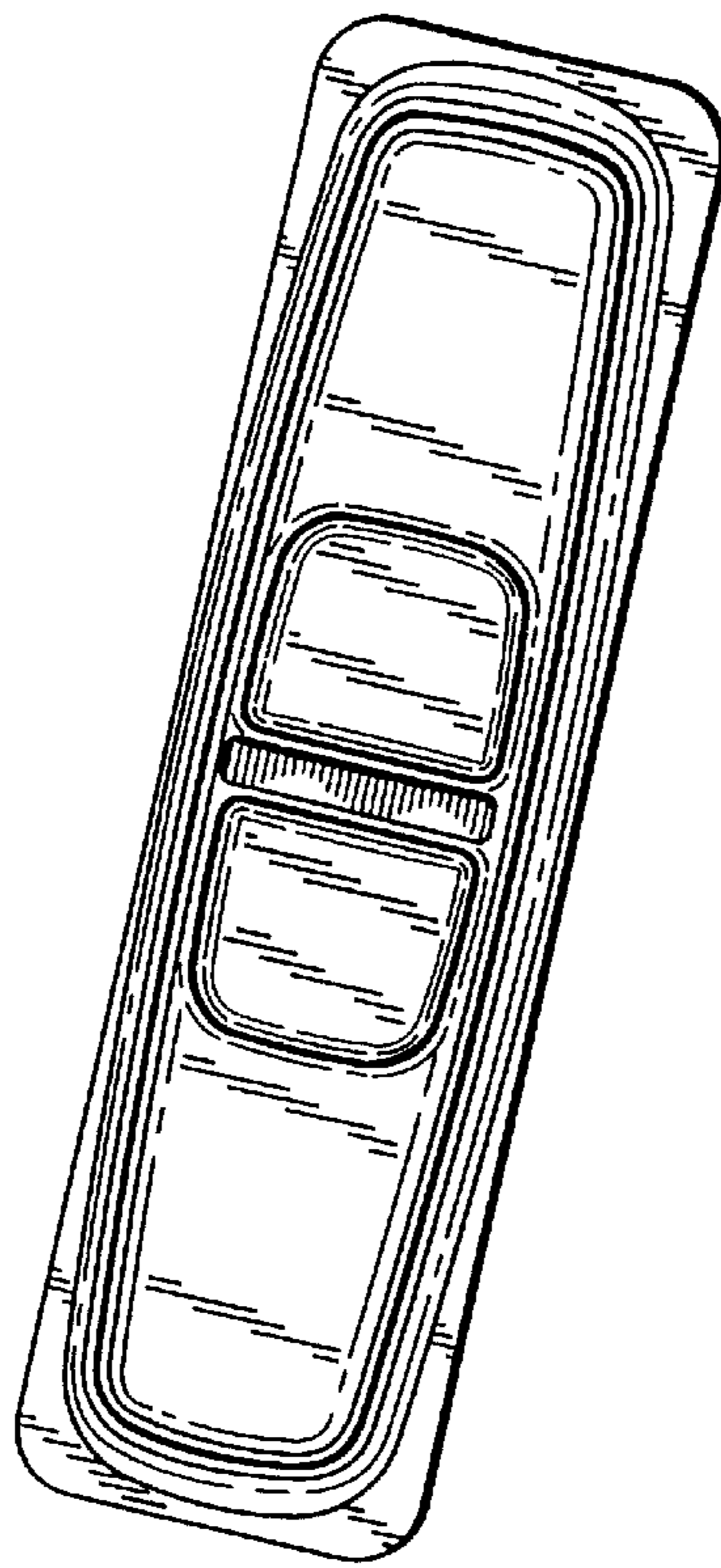
### [56] References Cited

#### U.S. PATENT DOCUMENTS

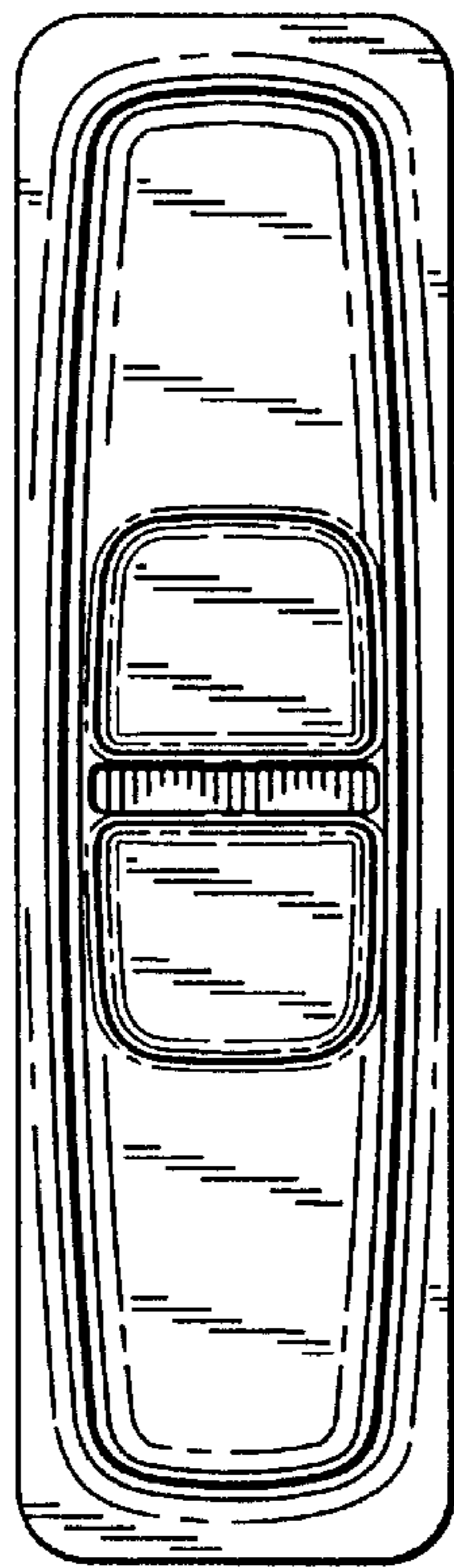
D. 198,936	8/1964	Leotta	.....	D6/518
D. 306,462	3/1990	Miles et al.	.....	D19/69
D. 331,075	11/1992	Dotterman et al.	.....	D19/86
D. 357,938	5/1995	Wolff	.....	D19/86
D. 396,492	7/1998	Carlson	.....	D19/86
D. 419,601	1/2000	Windorski	.....	D19/86
1,135,658	4/1915	Brown et al.	.....	221/45
4,770,320	9/1988	Miles et al.	.....	221/33
4,907,825	3/1990	Miles et al.	.....	281/51
5,080,255	1/1992	Windorski	.....	221/45
5,167,346	12/1992	Bodziak	.....	221/63

**1 Claim, 4 Drawing Sheets**

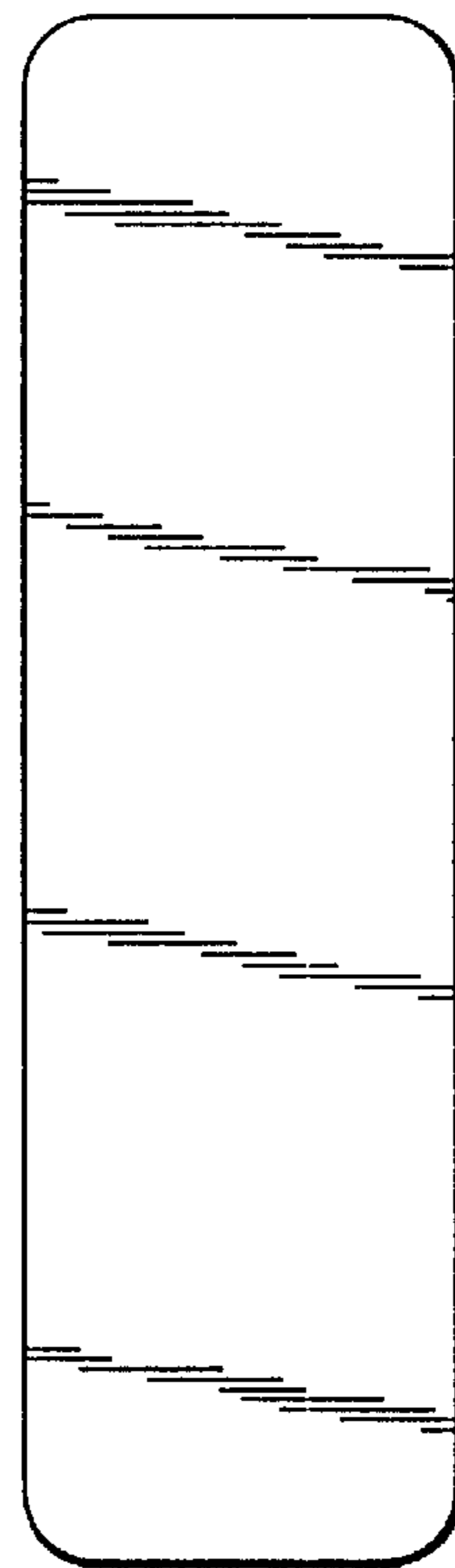




**Fig. 1**



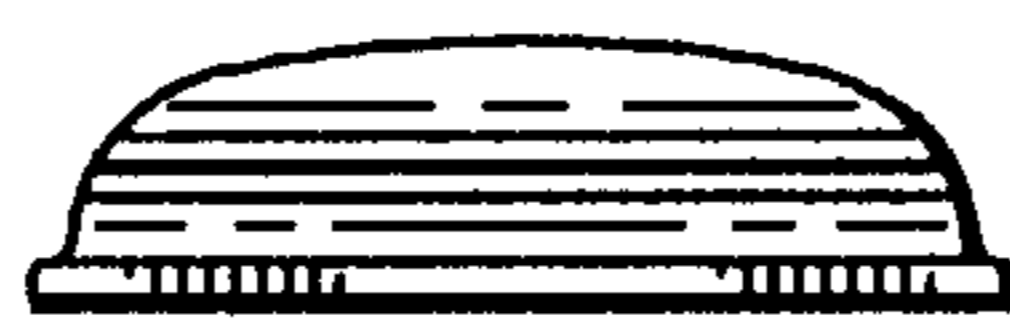
**Fig. 2**



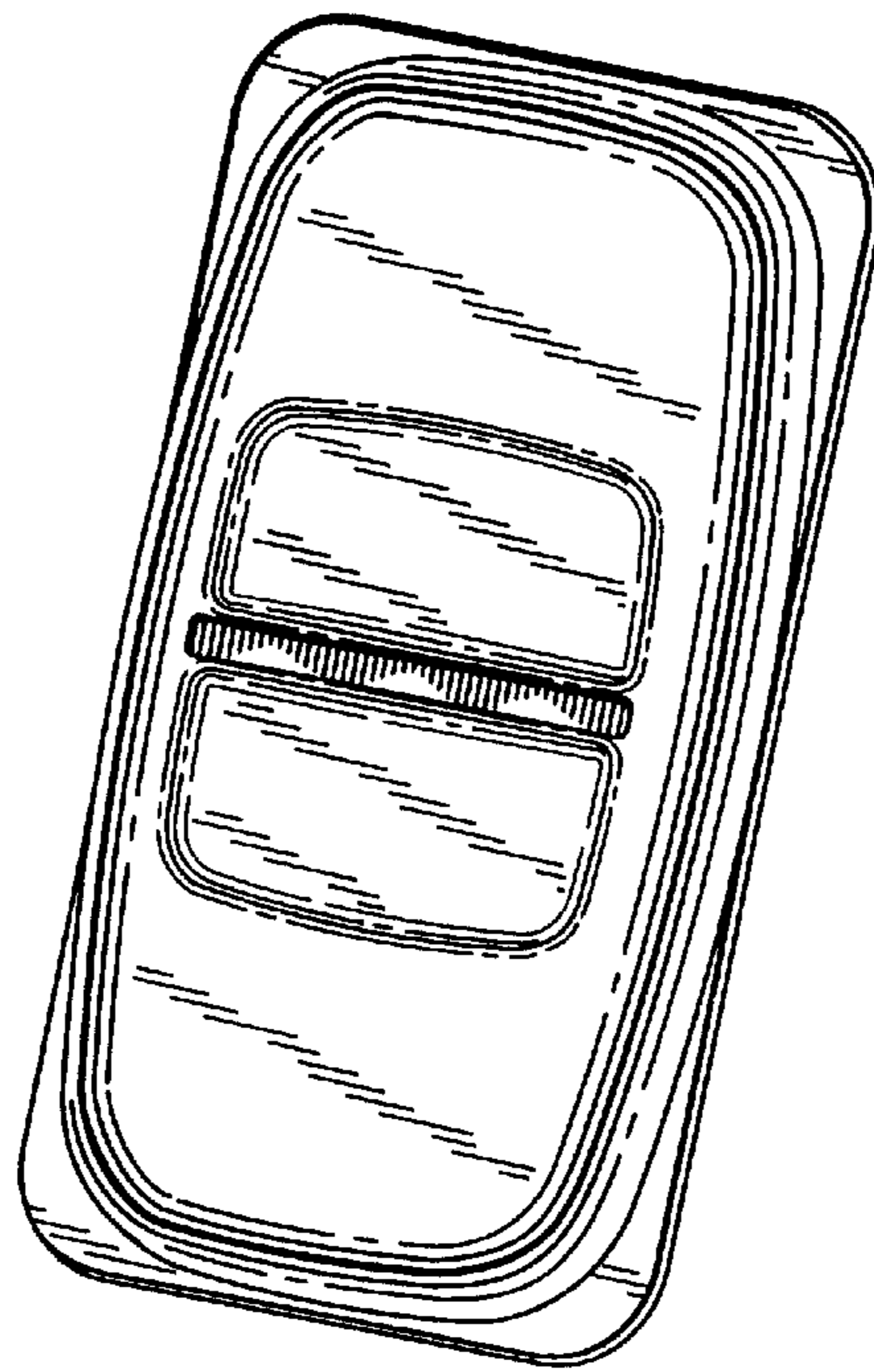
**Fig. 3**



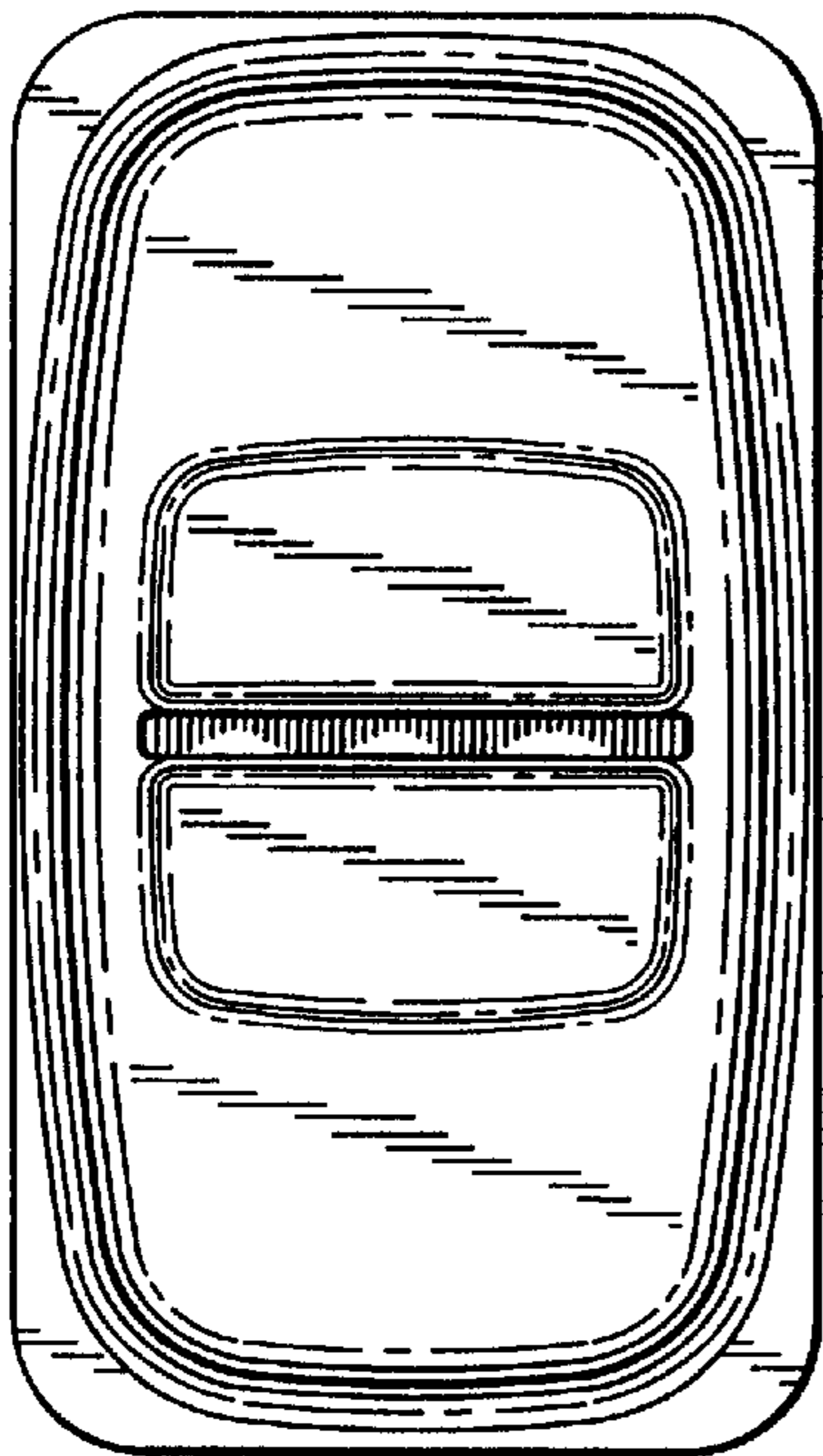
**Fig. 4**



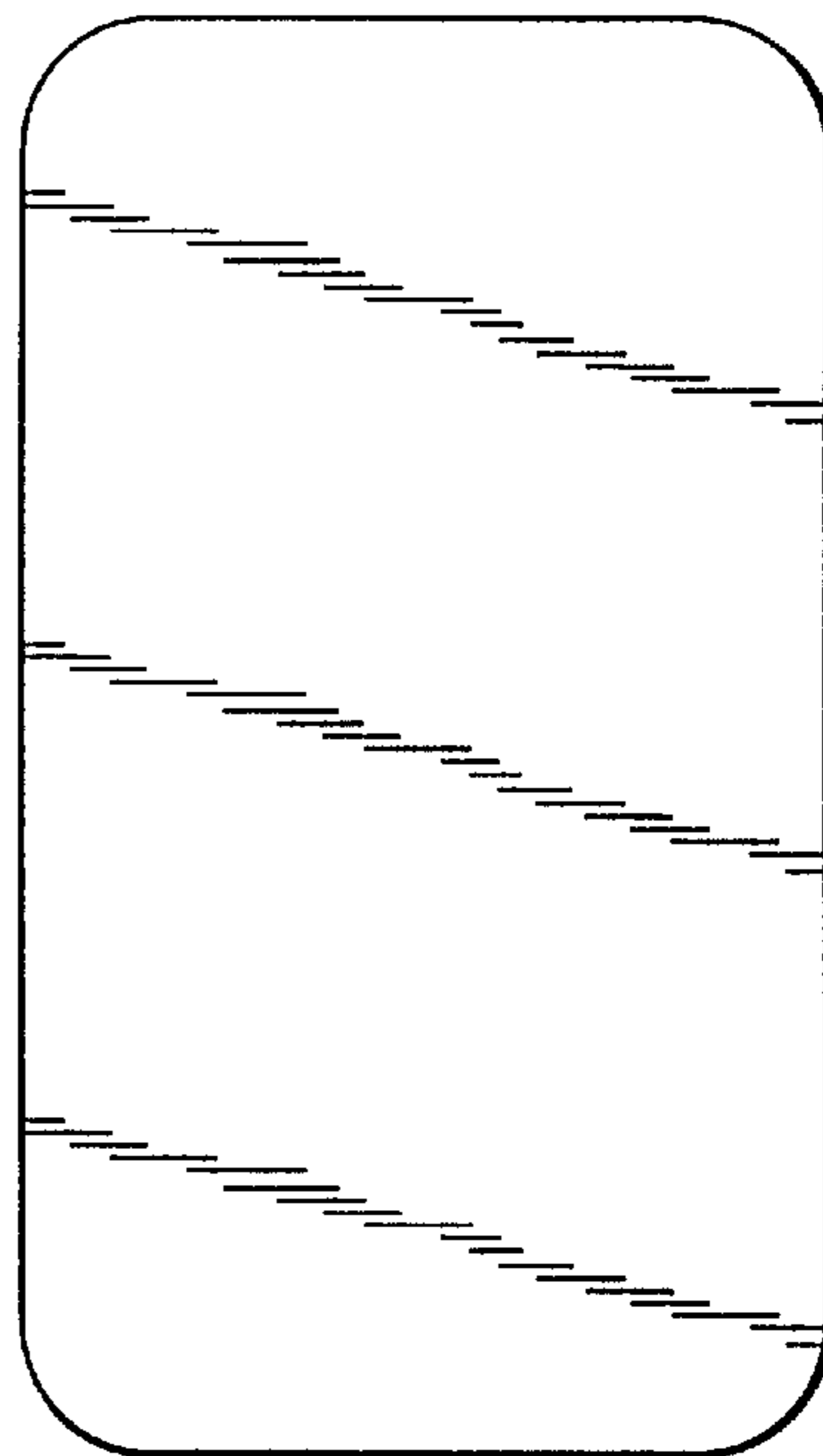
**Fig. 5**



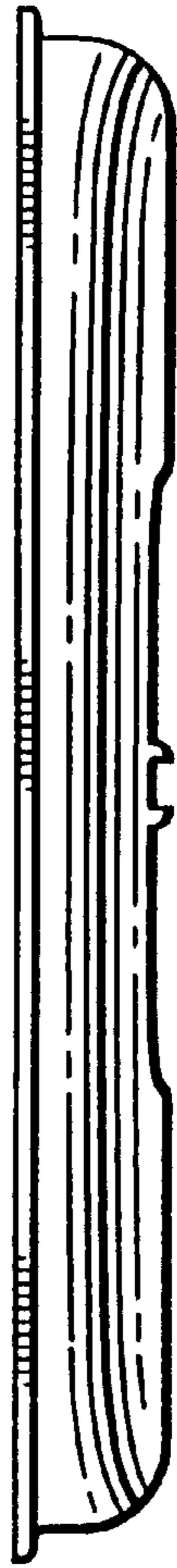
**Fig. 6**



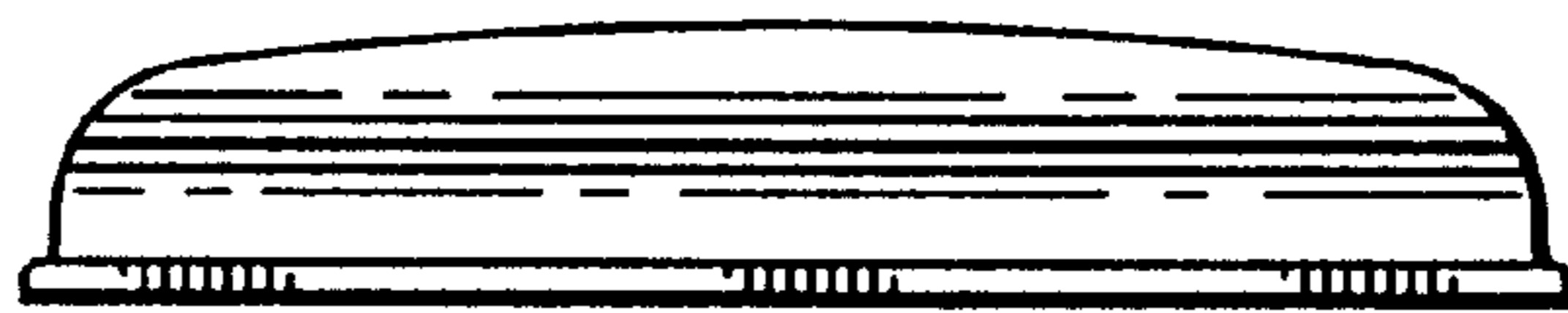
**Fig. 7**



**Fig. 8**



**Fig. 9**



**Fig. 10**