



US00D428924S

# United States Patent [19]

[11] Patent Number: Des. 428,924

Brouwer et al.

[45] Date of Patent: \*\* Aug. 1, 2000

[54] **HOLDER FOR A FOUNTAIN PEN AND INK CARTRIDGES**

D. 156,091 11/1949 Gardiner ..... D19/93 X  
D. 214,105 5/1969 Cline ..... D19/36  
D. 311,027 10/1990 Yuen ..... D19/73

[76] Inventors: **Markus Franciscus Brouwer**,  
Krabbenhoek 13, 5384 MS Heesch;  
**Eelco Han De Man**, Ridderstraat 14,  
5704 VP Helmond, both of Netherlands

*Primary Examiner*—Martie K. Holtje  
*Attorney, Agent, or Firm*—Hill & Simpson

[\*\*] Term: **14 Years**

[57] **CLAIM**

The ornamental design for a holder for a fountain pen and ink cartridges, as shown and described.

[21] Appl. No.: **29/108,425**

**DESCRIPTION**

[22] Filed: **Jul. 27, 1999**

[30] **Foreign Application Priority Data**

Jan. 28, 1999 [CH] Switzerland ..... 125883

[51] **LOC (7) Cl.** ..... **19-06**

[52] **U.S. Cl.** ..... **D19/85; D19/93; D19/95; D19/77**

[58] **Field of Search** ..... D19/35, 36, 73,  
D19/77, 81-85, 93, 95, 96, 99, 100; 206/214,  
224, 371; 211/69, 69.1-69.9, 70.6; 401/52,  
195, 119

FIG. 1 is a perspective view taken from the top front end of the holder for a fountain pen and ink cartridges according to the present invention;

FIG. 2 is a perspective view taken from the top and rear of the holder according to the present invention;

FIG. 3 is a rear elevational view of the holder according to the present invention;

FIG. 4 is a elevational view of the left side of the holder of FIG. 3;

FIG. 5 is an elevational view of the right side of the holder of FIG. 3;

FIG. 6 is an elevational view of the front of the holder of FIG. 1;

FIG. 7 is a top plan view of the holder of FIG. 1; and,

FIG. 8 is a bottom plan view of the holder of FIG. 1.

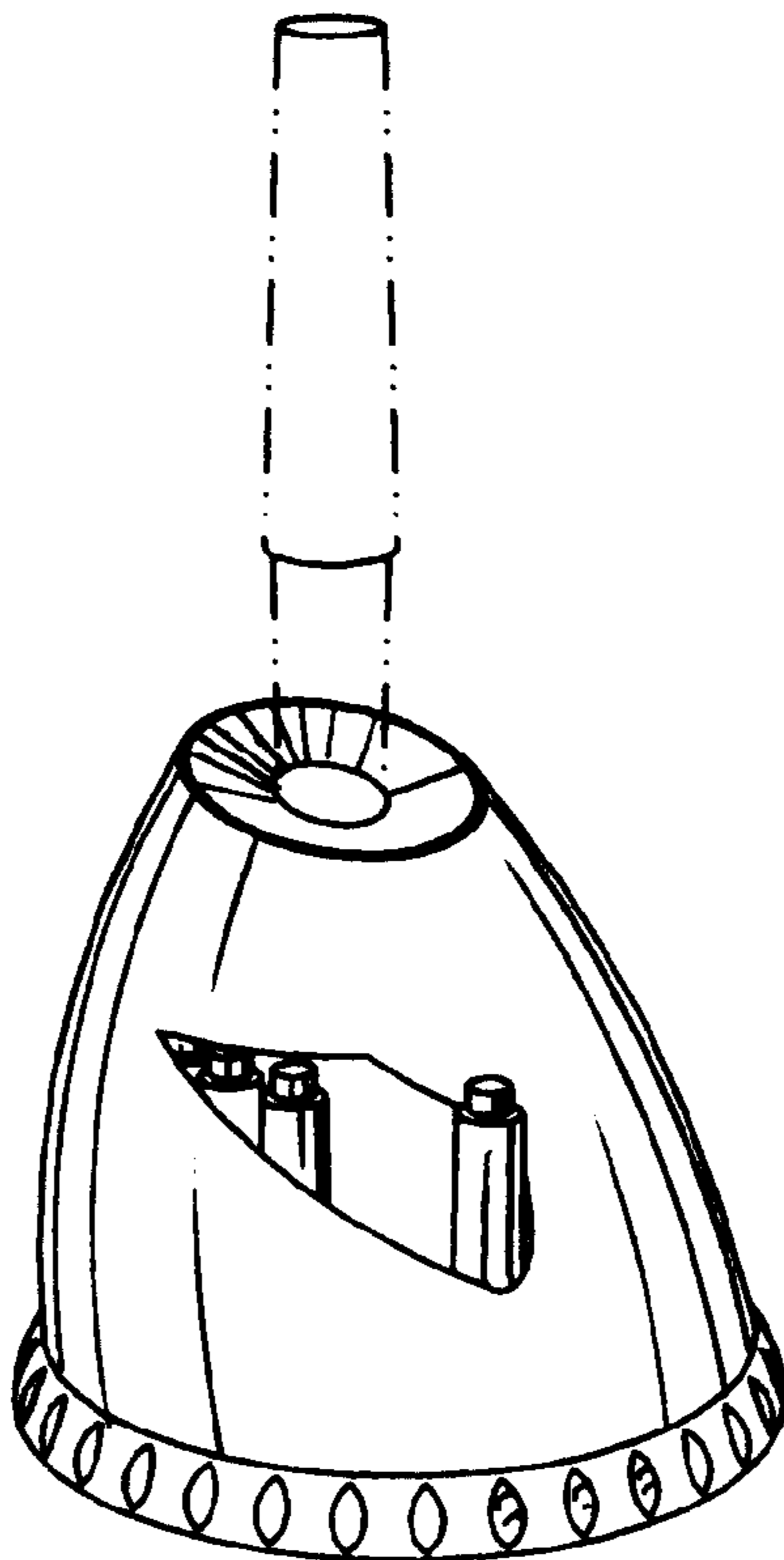
The fountain pen depicted by means of broken lines in FIGS. 1 through 7 has been shown for illustrative purposes only and form no part of the claimed design.

[56] **References Cited**

**U.S. PATENT DOCUMENTS**

D. 021,500 4/1892 Cherry ..... D19/93 X  
D. 038,186 8/1906 Numan ..... D19/93  
D. 076,357 9/1928 Shoemaker ..... D19/93  
0,115,041 5/1871 Duncan ..... 211/69.1  
0,128,163 6/1872 Morgan ..... 211/69.1

**1 Claim, 1 Drawing Sheet**



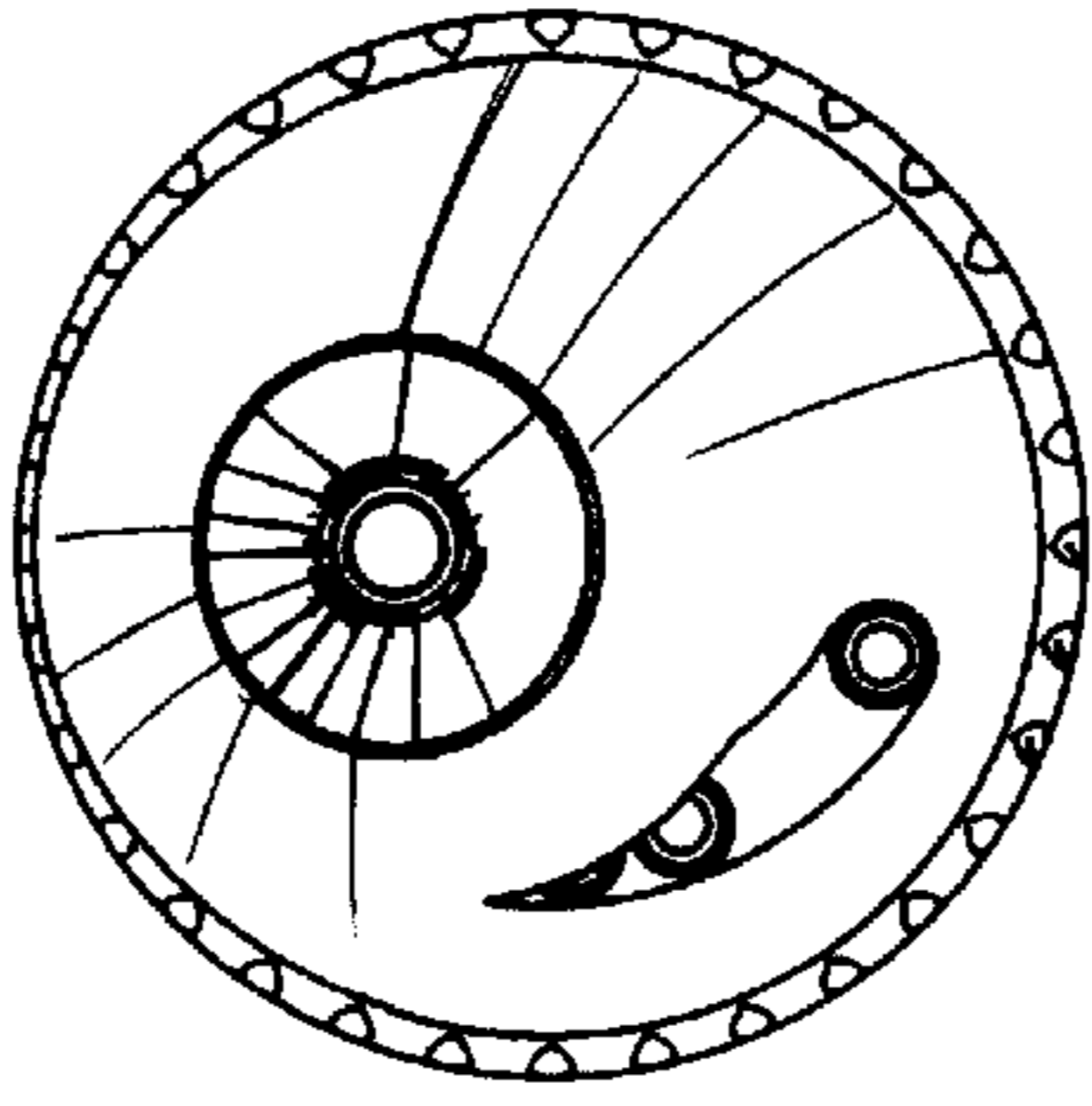
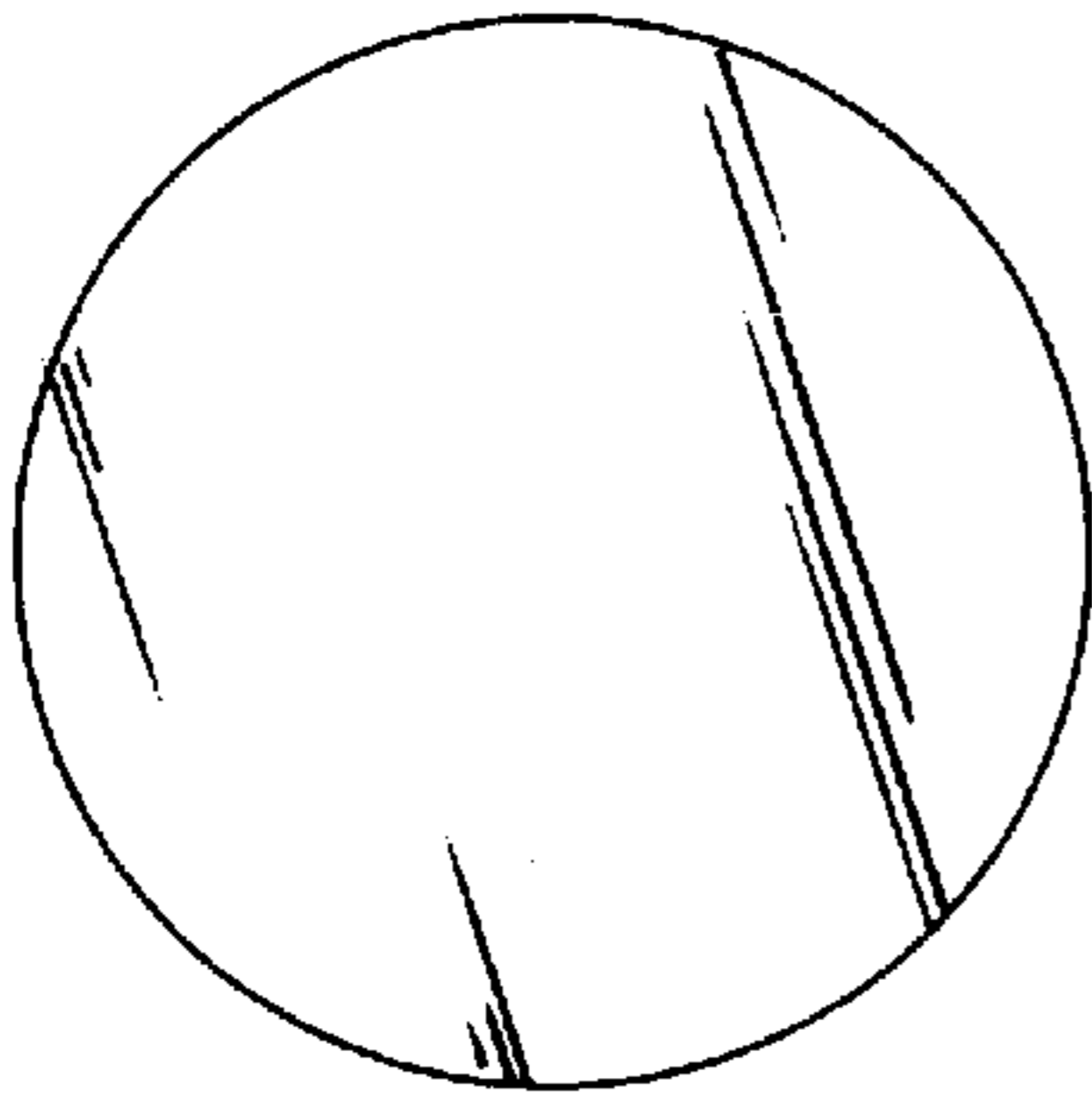
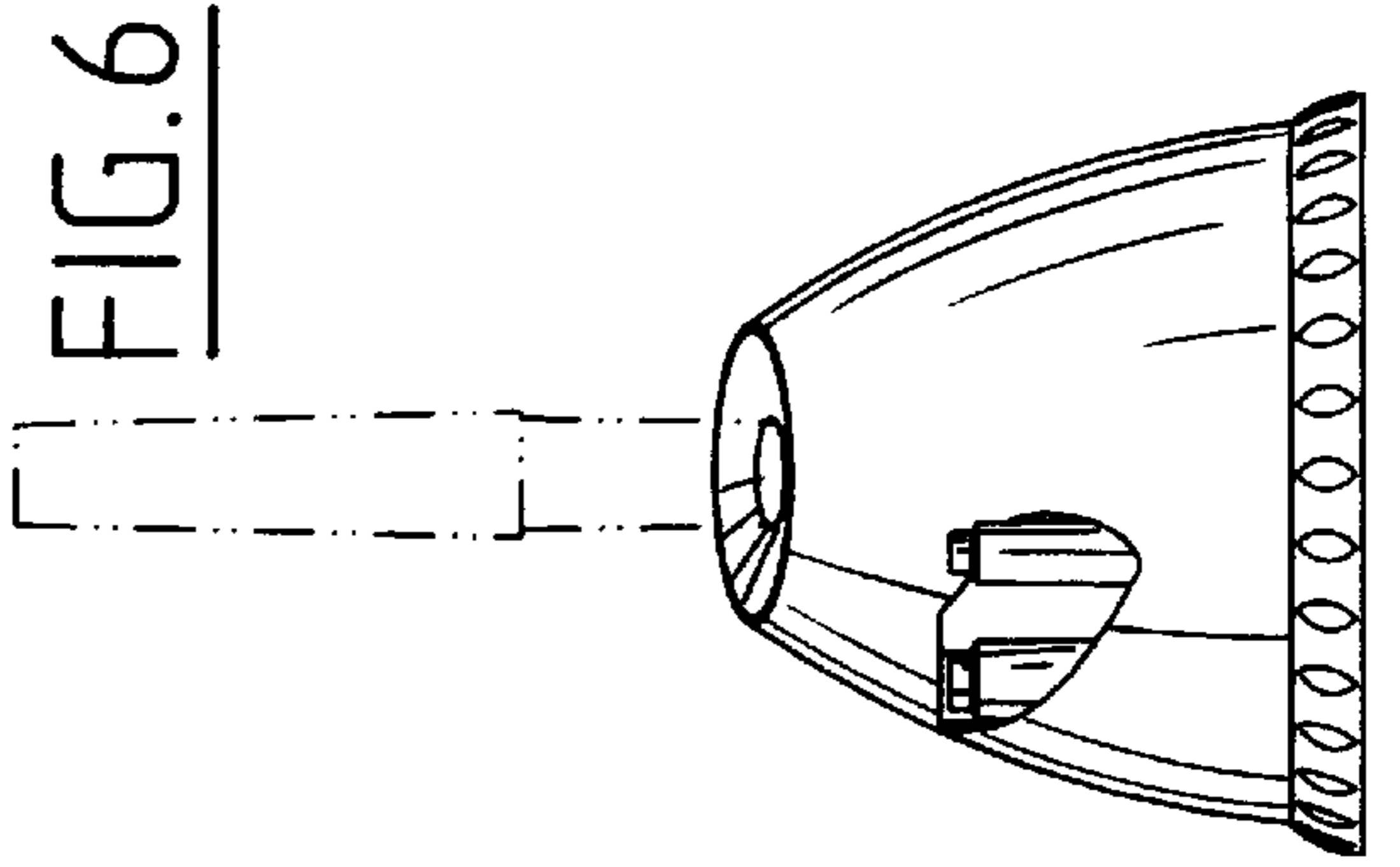
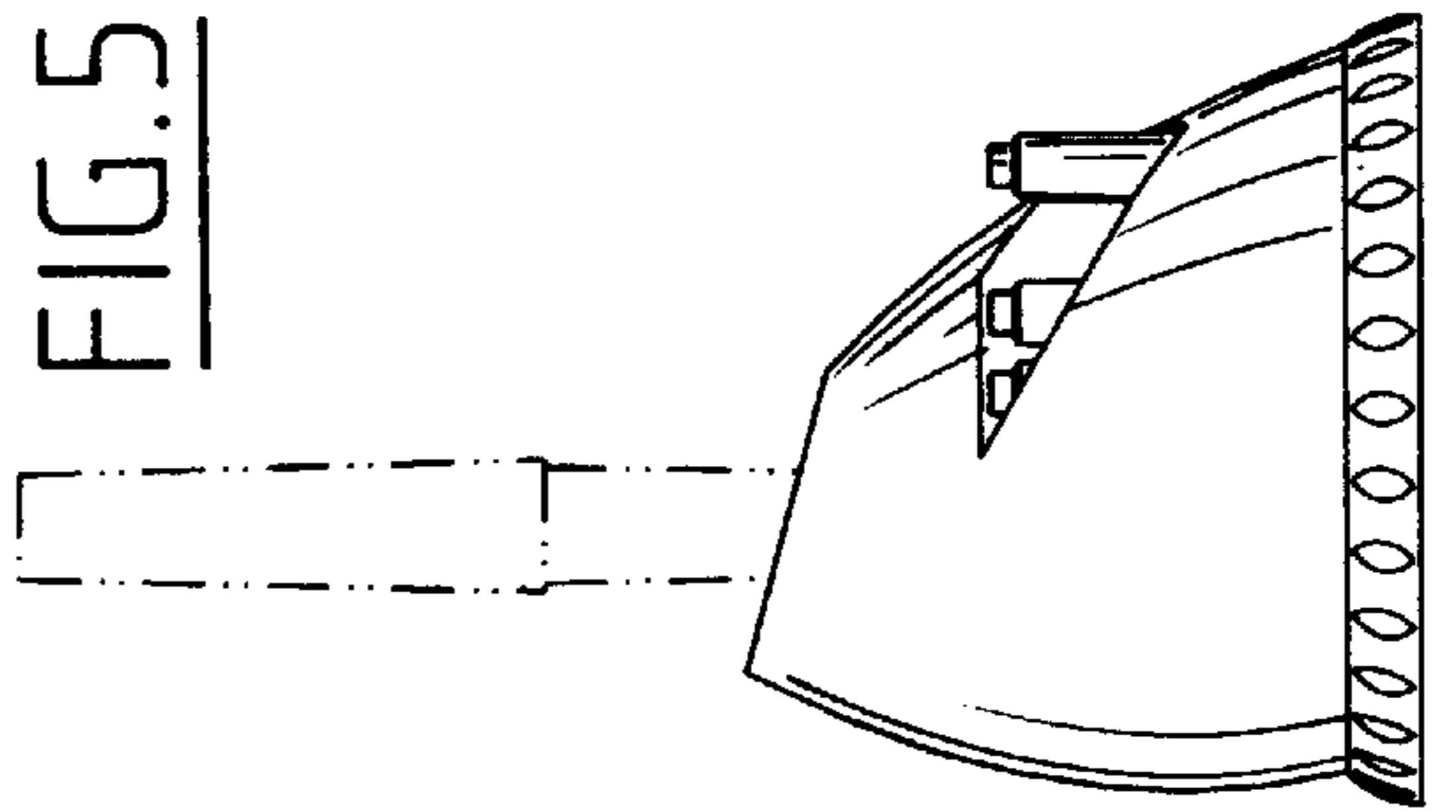
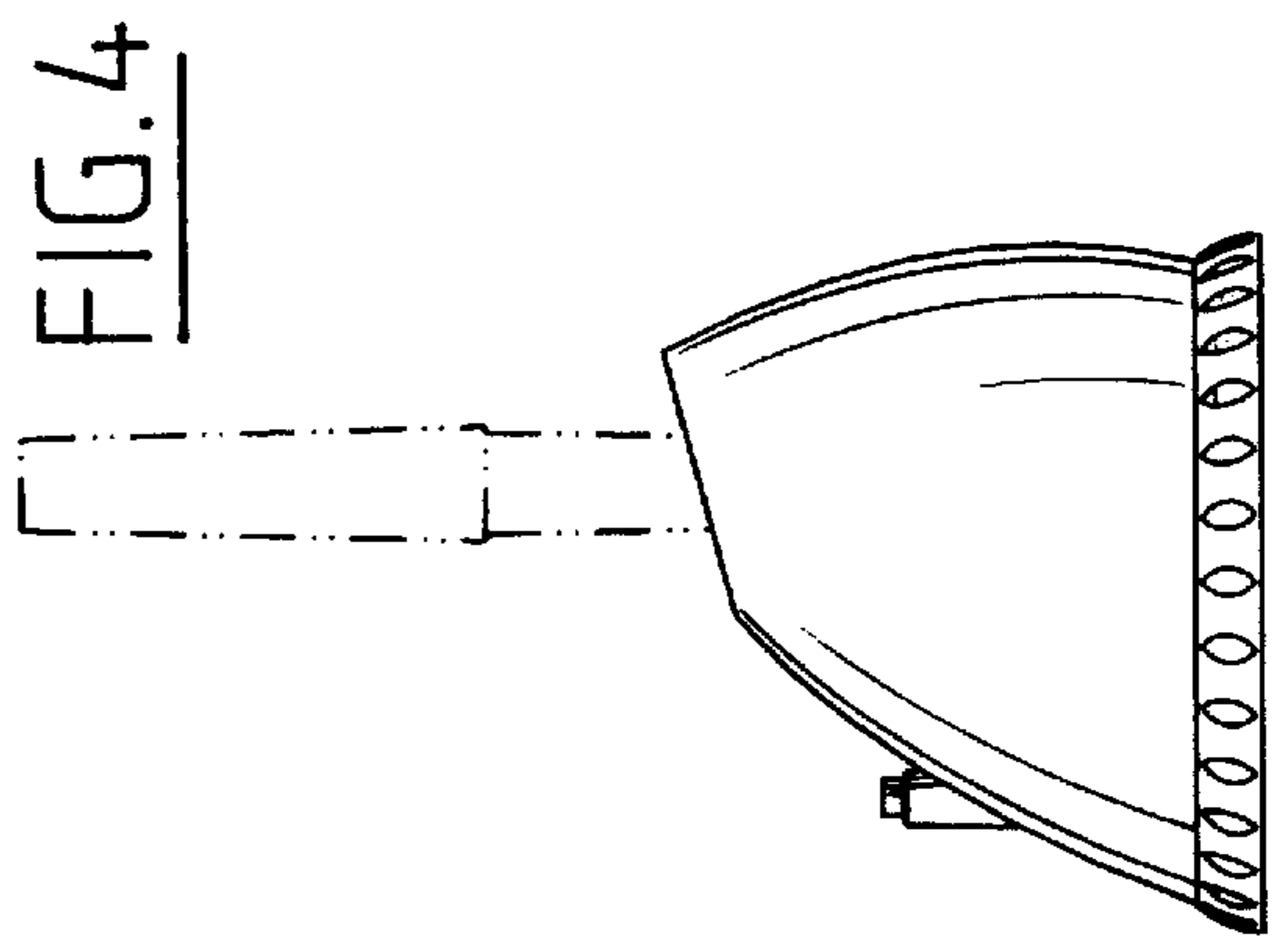
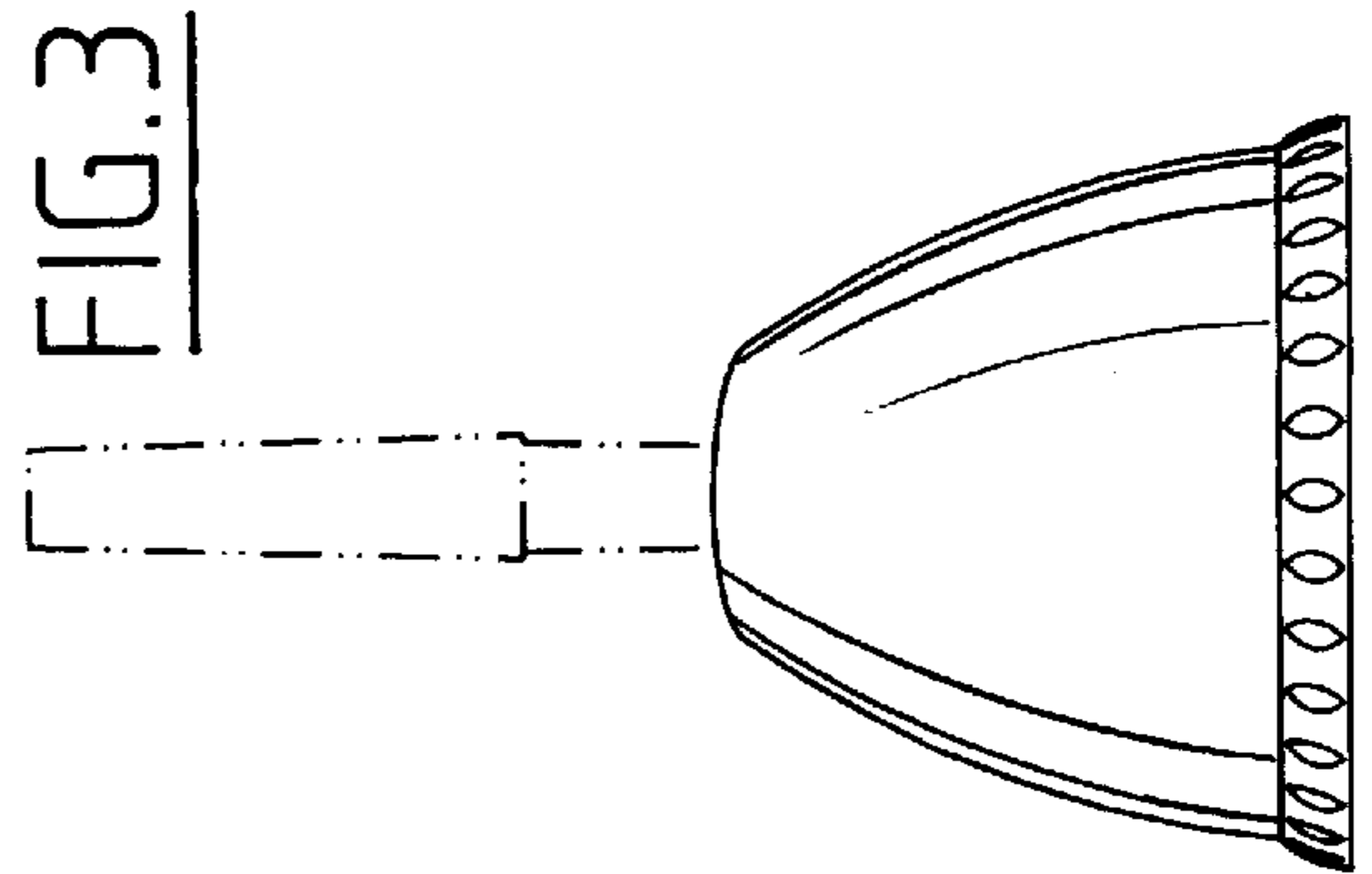
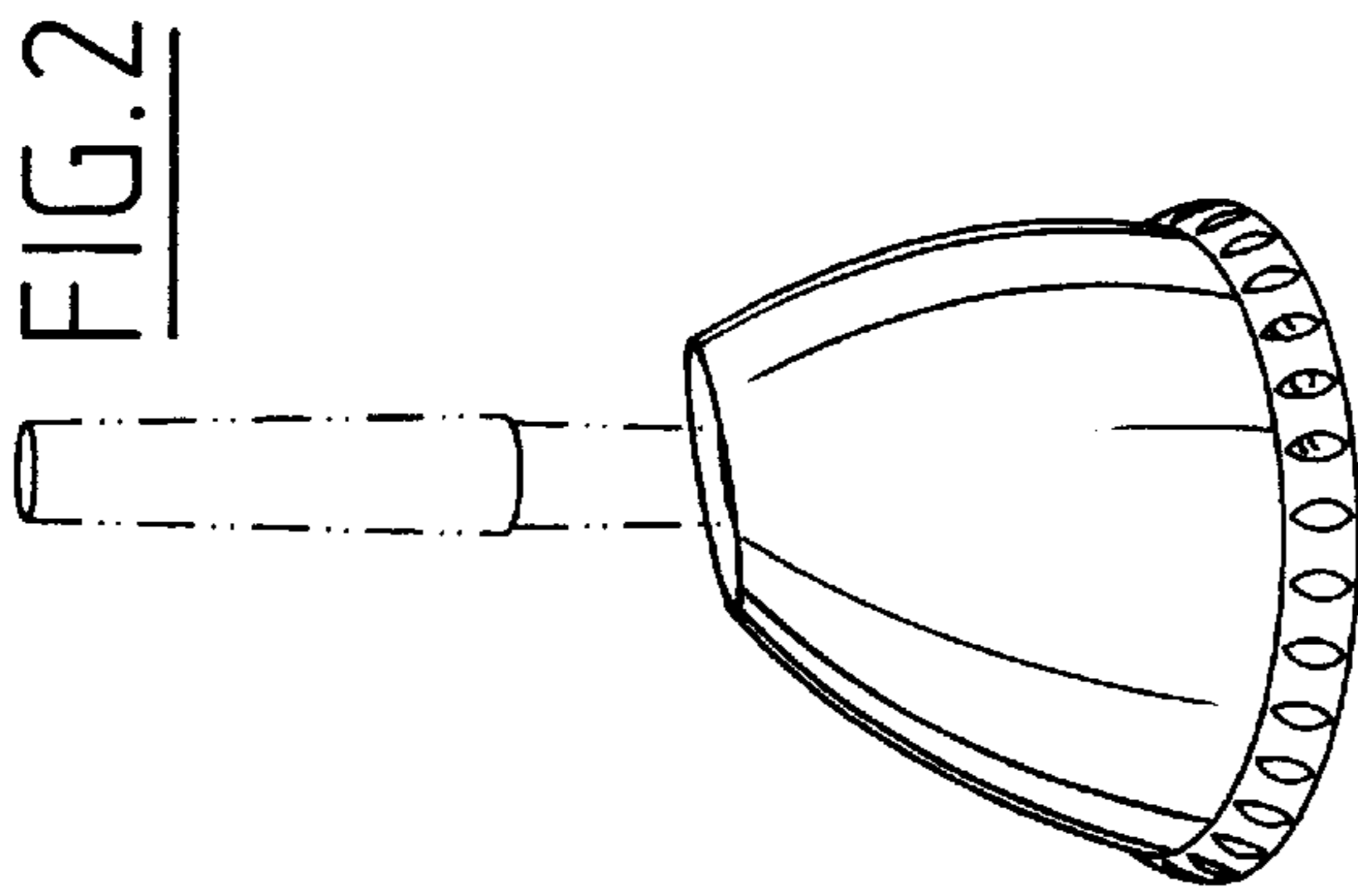
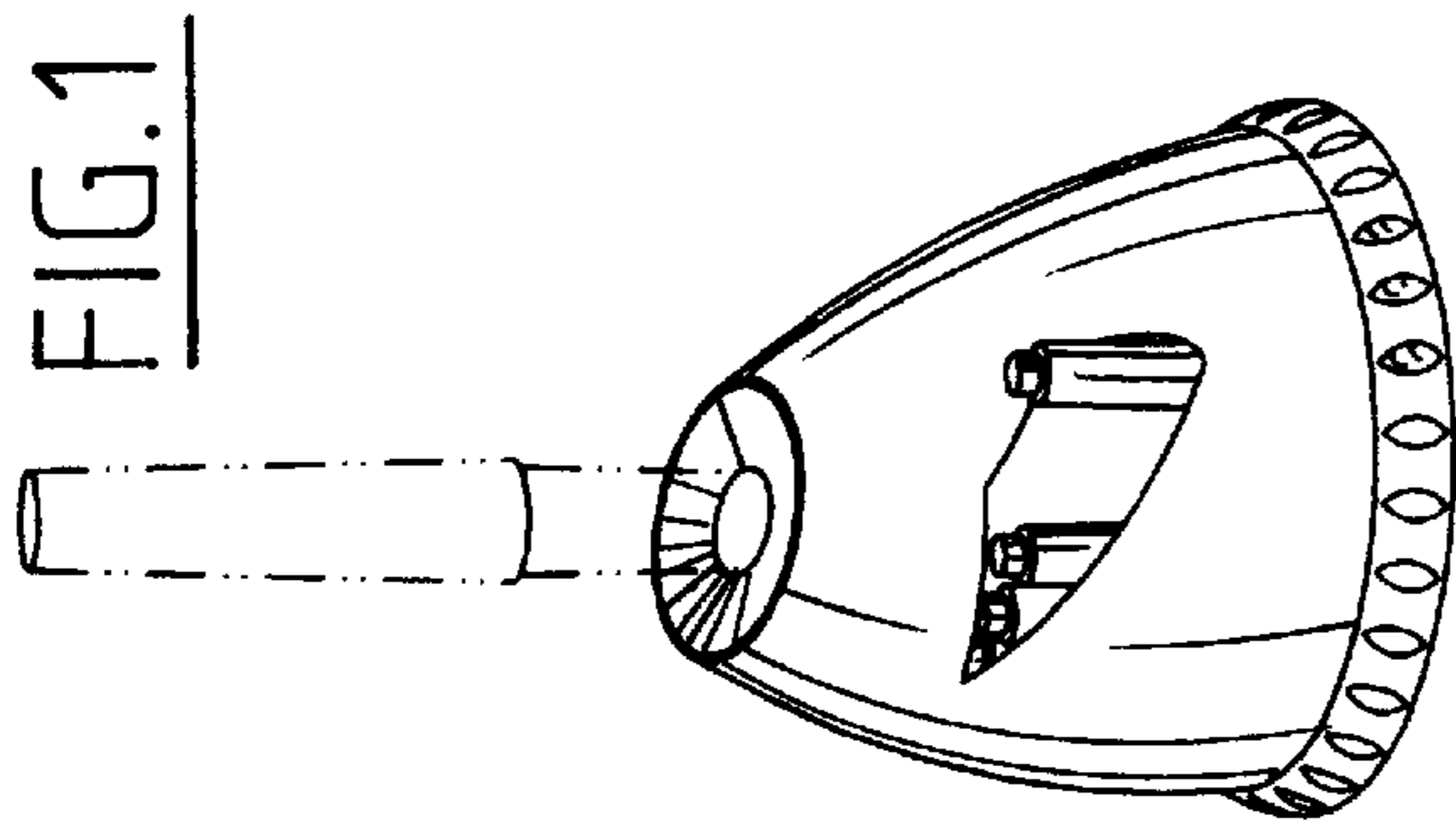


FIG. 8

FIG. 7

FIG. 5

FIG. 6