



US00D428923S

United States Patent [19]
McDiarmid

[11] **Patent Number: Des. 428,923**

[45] **Date of Patent: ** Aug. 1, 2000**

[54] **DESK ORGANIZER**

[75] Inventor: **Ronald D. McDiarmid**, La Habra, Calif.

[73] Assignee: **Gruga U.S.A.**, City of Industry, Calif.

[**] Term: **14 Years**

[21] Appl. No.: **29/118,000**

[22] Filed: **Jan. 31, 2000**

[51] **LOC (7) Cl.** **19-02**

[52] **U.S. Cl.** **D19/77; D19/85; D19/95**

[58] **Field of Search** **D19/65, 75, 76, D19/77, 78, 81-85, 95, 99, 100; 206/214, 224, 371; 211/69.1-69.9, 70; 220/500, 505**

[56] **References Cited**

U.S. PATENT DOCUMENTS

- D. 283,630 4/1986 Yuen .
- D. 299,402 1/1989 Ancona et al. D7/641
- D. 312,559 12/1990 Ancona et al. D7/641
- D. 328,100 7/1992 Liaw .
- D. 329,876 9/1992 Breen .
- D. 340,071 10/1993 Sun .

- D. 342,281 12/1993 Lin .
- D. 367,889 3/1996 Chiu .
- D. 377,951 2/1997 McDiarmid .
- 3,327,688 6/1967 Smith .
- 4,953,696 9/1990 Huang et al. .
- 5,377,850 1/1995 Liaw 211/11

Primary Examiner—Martie K. Holtje
Attorney, Agent, or Firm—Sheppard, Mullin, Richter & Hampton LLP; James R. Brueggemann

[57] **CLAIM**

I claim the ornamental design for a desk organizer, as shown and described.

DESCRIPTION

FIG. 1 is a top, front, right perspective view of a desk organizer embodying the design; FIG. 2 is a front elevational view of the desk organizer; FIG. 3 is a rear elevational view of the desk organizer; FIG. 4 is a top plan view of the desk organizer; FIG. 5 is a bottom plan view of the desk organizer; and, FIG. 6 is a left elevational view of the desk organizer, with the right side being a mirror image thereof.

1 Claim, 4 Drawing Sheets

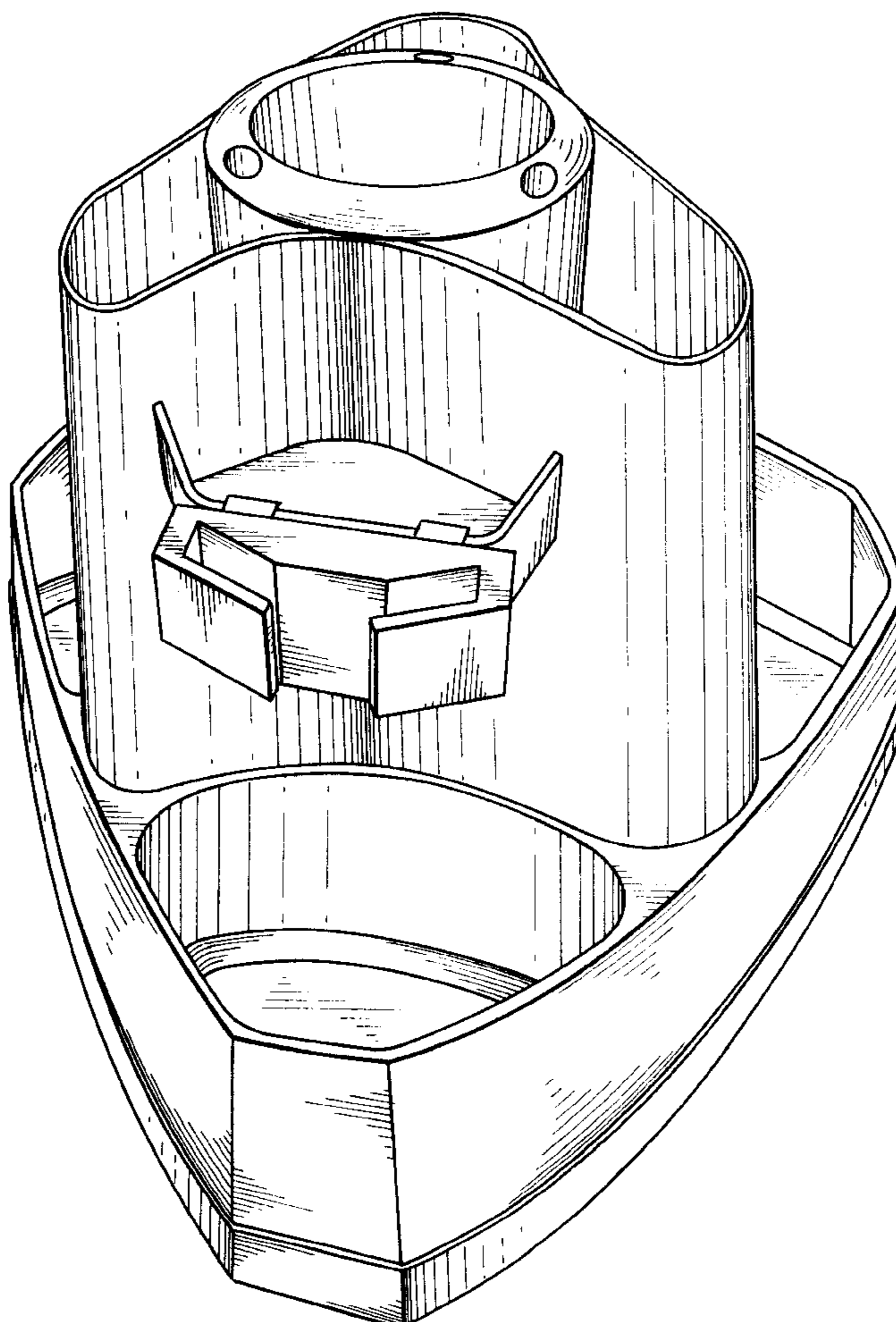
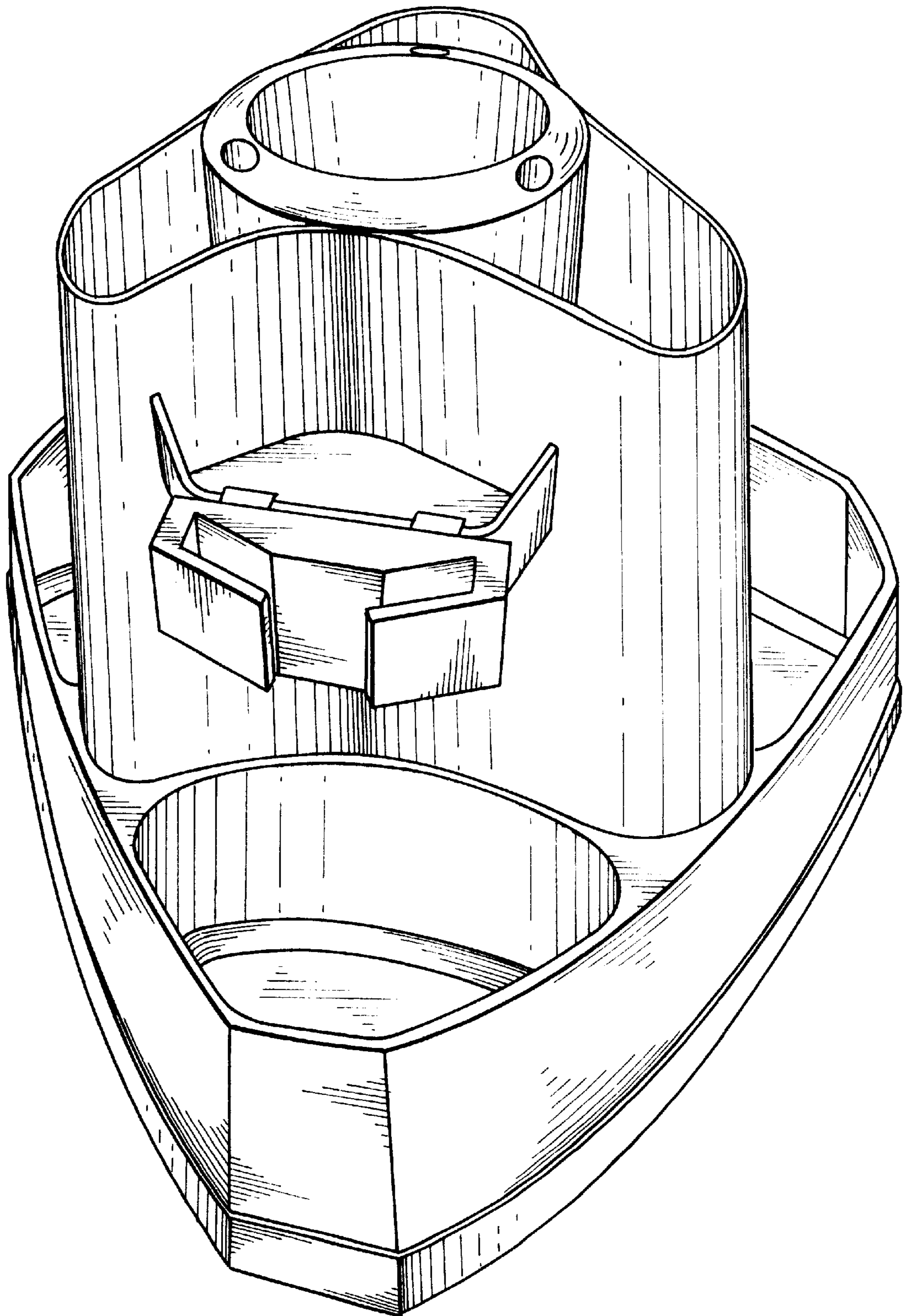


FIG. 1



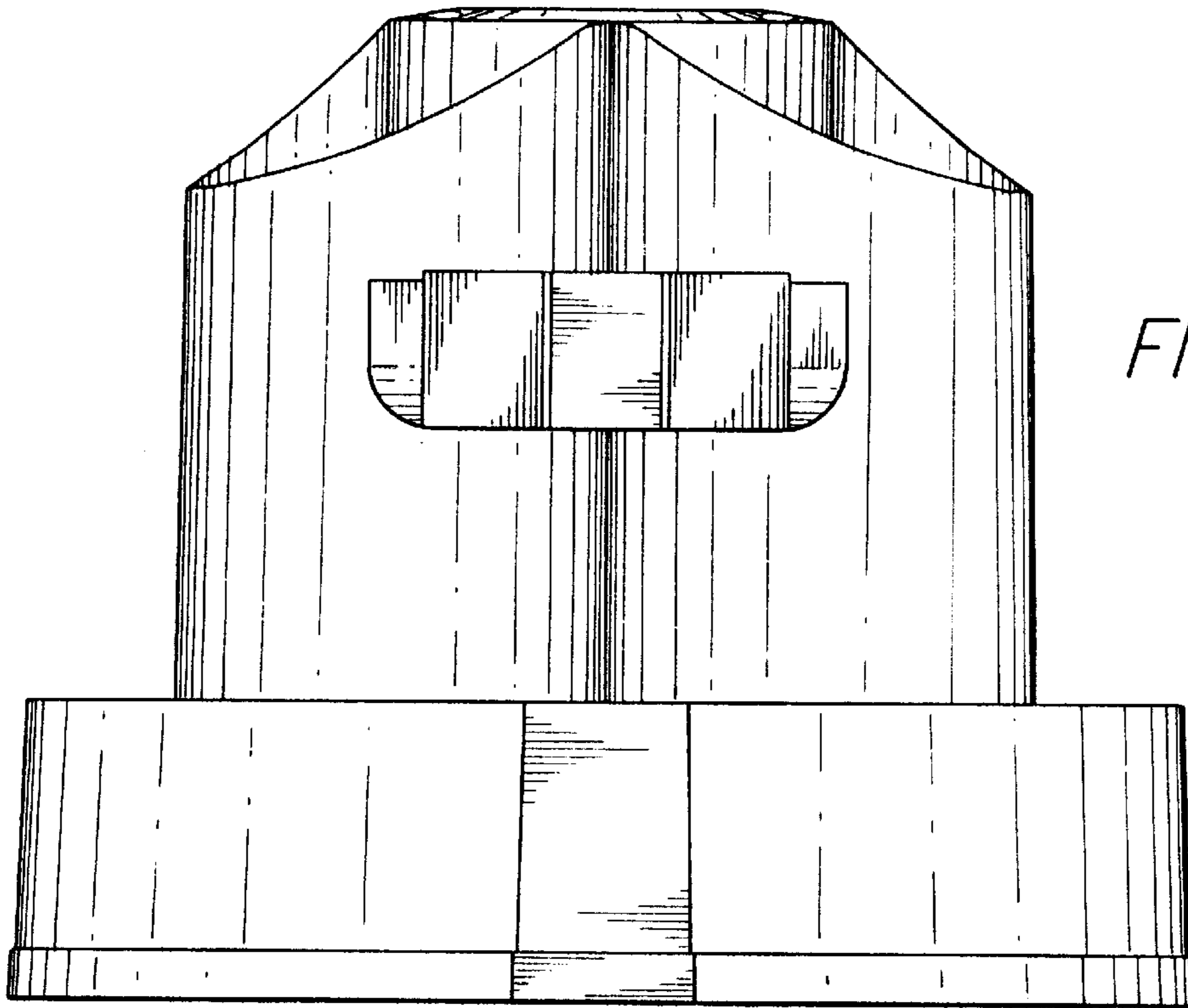


FIG. 2

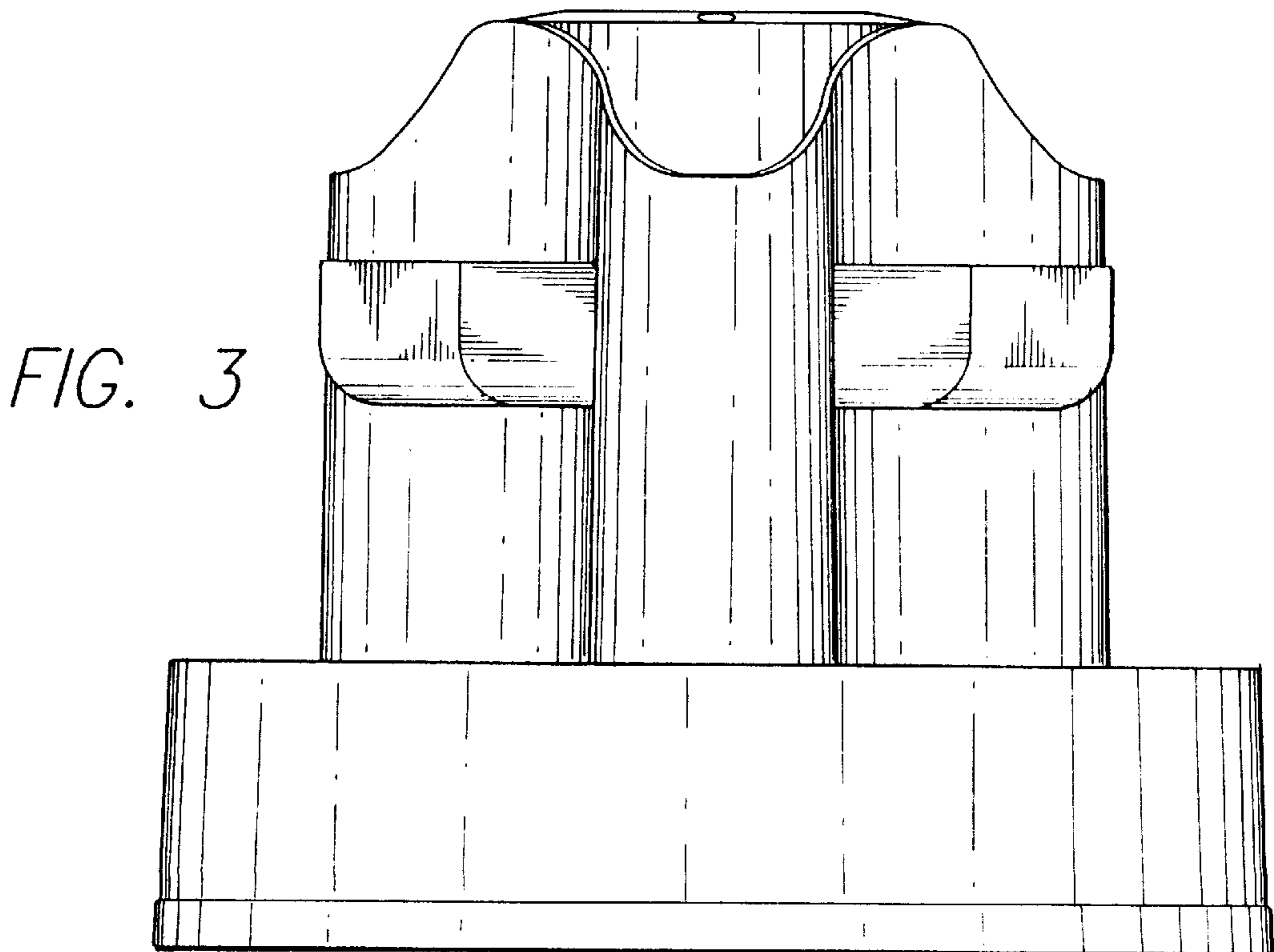


FIG. 3

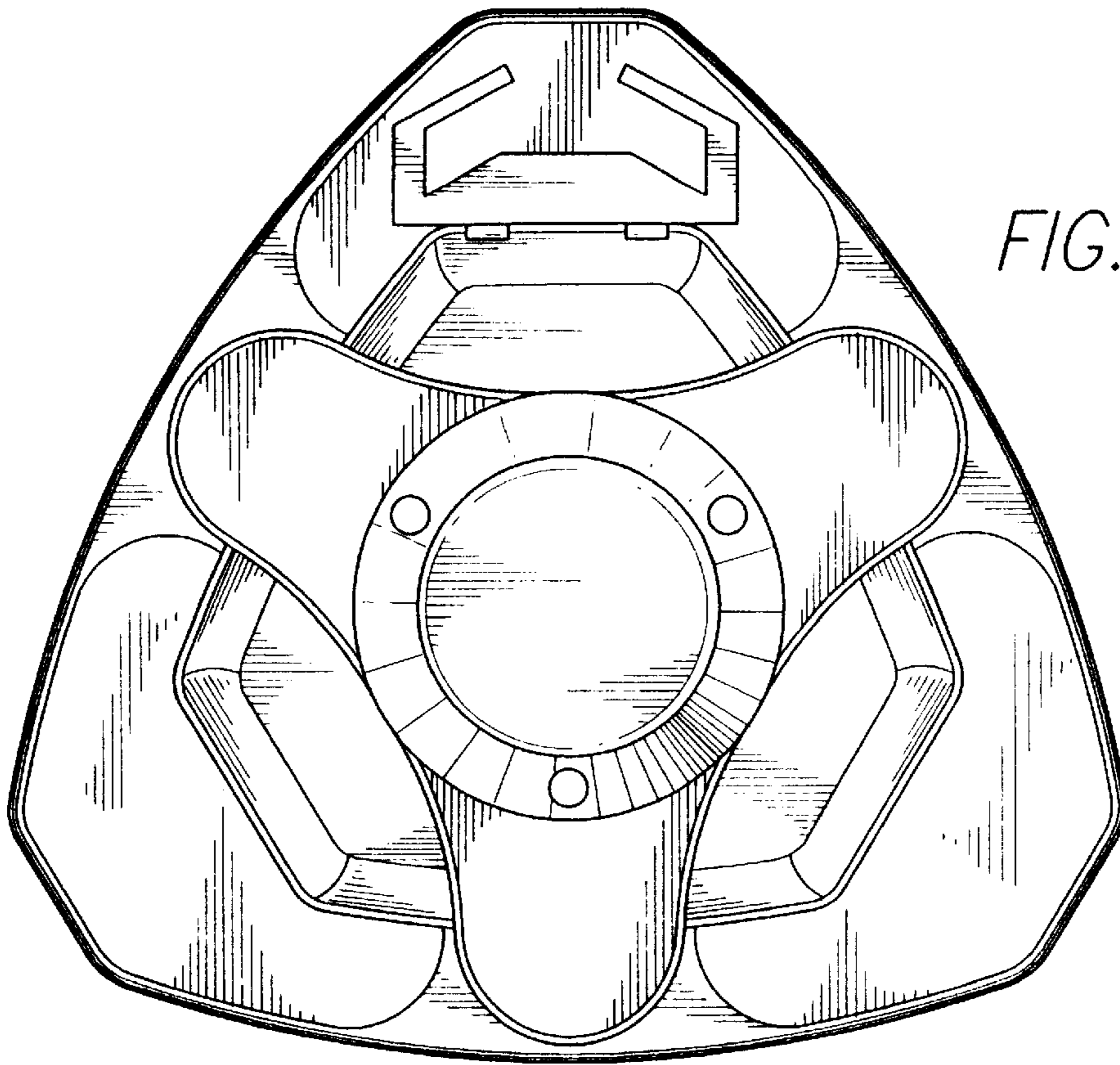


FIG. 4

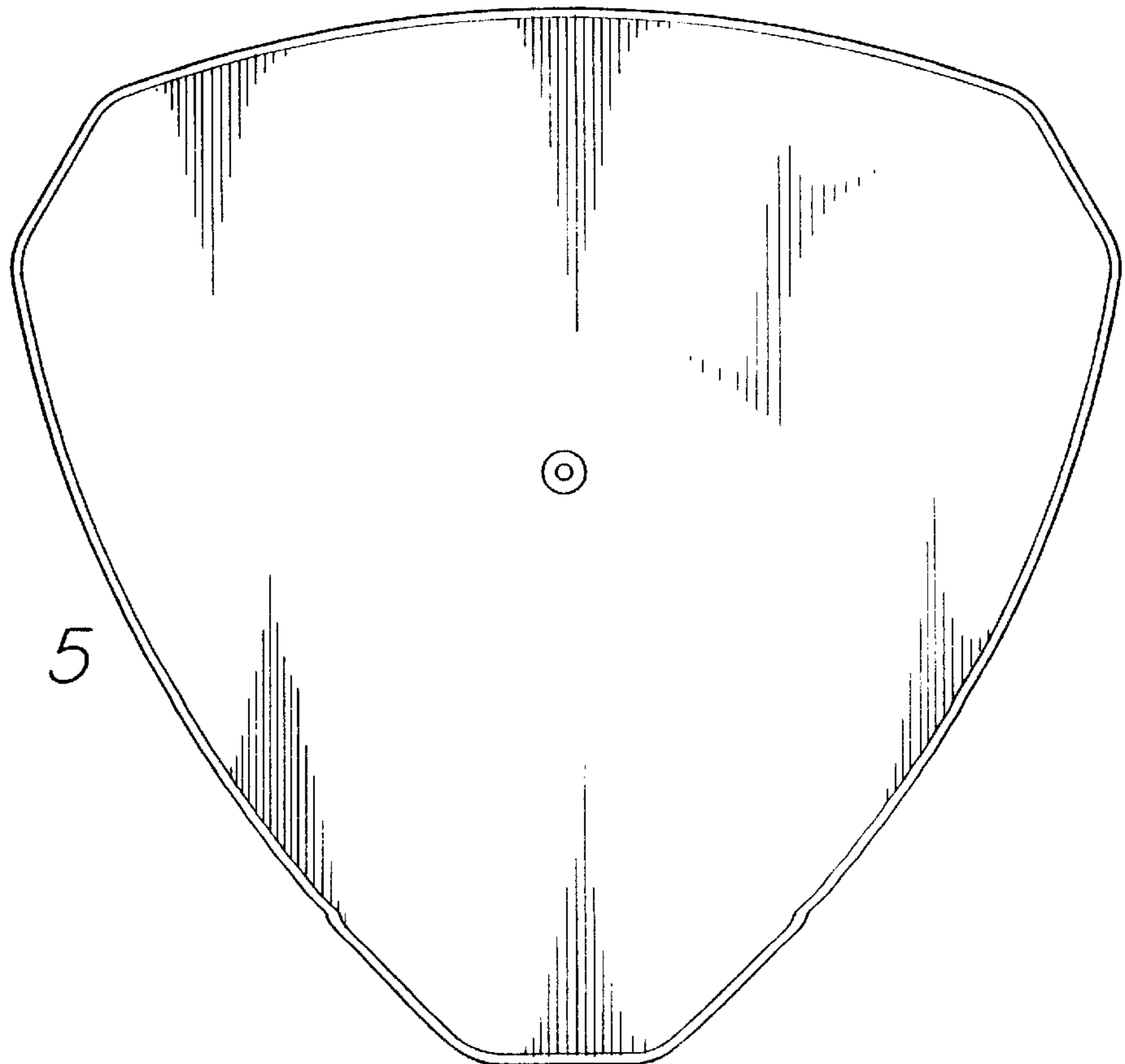


FIG. 5

FIG. 6

