



US00D428922S

# United States Patent [19]

Packard et al.

[11] Patent Number: **Des. 428,922**

[45] Date of Patent: **\*\* Aug. 1, 2000**

[54] **TAPE DISPENSER**

[75] Inventors: **Joy A. Packard**, Somerset, Wis.;  
**Wayne K. Dunshee**, Maplewood, Minn.

[73] Assignee: **3M Innovative Properties Company**,  
St. Paul, Minn.

[\*\*] Term: **14 Years**

[21] Appl. No.: **29/109,703**

[22] Filed: **Aug. 20, 1999**

### Related U.S. Application Data

[62] Division of application No. 29/086,868, Apr. 21, 1998, Pat.  
No. Des. 417,237.

[51] **LOC (7) Cl.** ..... **19-02**

[52] **U.S. Cl.** ..... **D19/69; D19/67; D10/72**

[58] **Field of Search** ..... **D19/35, 36, 65,**  
**D19/67, 68, 69, 89, 99, 100; D10/72; 225/5-7,**  
**19, 24, 25, 34, 35, 44, 45, 56, 65, 77, 89;**  
**156/327, 577, 510, 391; 242/588.6, 146;**  
**83/452, 568**

### [56] References Cited

#### U.S. PATENT DOCUMENTS

D. 95,616	5/1935	Ritter .	
D. 125,085	2/1941	Jackson .	
D. 134,545	12/1942	Fischer .	
D. 136,657	11/1943	Funke .	
D. 141,220	5/1945	Preble, Jr. ....	D19/69
D. 164,733	10/1951	Pretzfelder, Jr. ....	D19/69
D. 177,214	3/1956	Castelli et al. ....	D19/69
D. 185,284	5/1959	Hofmann ....	D19/69
D. 185,639	7/1959	Hofmann-Igl ....	D19/69
D. 186,343	10/1959	Gershen ....	D19/69
D. 187,765	4/1960	Gershen ....	D19/69
D. 188,519	8/1960	Gershen ....	D19/69
D. 192,455	3/1962	Castelli ....	D58/26
D. 192,835	5/1962	Wax ....	D19/69
D. 260,368	8/1981	Dunshee et al. ....	D9/415
D. 295,424	4/1988	Porter ....	D19/67

D. 323,531	1/1992	Fortune .....	D19/69
D. 338,493	8/1993	Mead .....	D19/69
D. 379,474	5/1997	Packard .....	D19/69
D. 380,777	7/1997	Packard .....	D19/69
D. 392,676	3/1998	Hsu .....	D19/69

(List continued on next page.)

### OTHER PUBLICATIONS

“3M Surgical Tape Sampler, Standards that never vary”,  
brochure, 3M Health Care, 1993.

“3M Micropore™ Surgical Tape, the dependable choice for  
a gentle, general dressing paper tape.”, 2 page brochure, 3M  
Health Care, 1995.

Engineering Drawings for the “Micropore #1535 1 Dis-  
penser”, 1 page. date unknown.

copies of 4 photographs of a prior art edge protector for use  
with Smith & Nephew medical tape rolls, which edge  
protector does not afford rotation of the roll of tape relative  
to the edge protector. date unknown.

*Primary Examiner*—Martie K. Holtje

*Attorney, Agent, or Firm*—Gary L. Griswold; Robert W.  
Sprague; Stephen W. Bauer

### [57] CLAIM

The ornamental design for a tape dispenser, as shown and  
described.

### DESCRIPTION

FIG. 1 is a perspective view of a tape dispenser showing our  
new design.

FIG. 2 is a right side view thereof.

FIG. 3 is a left side view thereof.

FIG. 4 is a top view thereof.

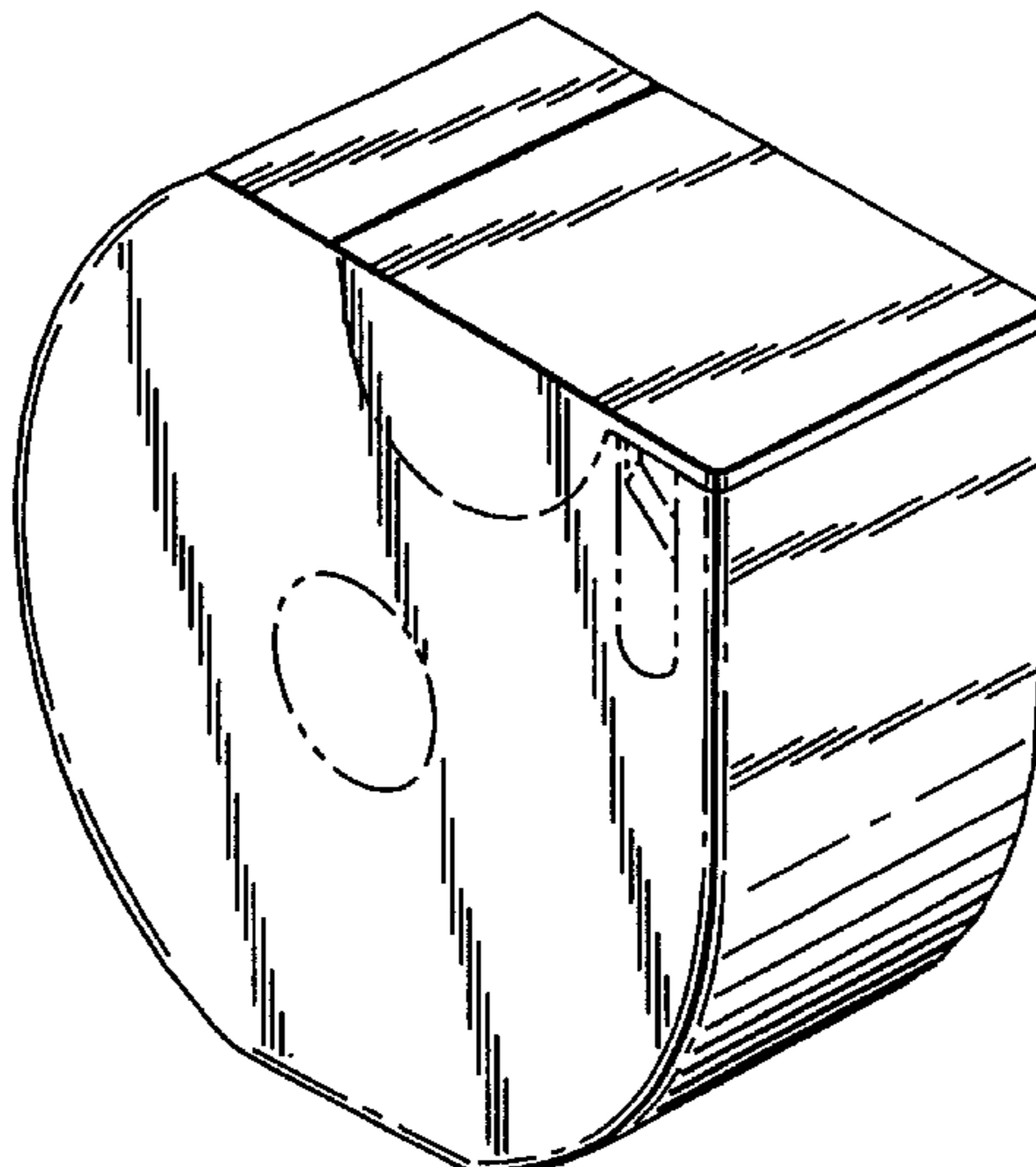
FIG. 5 is a bottom view thereof.

FIG. 6 is a front view thereof; and,

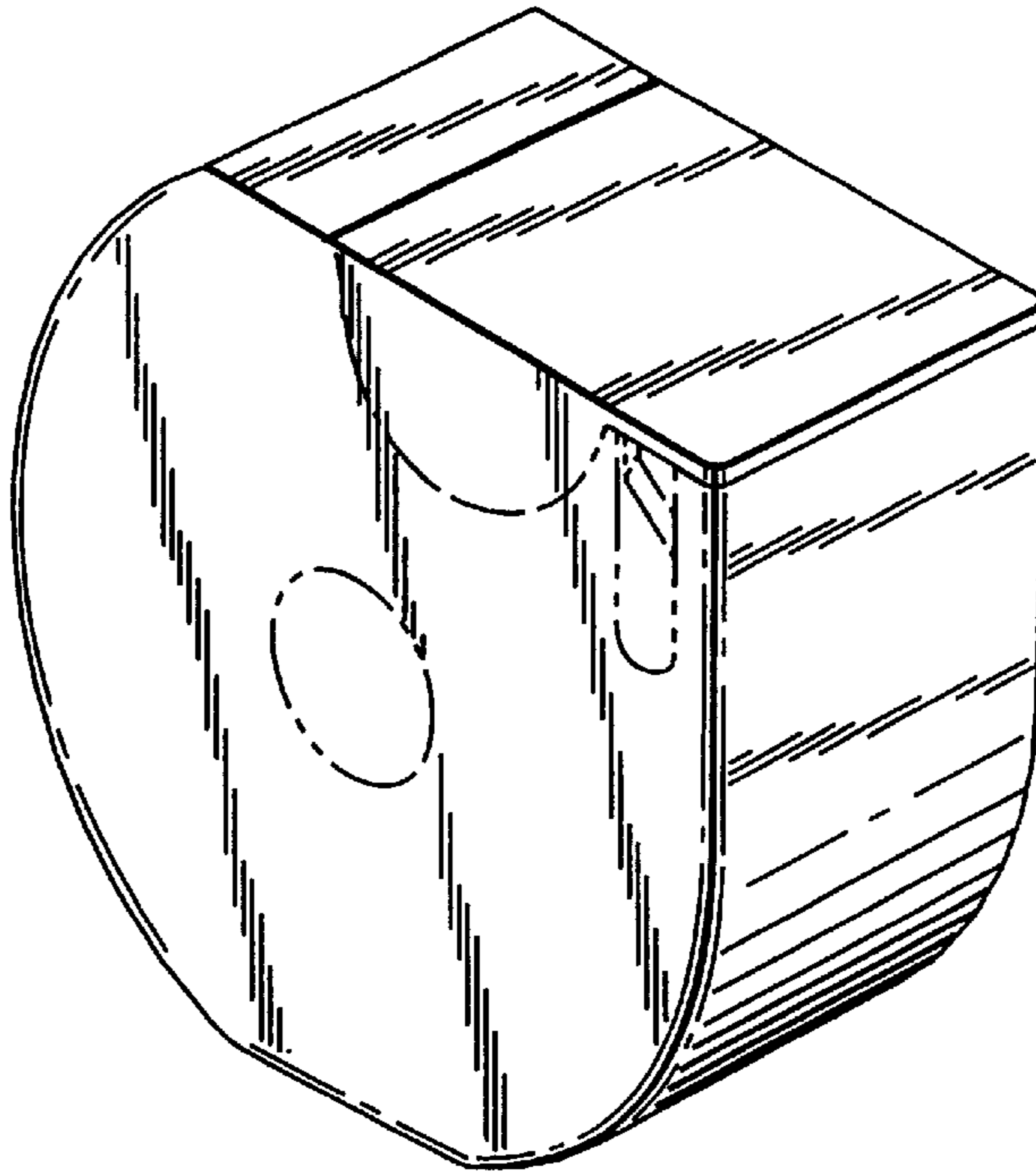
FIG. 7 is a rear view thereof.

The structure depicted by means of broken lines in FIGS. 1,  
2, and 3 has been shown for illustrative purposes only and  
form no part of the claimed design.

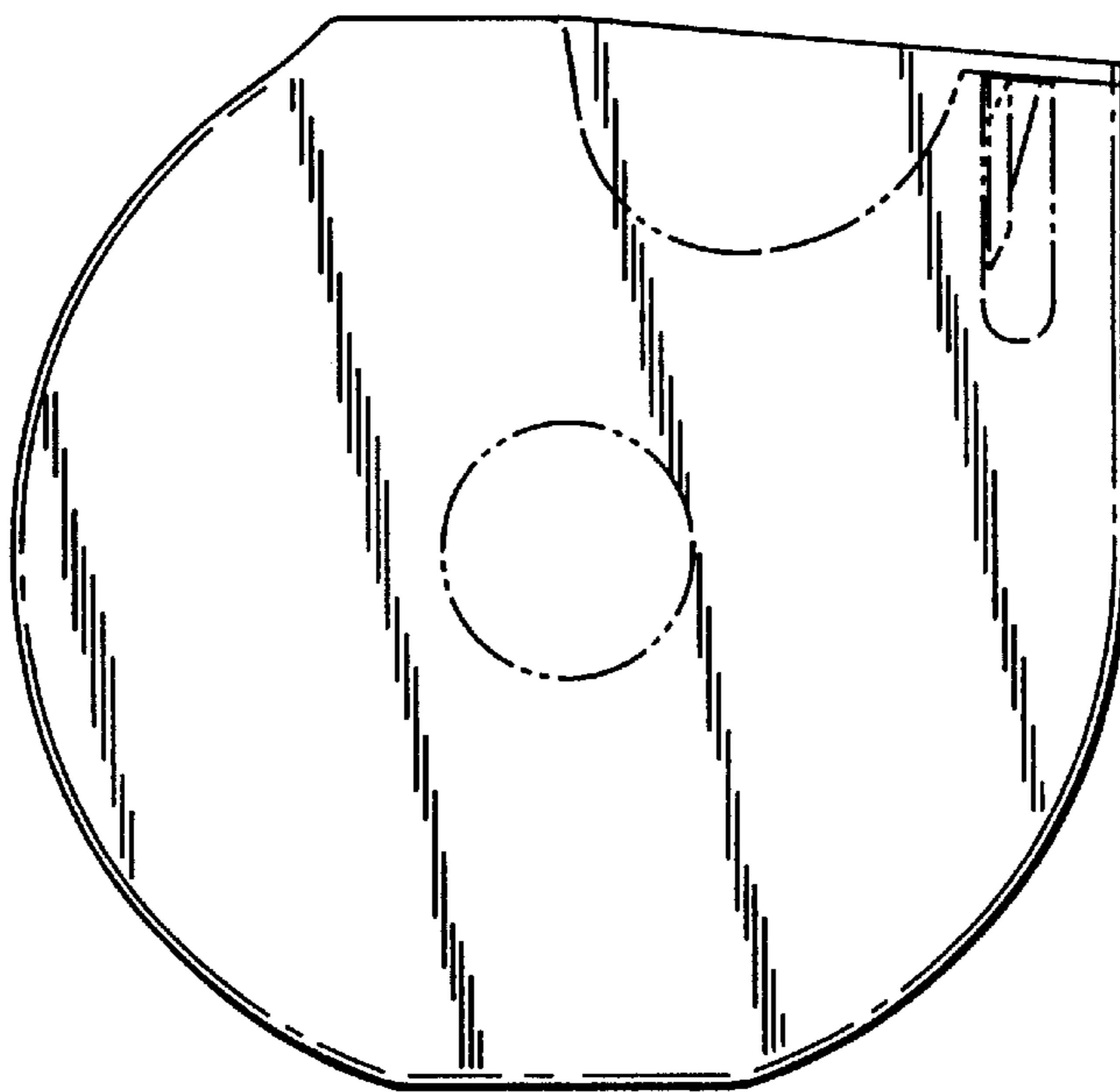
**1 Claim, 3 Drawing Sheets**



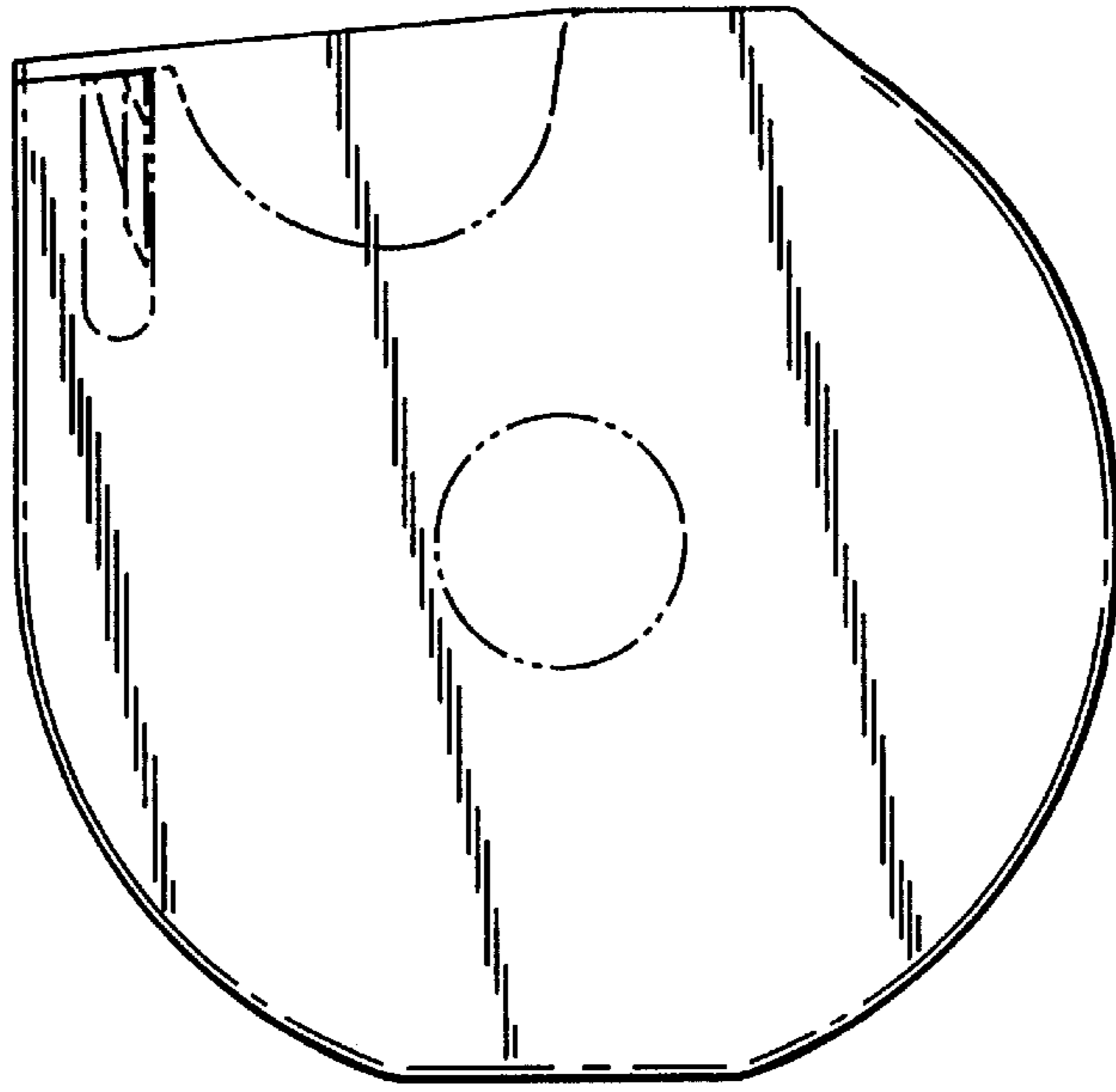
U.S. PATENT DOCUMENTS					
			3,102,671	9/1963	Gershen ..... 225/43
			3,121,021	2/1964	Copeland ..... 117/122
D. 417,237	11/1999	Packard et al. .... D19/69	3,216,634	11/1965	Lausa ..... 225/19
1,805,619	5/1931	Fuller ..... 83/649 X	3,762,261	10/1973	Ekenberg ..... 83/649
1,869,729	8/1932	Zuckerman ..... 225/45	4,060,444	11/1977	Schweig, Jr. et al. .... 156/391
2,082,546	6/1937	Machate et al. .... 225/45	4,630,765	12/1986	Samuelson et al. .... 225/96
2,275,212	3/1942	Valentine ..... 242/70	4,700,835	10/1987	Rognsvoog, Jr. .... 206/411
2,295,477	9/1942	Jackson ..... 242/55.5	4,998,655	3/1991	Huang ..... 225/26
2,295,679	9/1942	Montbach ..... 242/55.5	5,090,565	2/1992	Wang ..... 206/411
2,333,924	11/1943	Gorbatenka ..... 83/542	5,133,980	7/1992	Ream et al. .... 426/115
2,694,533	11/1954	Zucker ..... 242/55.4	5,154,335	10/1992	Bredow et al. .... 225/40
2,695,454	11/1954	Dart ..... 33/138	5,294,068	3/1994	Baro et al. .... 242/55.53
2,699,251	1/1955	Rizza ..... 206/59	5,496,603	3/1996	Riedel et al. .... 428/40
2,710,152	6/1955	Jones ..... 242/55.5	5,631,073	5/1997	Riedel et al. .... 442/364
2,776,095	1/1957	Emmert ..... 242/55.5	5,679,190	10/1997	Riedel et al. .... 156/62.2
2,790,609	4/1957	Hawthorne et al. .... 242/55.5	5,698,067	12/1997	Packard ..... 156/577
3,035,345	5/1962	Barnard ..... 30/124	5,735,400	4/1998	Packard ..... 206/408



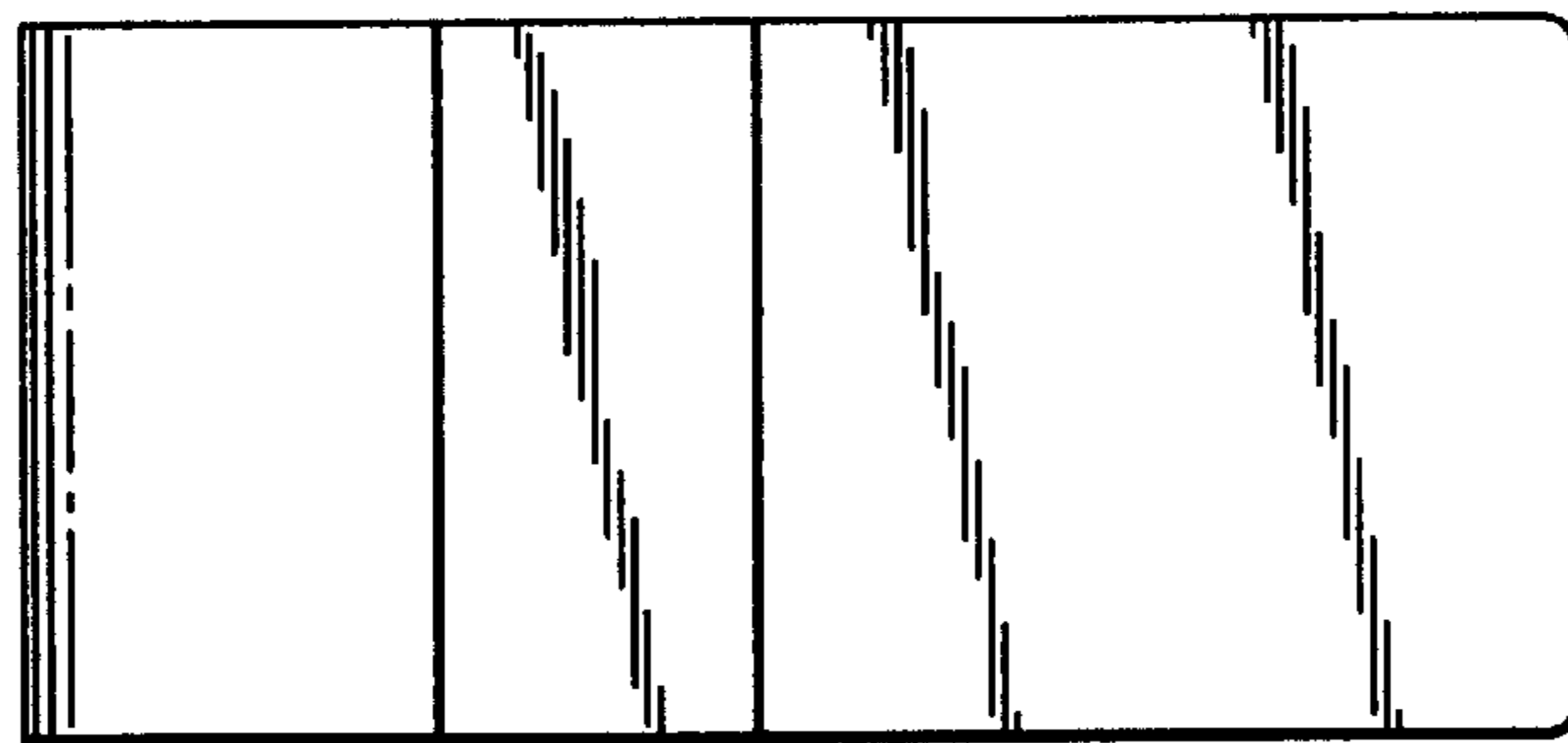
**Fig. 1**



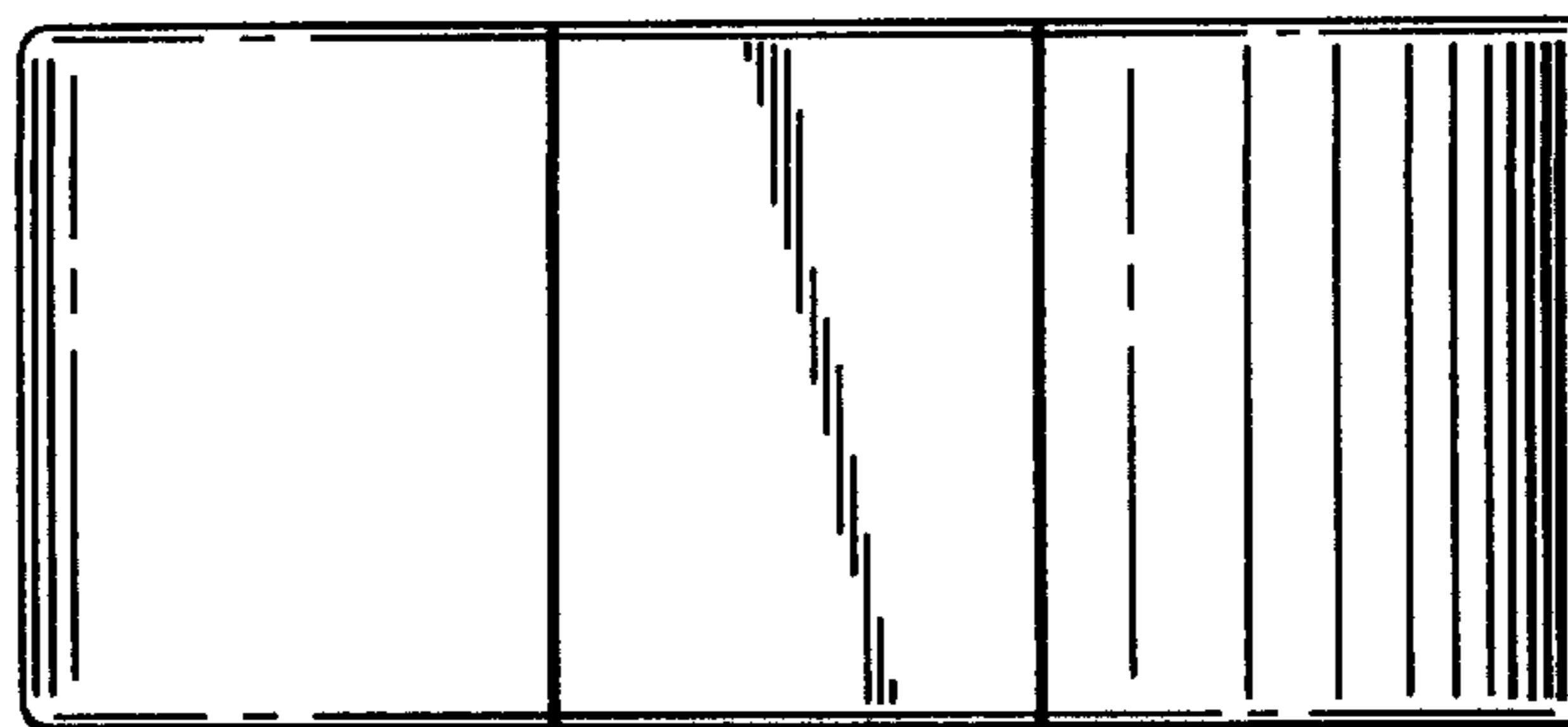
**Fig. 2**



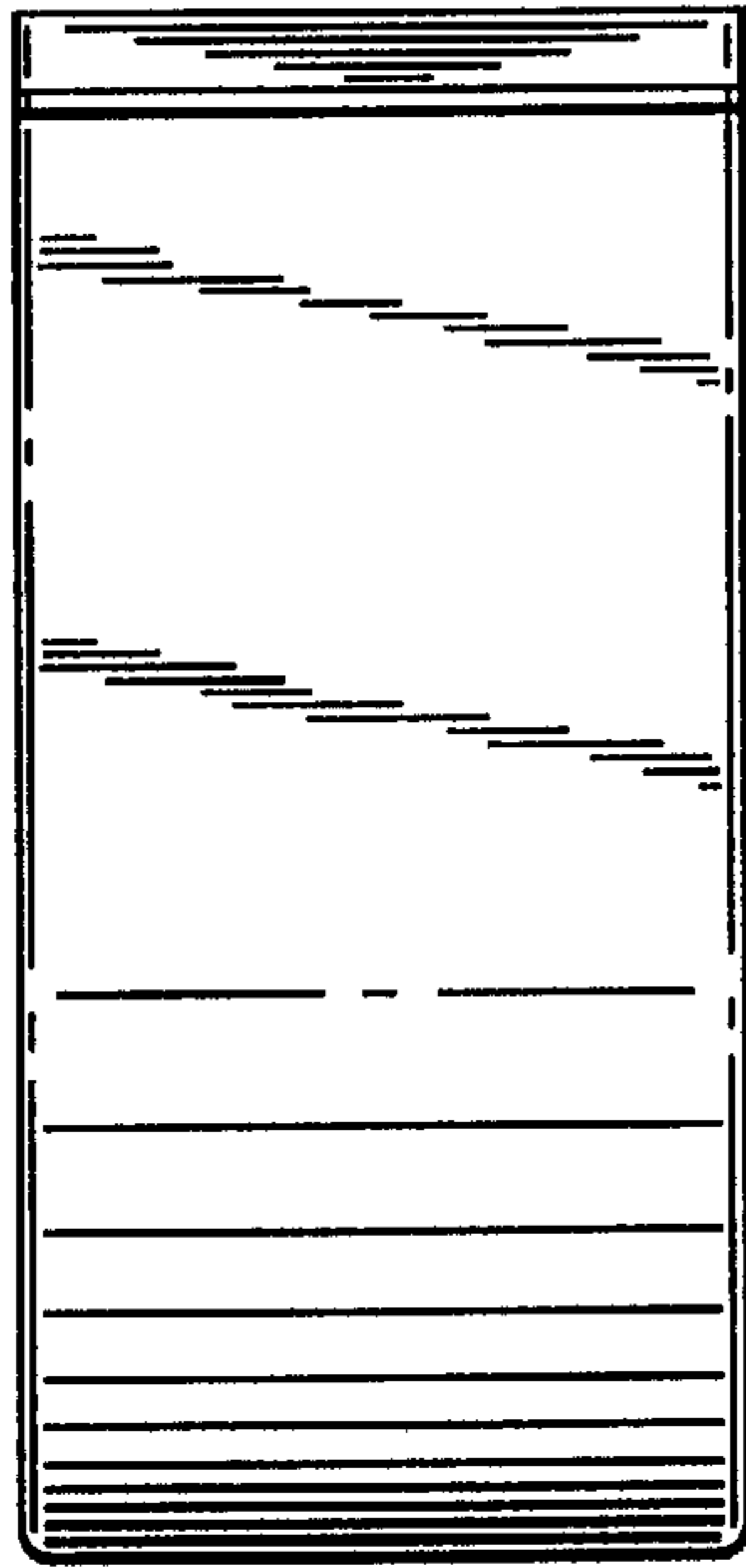
**Fig. 3**



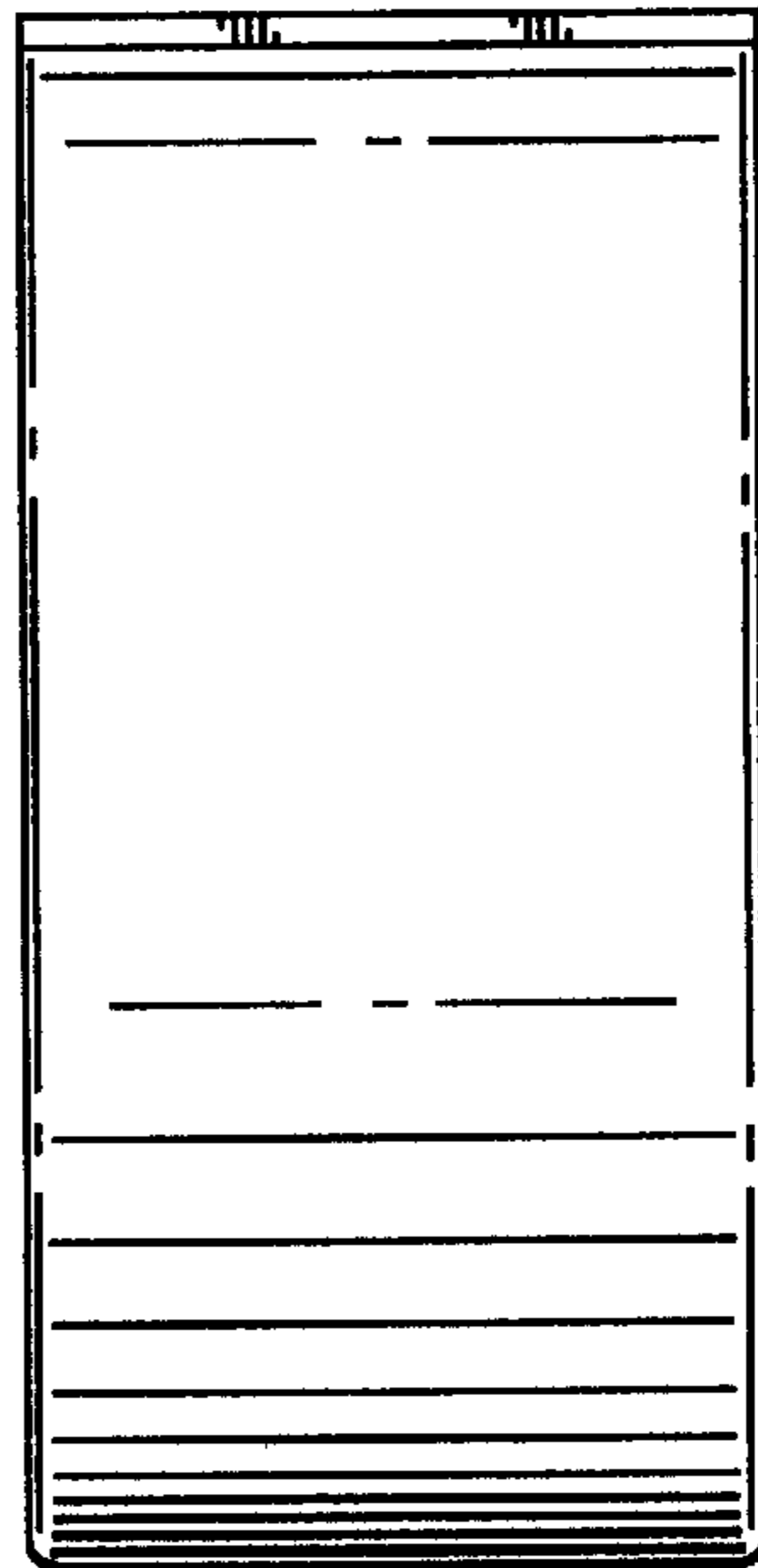
**Fig. 4**



**Fig. 5**



**Fig. 6**



**Fig. 7**