



US00D428921S

# United States Patent [19]

[11] Patent Number: Des. 428,921

Saylor et al.

[45] Date of Patent: \*\* Aug. 1, 2000

## [54] GRIP CLIP

[75] Inventors: **Charles Saylor**, Grand Rapids, Mich.;  
**Sheldon Phillips**, Thousand Oaks;  
**Edward Mitchell**, Los Angeles, both of  
Calif.

[73] Assignee: **Haworth, Inc.**, Holland, Mich.

[\*\*] Term: **14 Years**

[21] Appl. No.: **29/104,349**

[22] Filed: **May 3, 1999**

[51] LOC (7) Cl. .... **19-02**

[52] U.S. Cl. .... **D19/65; D19/90; D8/395**

[58] Field of Search ..... **D8/394, 395; D19/35,**  
**D19/36, 65, 75, 78, 86, 88, 90, 91, 99,**  
**100; 24/67 R, 67.1-67.11, DIG. 8, DIG. 9,**  
**327, 510, 504-508, 545-547, 561, 563,**  
**500, 501, 487, 489; 248/441.1, 442.2, 451,**  
**452**

## [56] References Cited

### U.S. PATENT DOCUMENTS

D. 302,568	8/1989	Berger	.....	D19/65
D. 364,188	11/1995	Wolff	.....	D19/65
D. 375,976	11/1996	Marguerie	.....	D19/65
D. 392,181	3/1998	Bries et al.	.....	D8/395
D. 393,878	4/1998	Suzuki	.....	D19/65
D. 412,343	7/1999	Offenhauer	.....	D19/65
4,506,416	3/1985	Ohminato et al.	.....	24/67 R
4,959,892	10/1990	Wang	.....	24/510
5,079,808	1/1992	Brown	.....	24/67.7
5,400,483	3/1995	Noda	.....	24/499

### FOREIGN PATENT DOCUMENTS

WO97/46142 12/1997 WIPO.

### OTHER PUBLICATIONS

Five pages from "Haworth Crossings™ List Prices/Specification Guide", dated November, 1998.

*Primary Examiner*—Martie K. Holtje  
*Attorney, Agent, or Firm*—Flynn, Thiel, Boutell & Tanis,  
P.C.

## [57] CLAIM

The ornamental design of a grip clip, as shown and described.

## DESCRIPTION

FIG. 1 is a perspective view of the grip clip embodying our design, the hinge plates interconnecting the two halves of the grip clip being shown in dotted lines and forming no part of the claimed design;

FIG. 2 is a top view thereof, the bottom view being identical thereto;

FIG. 3 is a right side view thereof, the hinge plates and gripping ribs being shown in dotted lines and forming no part of the claimed design, the left side view being identical to the right side view;

FIG. 4 is a front view thereof, the gripping ribs being shown in dotted lines and forming no part of the claimed design; and

FIG. 5 is a rear view thereof, the hinge plates and gripping ribs being shown in dotted lines and forming no part of the claimed design.

FIG. 6 is a perspective view of one-half of the grip clip shown in FIGS. 1-5 herein, the top view thereof being identical to the top view shown in FIG. 2, and the bottom view thereof forms no part of the claimed design and is not shown herein;

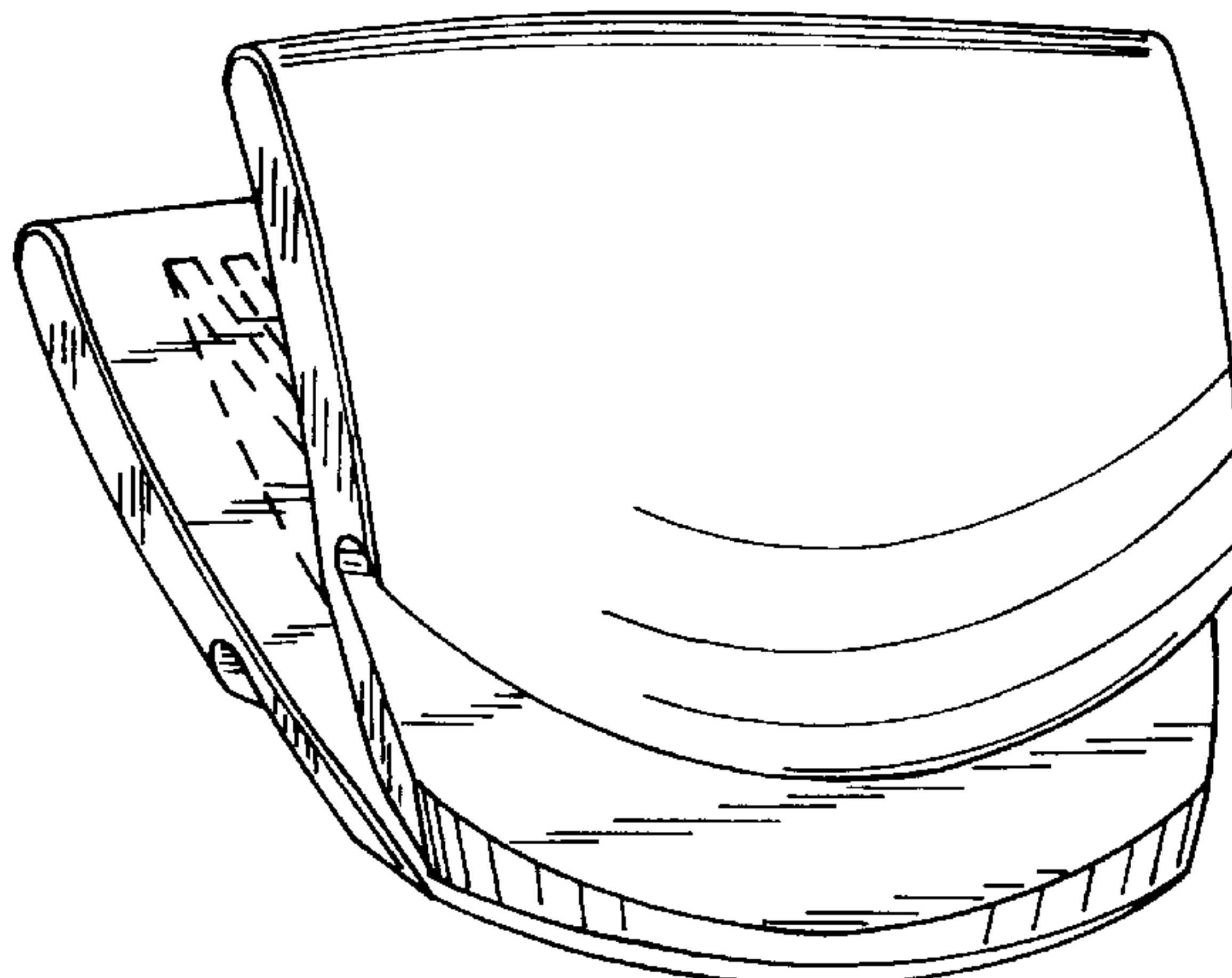
FIG. 7 is right side view, the hinge plates and gripping ribs being shown in dotted lines and forming no part of the claimed design, the left side view being a mirror image thereof;

FIG. 8 is a front view thereof, the hinge plates and gripping ribs being shown in dotted lines and forming no part of the claimed design; and,

FIG. 9 is a rear view thereof, the hinge plates and gripping ribs being shown in dotted lines and forming no part of the claimed design.

The grip clip disclosed herein corresponds to subject matter disclosed in U.S. patent application Ser. No. 09/304,166 filed on Apr. 30, 1999 and entitled "grip clip" (Atty. Ref.: Haworth Case 275), the disclosure of which application is hereby incorporated by reference herein in its entirety.

**1 Claim, 5 Drawing Sheets**



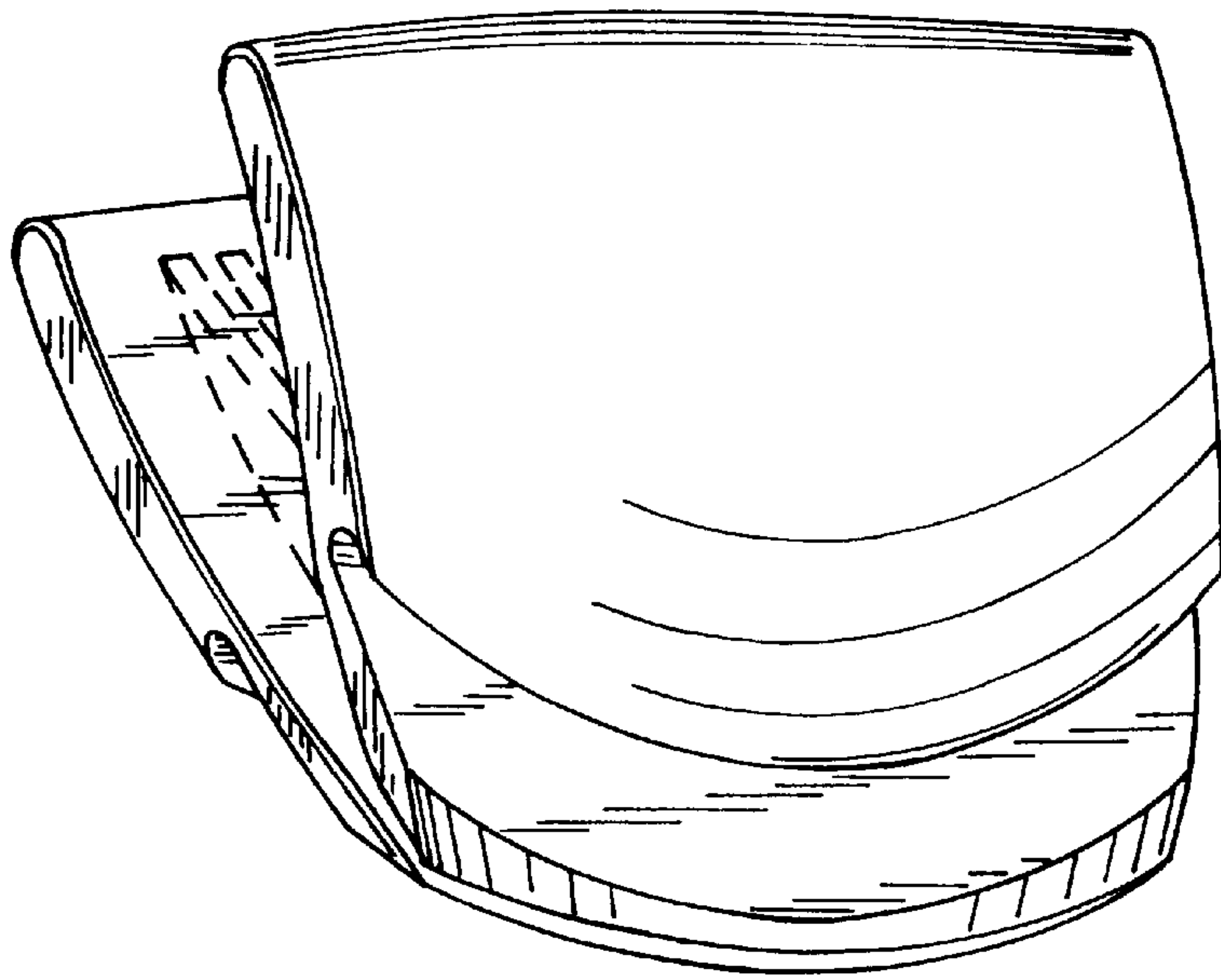


FIG. 1

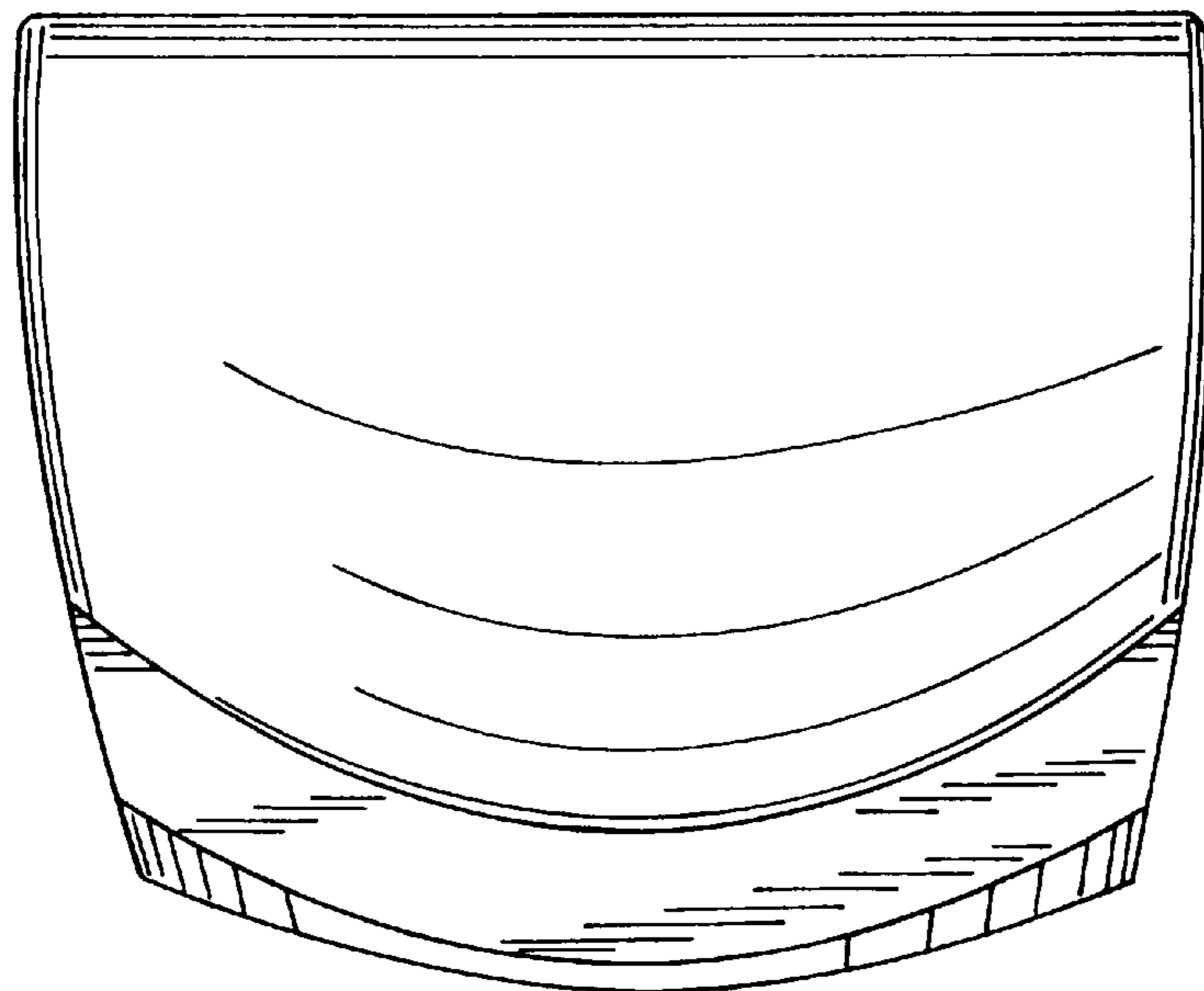


FIG. 2

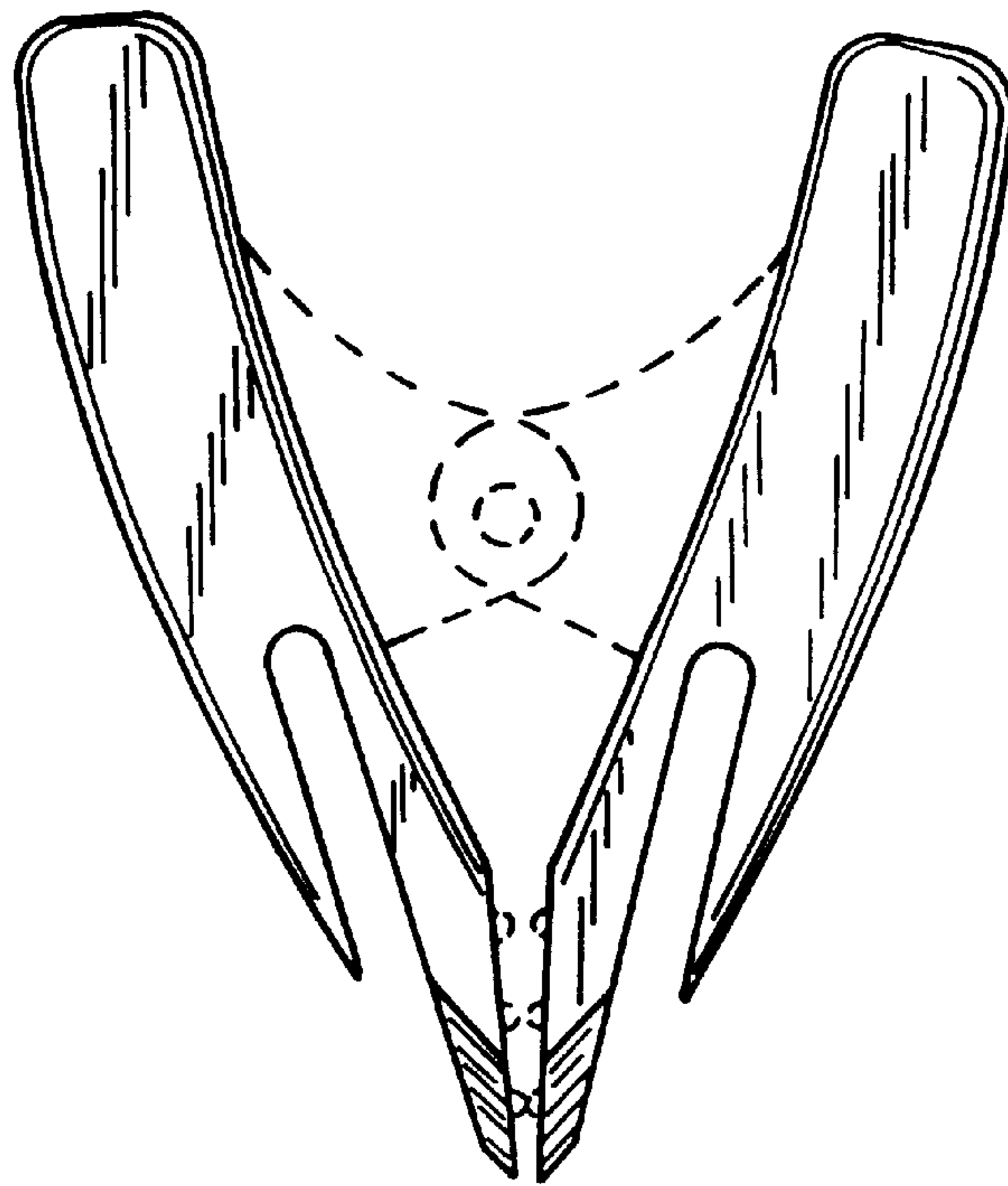


FIG. 3

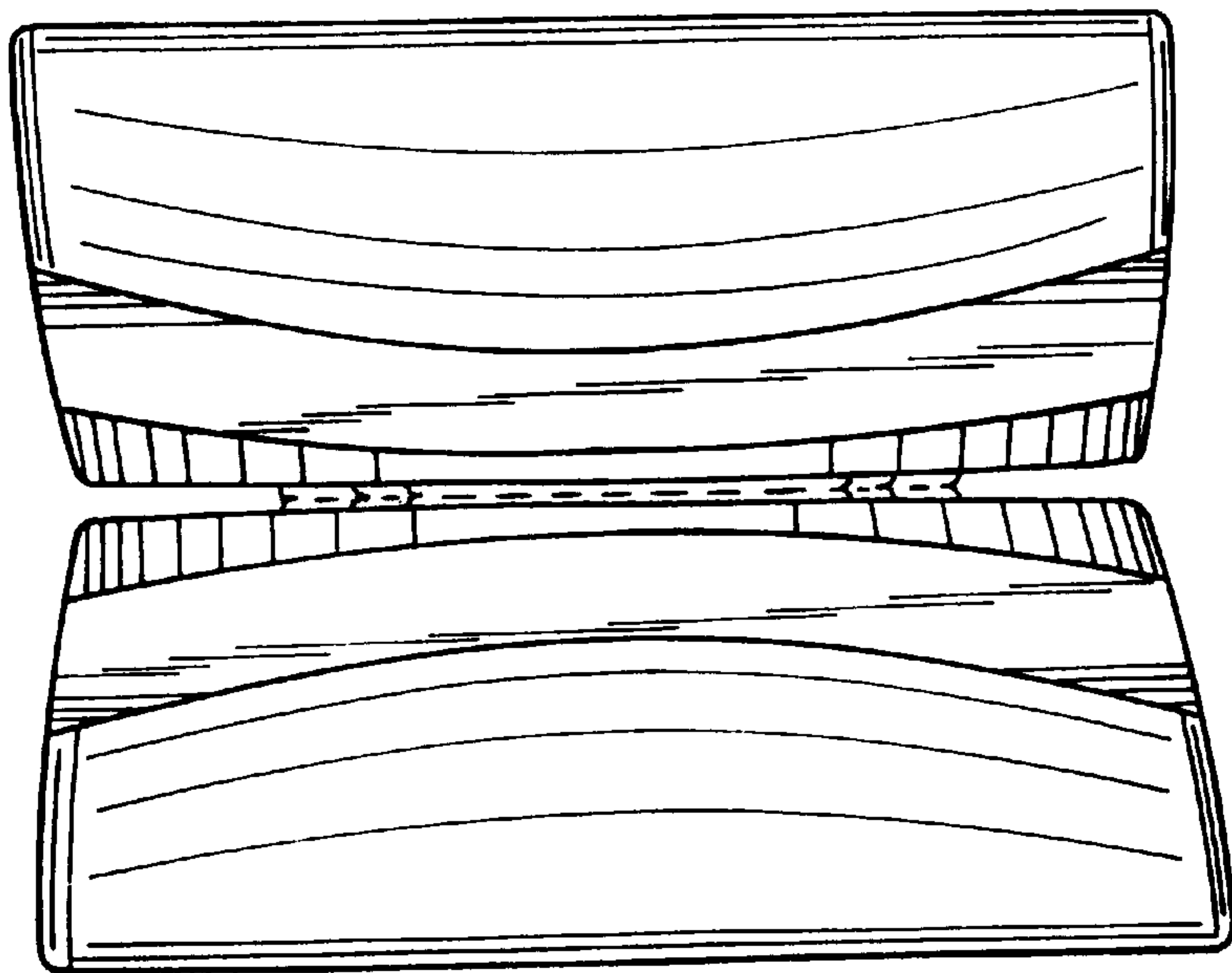


FIG. 4

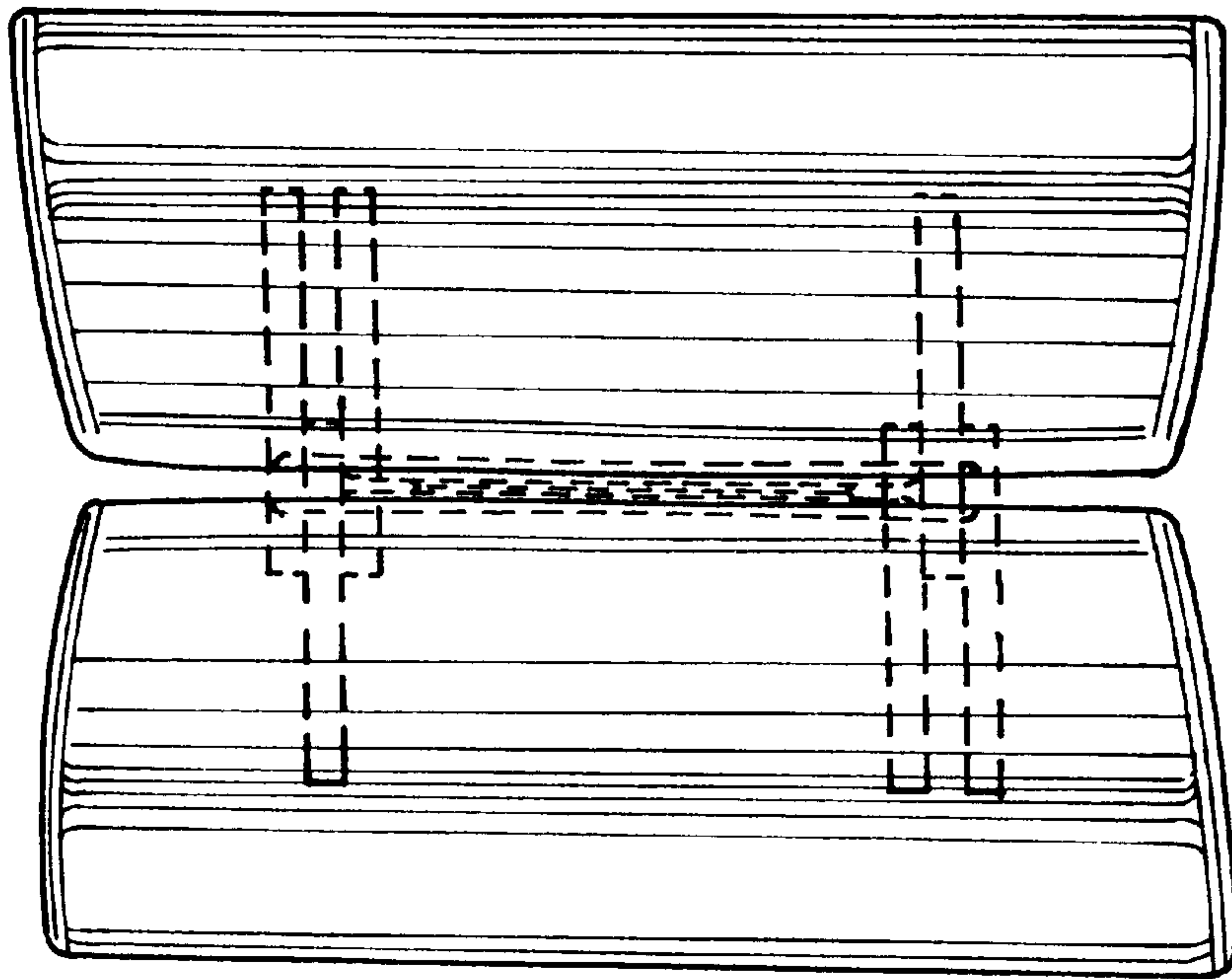


FIG. 5

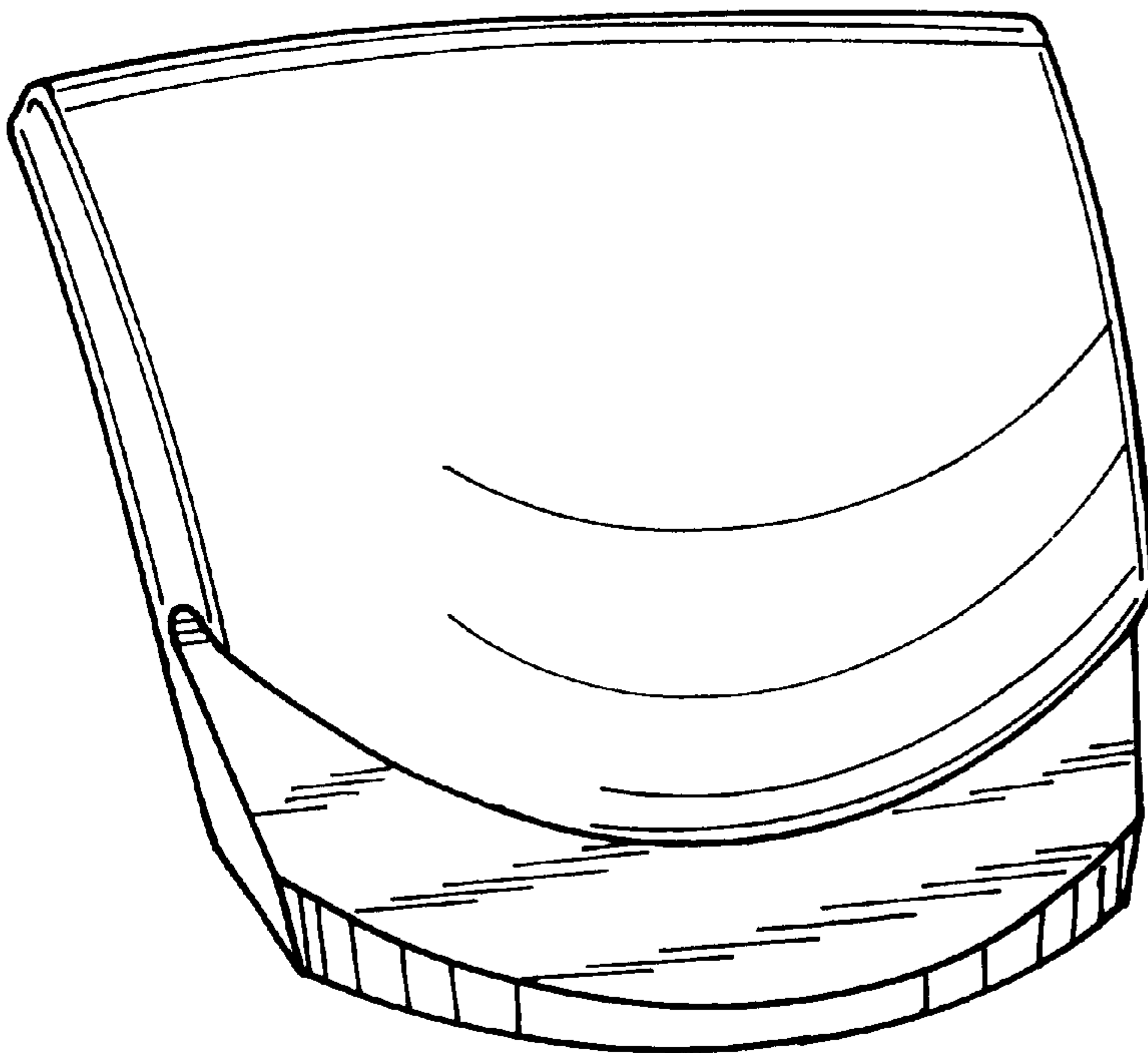
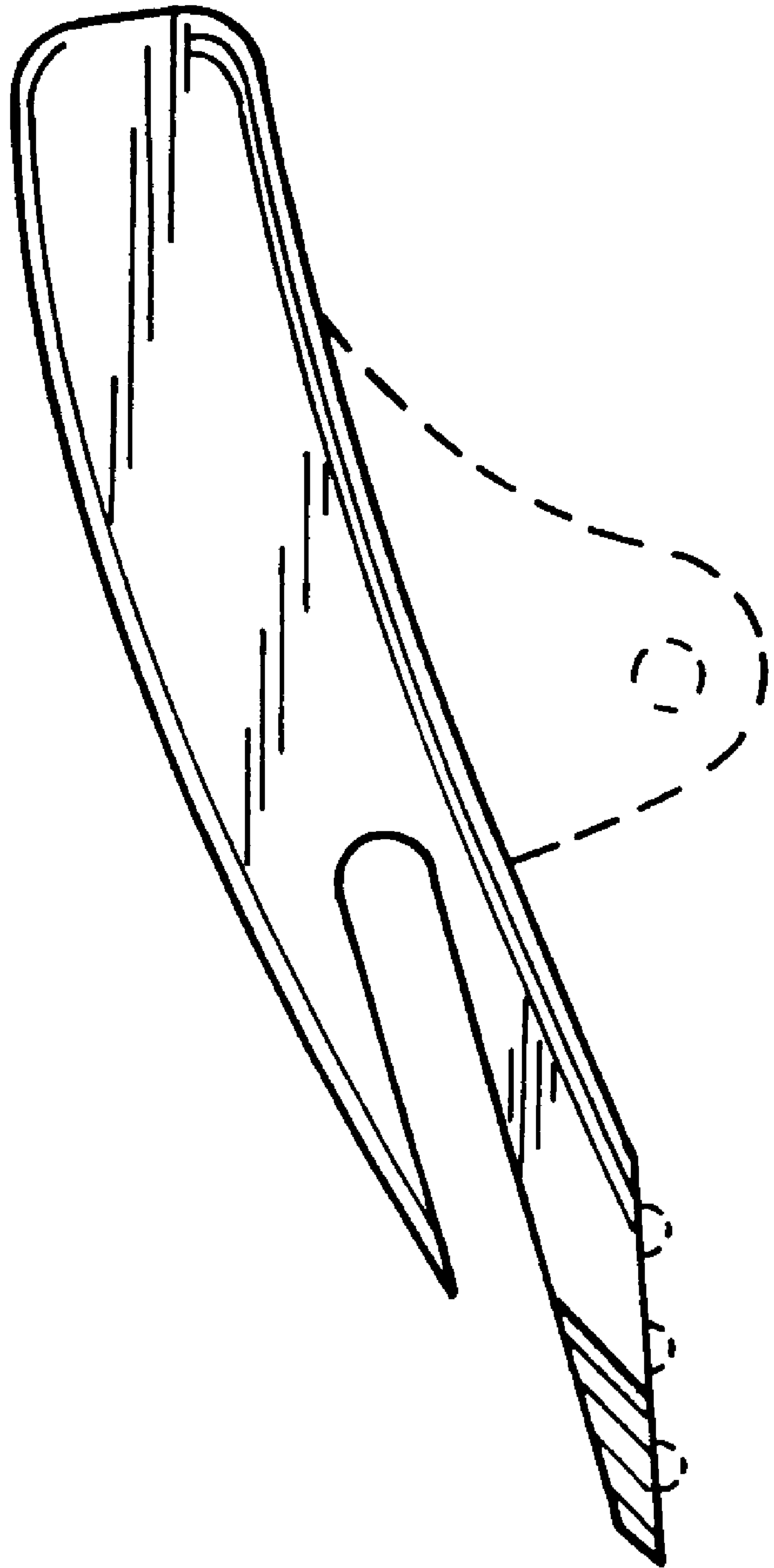


FIG. 6



**FIG. 7**



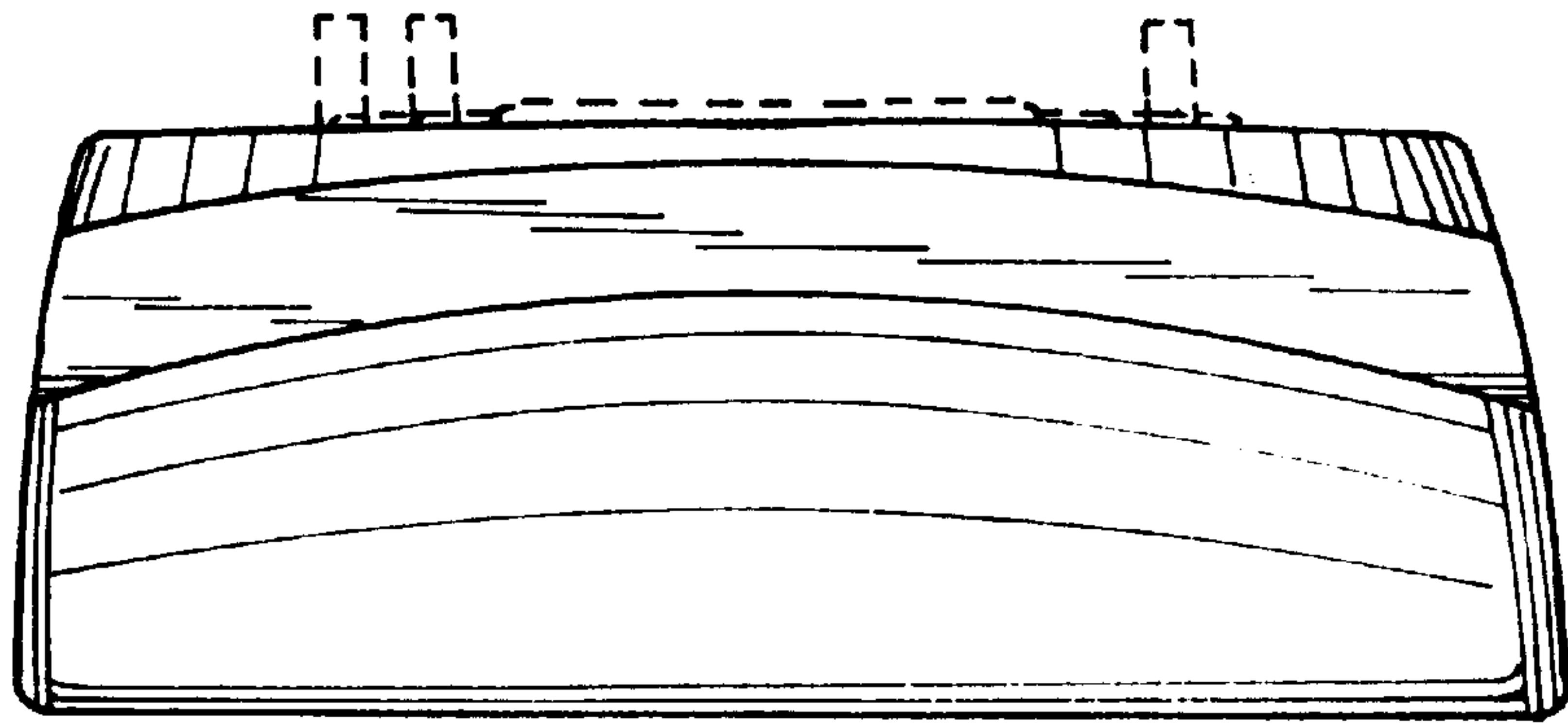


FIG. 8

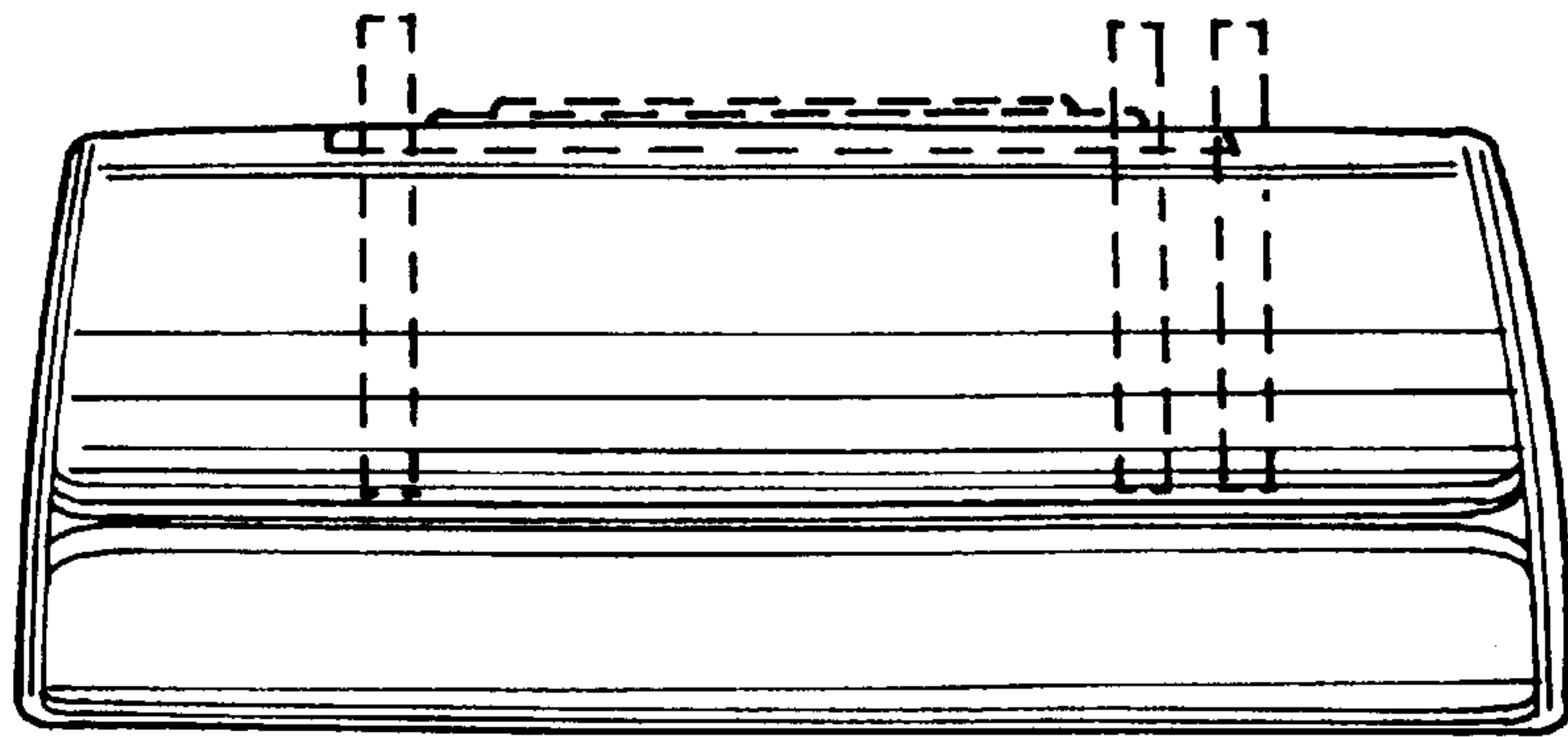


FIG. 9