



US00D428916S

# United States Patent [19]

[11] Patent Number: **Des. 428,916**

Vanini et al.

[45] Date of Patent: **\*\* Aug. 1, 2000**

[54] **PLURAL-TIPPED DISPENSER FOR FLUIDS**

[75] Inventors: **Luigi Vanini**, Albizzate; **Luca Cella**, Milan, both of Italy

[73] Assignee: **Henkel Kommanditgesellschaft auf Aktien**, Duesseldorf, Germany

[\*\*] Term: **14 Years**

[21] Appl. No.: **29/103,597**

[22] Filed: **Apr. 16, 1999**

### [30] Foreign Application Priority Data

Oct. 16, 1998 [XH] Hague Agreement ..... DM/045 507

[51] **LOC (7) Cl.** ..... **19-06**

[52] **U.S. Cl.** ..... **D19/36; D19/66; D19/49; D19/48; D9/338**

[58] **Field of Search** ..... D19/48, 43, 65, D19/66, 70, 71, 99, 100; D9/338; D28/7, 76, 85, 88, 90; 401/82, 29-34, 23, 28, 75, 78, 131, 13, 16, 26, 88, 137, 139, 202; 222/565, 478

### [56] References Cited

#### U.S. PATENT DOCUMENTS

D. 302,176 7/1989 Belletire et al. .... D19/66  
D. 306,315 2/1990 Shintani ..... D19/36

D. 330,912 11/1992 Otake ..... D19/66  
D. 362,462 9/1995 Carlson et al. .... D19/66  
1,783,436 12/1930 Kratochvil ..... 401/34  
1,933,538 11/1933 Brazelton ..... 401/34  
1,977,527 10/1934 Pahle ..... 401/34  
2,370,414 2/1945 Ostrander ..... 401/34  
2,902,977 9/1959 Shurcliff ..... 401/34

*Primary Examiner*—Martie K. Holtje  
*Attorney, Agent, or Firm*—Wayne C. Jaeschke; Stephen D. Harper

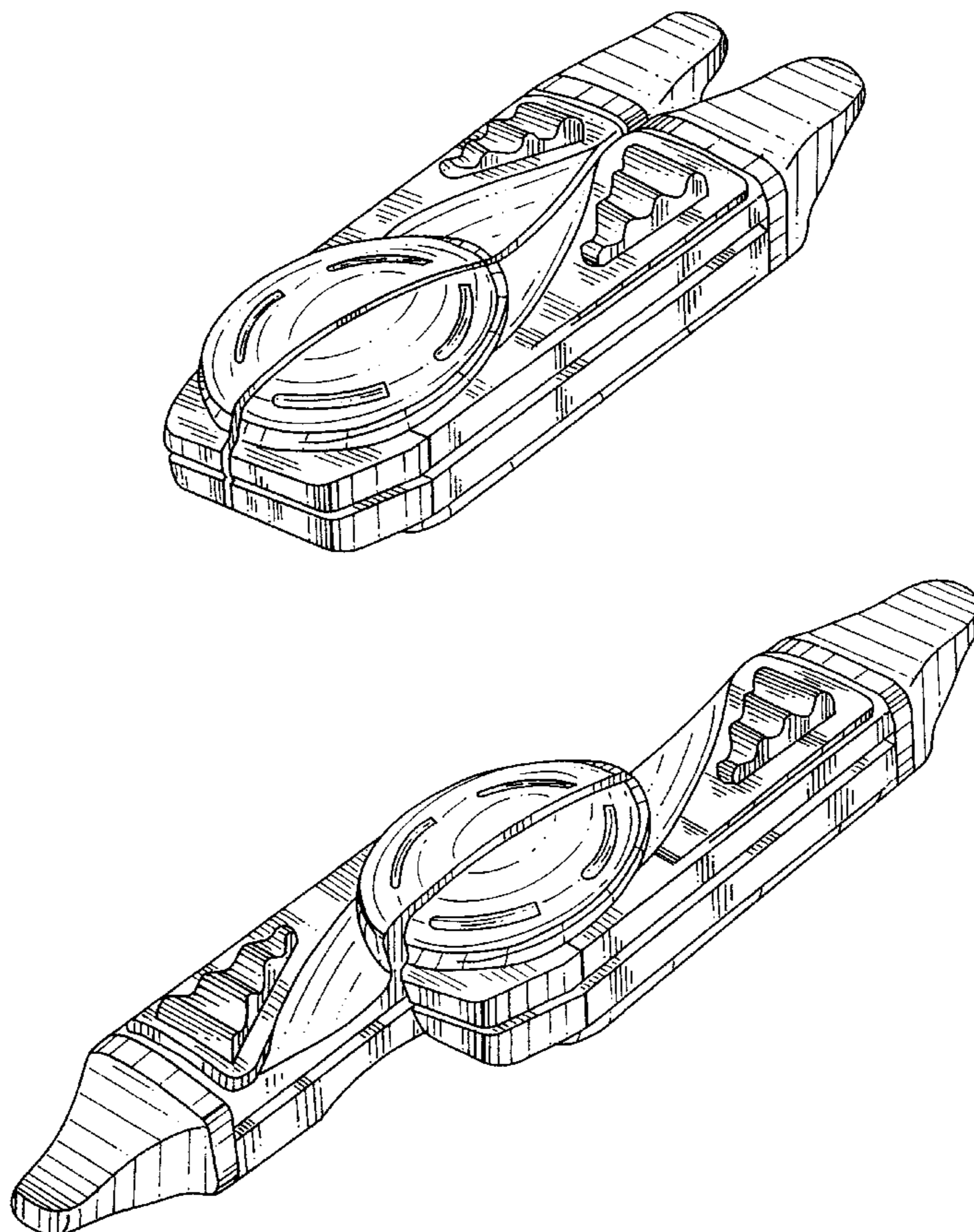
### [57] CLAIM

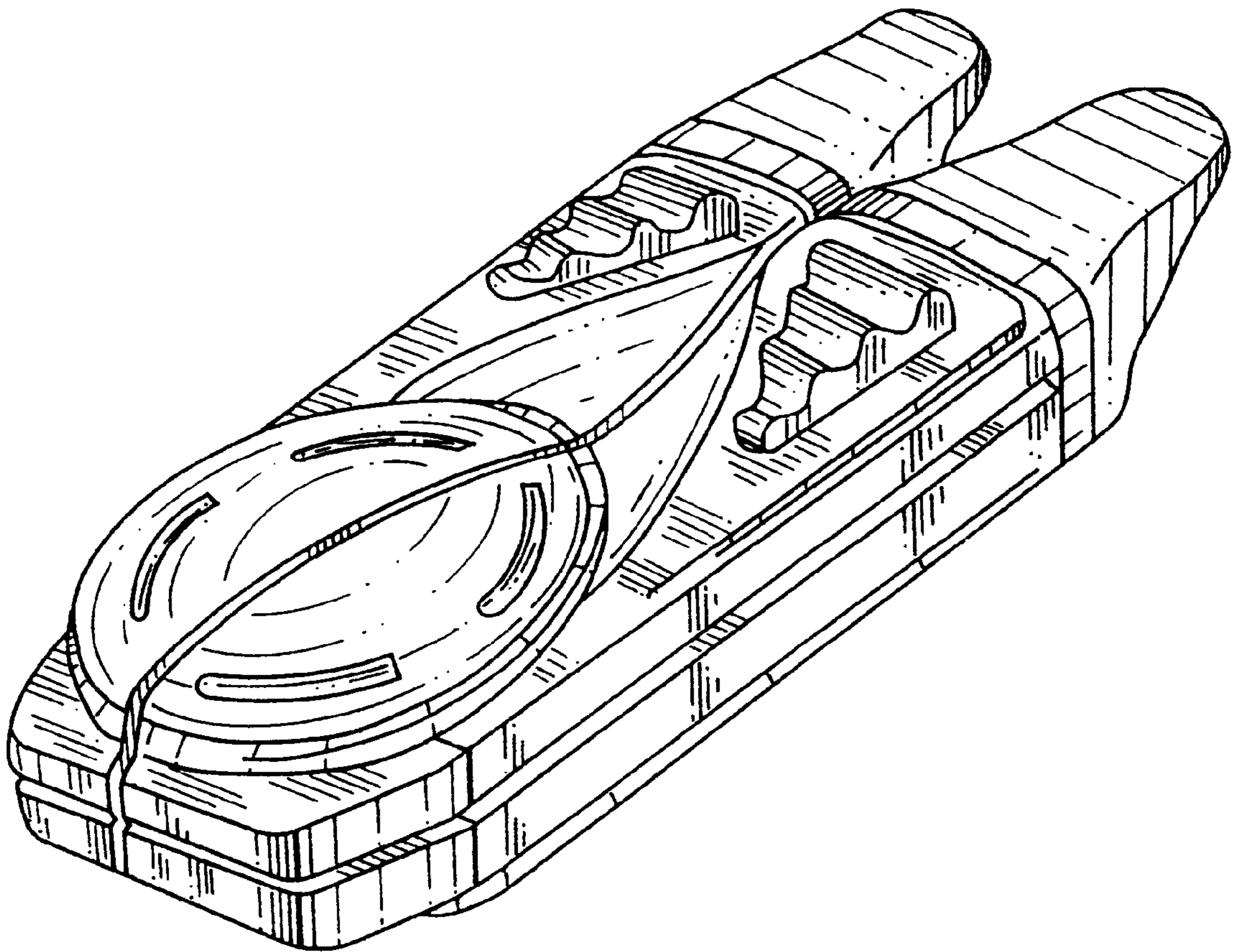
The ornamental design for a plural-tipped dispenser for fluids, as shown and described.

### DESCRIPTION

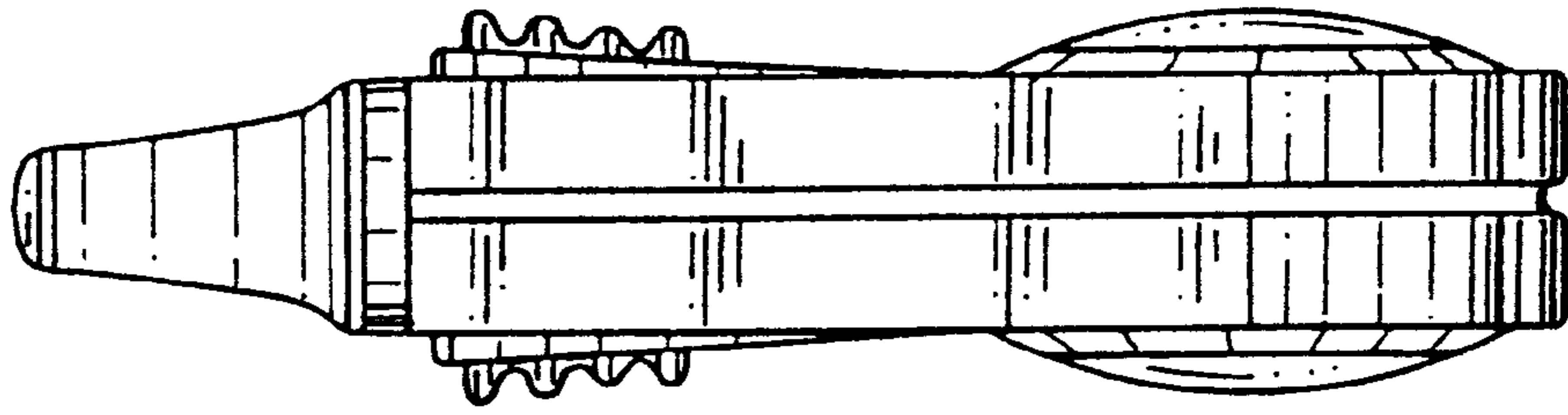
FIG. 1 is a perspective view of the plural-tipped dispenser for fluids showing our new design;  
FIG. 2 is a left side elevational view thereof, the right side elevational view being identical thereto;  
FIG. 3 is a front elevational view thereof, the rear elevational view being identical thereto;  
FIG. 4 is a bottom plan view thereof;  
FIG. 5 is a top plan view thereof; and,  
FIG. 6 is a perspective view showing our new design with the two halves thereof twisted away from one another to alternative positions.

**1 Claim, 4 Drawing Sheets**

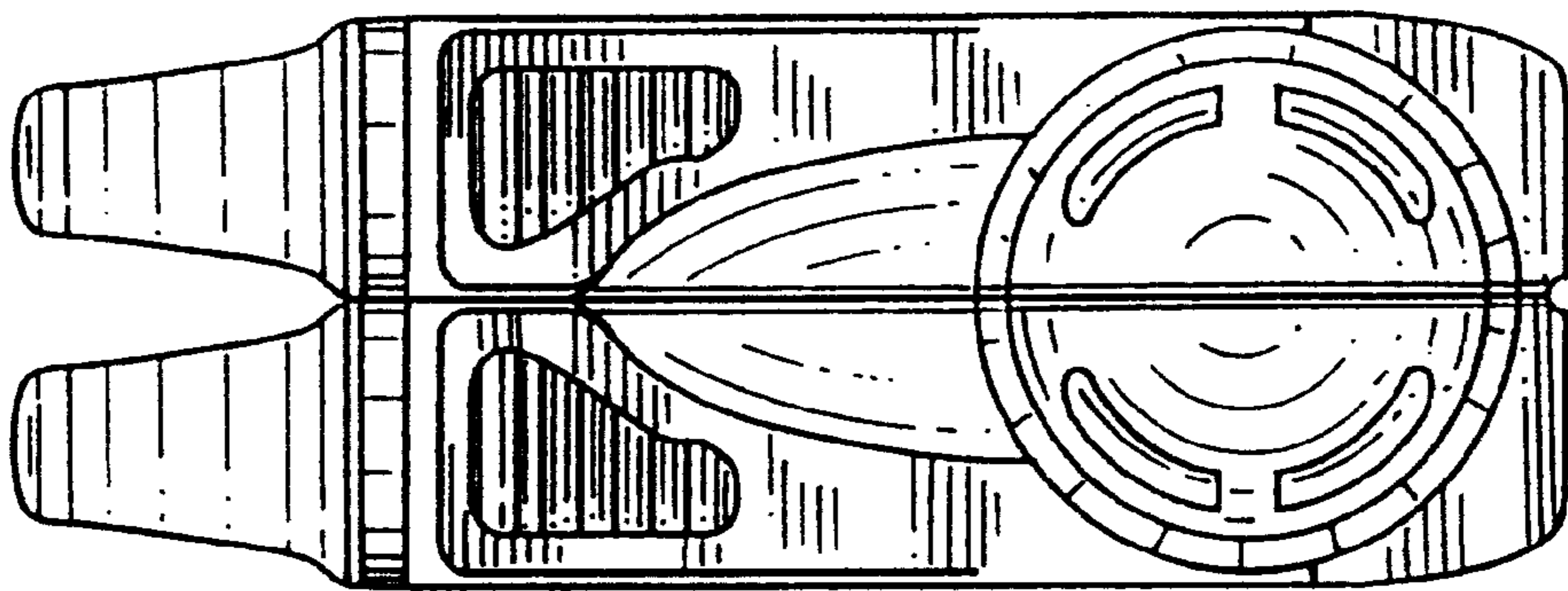




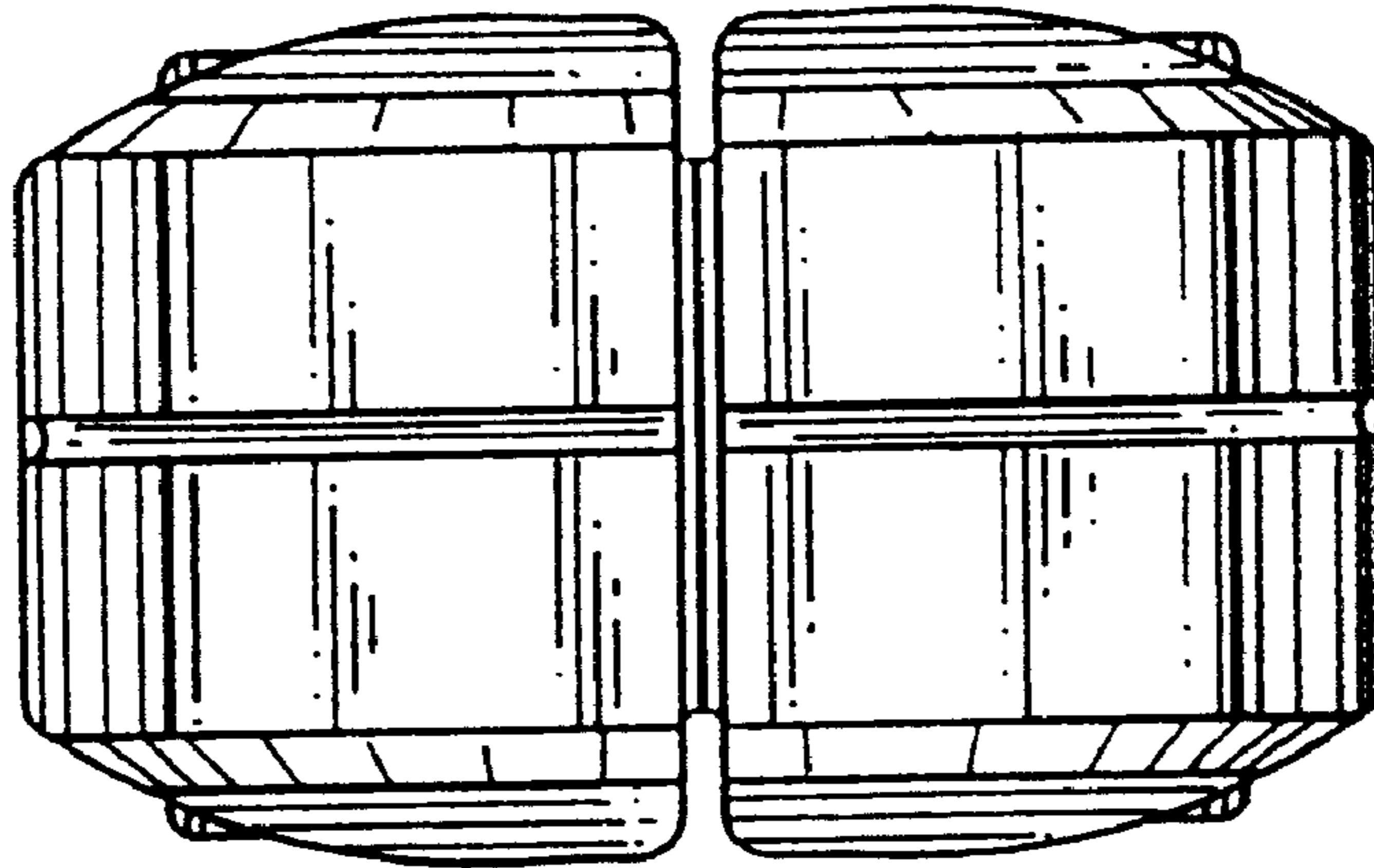
*FIG. 1*



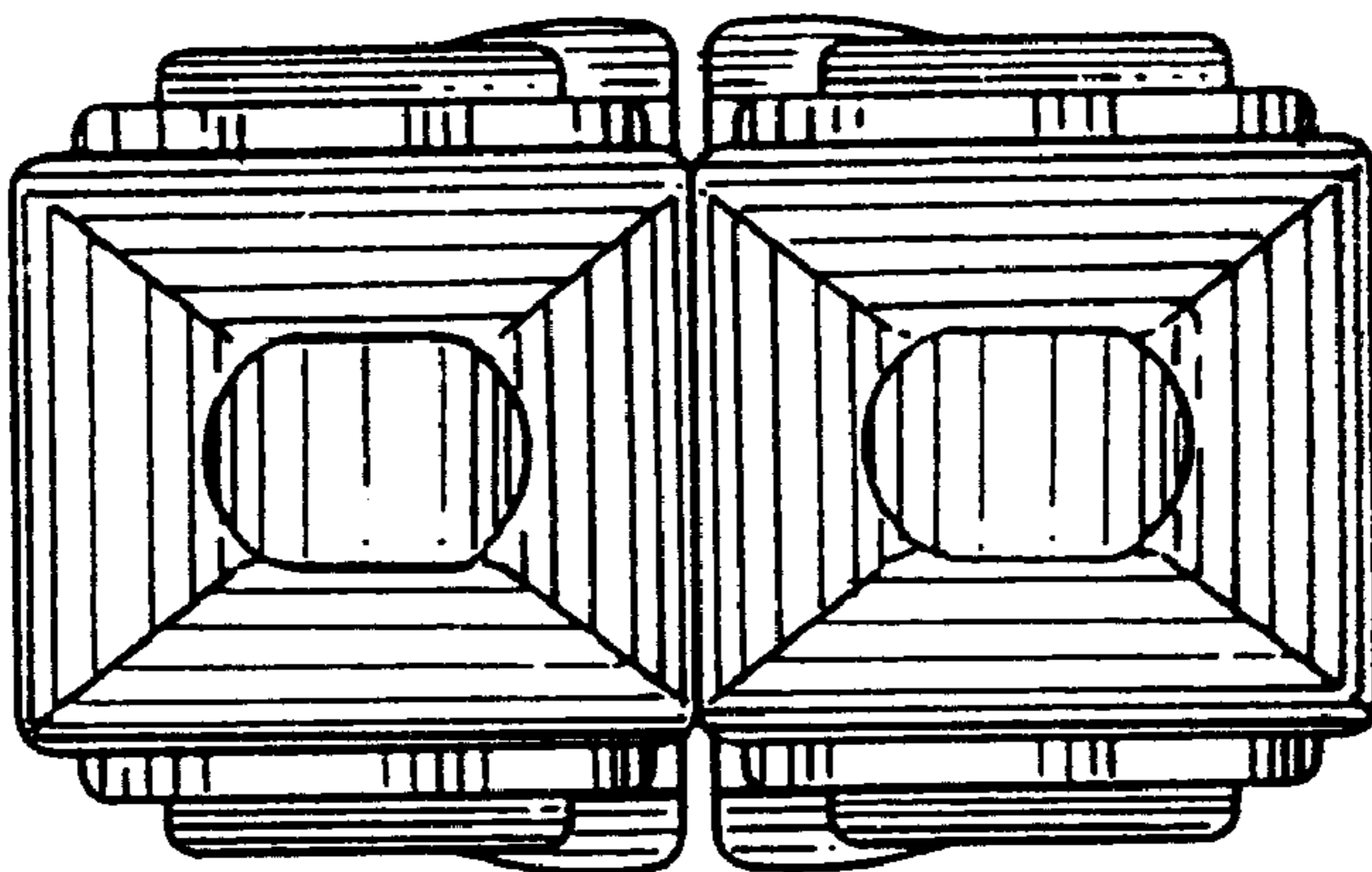
*FIG. 2*



*FIG. 3*



*FIG. 4*



*FIG. 5*

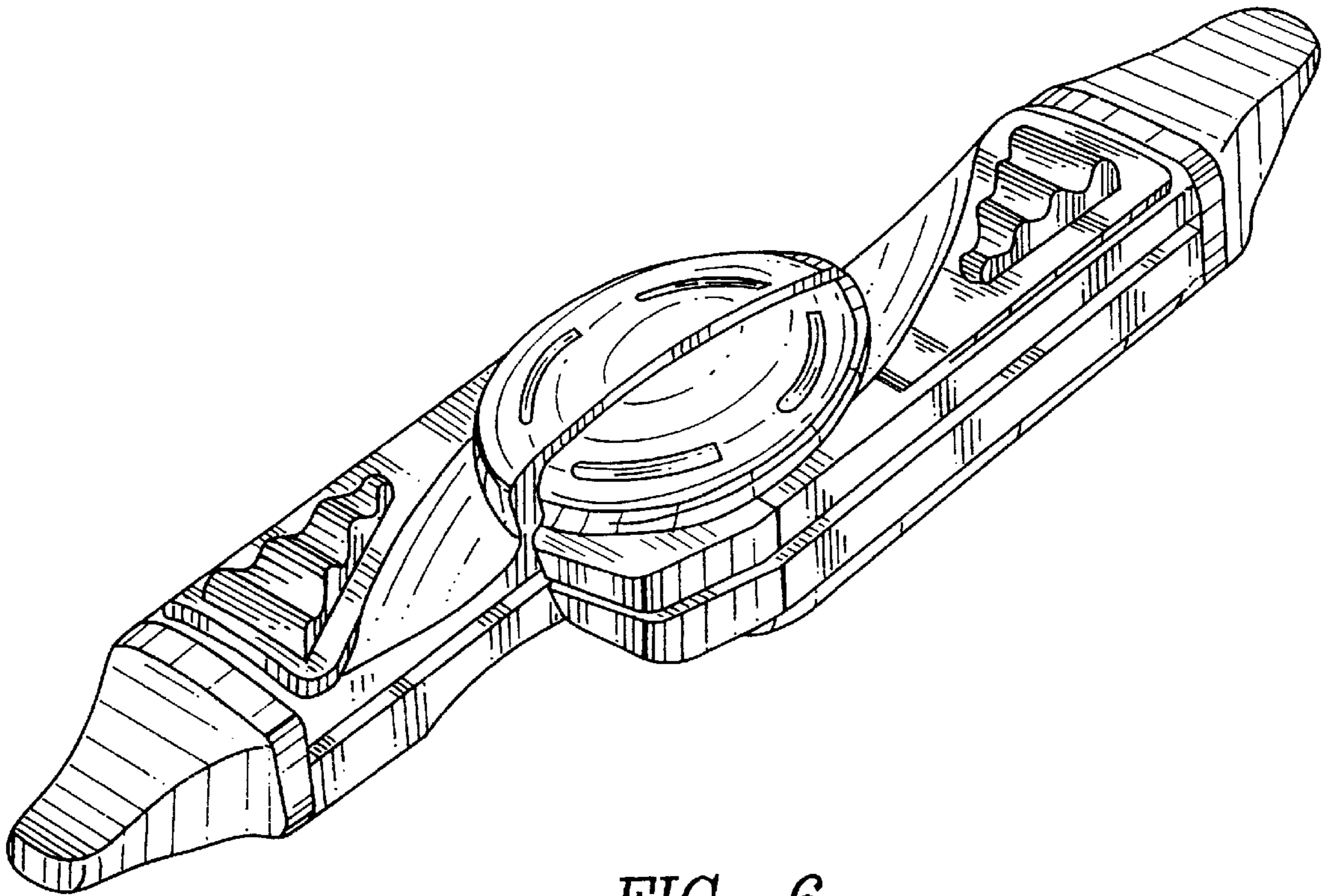


FIG. 6