



US00D428915S

# United States Patent [19]

Hmelar et al.

[11] Patent Number: **Des. 428,915**

[45] Date of Patent: **\*\* Aug. 1, 2000**

[54] **FLUID CONTAINER CAP**

[75] Inventors: **Susan M. Hmelar**, Berlin, Germany;  
**Stephen G. Brown**, Vancouver, Wash.;  
**David M. Thorpe**; **Jan Hippen**, both  
of Portland, Oreg.; **Glen E. Schmidt**,  
Corvallis, Oreg.; **Kevin Ronald**  
**Ryczek**, Methuen, Mass.

[73] Assignee: **Hewlett-Packard Company**, Palo Alto,  
Calif.

[\*\*] Term: **14 Years**

[21] Appl. No.: **29/100,096**

[22] Filed: **Feb. 3, 1999**

### Related U.S. Application Data

[60] Continuation-in-part of application No. 29/088,448, May  
22, 1998, Pat. No. Des. 415,790, which is a division of  
application No. 29/055,382, Jun. 5, 1996, Pat. No. Des.  
416,573.

[51] **LOC (7) Cl.** ..... **18-02**

[52] **U.S. Cl.** ..... **D18/56; 347/86**

[58] **Field of Search** ..... **D18/56; 347/86,**  
**347/87**

### [56] References Cited

#### U.S. PATENT DOCUMENTS

D. 368,275	3/1996	Sakurai et al. ....	D18/56
D. 375,756	11/1996	Murray et al. ....	D18/56
D. 378,660	4/1997	Ota et al. ....	D9/417
D. 391,986	3/1998	Steinmetz et al. ....	D18/56
4,131,899	12/1978	Christou .	
4,551,734	11/1985	Causley et al. .	
4,568,954	2/1986	Rosback .	
4,959,667	9/1990	Kaplinsky .	
5,216,452	6/1993	Suzuki .	
5,477,963	12/1995	Mochizuki et al. .	
5,541,631	7/1996	Hashimoto .....	347/86
5,583,545	12/1996	Pawlowski, Jr. et al. ....	347/86
5,629,728	5/1997	Karita et al. ....	347/87
5,646,664	7/1997	Pawlowski, Jr. ....	347/86
5,734,401	3/1998	Clark et al. ....	347/86
5,777,646	7/1998	Barinaga et al. ....	347/86

5,784,087	7/1998	Wallace et al. ....	347/86
5,825,387	10/1998	Cowger et al. ....	347/86
5,844,579	12/1998	Barinaga et al. ....	347/86
5,852,459	12/1998	Pawlowski, Jr. et al. ....	347/86
5,856,839	1/1999	Aukstikalnis et al. ....	347/86
5,856,840	1/1999	Barinaga et al. ....	347/86
5,860,363	1/1999	Childers et al. ....	347/86
5,900,896	5/1999	Barinaga et al. ....	347/86

### FOREIGN PATENT DOCUMENTS

9170151	8/1991	Australia .
560266 A2	9/1993	European Pat. Off. .
60-219061A	11/1985	Japan .
62-261451	11/1987	Japan .
2-514A	1/1990	Japan .
2-243351A	9/1990	Japan .
3-184873A	8/1991	Japan .
3-248848A	11/1991	Japan .
6-218941A	8/1994	Japan .

*Primary Examiner*—Cathy Anne MacCormac  
*Attorney, Agent, or Firm*—Raymond A. Jencki

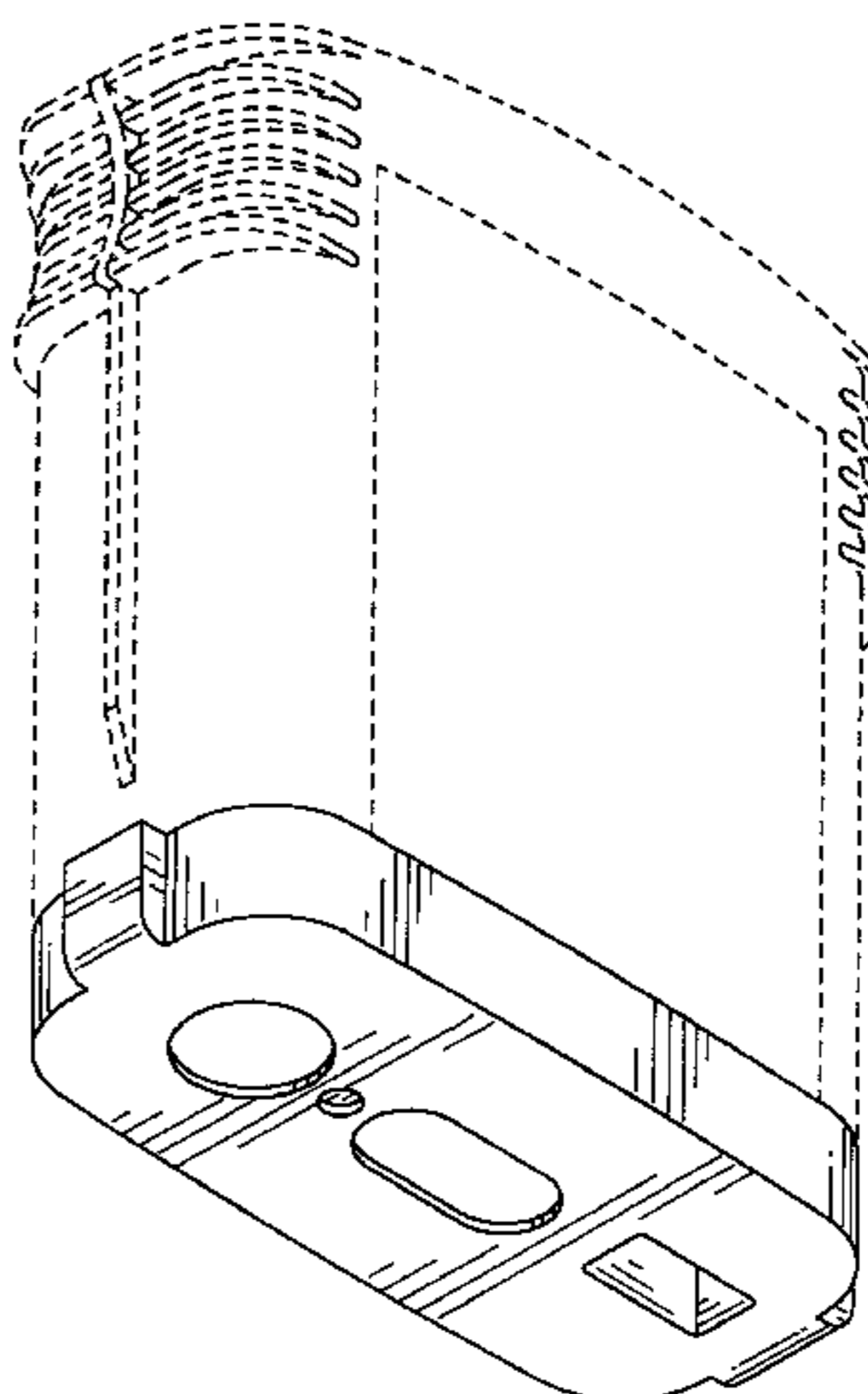
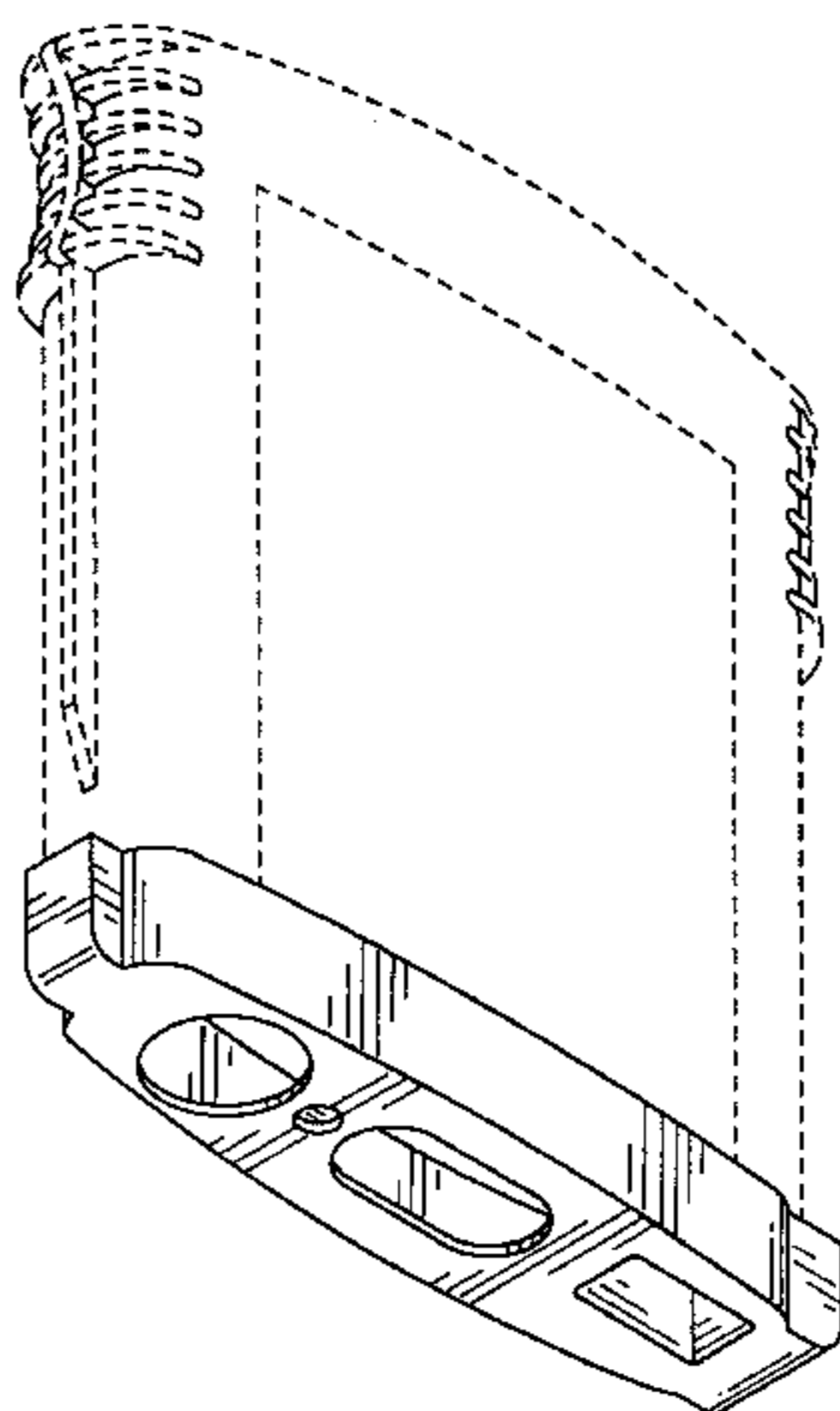
### [57] CLAIM

We claim the ornamental design for a fluid container cap, as shown and described.

### DESCRIPTION

FIG. 1 is bottom, front, and left side perspective view of a fluid container cap showing our new design;  
 FIG. 2 is a front elevation view of our new design, the rear elevation view being a mirror image thereof;  
 FIG. 3 is a left side elevation view of our new design;  
 FIG. 4 is a right side elevation view of our new design;  
 FIG. 5 is a bottom plan view of our new design;  
 FIG. 6 is a bottom, front, and left side perspective view of a second embodiment of FIG. 1;  
 FIG. 7 is a front elevation view of FIG. 6, the rear elevation view being a mirror image;  
 FIG. 8 is a left side elevation view of FIG. 6;  
 FIG. 9 is a right side elevation view of FIG. 6; and,  
 FIG. 10 is a bottom plan view of FIG. 6.  
 Broken line material of the Figures is for illustrative purposes only and forms no part of the claimed design.

**1 Claim, 4 Drawing Sheets**



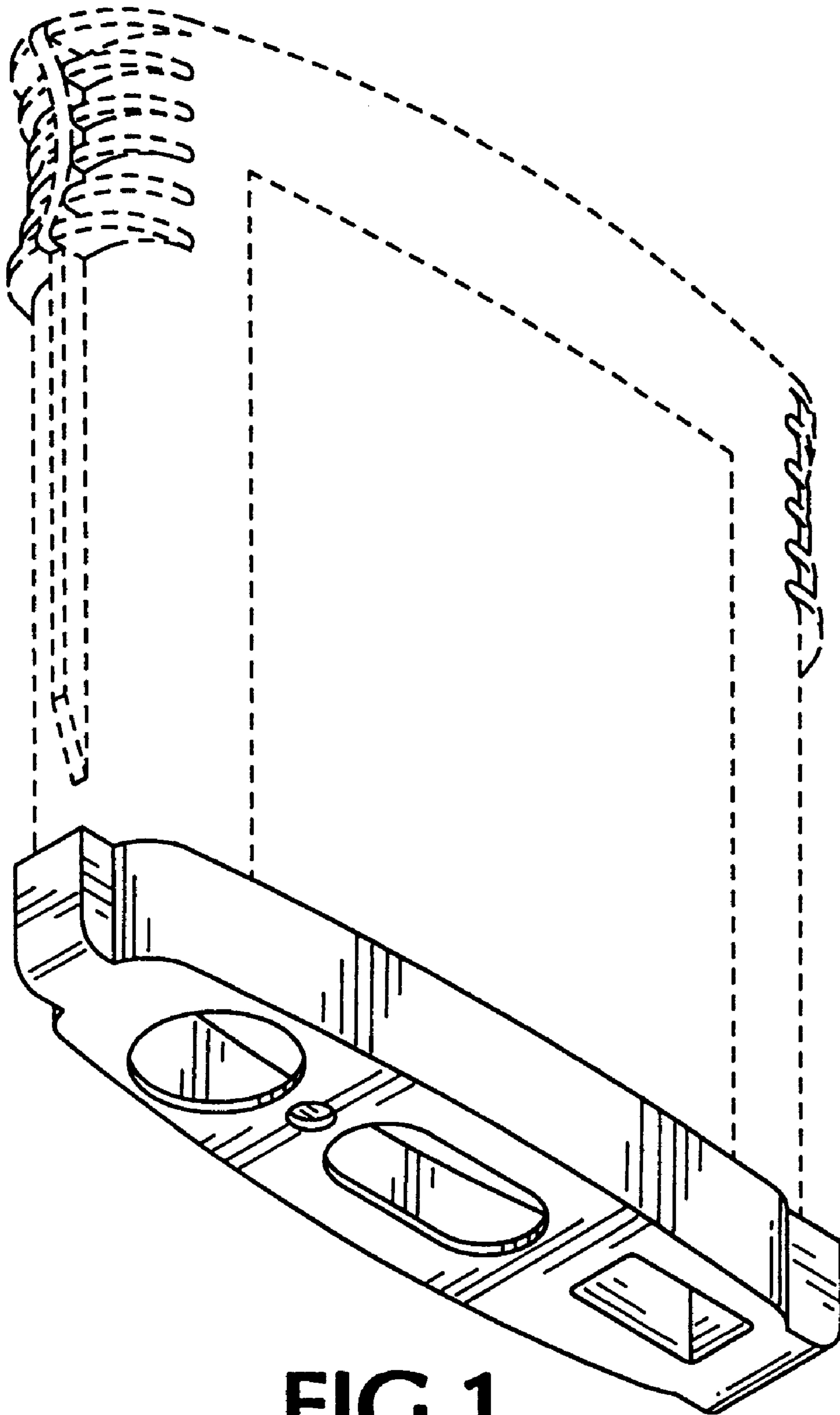


FIG. 1

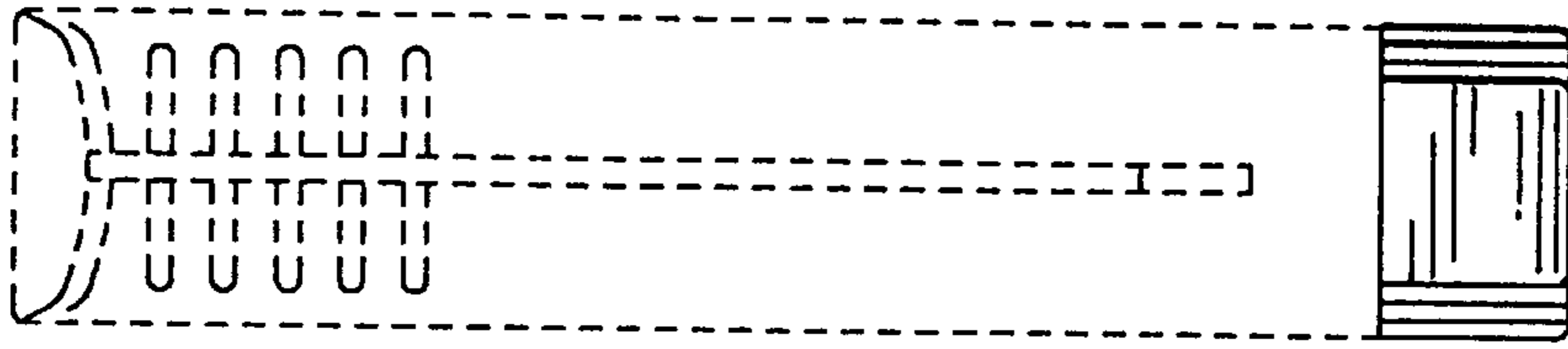


FIG. 4

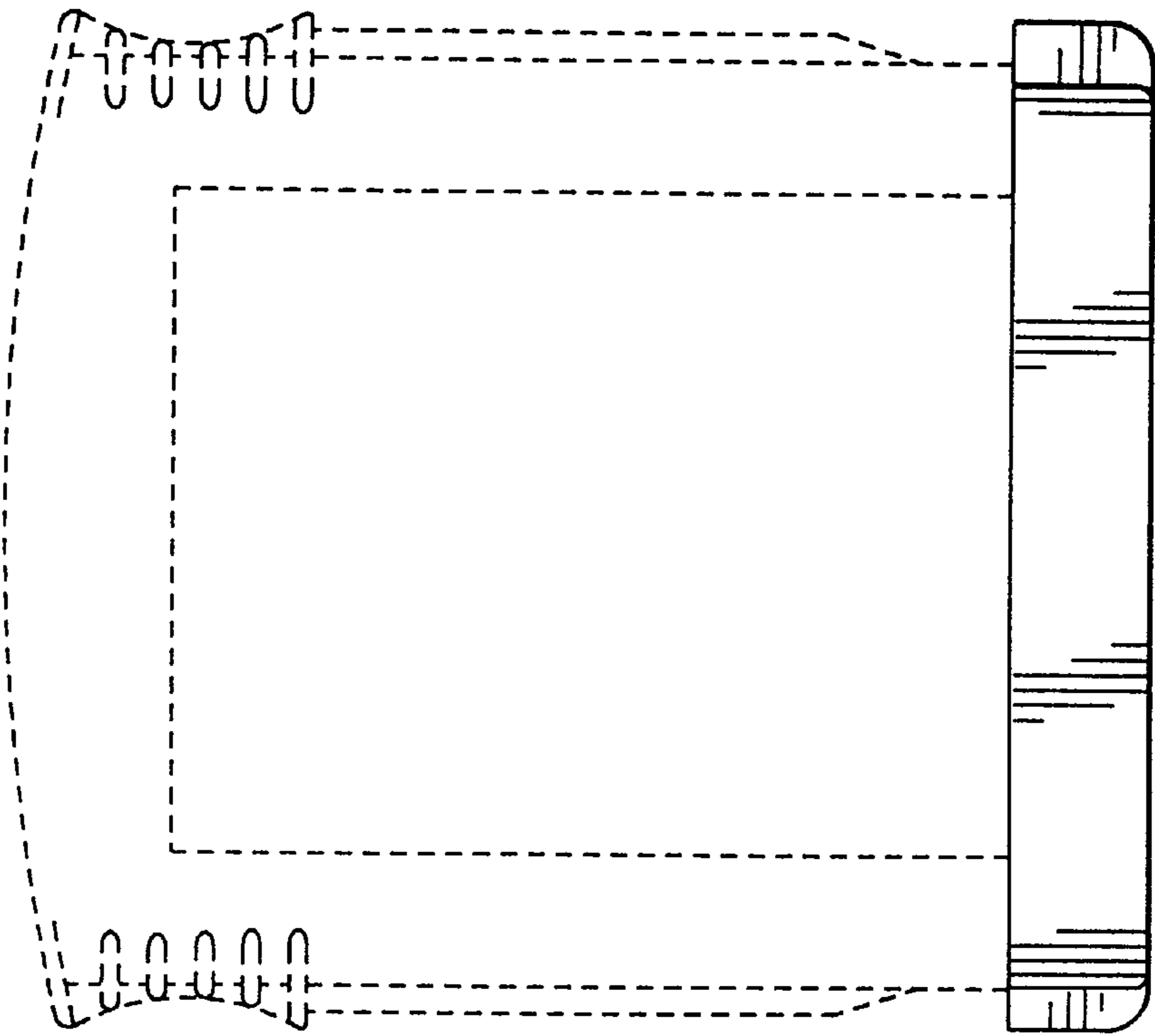


FIG. 2

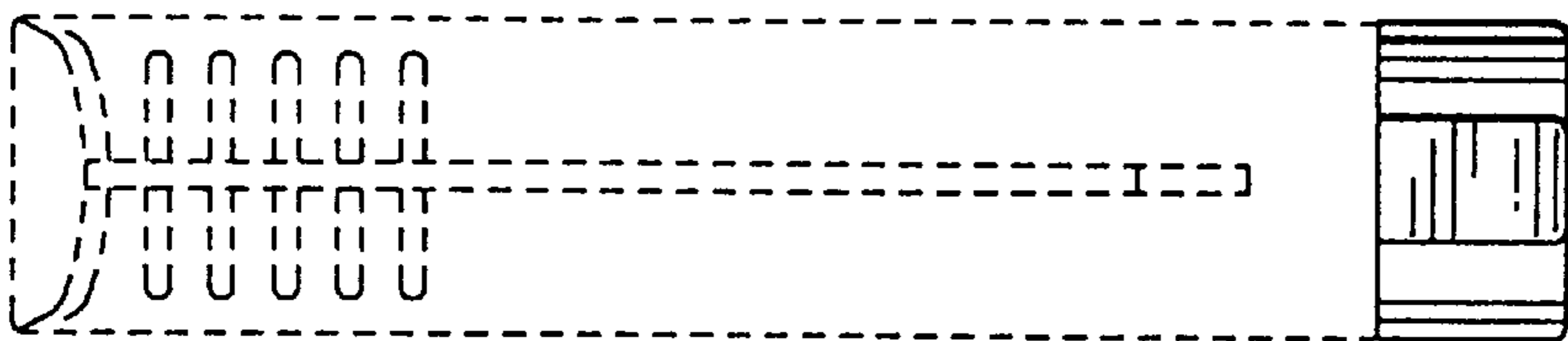


FIG. 3

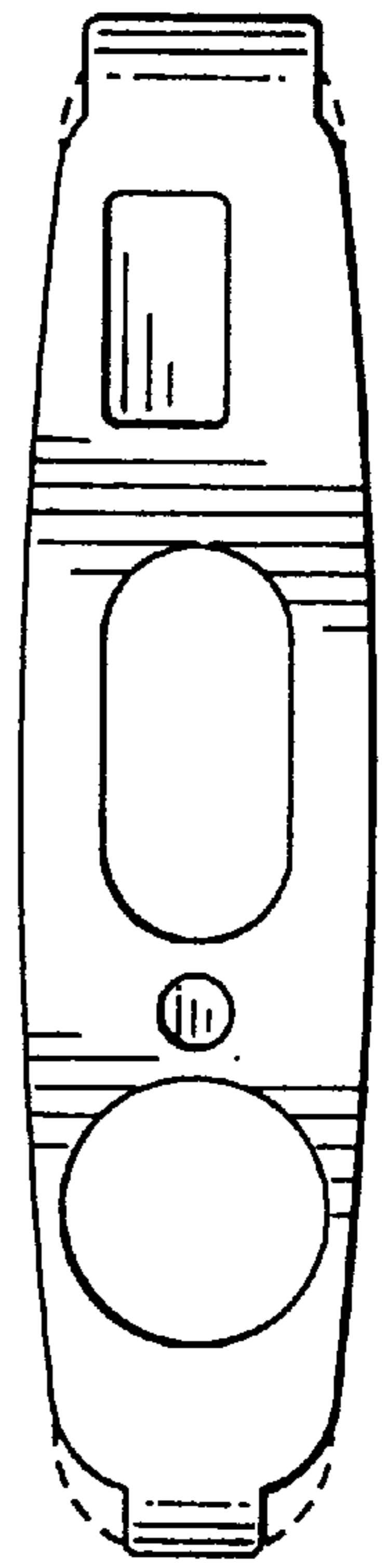
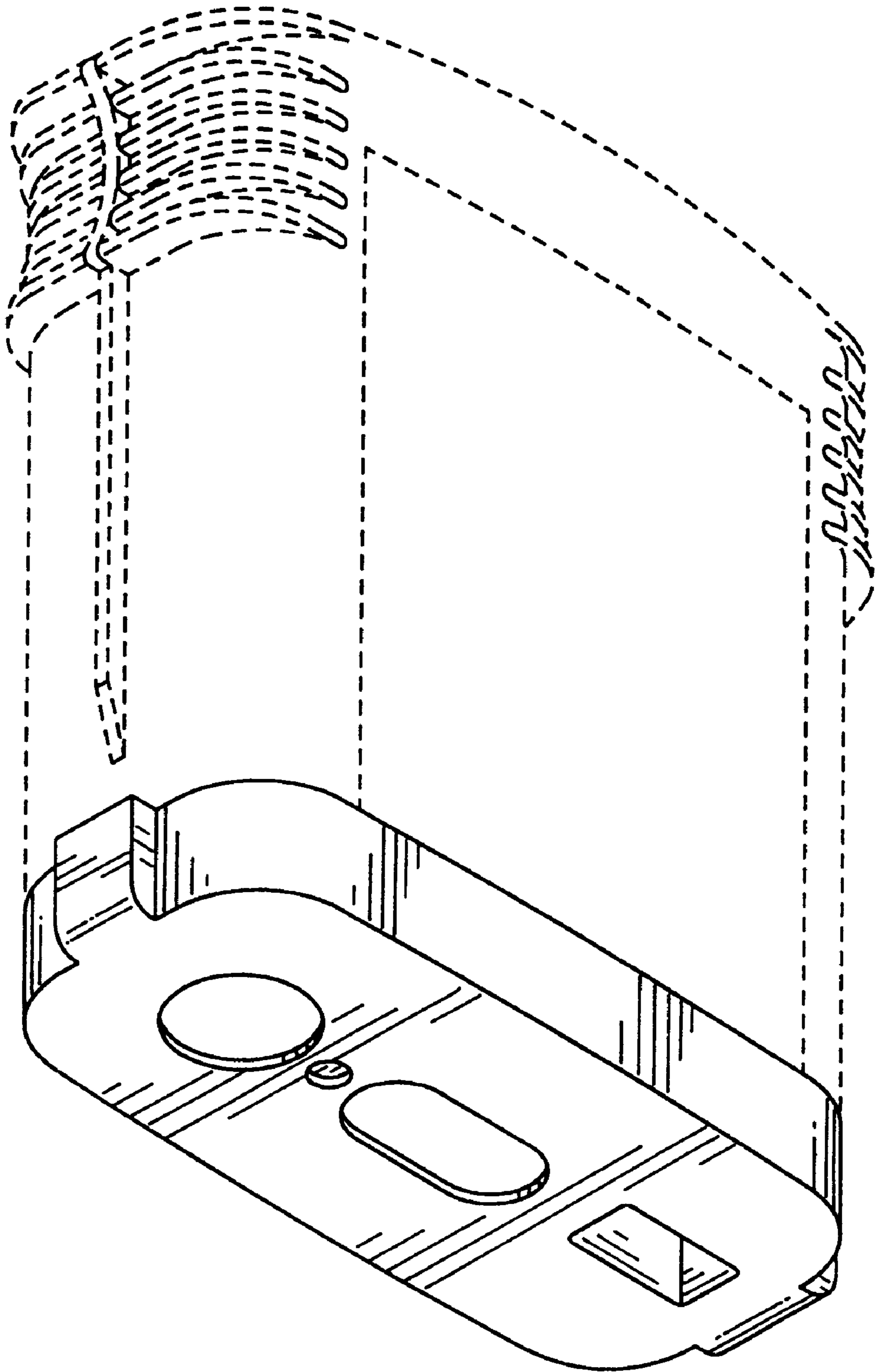


FIG. 5



**FIG.6**

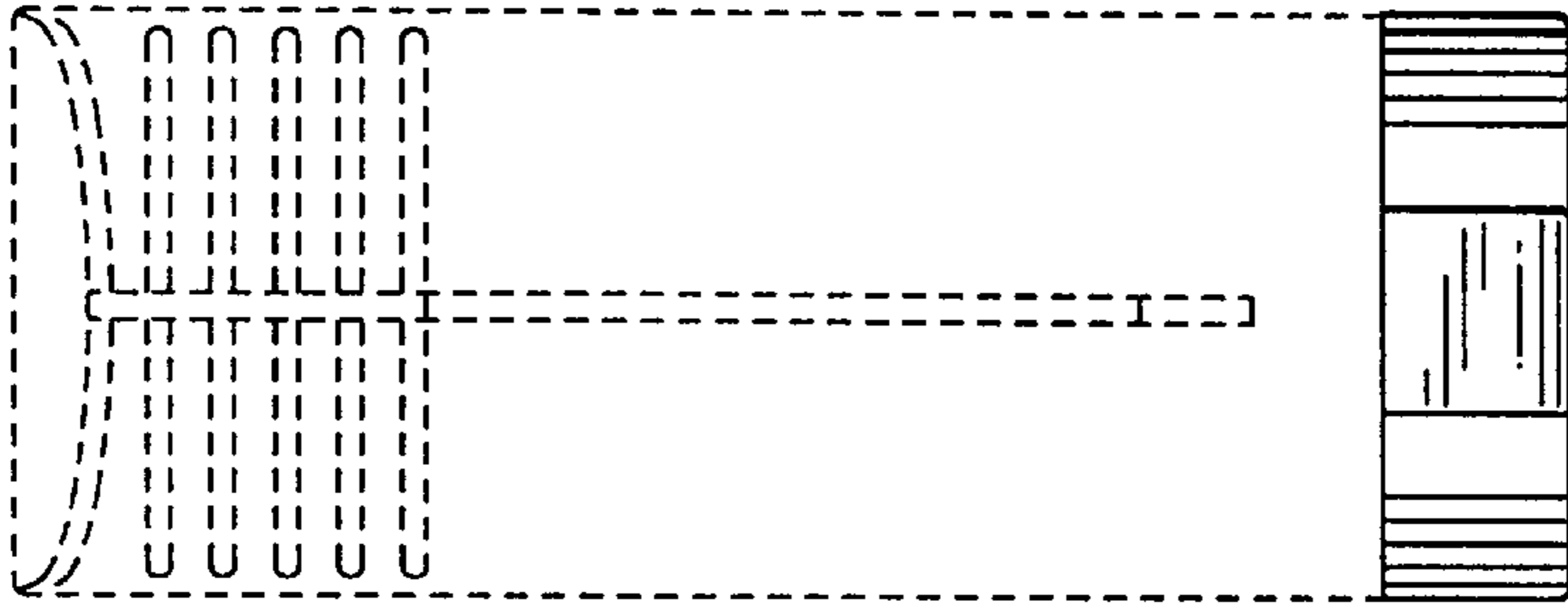


FIG. 9

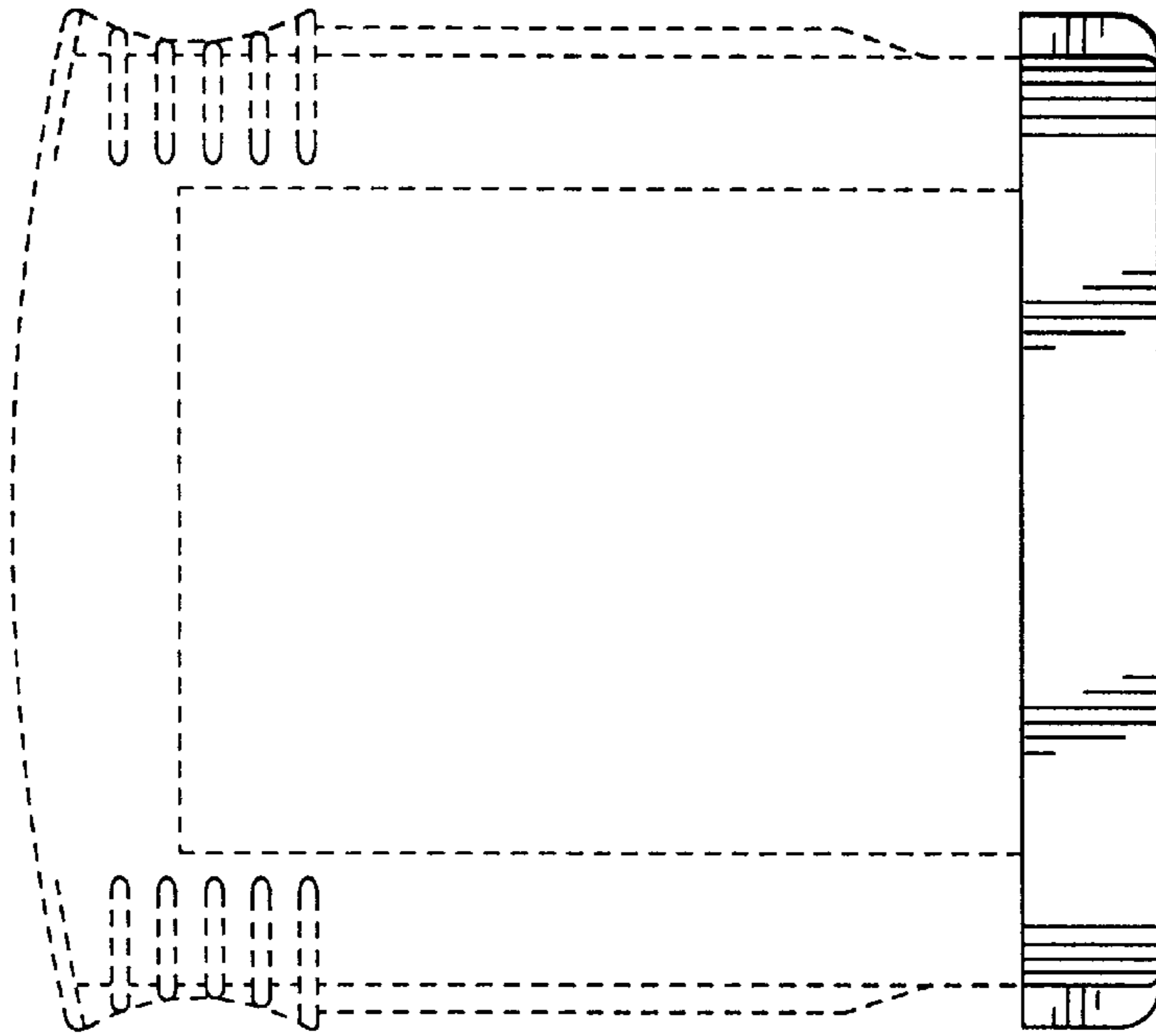


FIG. 7

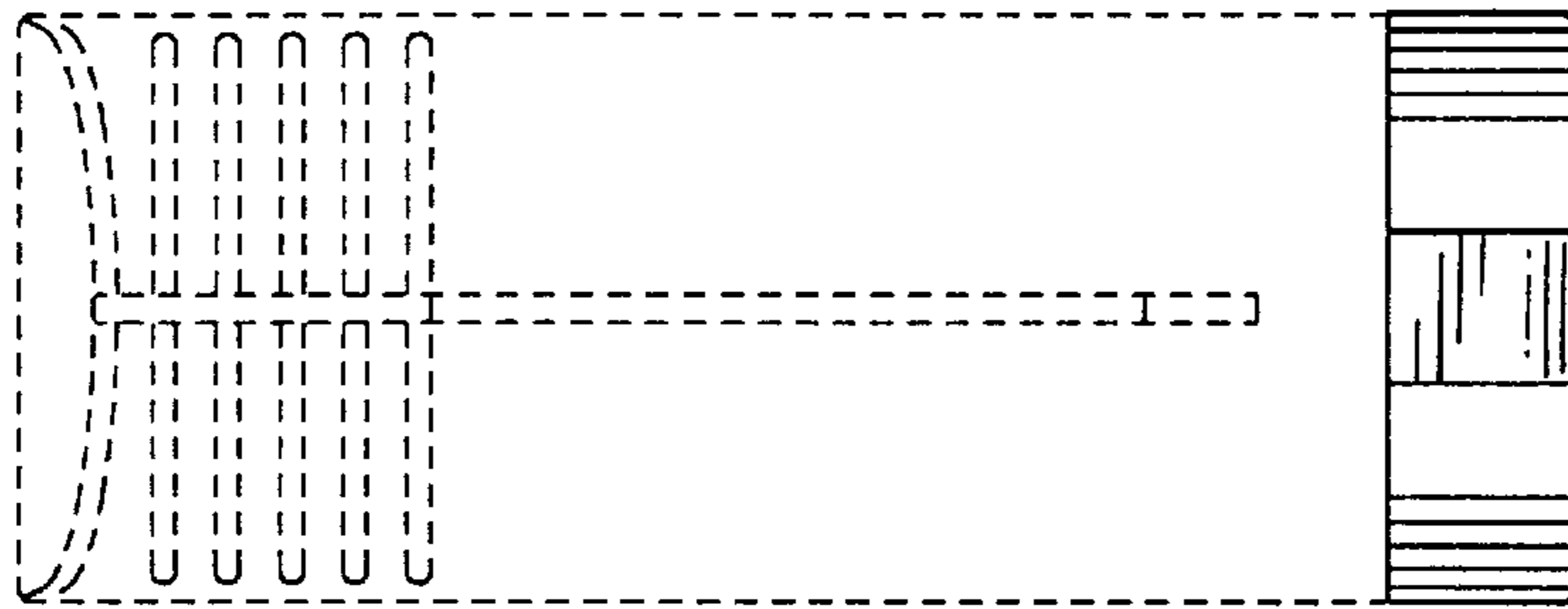


FIG. 8

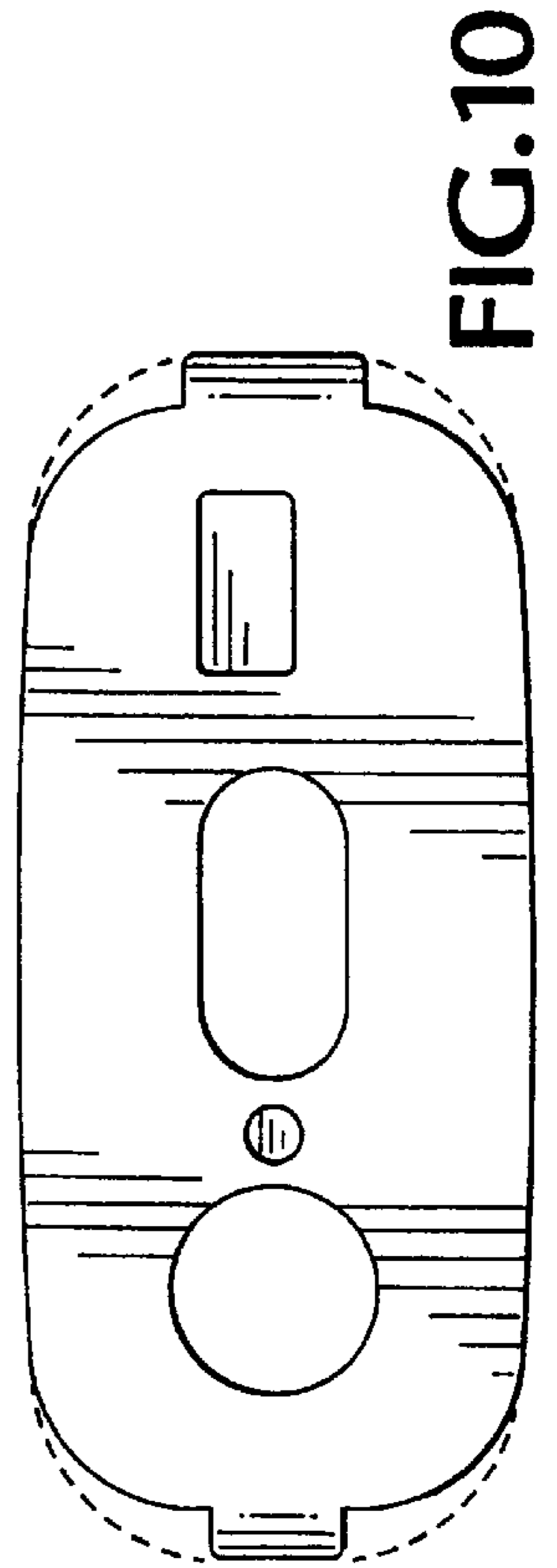


FIG. 10