



US00D428914S

United States Patent [19]

Kabumoto et al.

[11] Patent Number: **Des. 428,914**

[45] Date of Patent: **** Aug. 1, 2000**

[54] **ELECTRONIC COPYING MACHINE**

[75] Inventors: **Masaaki Kabumoto**, Chiba; **Kazuyoshi Yamada**, Kanagawa; **Yoshihisa Minakawa**, Tokyo; **Taijiroh Sueishi**; **Goroh Katsuyama**, both of Kanagawa, all of Japan

[73] Assignee: **Ricoh Company, Ltd.**, Tokyo, Japan

[**] Term: **14 Years**

[21] Appl. No.: **29/106,449**

[22] Filed: **Jun. 17, 1999**

[30] **Foreign Application Priority Data**

Dec. 18, 1998 [JP] Japan 10-036774

[51] **LOC (7) Cl.** **16-03**

[52] **U.S. Cl.** **D18/39**

[58] **Field of Search** D18/36-39; 399/1, 399/130, 131, 132, 134, 135, 145, 148

[56] **References Cited**

U.S. PATENT DOCUMENTS

D. 263,289 3/1982 Onoue et al. D18/38

D. 334,400	3/1993	Penke et al.	D18/39
D. 344,973	3/1994	Penke et al.	D18/39
D. 350,767	9/1994	Kojima et al.	D18/38
D. 377,944	2/1997	Seki et al.	D18/39
5,049,929	9/1991	Anderson et al.	399/82

Primary Examiner—Caron D. Veynar
Attorney, Agent, or Firm—Dickstein Shapiro Morin & Oshinsky LLP

[57] **CLAIM**

The ornamental design for the electronic copying machine, as shown and described.

DESCRIPTION

FIG. 1 is a top, front and left side perspective view of an electronic copying machine showing our new design; FIG. 2 is a front elevation view thereof; FIG. 3 is a rear elevation view thereof; FIG. 4 is a top elevation view thereof; FIG. 5 is a bottom elevation view thereof; FIG. 6 is a left side elevation view thereof; and, FIG. 7 is a right side elevation view thereof.

1 Claim, 4 Drawing Sheets

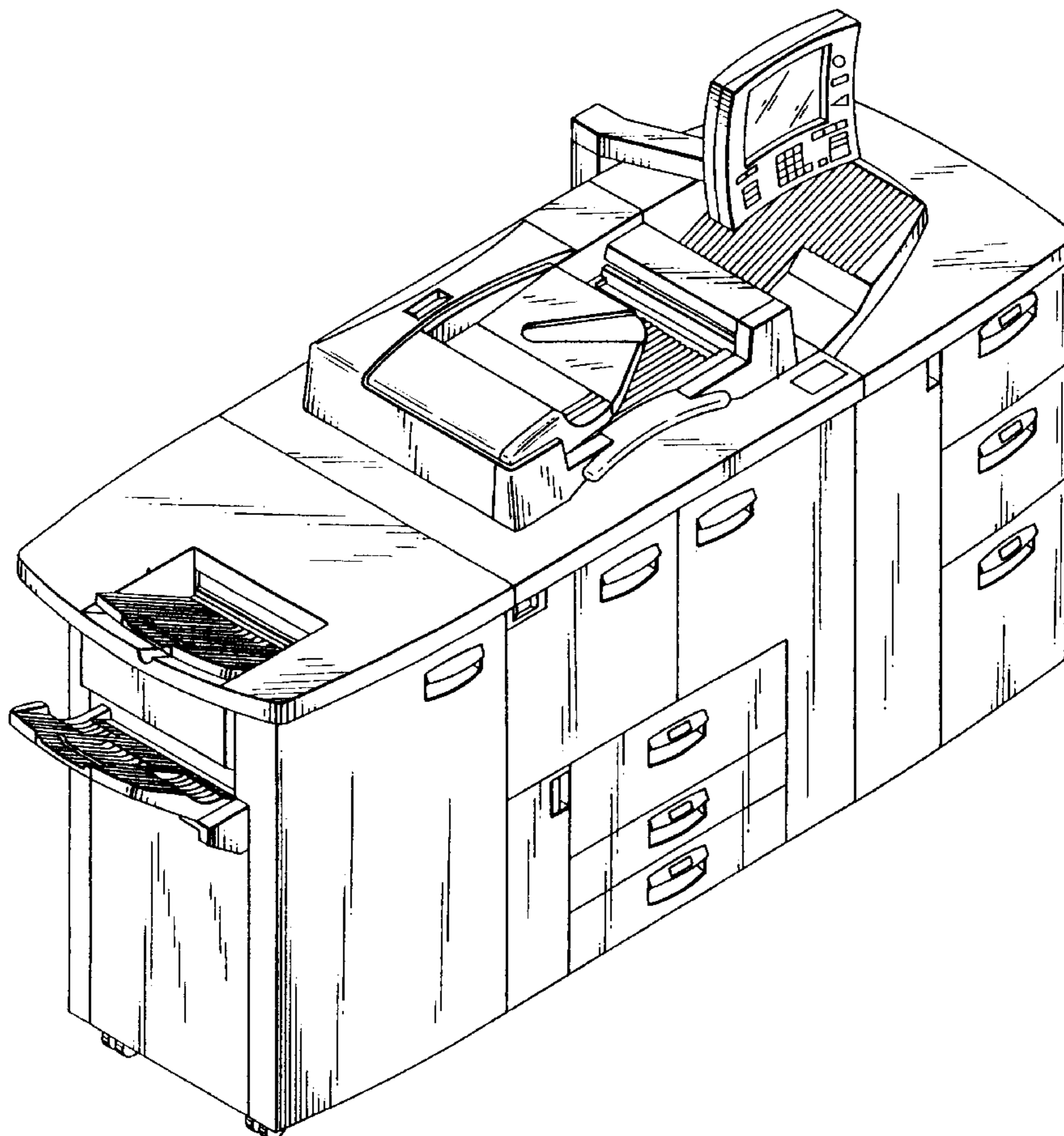


FIG. 1

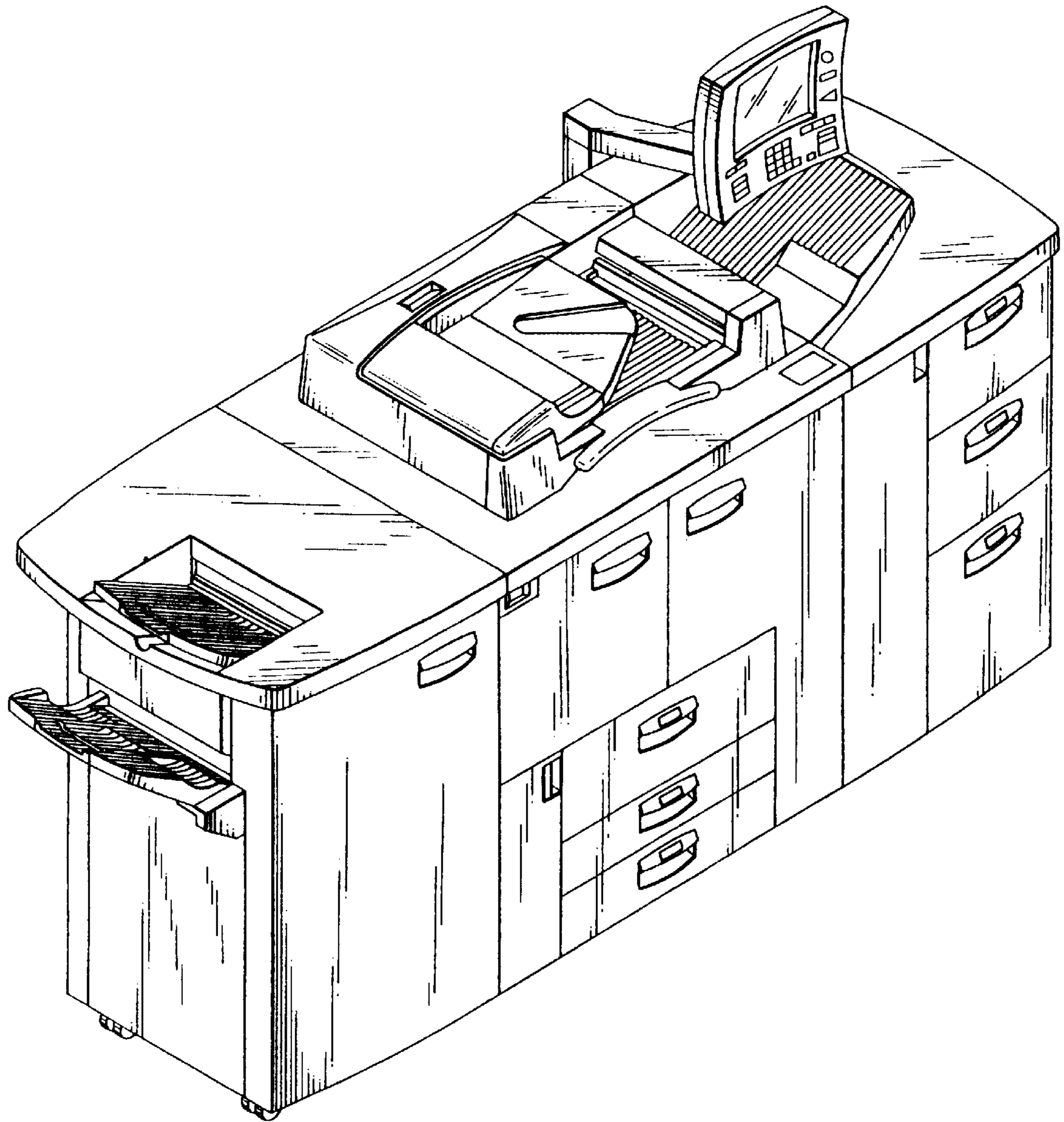


FIG. 2

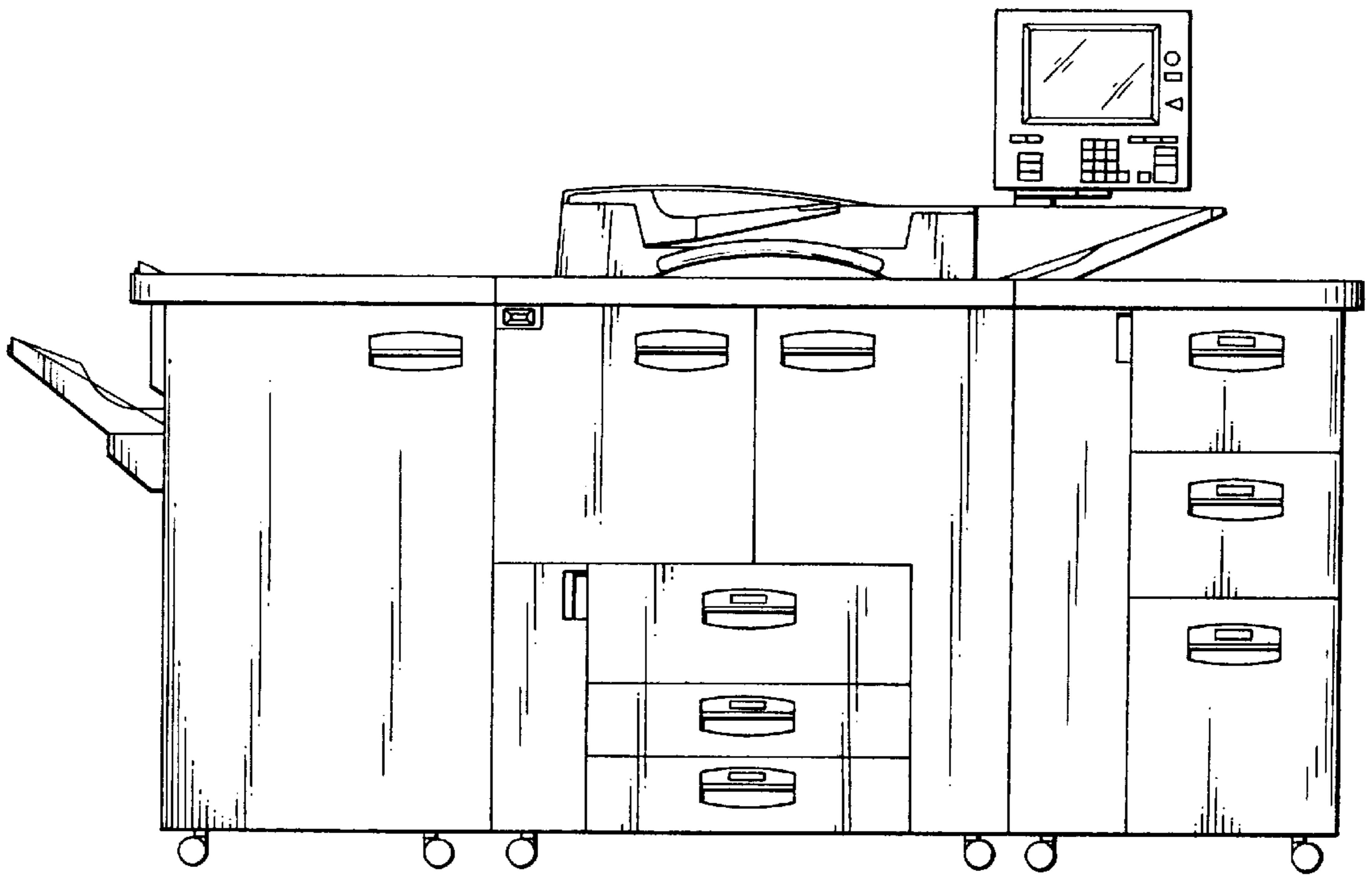


FIG. 3

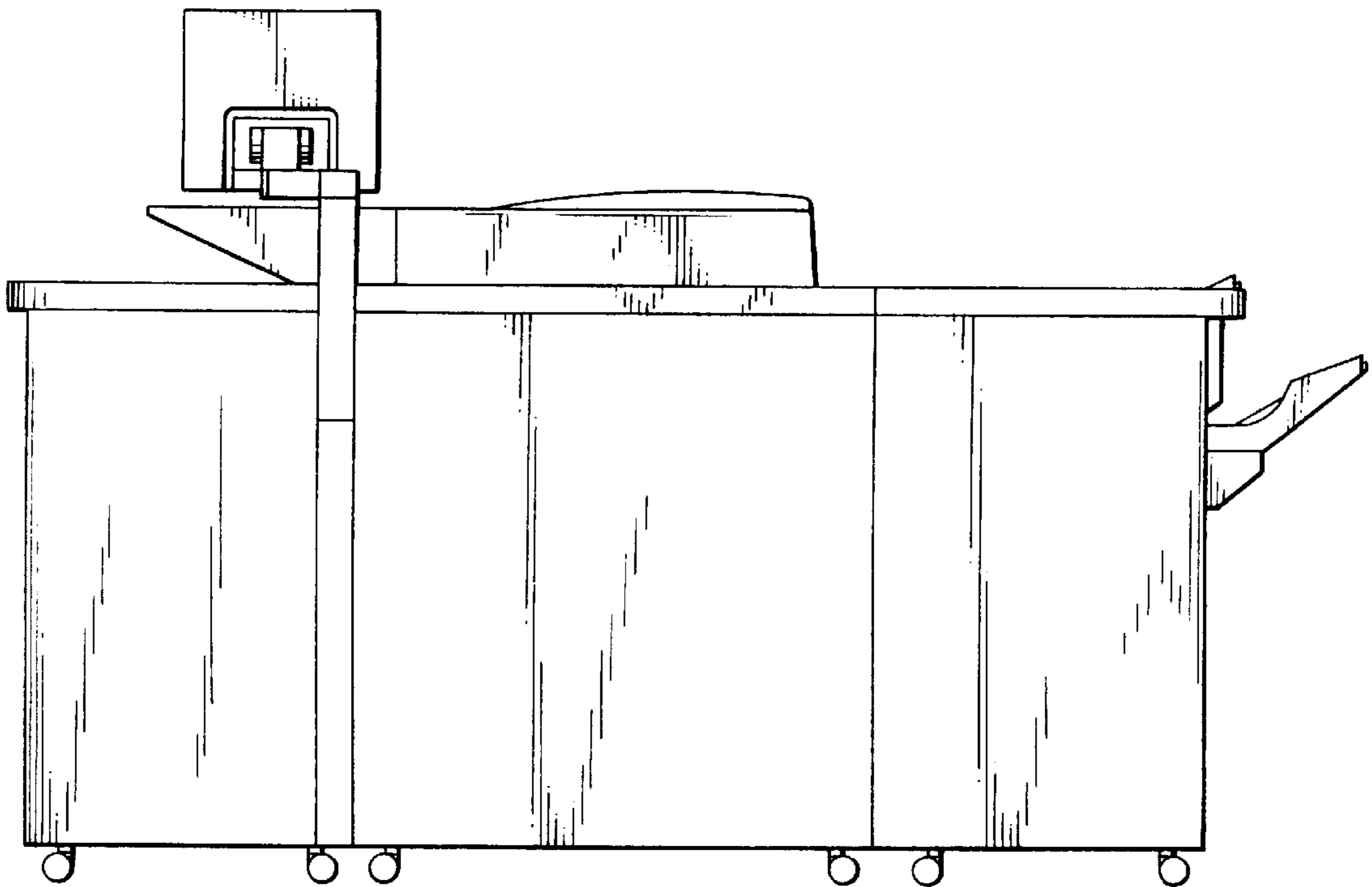


FIG. 4

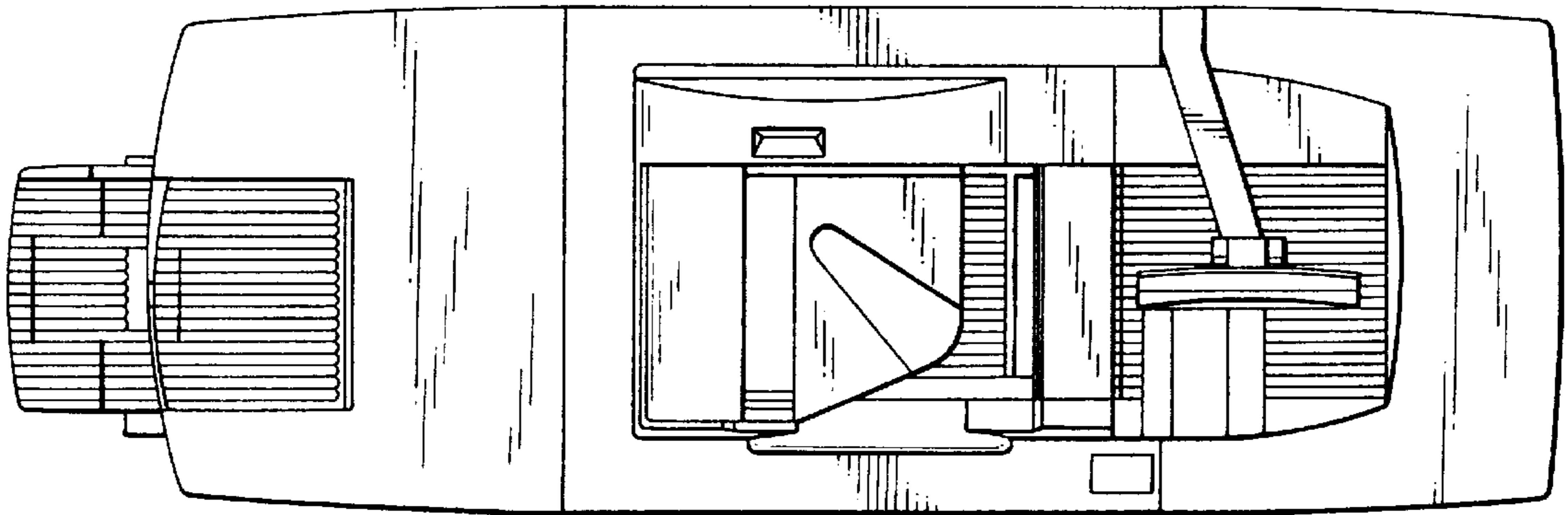


FIG. 5

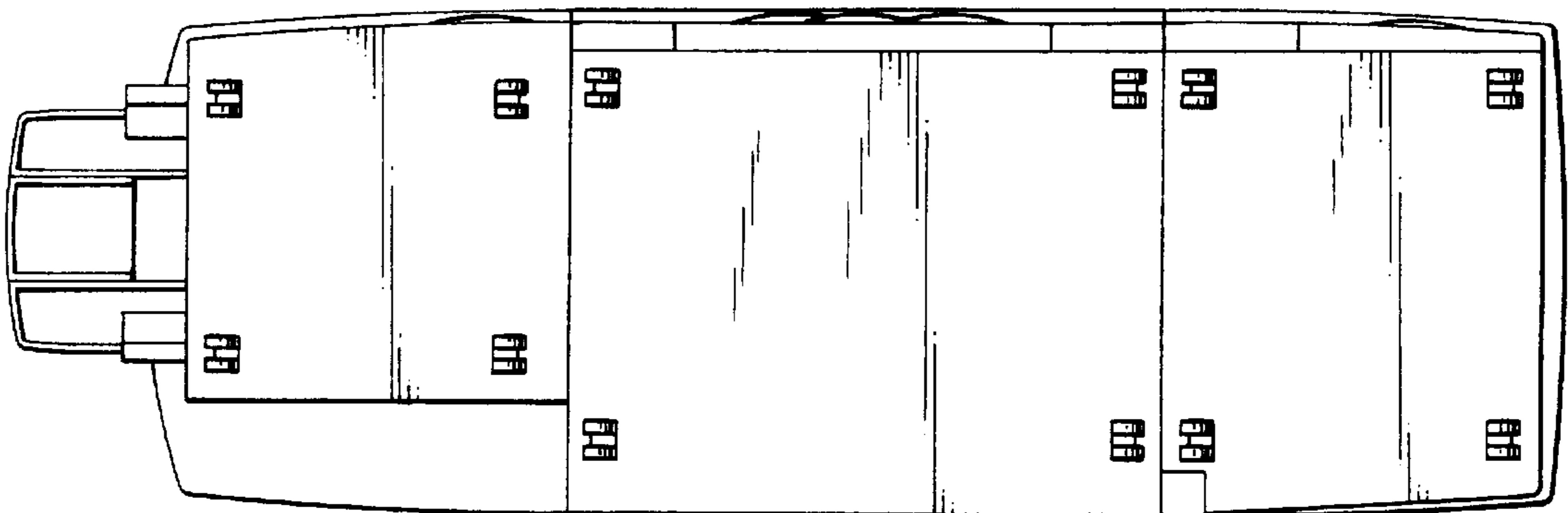


FIG. 6

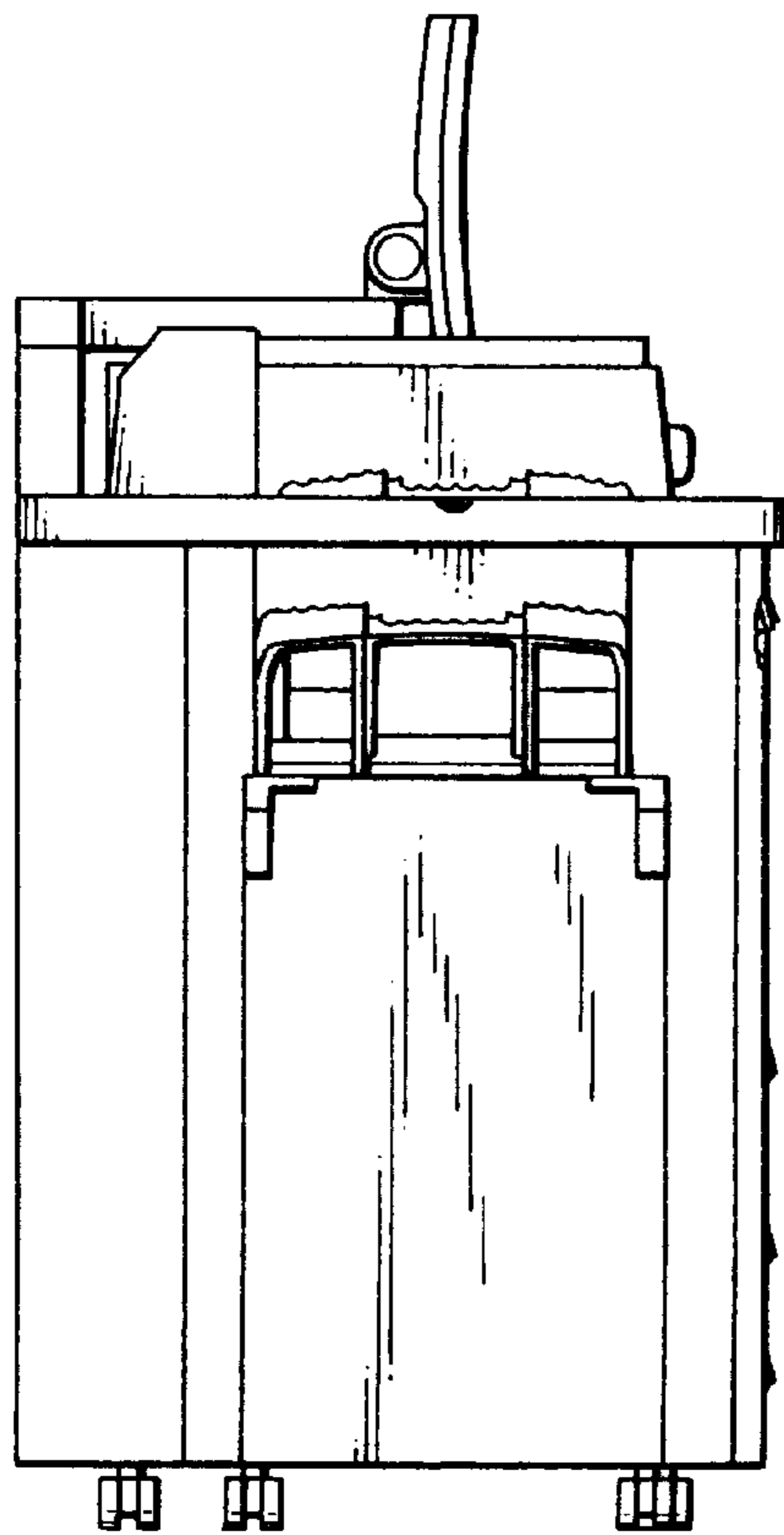


FIG. 7

