



US00D428903S

United States Patent [19]

[11] **Patent Number: Des. 428,903**

Kerr et al.

[45] **Date of Patent: ** Aug. 1, 2000**

[54] **DISPENSER**

5,709,317 1/1998 Bertram et al. 222/251

[75] Inventors: **Peter Kerr; Bianto Santoso**, both of Turrella, Australia

Primary Examiner—Antoine Duval Davis

[73] Assignee: **Macnaught Pty Limited**, Turrella, Australia

[57] **CLAIM**

The ornamental design of a dispenser substantially, as shown and described.

[**] Term: **14 Years**

DESCRIPTION

[21] Appl. No.: **29/108,835**

FIG. 1 is a right, front perspective view of a dispenser incorporating our design with the dispenser handle being shown in its open position;

[22] Filed: **Aug. 4, 1999**

FIG. 2 is a right, rear perspective view thereof;

[30] **Foreign Application Priority Data**

Apr. 28, 1999 [AU] Australia 1316/99

FIG. 3 is a right side elevational view thereof, the left side being a mirror-image of the right side;

[51] **LOC (7) Cl.** **15-09**

[52] **U.S. Cl.** **D15/150**

FIG. 4 is a front elevational view thereof;

[58] **Field of Search** D15/150, 151,

D15/152; 222/251, 255, 323, 324, 386, 387-393, 397

FIG. 5 is a rear elevational view thereof;

FIG. 6 is a top plan view thereof;

FIG. 7 is a bottom plan view thereof; and,

FIG. 8 is a view similar to FIG. 1 with the dispenser handle being shown in its closed position.

[56] **References Cited**

U.S. PATENT DOCUMENTS

D. 321,309 11/1991 Myers D15/150

1 Claim, 8 Drawing Sheets

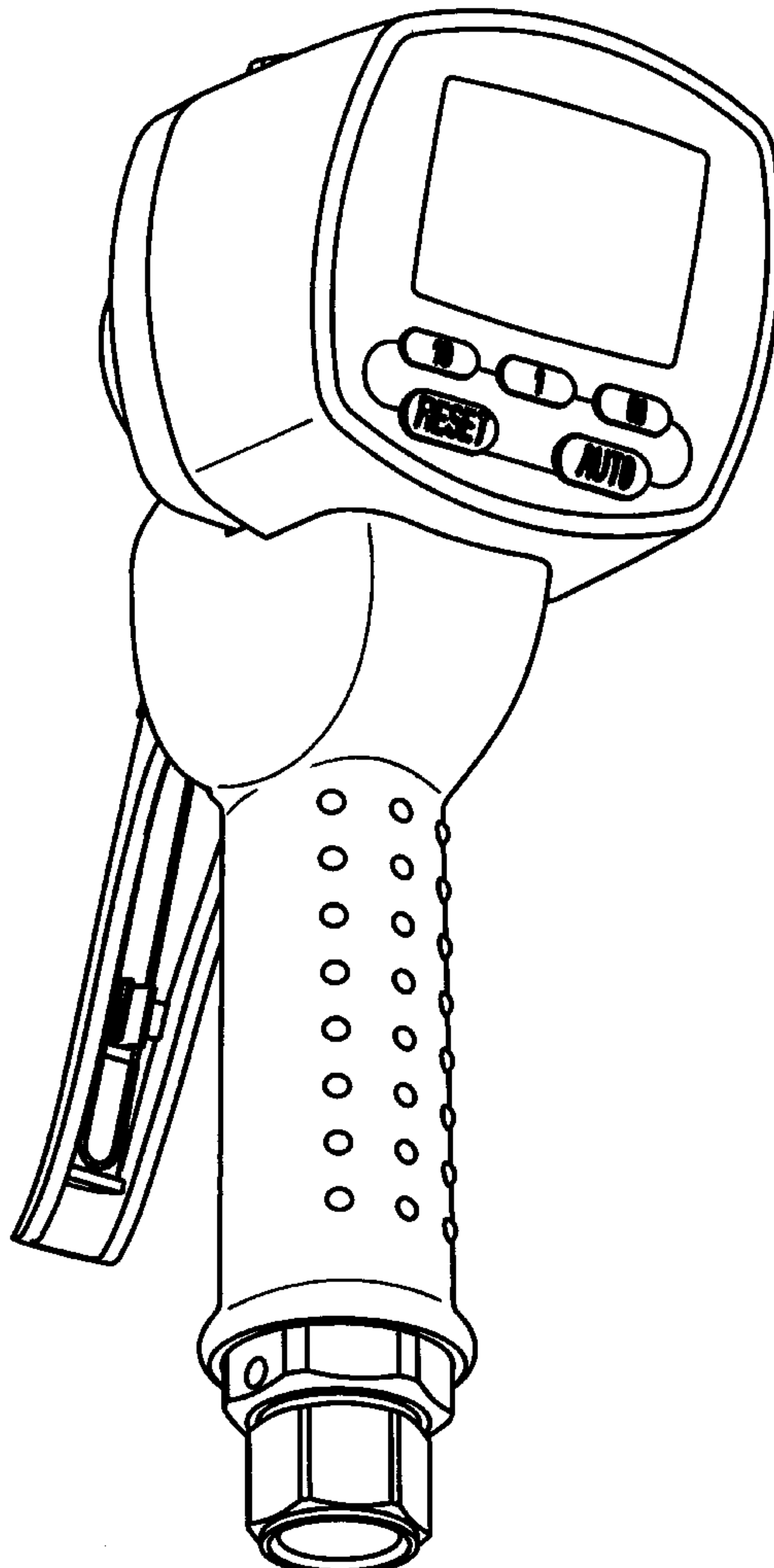
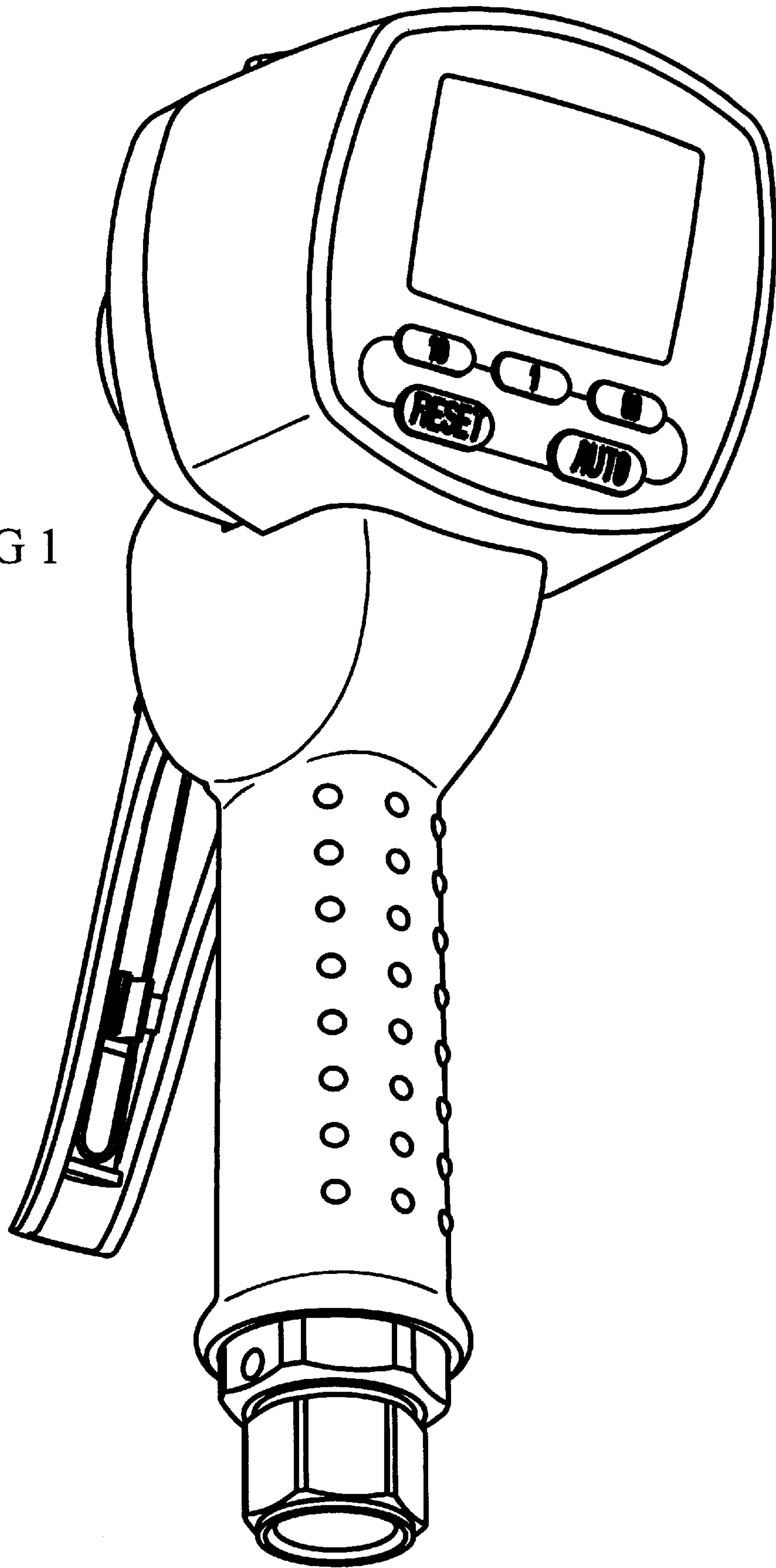


FIG 1



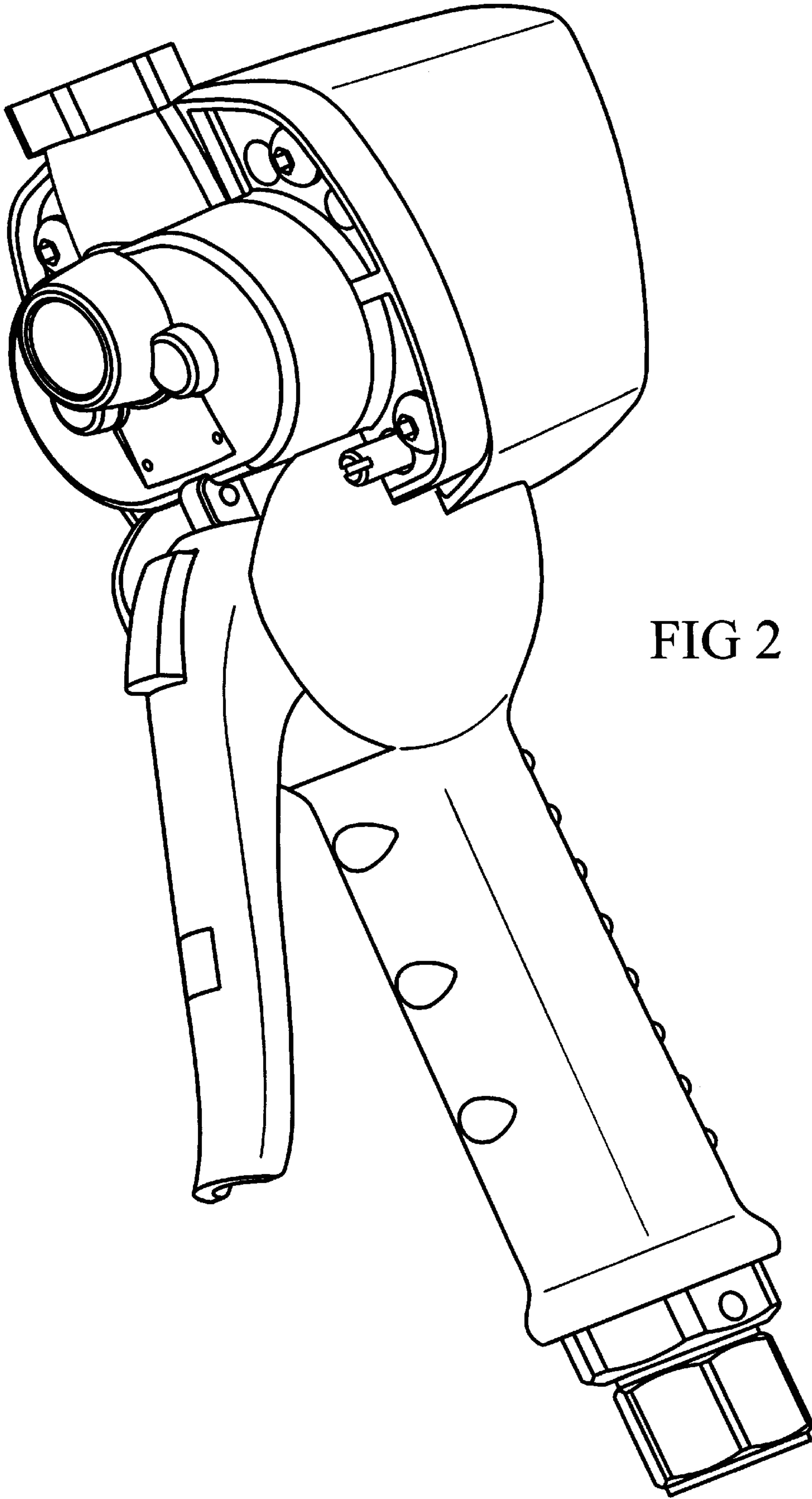
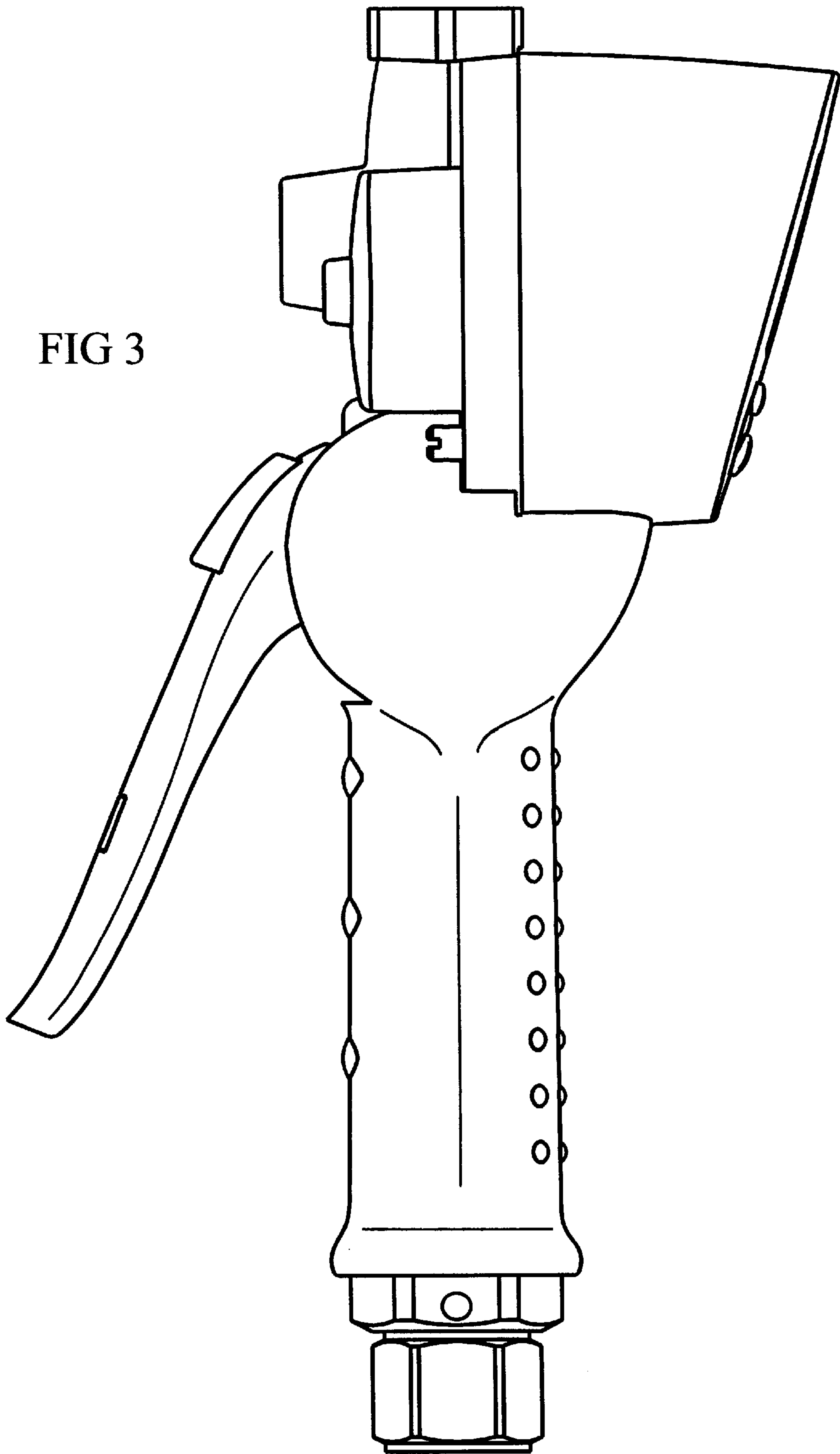


FIG 2

FIG 3



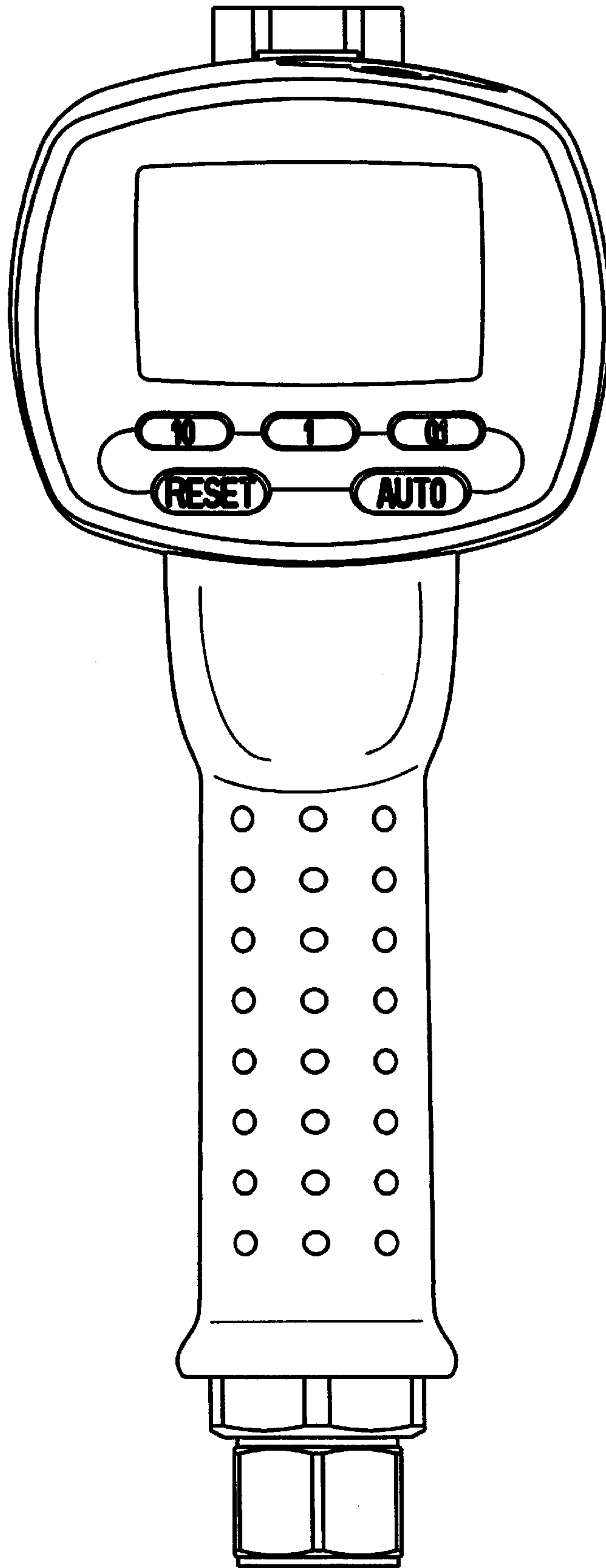


FIG 4

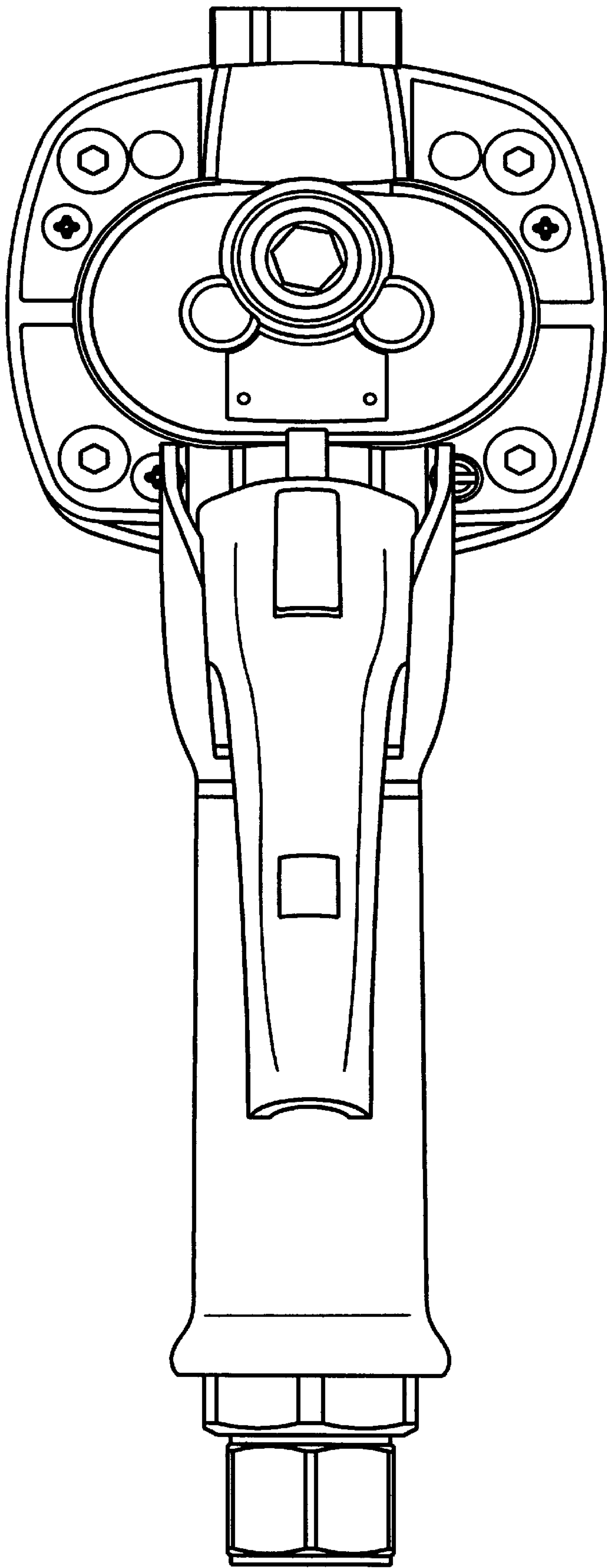


FIG 5

FIG 6

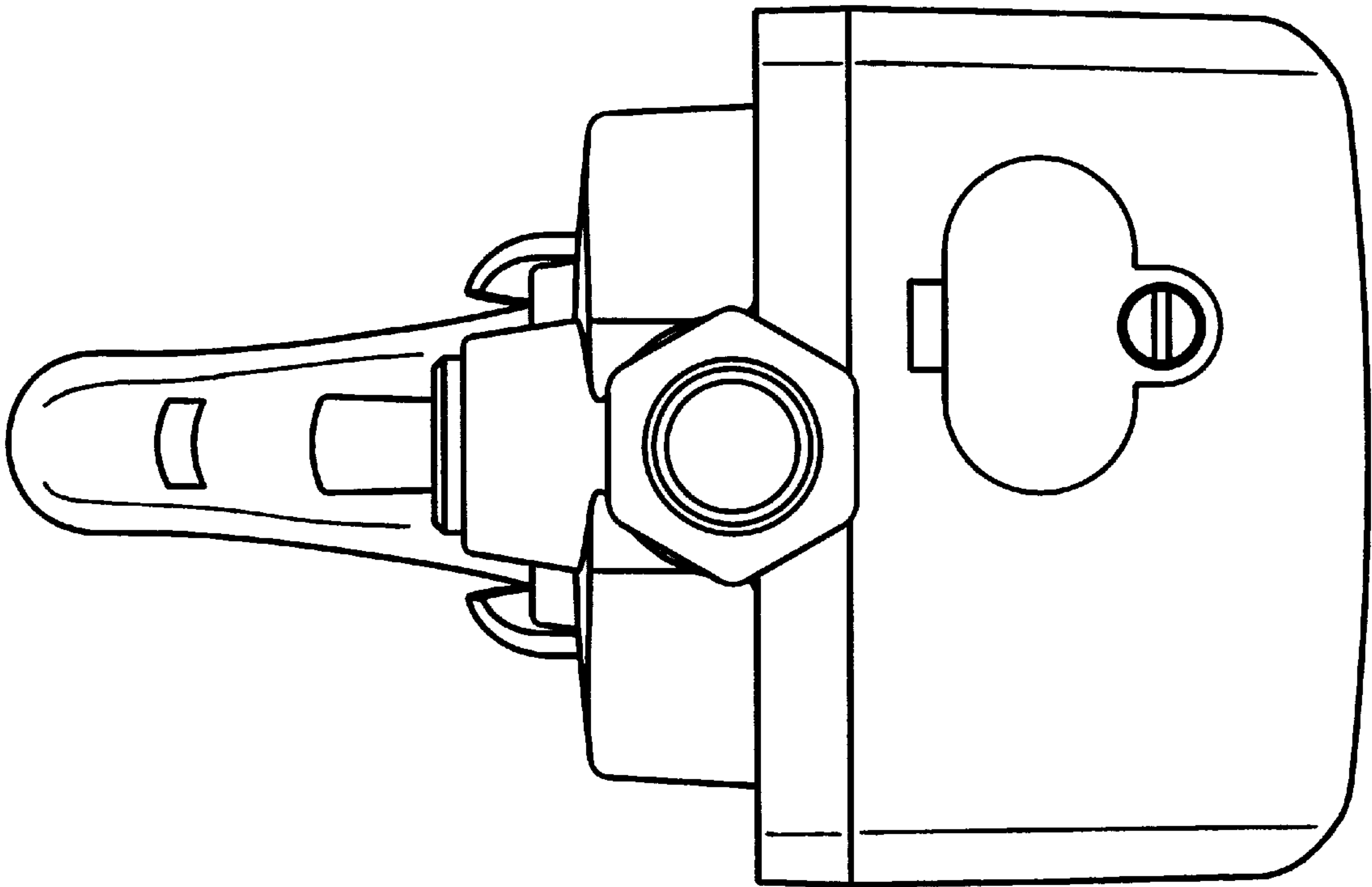


FIG 7

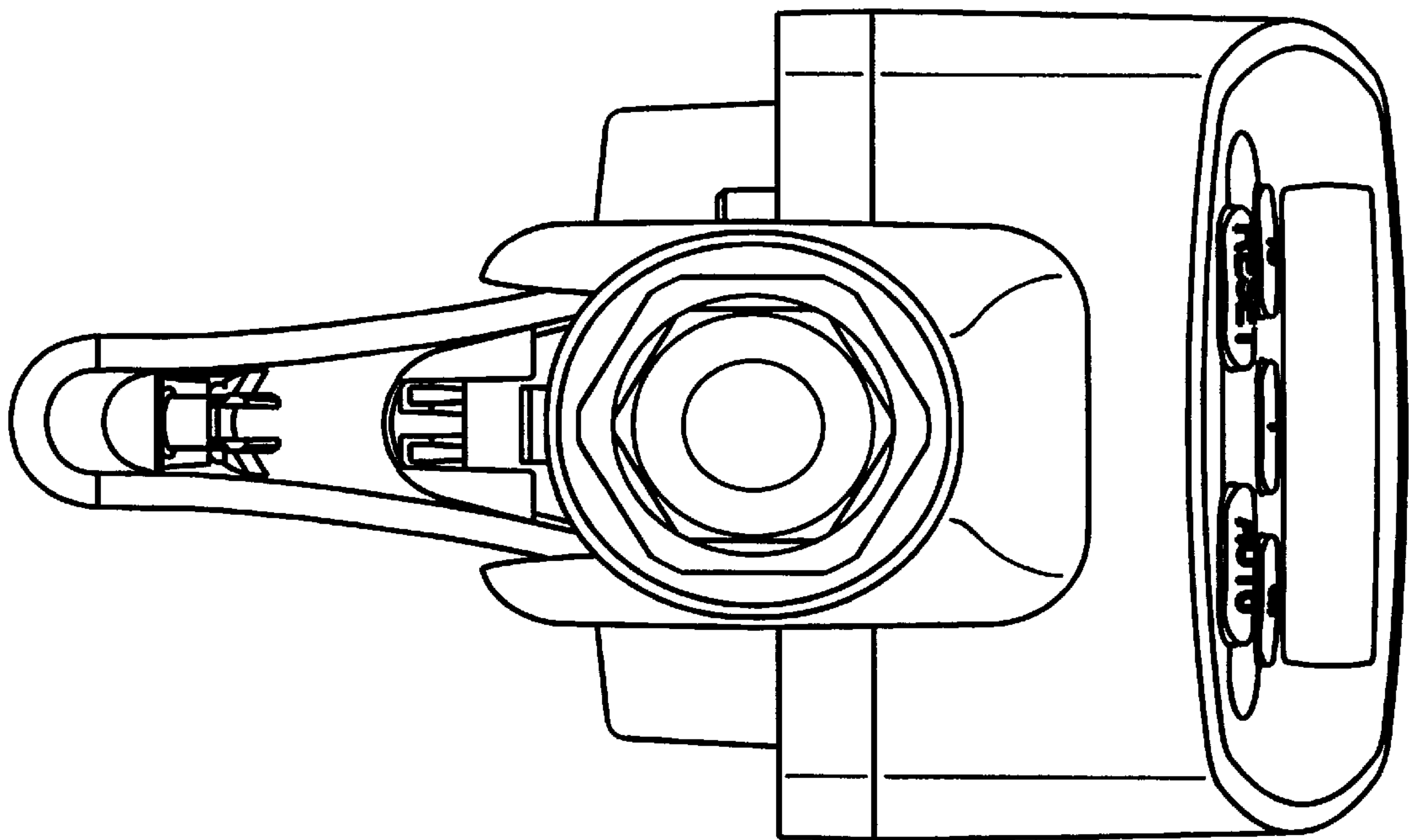


FIG. 8

