



US00D428902S

United States Patent [19] Smoluch

[11] **Patent Number: Des. 428,902**

[45] **Date of Patent: ** Aug. 1, 2000**

[54] **APRON FOR A PISTON MACHINE**

2,898,110 8/1959 Overbaugh 248/174

[76] Inventor: **John Smoluch**, 1951 Bough Beeches Blvd., Mississauga, Ontario, Canada, L4W 2J8

Primary Examiner—Antoine Duval Davis

[**] Term: **14 Years**

[57] CLAIM

[21] Appl. No.: **29/103,427**

The ornamental design for a apron for a piston machine, as shown and described.

[22] Filed: **Apr. 14, 1999**

DESCRIPTION

[30] Foreign Application Priority Data

Oct. 30, 1998 [CA] Canada 1998-2665

FIG. 1 is a perspective view of the apron for a piston machine;

[51] **LOC (7) Cl.** **15-09**

FIG. 2 is a top plan view;

[52] **U.S. Cl.** **D15/140; D8/16**

FIG. 3 is a side elevational view thereof;

[58] **Field of Search** D15/122, 199, D15/140; D8/16, 19; 248/174, 300

FIG. 4 is a bottom plan view thereof; and,

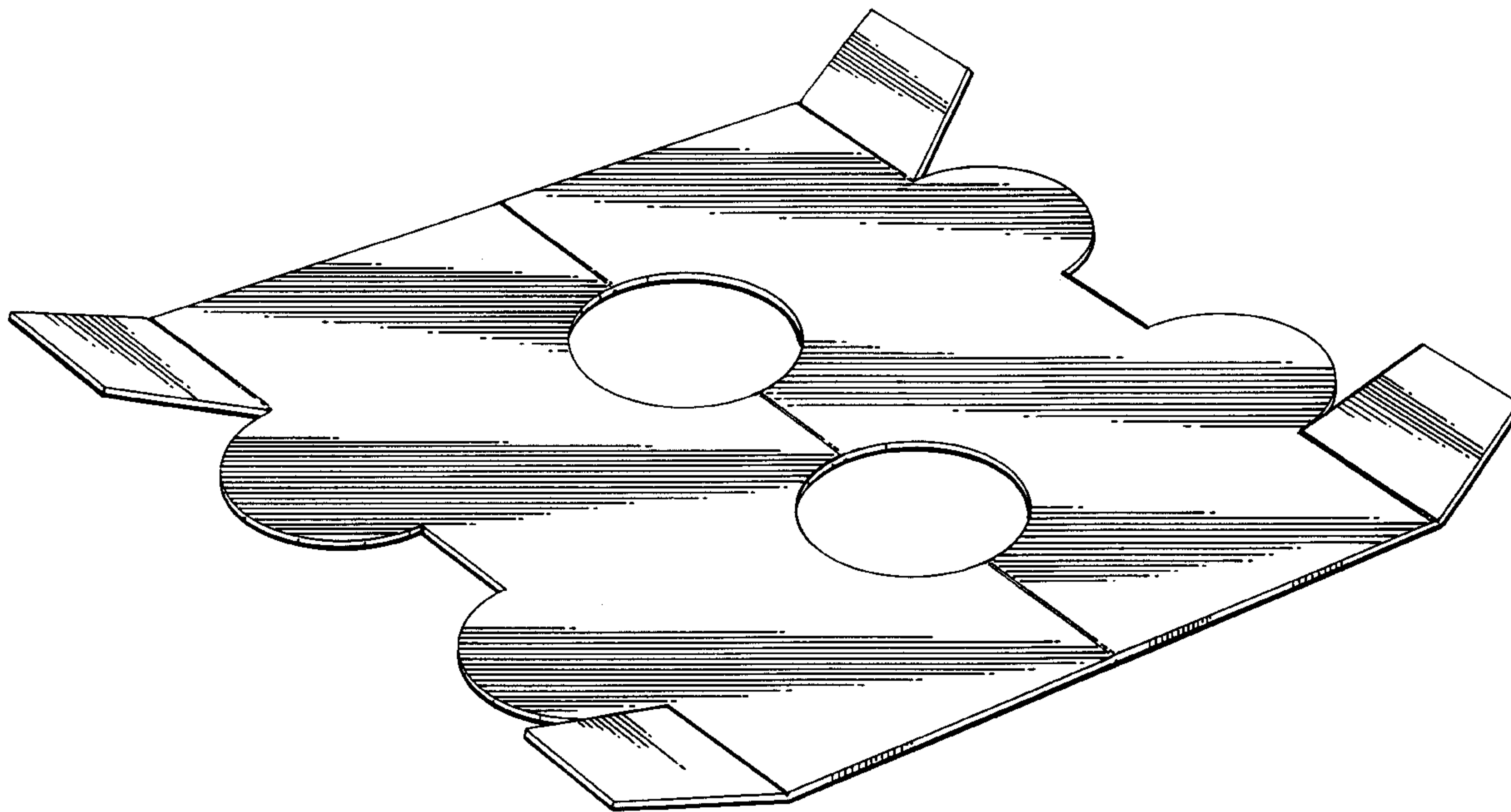
FIG. 5 is an end elevation view.

[56] References Cited

U.S. PATENT DOCUMENTS

D. 375,985 11/1996 Dailey et al. D8/16

1 Claim, 3 Drawing Sheets



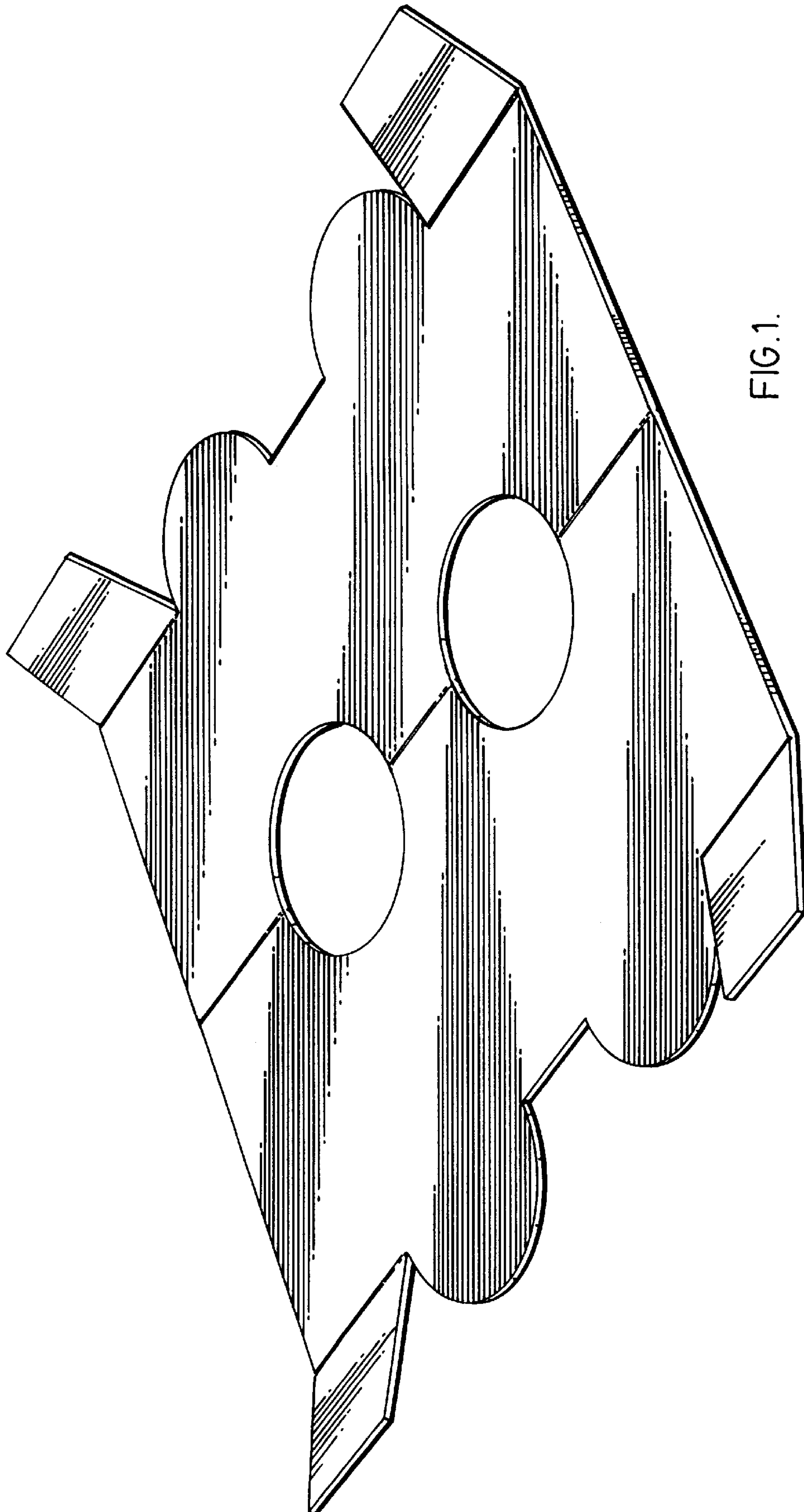


FIG.1.

FIG. 2.

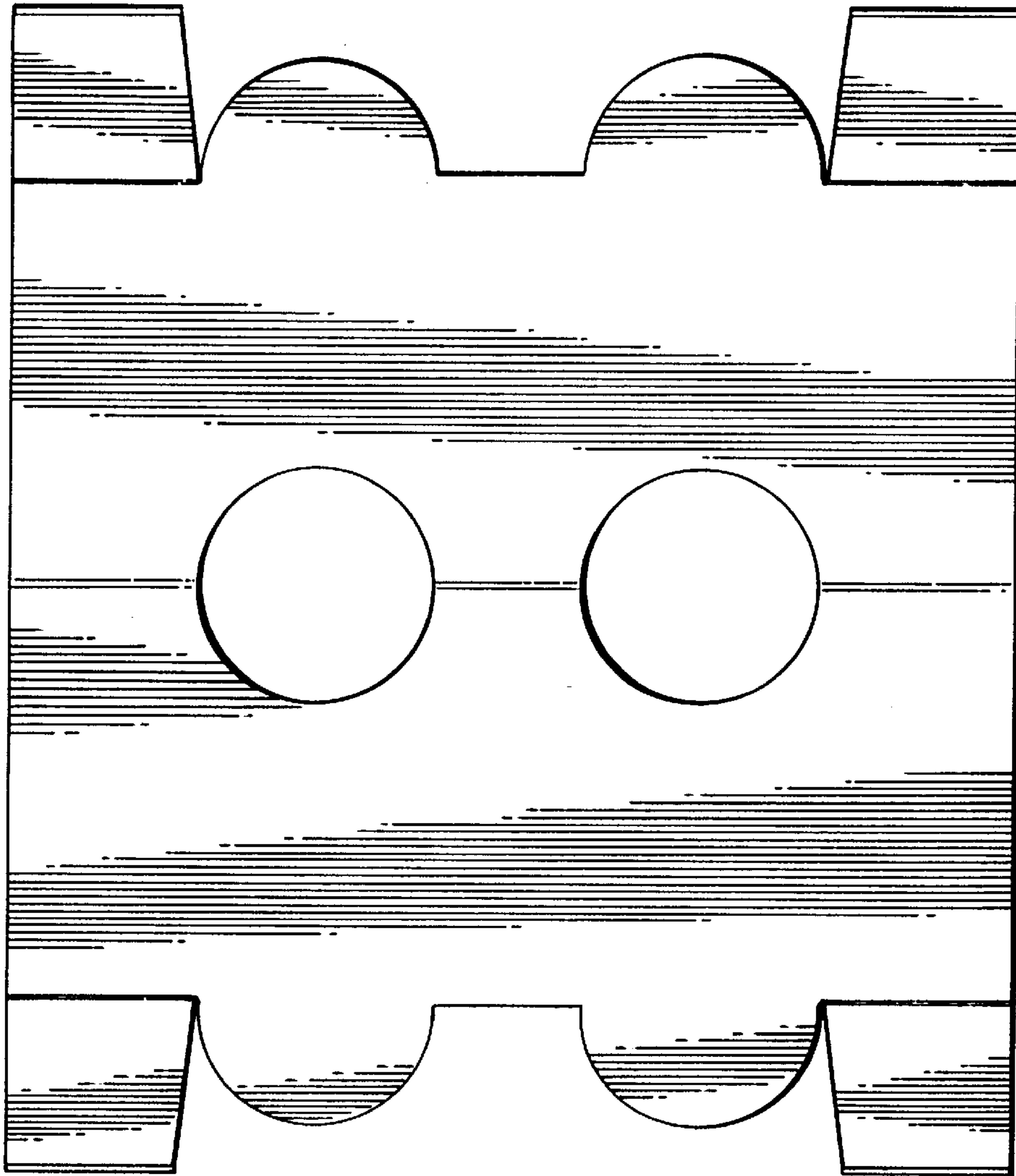


FIG. 3.



FIG. 4.

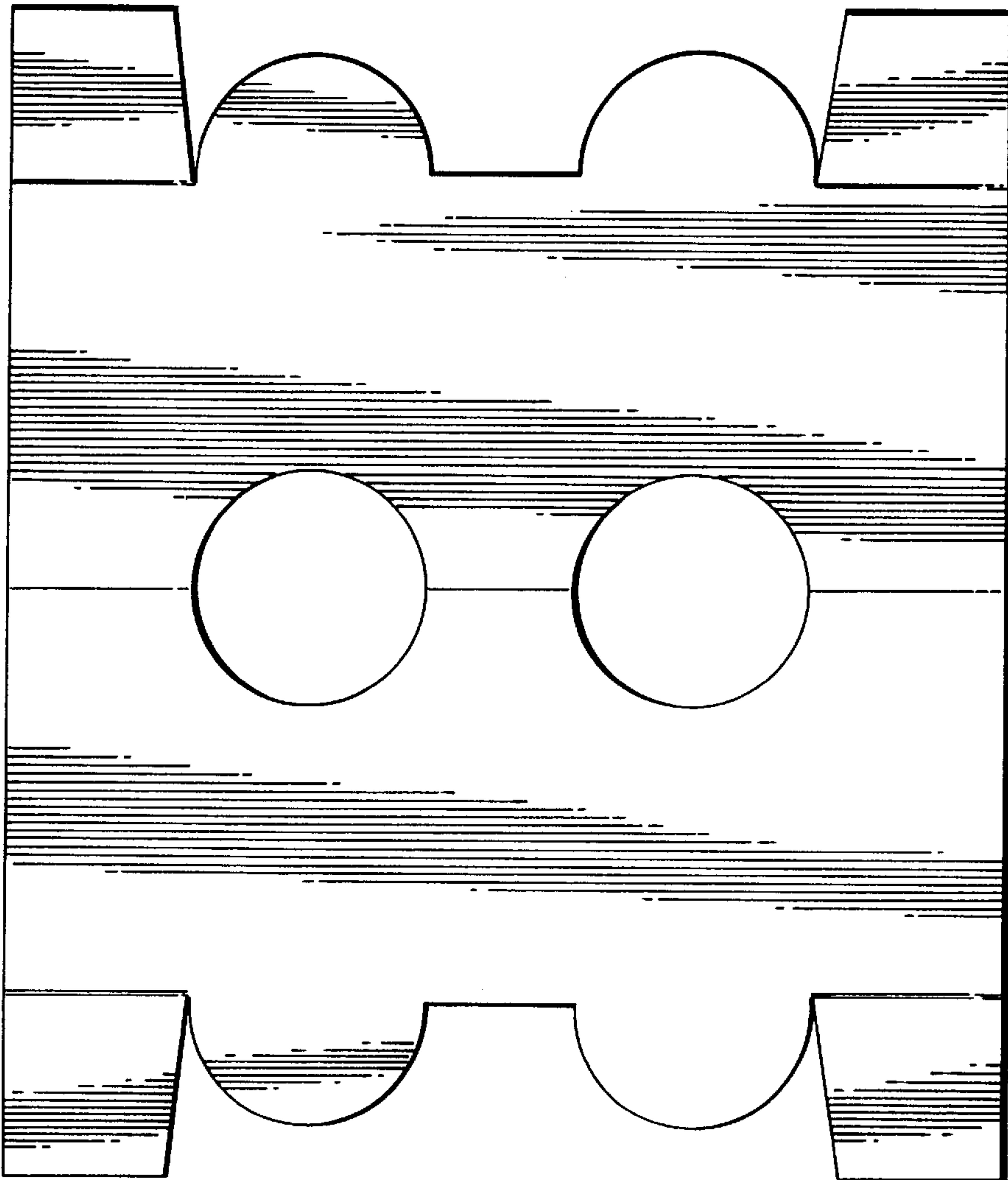


FIG. 5.

