



US00D428901S

United States Patent [19]

Taylor, Jr. et al.

[11] Patent Number: **Des. 428,901**

[45] Date of Patent: **** Aug. 1, 2000**

[54] **VACUUM FORMER**

[75] Inventors: **Theodore M. Taylor, Jr.; Eugen Dinu,**
both of Cherry Hill, N.J.

[73] Assignee: **Mycone Dental Supply Co., Inc.,**
Cherry Hill, N.J.

[**] Term: **14 Years**

[21] Appl. No.: **29/113,526**

[22] Filed: **Nov. 8, 1999**

[51] **LOC (7) Cl.** **15-09**

[52] **U.S. Cl.** **D15/135**

[58] **Field of Search** D15/135, 136,
D15/137; 425/388, DIG. 48, DIG. 60

[56] **References Cited**

U.S. PATENT DOCUMENTS

D. 343,627	1/1994	Ralo	D15/135
4,944,901	7/1990	Kwok	425/388
5,540,576	7/1996	Kwakita et al.	425/DIG. 60
5,829,980	11/1998	Sheridan et al.	425/388
5,855,931	1/1994	Lieb et al.	425/DIG. 60

OTHER PUBLICATIONS

Buffalo Dental MFG. Co.—Accu-Vac Precision Vacuum Former Scheu-Dental—Biostar Pressure Moulding Machine, Sep. 1997.

Scheu-Dental—Ministar, Sep. 1997.

Dreve Dentamid GMBH—The Druformat.

Erokodent, E. Kopp GMBH—Erkopress Es-200 E.

Erkodent, E. Kopp GMBH—Erkoform-Rve.

Primary Examiner—Antoine Duval Davis

Attorney, Agent, or Firm—Norman E. Lehrer

[57] **CLAIM**

The ornamental design for a “vacuum former,” as shown and described.

DESCRIPTION

FIG. 1 is a top right side perspective view of a “vacuum former” showing our new design;

FIG. 2 is a bottom left side perspective view thereof;

FIG. 3 is a rear elevational view thereof; and,

FIG. 4 is a top right side perspective view thereof showing various component parts of the “vacuum former” in use.

1 Claim, 3 Drawing Sheets

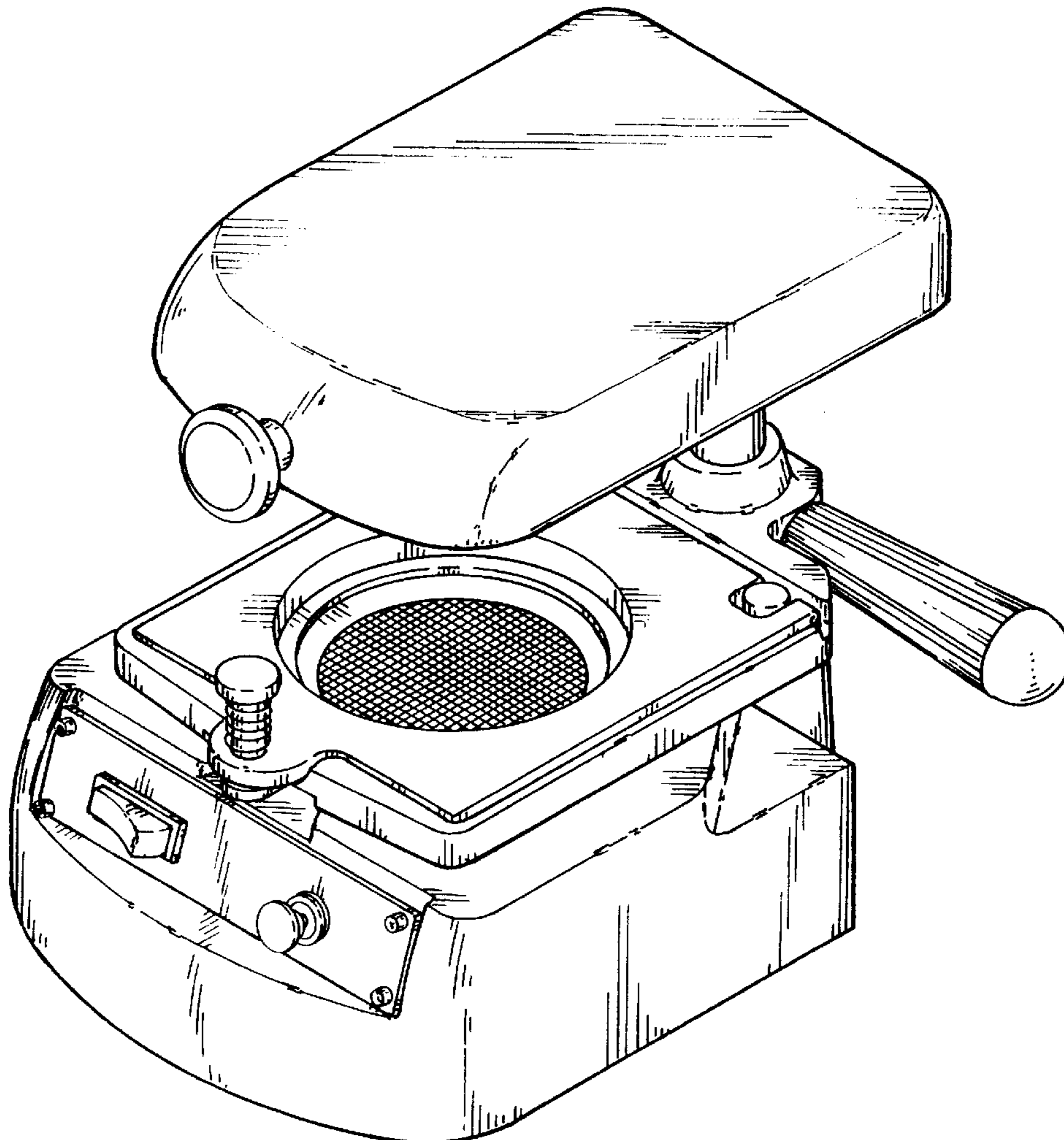


Fig. 1

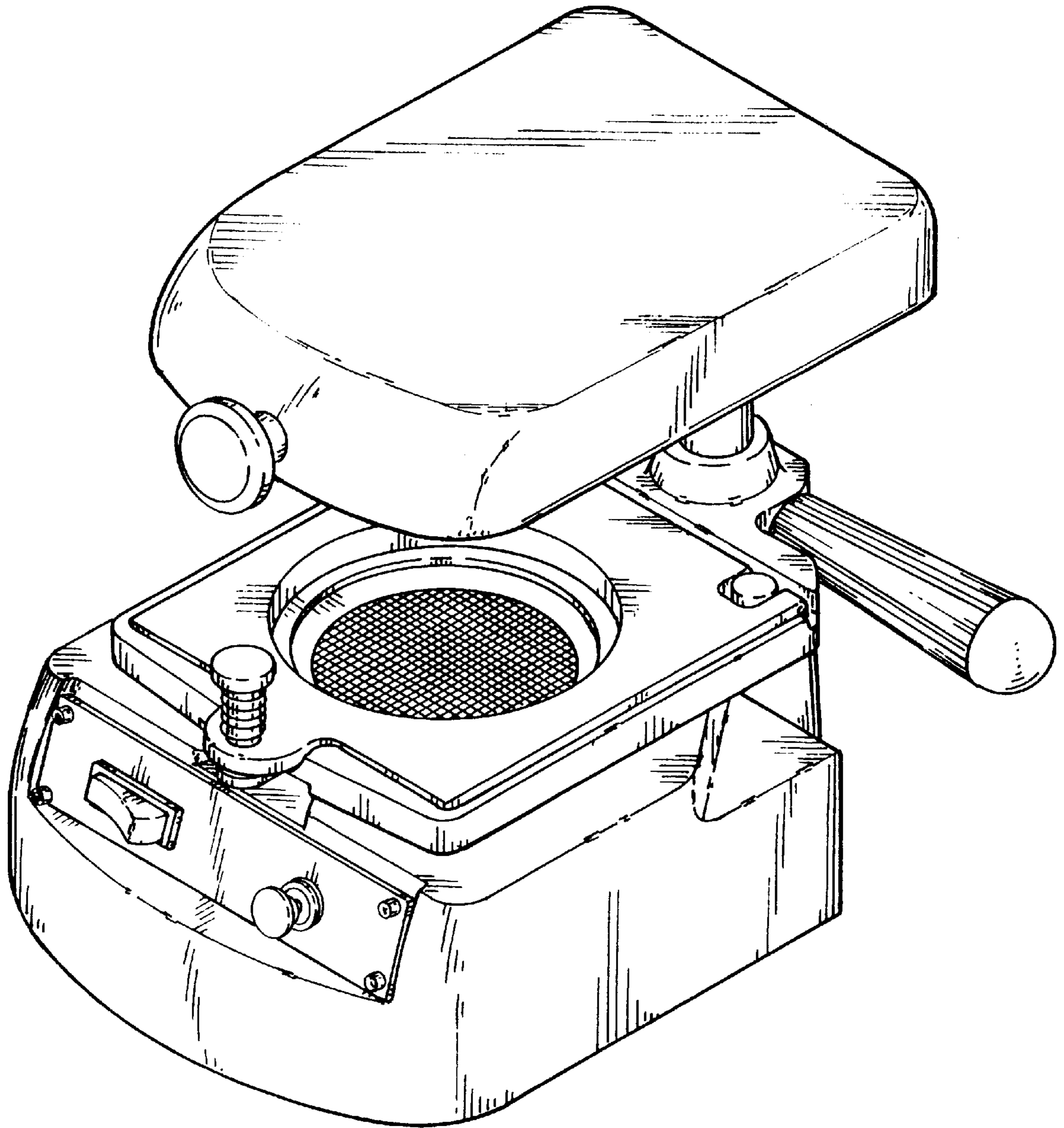


Fig. 2

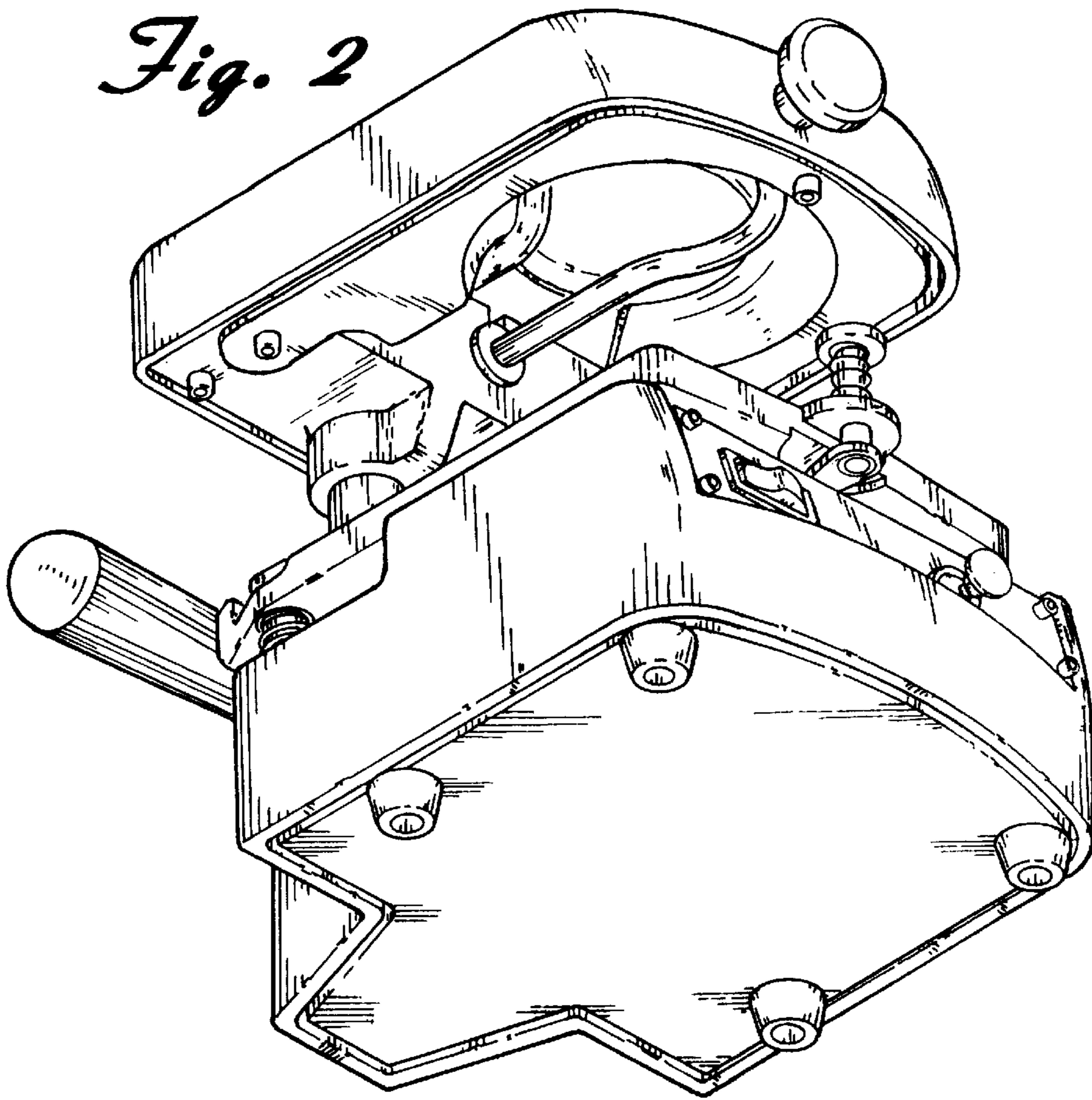


Fig. 3

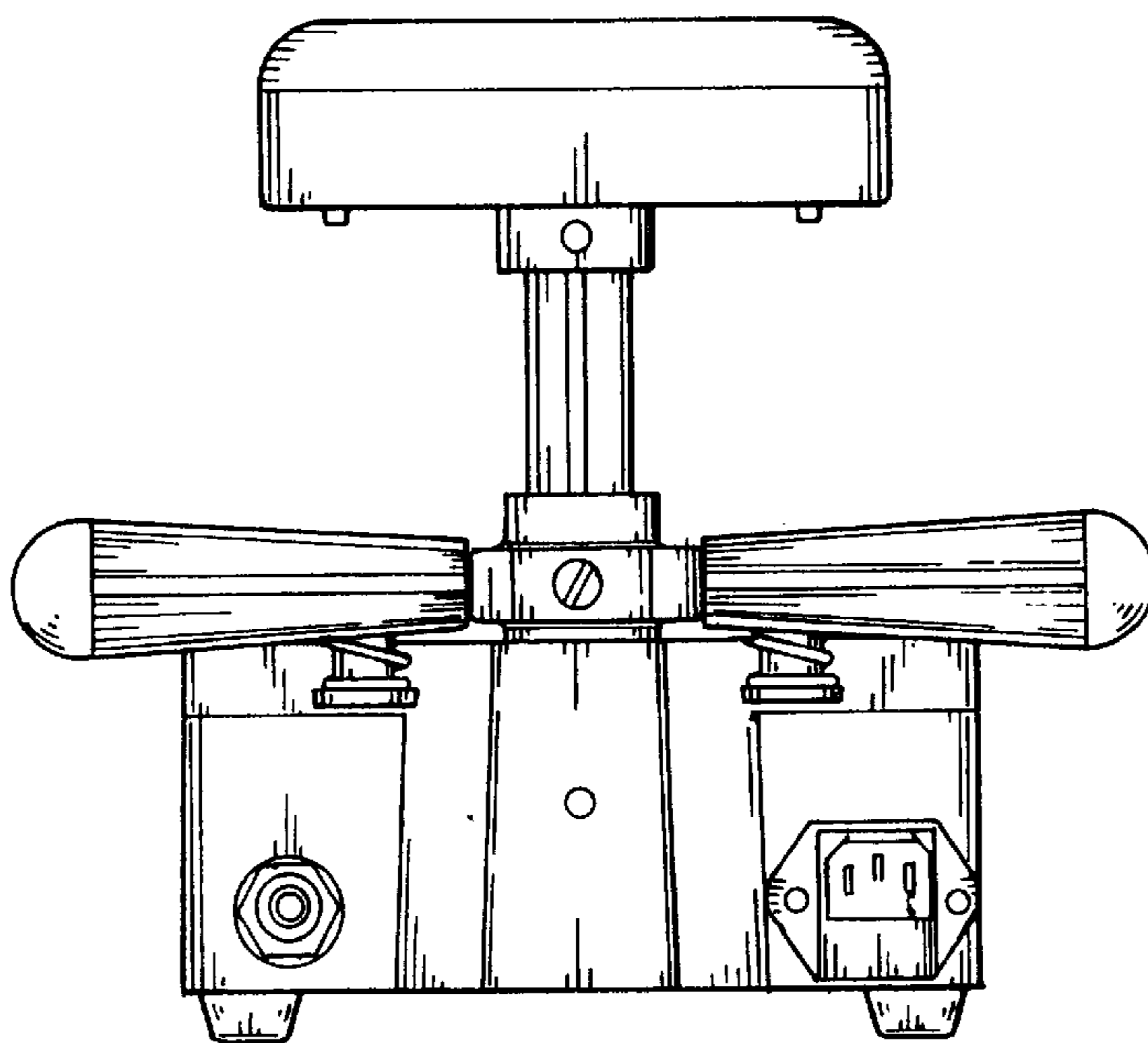


Fig. 4

