



US00D428899S

United States Patent [19]

[11] Patent Number: **Des. 428,899**

Brutscher et al.

[45] Date of Patent: **** Aug. 1, 2000**

[54] **COMBINED MITER FENCE AND BOX JOINT FIXTURE**

[75] Inventors: **David T. Brutscher**, Louisville; **L. R. Leet, Sr.**, Shelbyville; **Gregory A. Phillips**, LaGrange; **John P. Spiegelhalter**, Prospect, all of Ky.

[73] Assignee: **Vermont American Corporation**, Louisville, Ky.

[**] Term: **14 Years**

[21] Appl. No.: **29/088,918**

[22] Filed: **Jun. 3, 1998**

[51] **LOC (7) Cl.** **15-09**

[52] **U.S. Cl.** **D15/133**

[58] **Field of Search** D15/127, 133, D15/134; D10/65; D8/71; 83/437.1, 441, 450, 473; 144/253.1; 30/375, 376; 33/471, 430

[56] **References Cited**

U.S. PATENT DOCUMENTS

D. 234,902	4/1975	Marsh	D15/133
D. 298,040	10/1988	Legler et al.	D15/133
D. 387,782	12/1997	Letendre	D15/133
D. 393,473	4/1998	Ramirez	D15/133
D. 404,404	1/1999	Lane et al.	D15/133
2,750,970	6/1956	Gaskell	143/168
2,787,301	4/1957	Anderson	143/169
2,884,965	5/1959	Stahl	143/174
3,083,744	4/1963	Vold	143/169
4,111,409	9/1978	Smith	269/304
4,256,000	3/1981	Seidel	83/468
4,259,887	4/1981	Dean	83/437
4,327,619	5/1982	McNamee, Jr.	83/471.3
5,038,486	8/1991	Ducate, Sr.	33/430
5,040,444	8/1991	Shiotani et al.	83/473

5,042,346	8/1991	McCann	83/421
5,090,283	2/1992	Noble	83/467
5,297,463	3/1994	O'Banion et al.	83/468.3
5,337,641	8/1994	Duginske	83/468
5,735,054	4/1998	Cole	33/471

Primary Examiner—Philip S. Hyder
Attorney, Agent, or Firm—McDermott, Will & Emery

[57] **CLAIM**

The ornamental design for a combined miter fence and box joint fixture, as shown and described.

DESCRIPTION

FIG. 1 is a perspective showing a first side of a combined miter fence and box joint fixture according to the present invention;

FIG. 2 is a perspective view showing the combined miter fence and box joint fixture according to the invention with one of the end caps removed;

FIG. 3 is another perspective view showing the combined miter fence and box joint fixture according to the invention as seen from a second side;

FIG. 4 is a perspective view similar to that shown in FIG. 3 depicting an end cap extended out from one end of the main body of the fence;

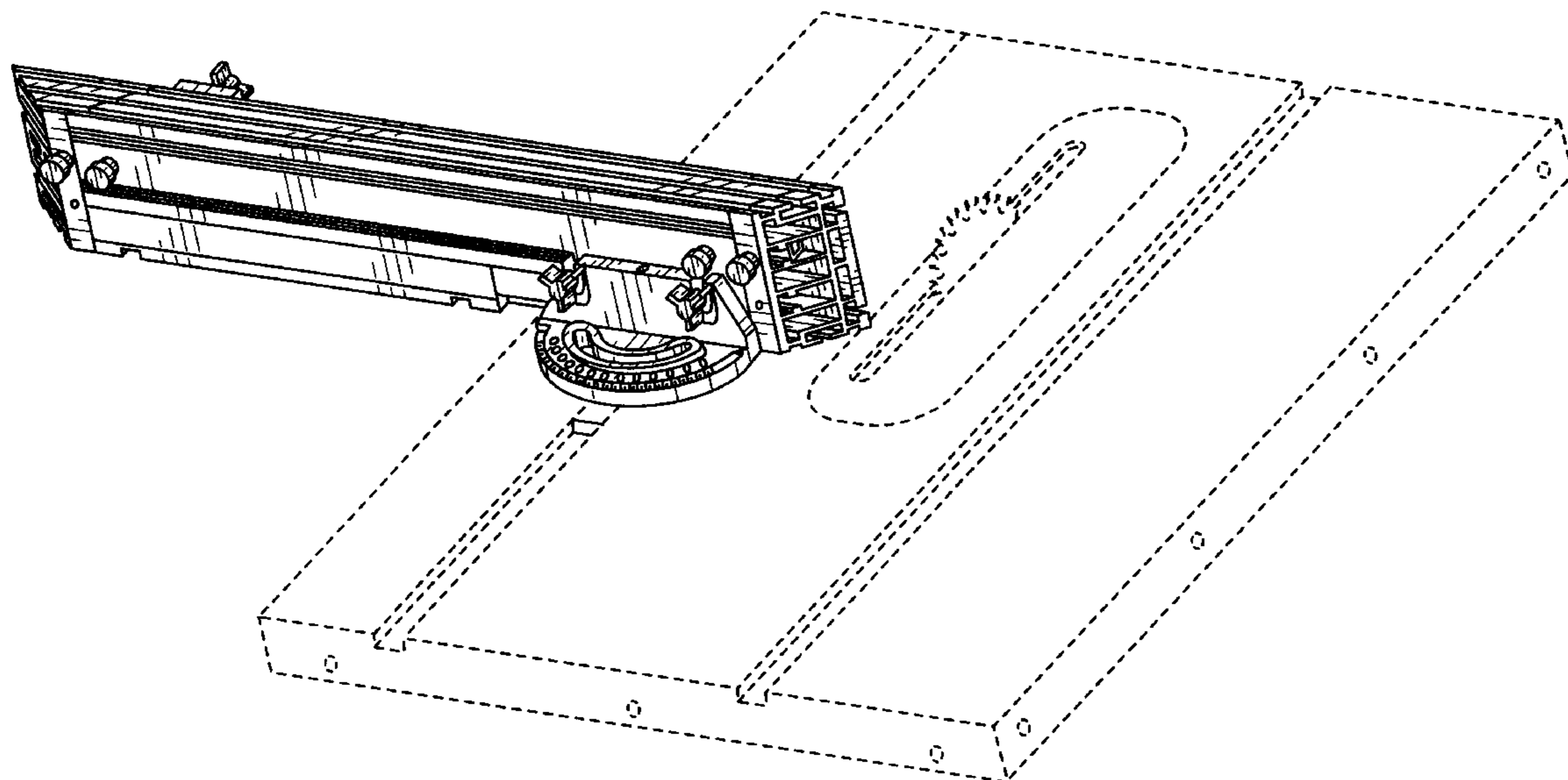
FIG. 5 is a perspective view of an alternate embodiment of the combined miter fence and box joint fixture, which includes a clamp; and,

FIG. 6 is a perspective view of the invention showing the aesthetic shape assumed when the combined miter fence and box joint fixture of FIG. 1, in its box joint fixture configuration.

The appearance of the bottom of combined miter fence and box joint fixture forms no part of the claimed design.

The broken line portions of the disclosure are for illustrative purposes only and form no part of the claimed design.

1 Claim, 6 Drawing Sheets



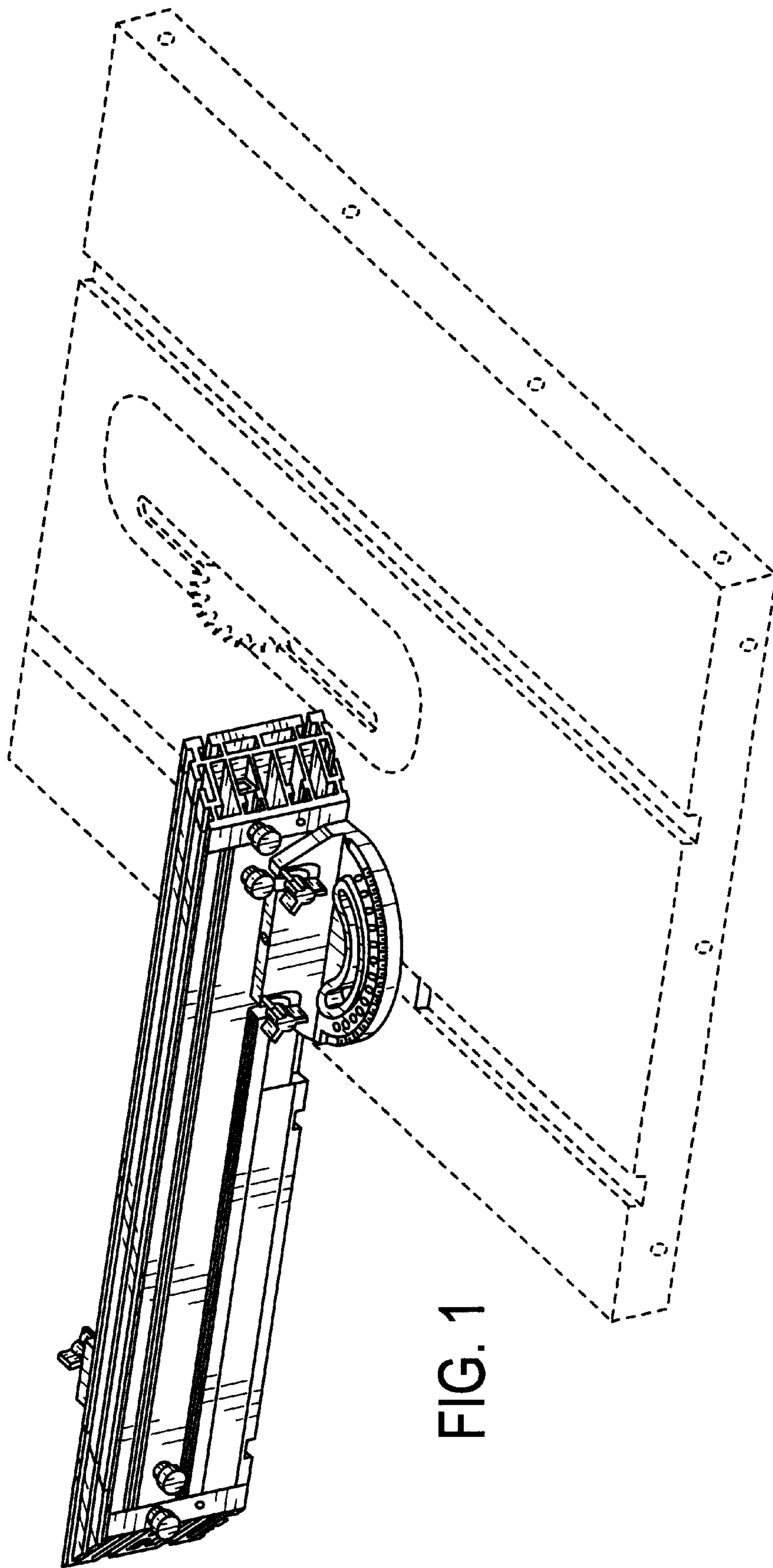


FIG. 1

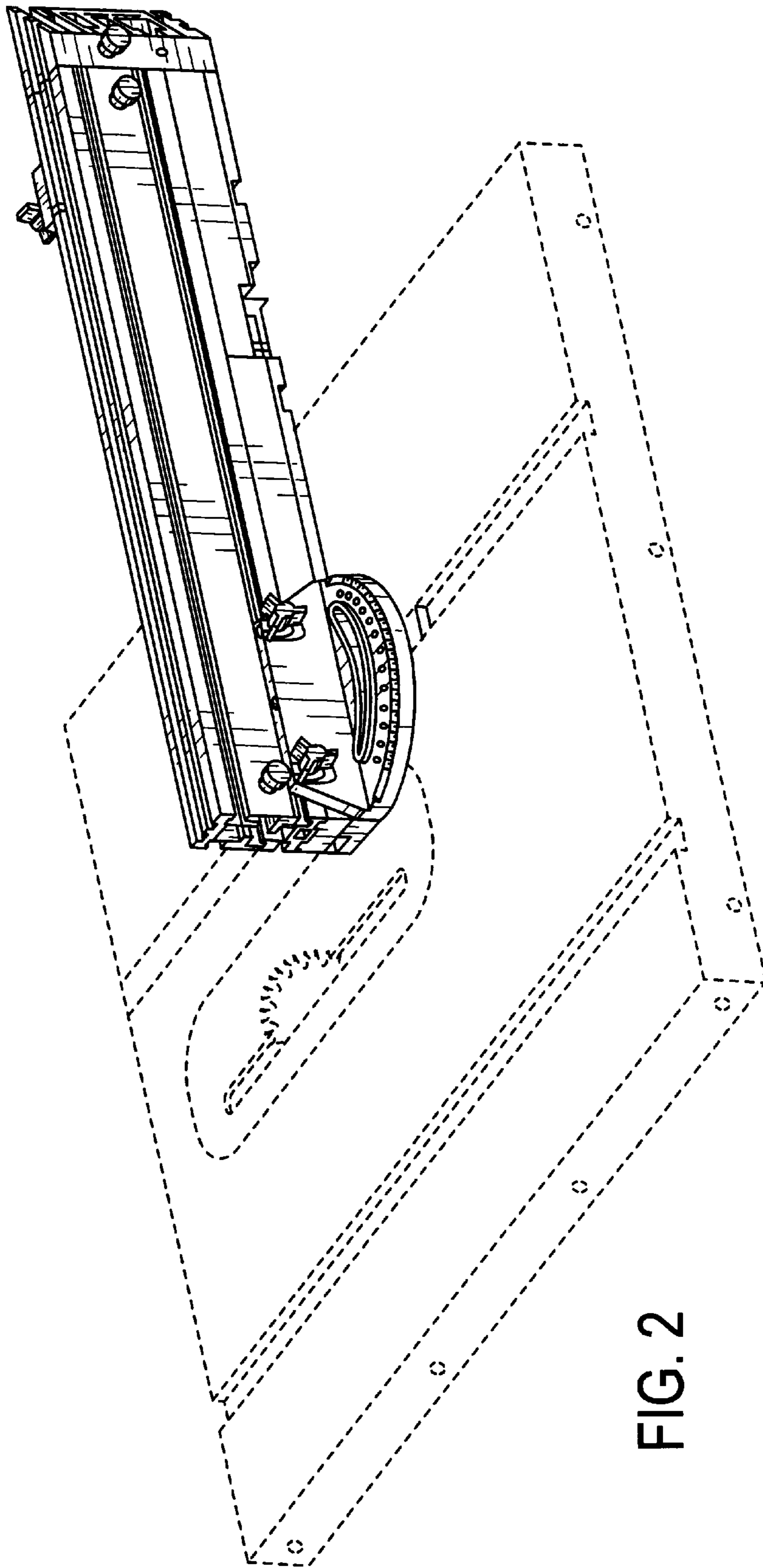


FIG. 2

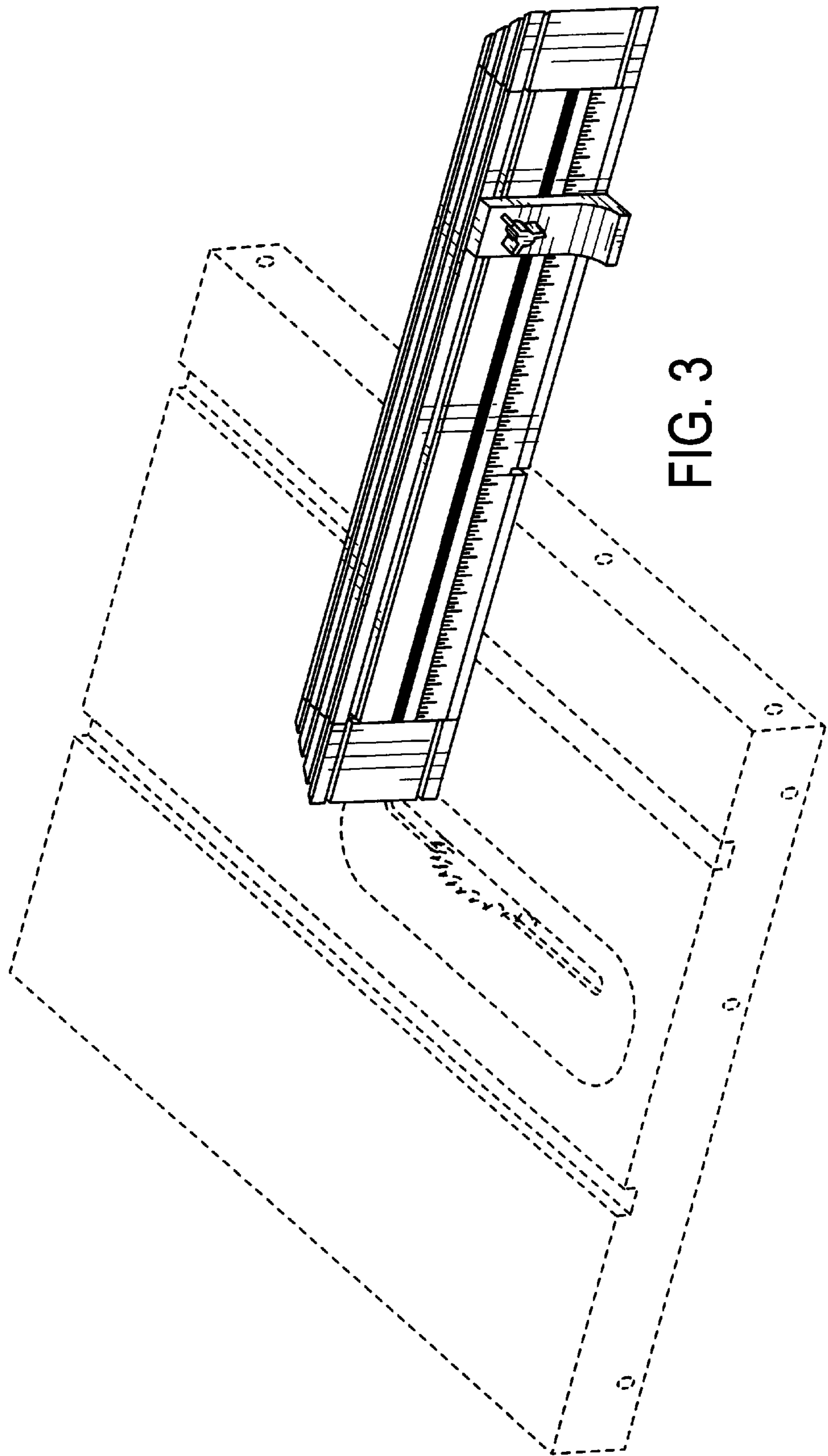


FIG. 3

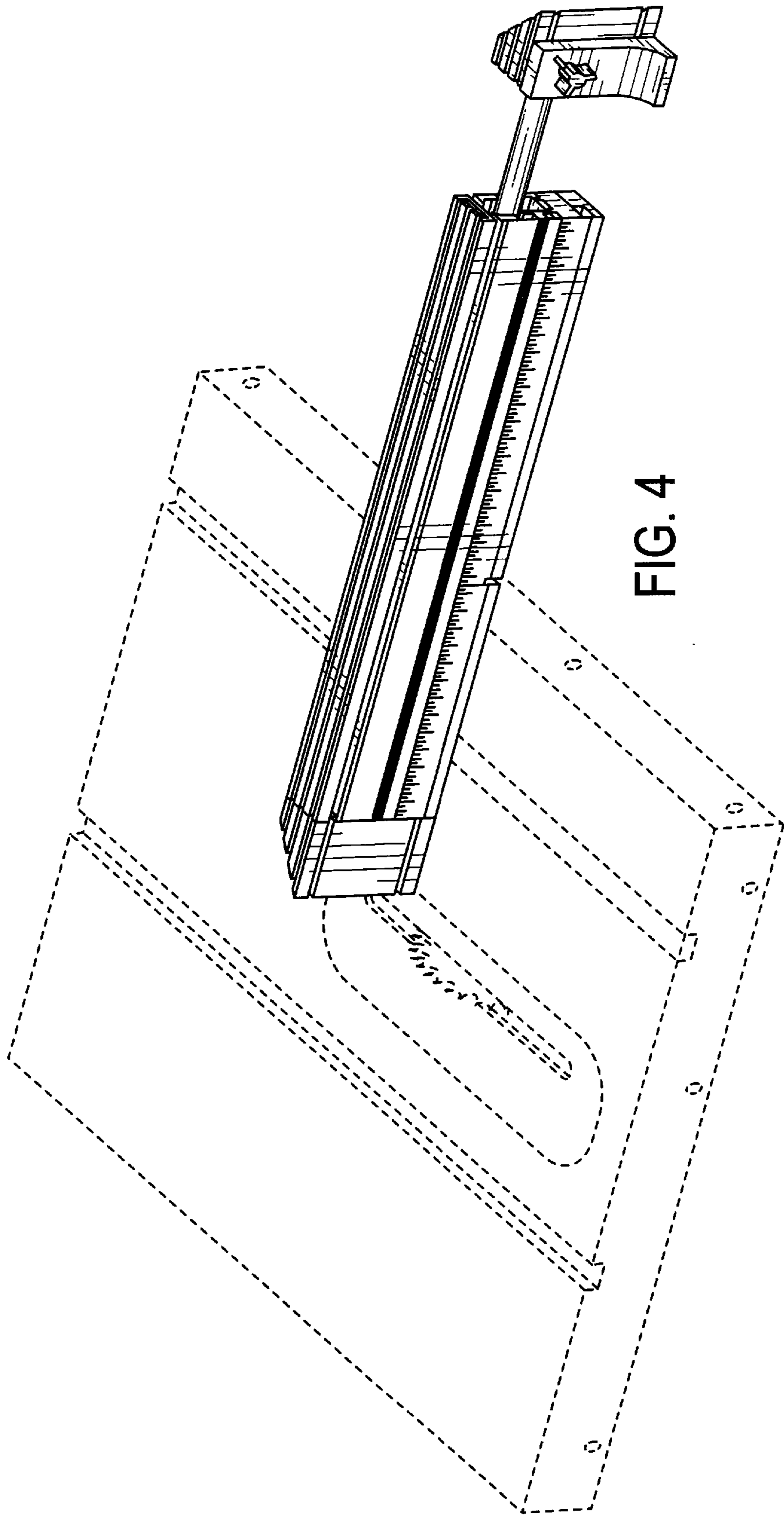


FIG. 4

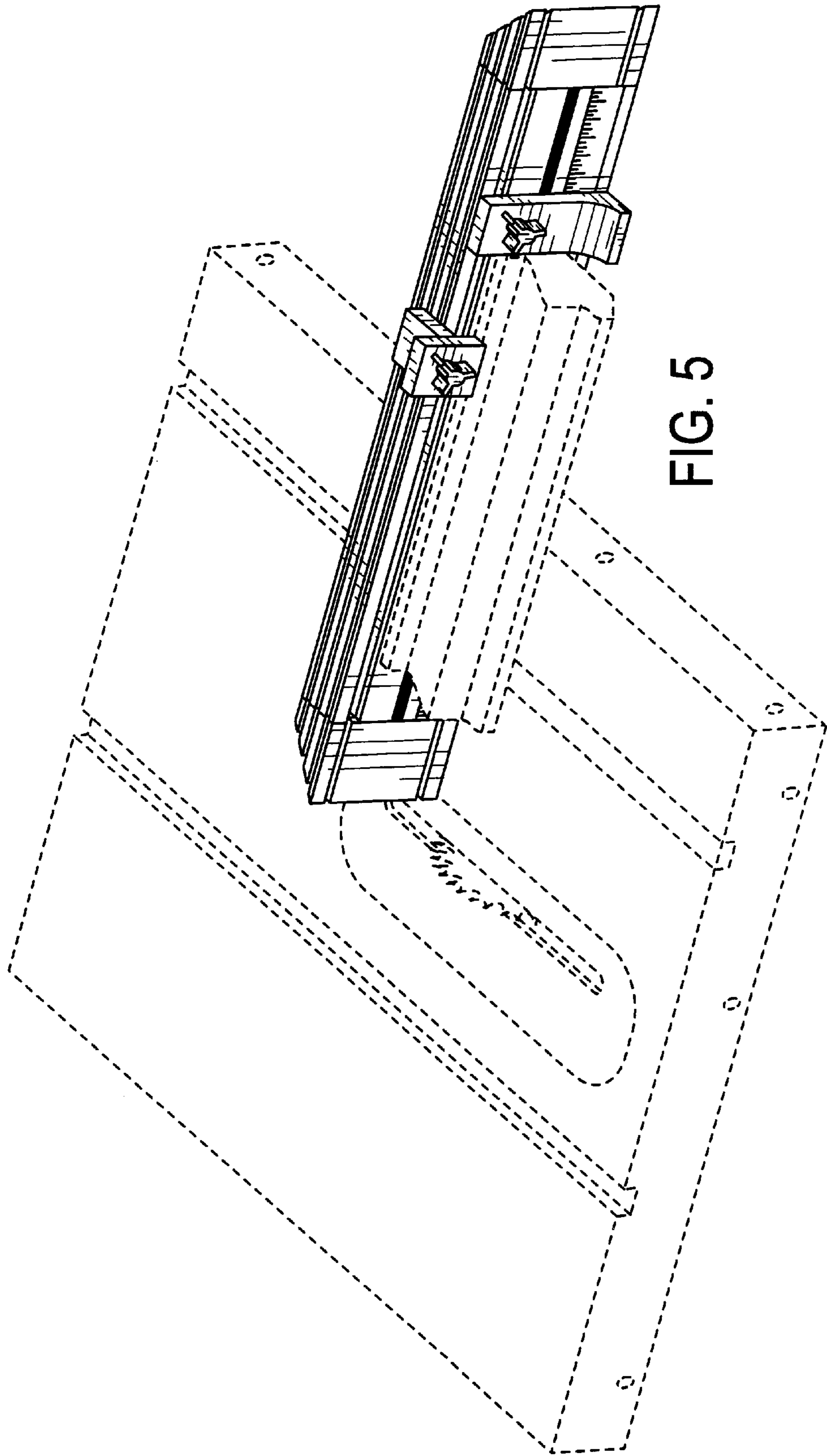


FIG. 5

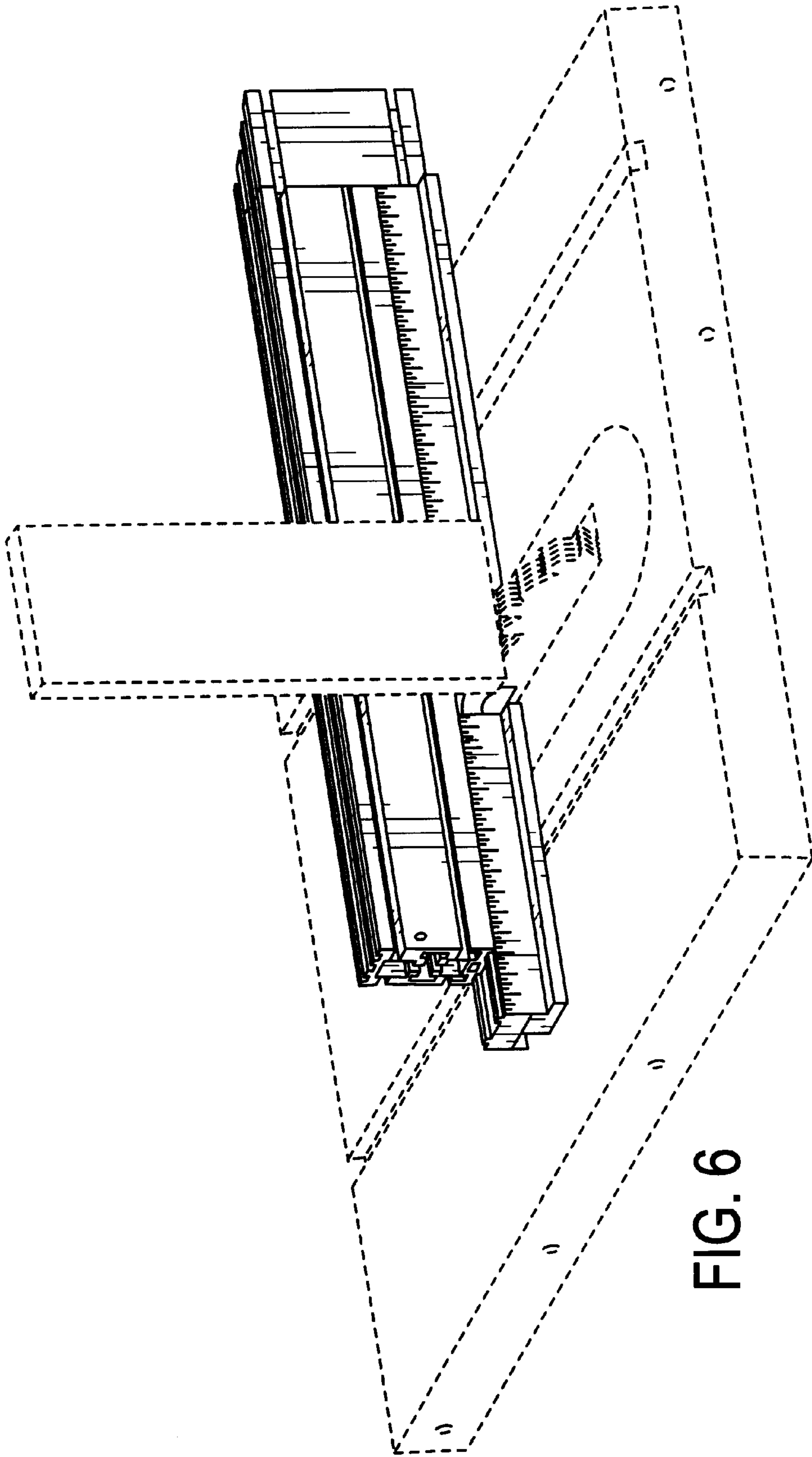


FIG. 6