



US00D428897S

United States Patent [19]

[11] **Patent Number: Des. 428,897**

Wilson et al.

[45] **Date of Patent: ** Aug. 1, 2000**

[54] **FUEL DISPENSER INTERFACE**

[75] Inventors: **Amy Wilson**, Greensboro; **Paul Miller**, Winston Salem, both of N.C.; **Cheryl Felix**, Bedford, Mass.

[73] Assignee: **Gilbarco Inc.**, Greensboro, N.C.

[**] Term: **14 Years**

[21] Appl. No.: **29/104,783**

[22] Filed: **May 12, 1999**

[51] **LOC (7) Cl.** **15-02**

[52] **U.S. Cl.** **D15/9.1**

[58] **Field of Search** D15/9.1, 9.2; 222/25, 222/27, 71, 74, 75, 383; 137/234.6; 364/528.17; D25/56; D14/105; D99/43

“V390U” (1994).
“Customer Interface Terminal” no date.
“Horizon 2000 Series Dispenser” no date.
“The Premier Series H422B: With Insight” (Aug. 1997).
“Dispensers” no date.
“Multidispenser Advantage” no date.
“Multidispenser Advantage” (no date).
“Universal Univision” by Universal Epsco, Inc. (1995).
“Centurion—A Sophisticated and Reliable Dispenser” by Schlumberger Electronics Transaction (1997).

Primary Examiner—Ralf Seifert
Attorney, Agent, or Firm—Coats & Bennett, P.L.L.C.

[57] **CLAIM**

The ornamental design for a fuel dispenser interface, as shown and described.

DESCRIPTION

FIG. 1 is a top, front, and left side perspective view of a fuel dispenser interface showing our new design; FIG. 2 is a rear elevational view; and FIG. 3 is a side elevational view.

FIG. 4 is a top, front, and left side perspective view of a fuel dispenser interface showing a second embodiment of our new design; and,

FIG. 5 is a top, front, and left side perspective view of a fuel dispenser interface showing a third embodiment of our new design.

The bottom and top views of the design are not shown and would not depict any aspect of the invention not already shown in the Figures.

The bottom, top and rear elevation views of the design are not shown and would not depict any aspect of the invention not already shown in the Figures.

Our new design comprises, essentially, an interface for fuel dispensers. The broken-line disclosure of a fuel dispenser and portions thereof in the views is for environmental purposes only and forms no part of the claimed design.

[56] **References Cited**

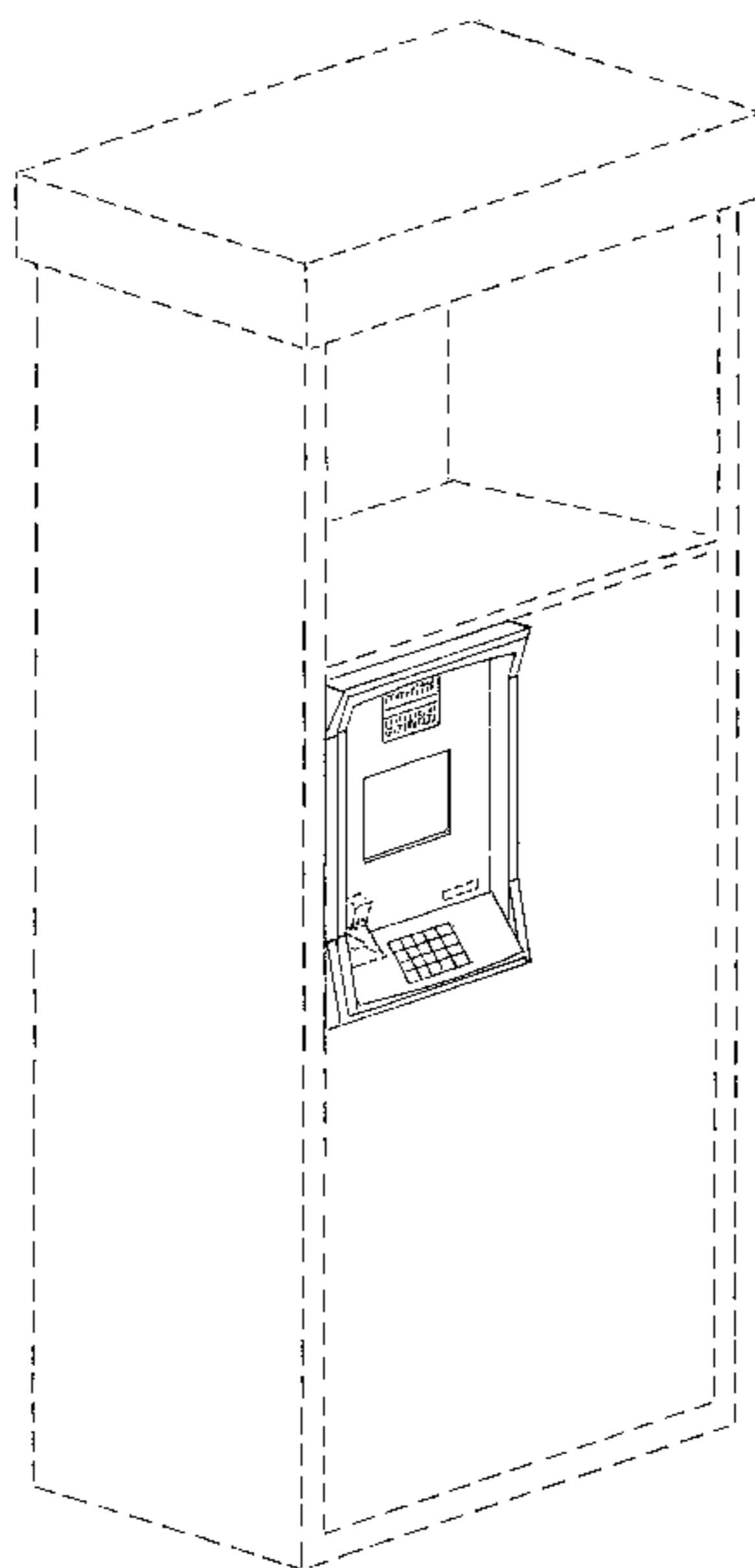
U.S. PATENT DOCUMENTS

D. 244,563	5/1977	Taylor et al.	D52/2
D. 262,971	2/1982	Robinson, Jr. et al.	D15/9.2
D. 265,092	6/1982	Robinson, Jr. et al.	D15/9.2
D. 306,719	3/1990	Austin et al.	D14/105
D. 309,144	7/1990	Austin et al.	D15/9.2
D. 316,471	4/1991	Austin et al.	D99/43
D. 414,501	10/1999	Wilson et al.	D15/9.2
D. 414,781	10/1999	Wilson et al.	D15/9.2
D. 414,782	10/1999	McSpadden et al.	D15/9.2
D. 415,168	10/1999	Wilson et al.	D15/9.2
D. 415,169	10/1999	Wilson et al.	D15/9.2
D. 415,170	10/1999	Wilson et al.	D15/9.2
D. 415,171	10/1999	Wilson et al.	D15/9.2
D. 415,172	10/1999	Wilson et al.	D15/9.2
D. 416,916	11/1999	Wilson et al.	D15/9.2
D. 417,226	11/1999	Wilson et al.	D15/9.2

OTHER PUBLICATIONS

“BP Apollo—NZ Trial Site Review” (Aug. 14, 1998).
“Loyalty Builders”. Schlumberger brochure no date.
“V390” (1994).

1 Claim, 4 Drawing Sheets



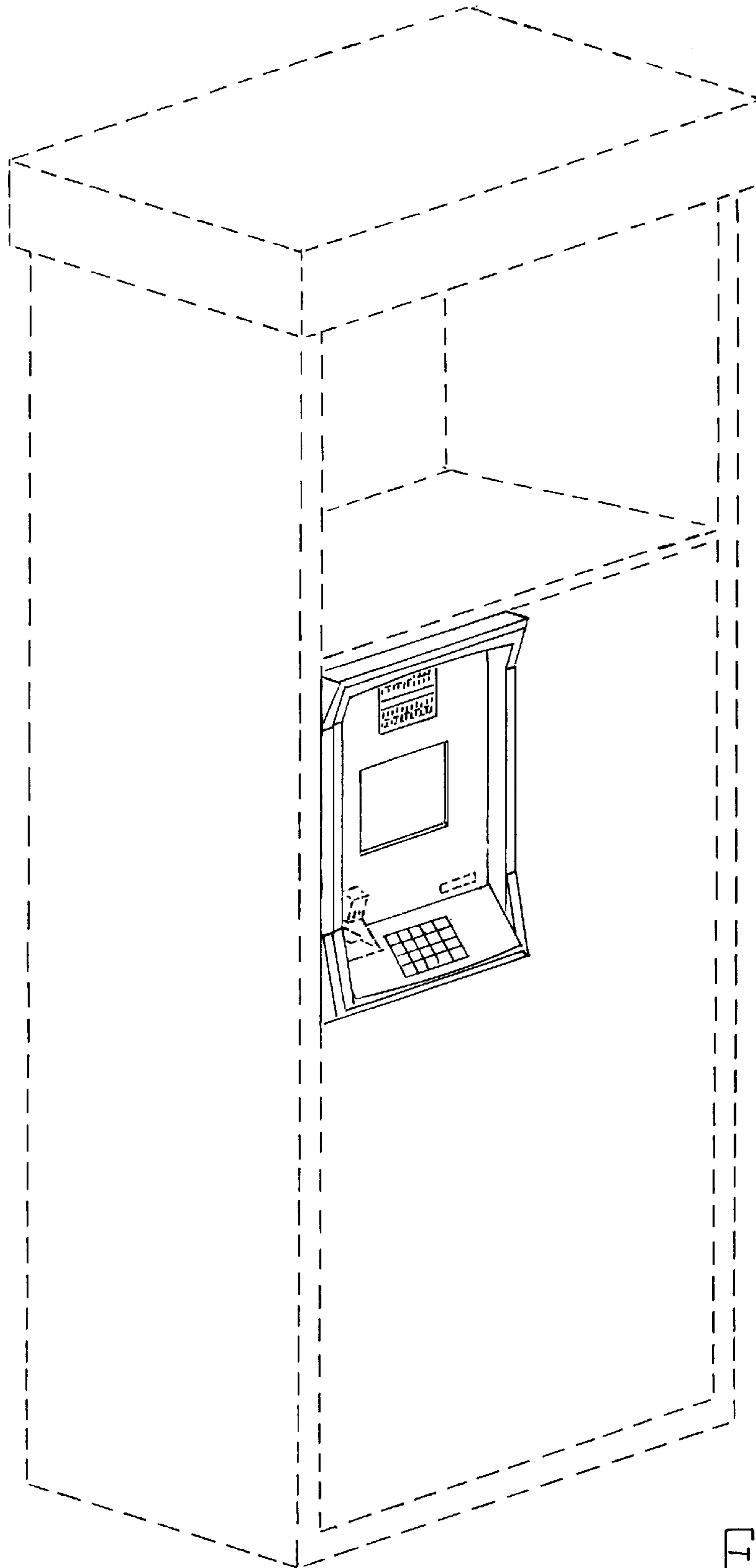


Fig 1

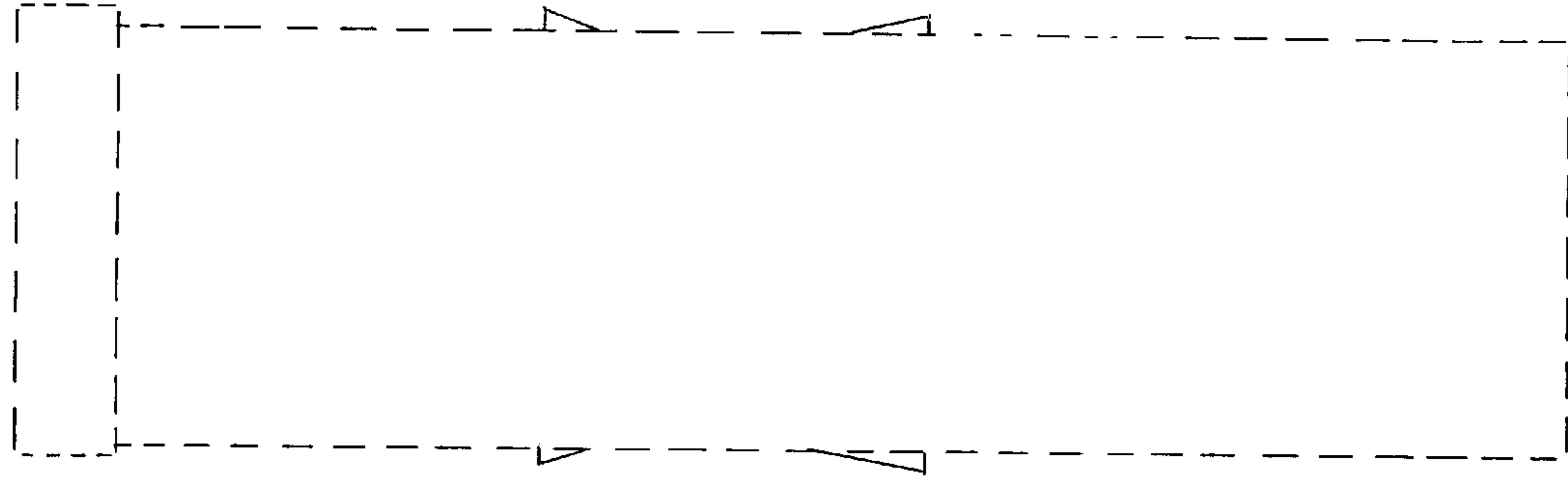


FIG. 3

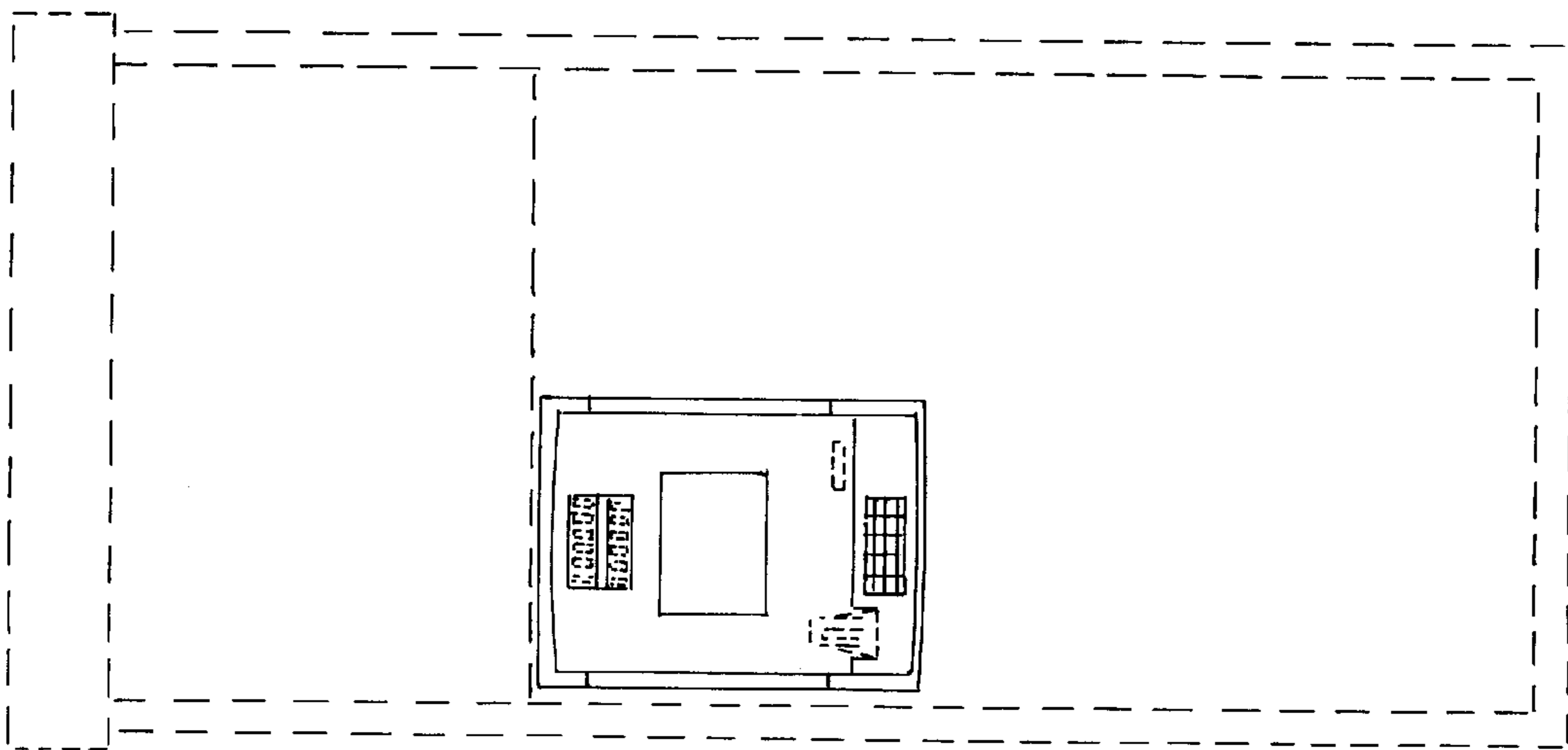


FIG. 2

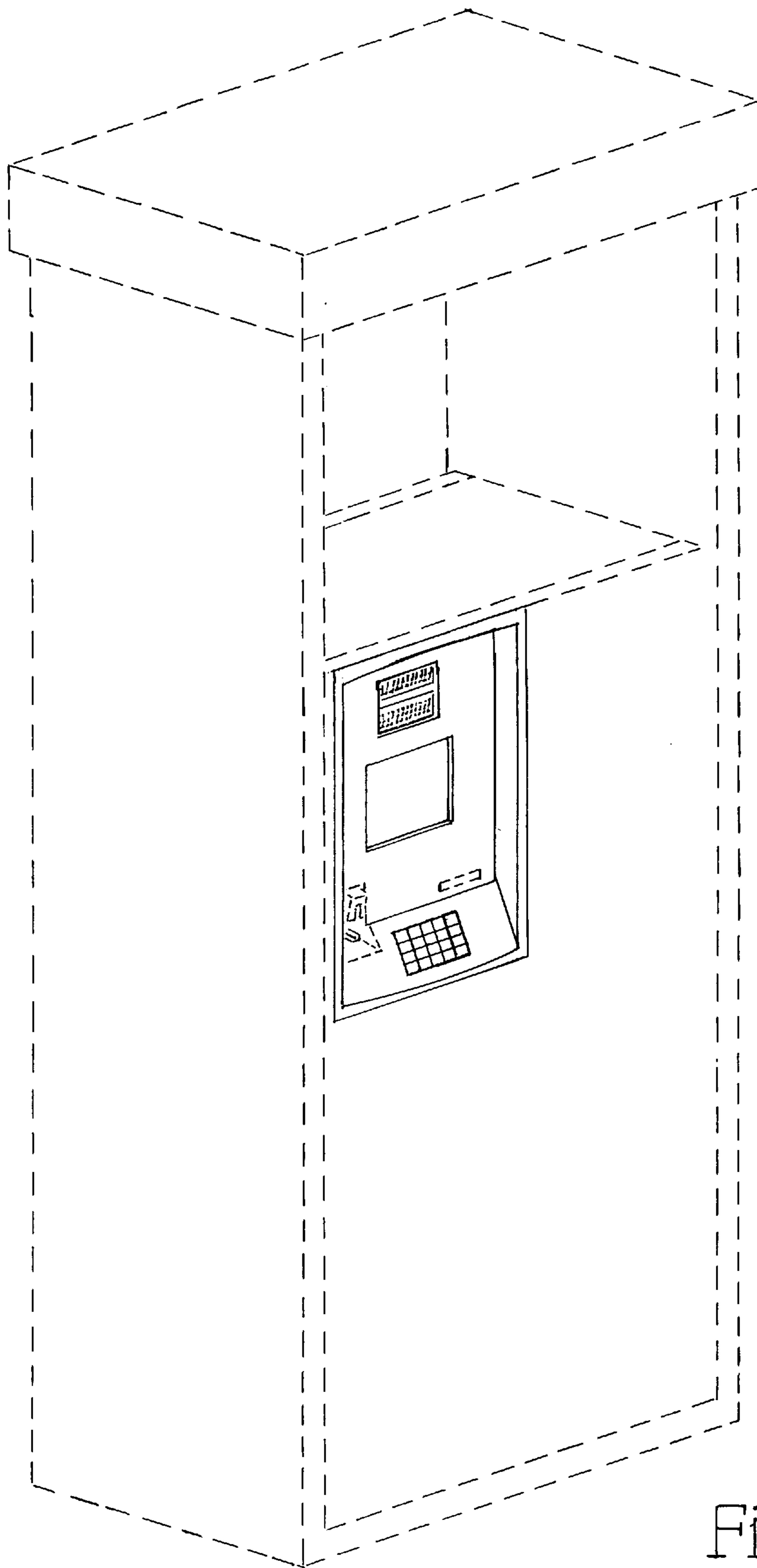


FIG. 4

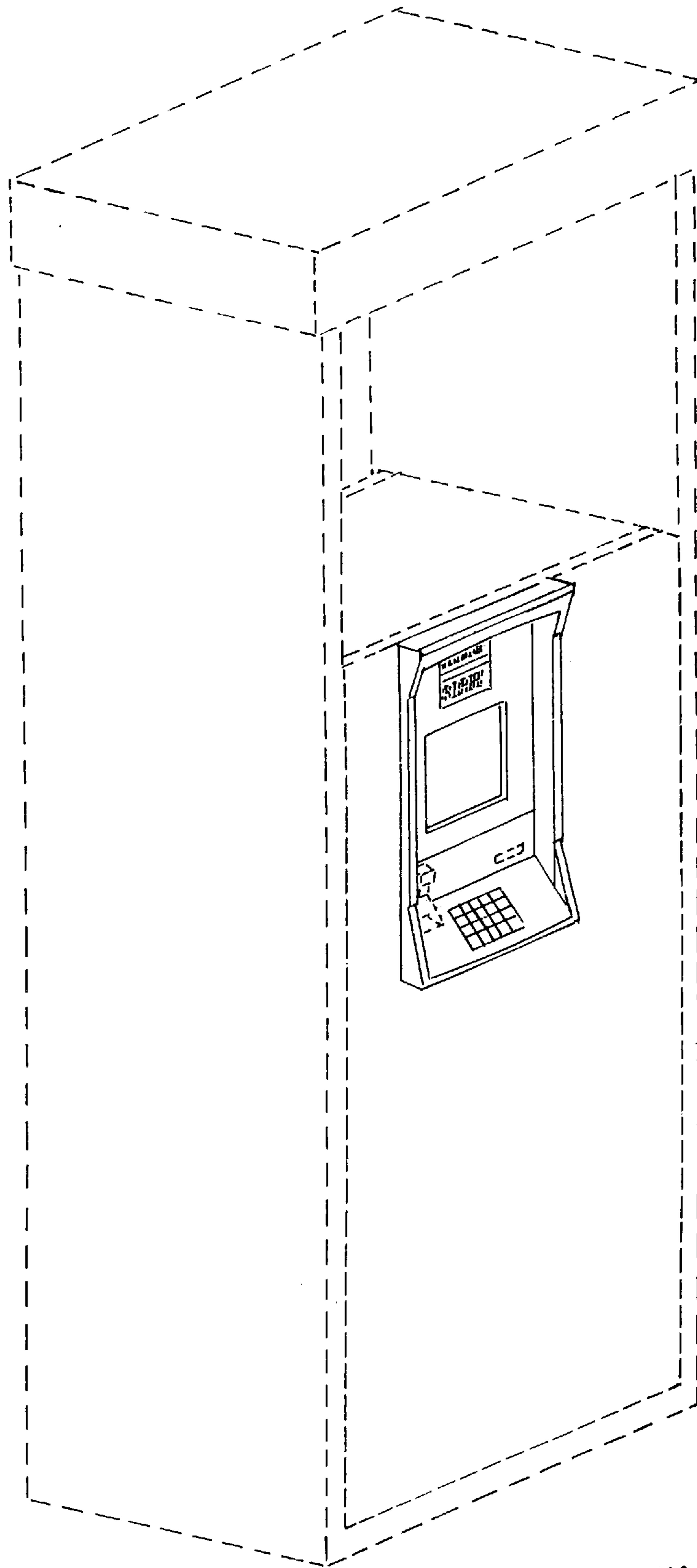


Fig. 5