



US00D428893S

United States Patent [19]

Nagata et al.

[11] Patent Number: **Des. 428,893**

[45] Date of Patent: **** Aug. 1, 2000**

[54] **CARTRIDGE FOR GAME MACHINE**

[75] Inventors: **Hideo Nagata; Kenichi Sugino; Yuji Hori**, all of Kyoto-fu, Japan

[73] Assignee: **Nintendo Co., Ltd.**, Japan

[**] Term: **14 Years**

[21] Appl. No.: **29/106,686**

[22] Filed: **Jun. 22, 1999**

[30] **Foreign Application Priority Data**

Dec. 25, 1998 [JP] Japan 10-38109

[51] **LOC (7) Cl.** **14-99**

[52] **U.S. Cl.** **D14/481**

[58] **Field of Search** D21/324, 329, D21/332, 333; D14/474, 481-483, 432, 435; 273/148 B; 463/43-47, 1, 30

[56] **References Cited**

U.S. PATENT DOCUMENTS

- D. 320,203 9/1991 Ashida .
- D. 376,795 12/1996 Ashida D14/121
- D. 377,488 1/1997 Ashida D14/121

- D. 382,868 8/1997 Ashida .
- D. 394,055 5/1998 Tyler D14/121
- D. 411,532 6/1999 Sugino D14/121
- 4,865,321 9/1989 Nakagawa et al. 463/29
- 5,362,068 11/1994 Liu 463/44
- 5,528,223 6/1996 Dillonardo et al. 463/29

Primary Examiner—Prabhakar Deshmukh
Attorney, Agent, or Firm—Nixon & Vanderhye P.C.

[57] **CLAIM**

The ornamental design for a cartridge for game machine, as shown and described.

DESCRIPTION

FIG. 1 is a top plan view of a cartridge for a game machine; FIG. 2 is a front elevational view thereof; FIG. 3 is a bottom plan view thereof; FIG. 4 is a rear elevational view thereof; FIG. 5 is a left side view thereof; FIG. 6 is a right side view thereof; FIG. 7 is a top, rear and right side perspective view thereof; and, FIG. 8 is a front, bottom, and right side perspective view thereof.

1 Claim, 5 Drawing Sheets

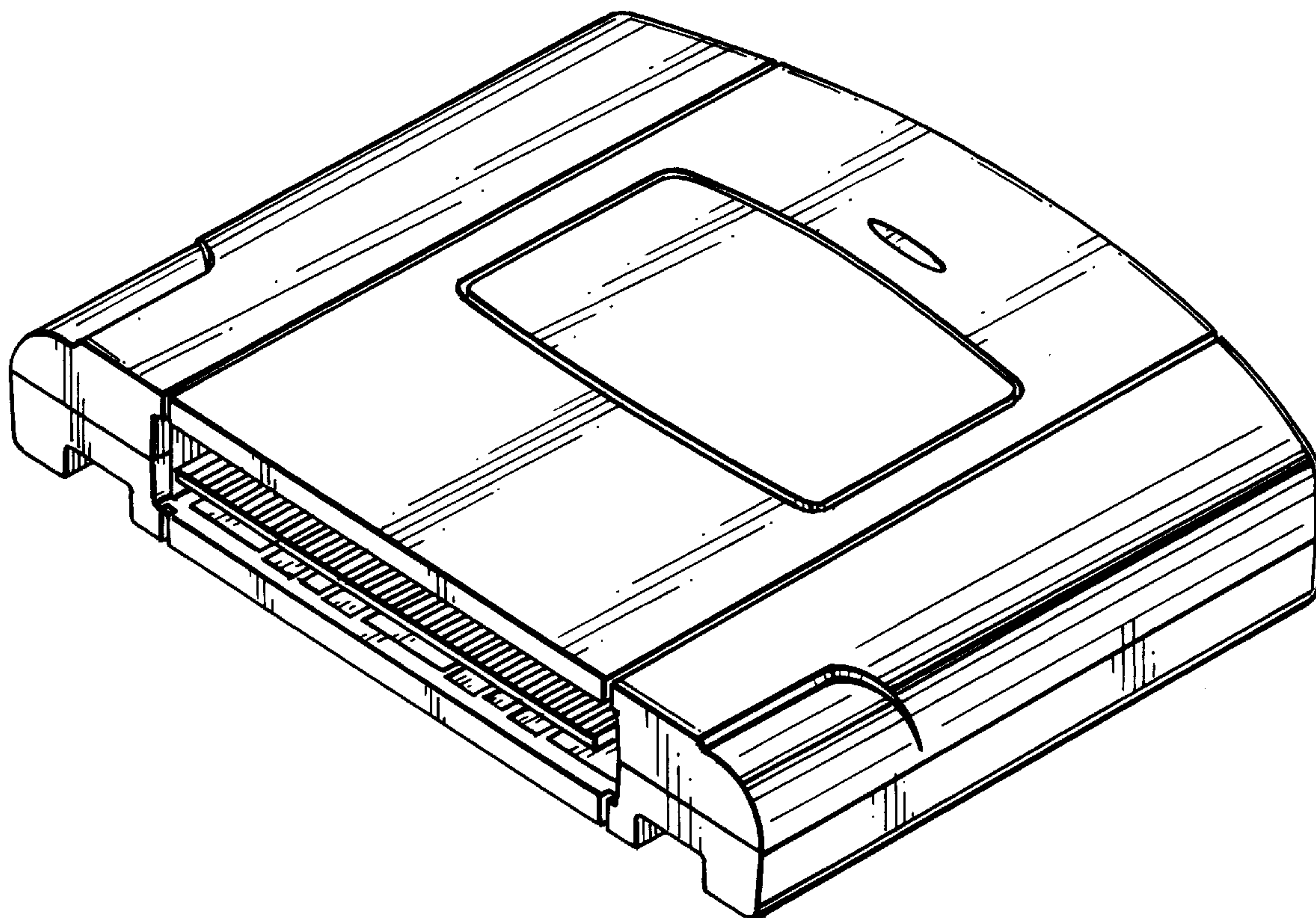


FIG. 1

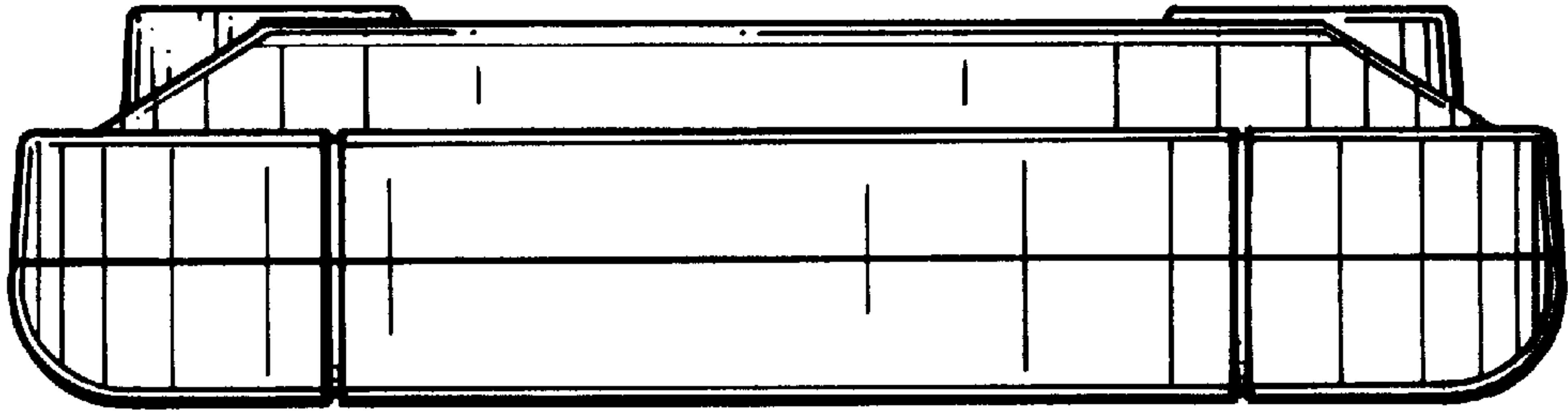


FIG. 2

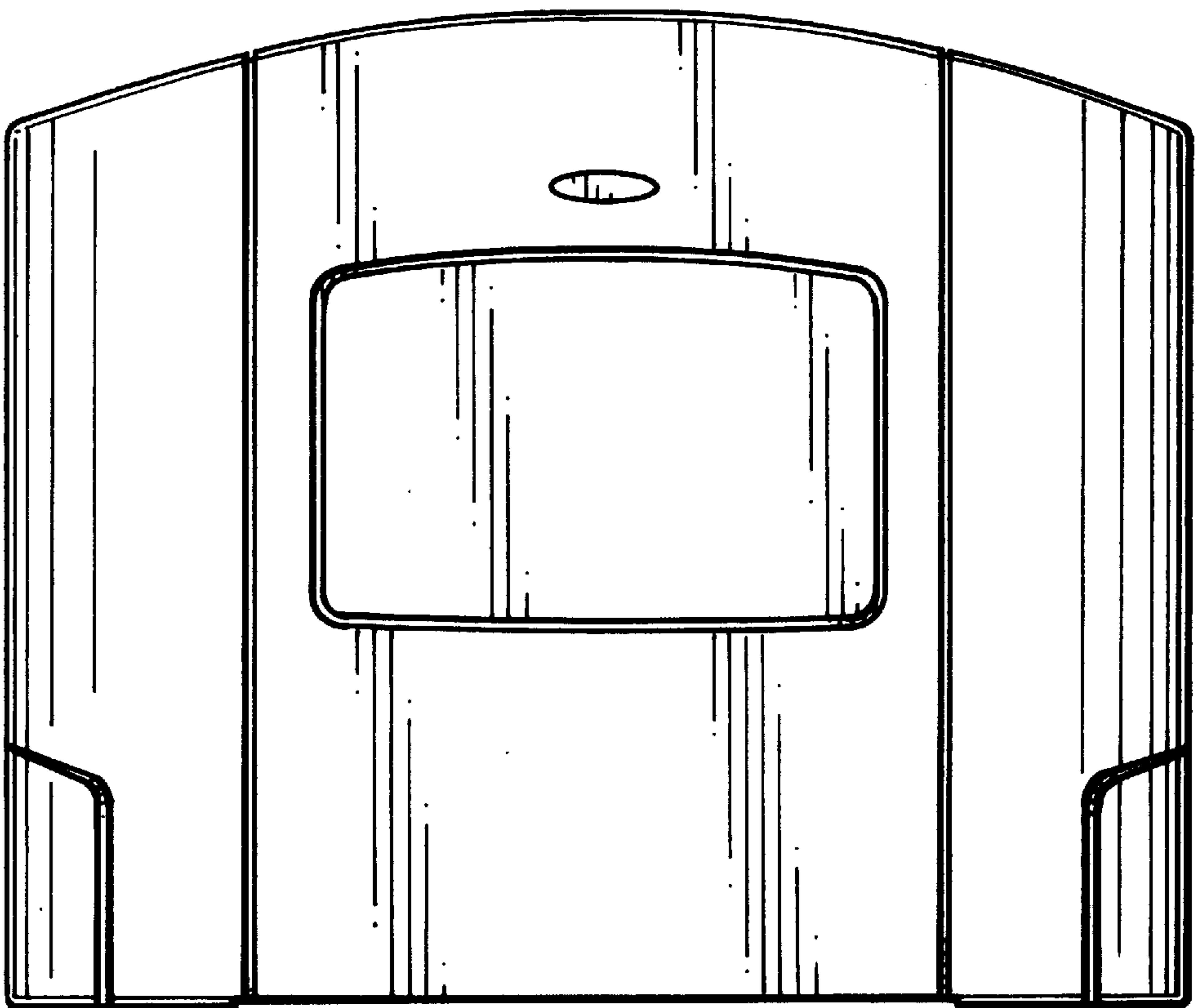


FIG. 3

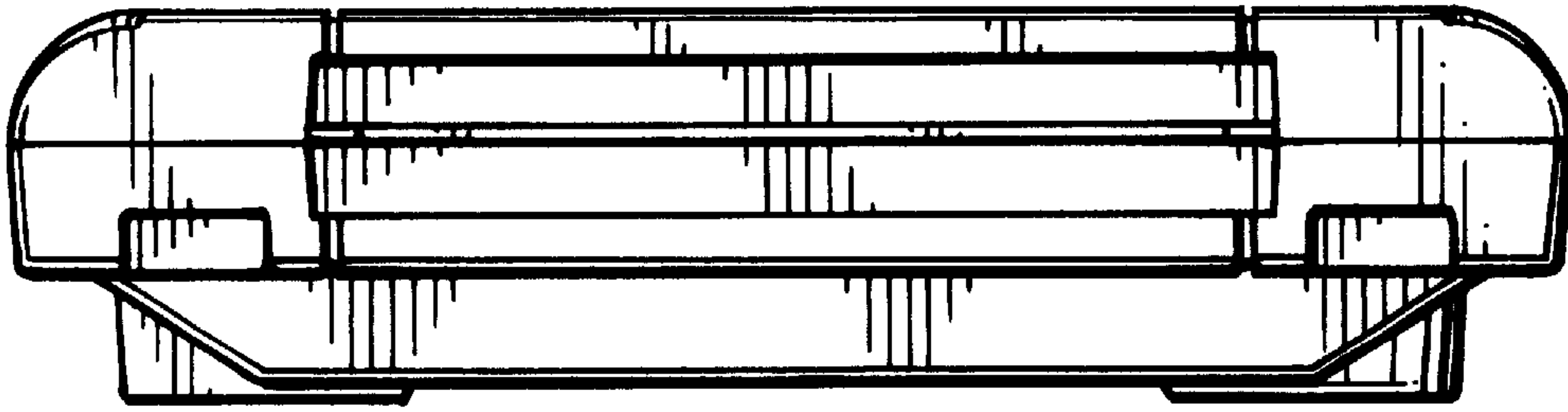


FIG. 4

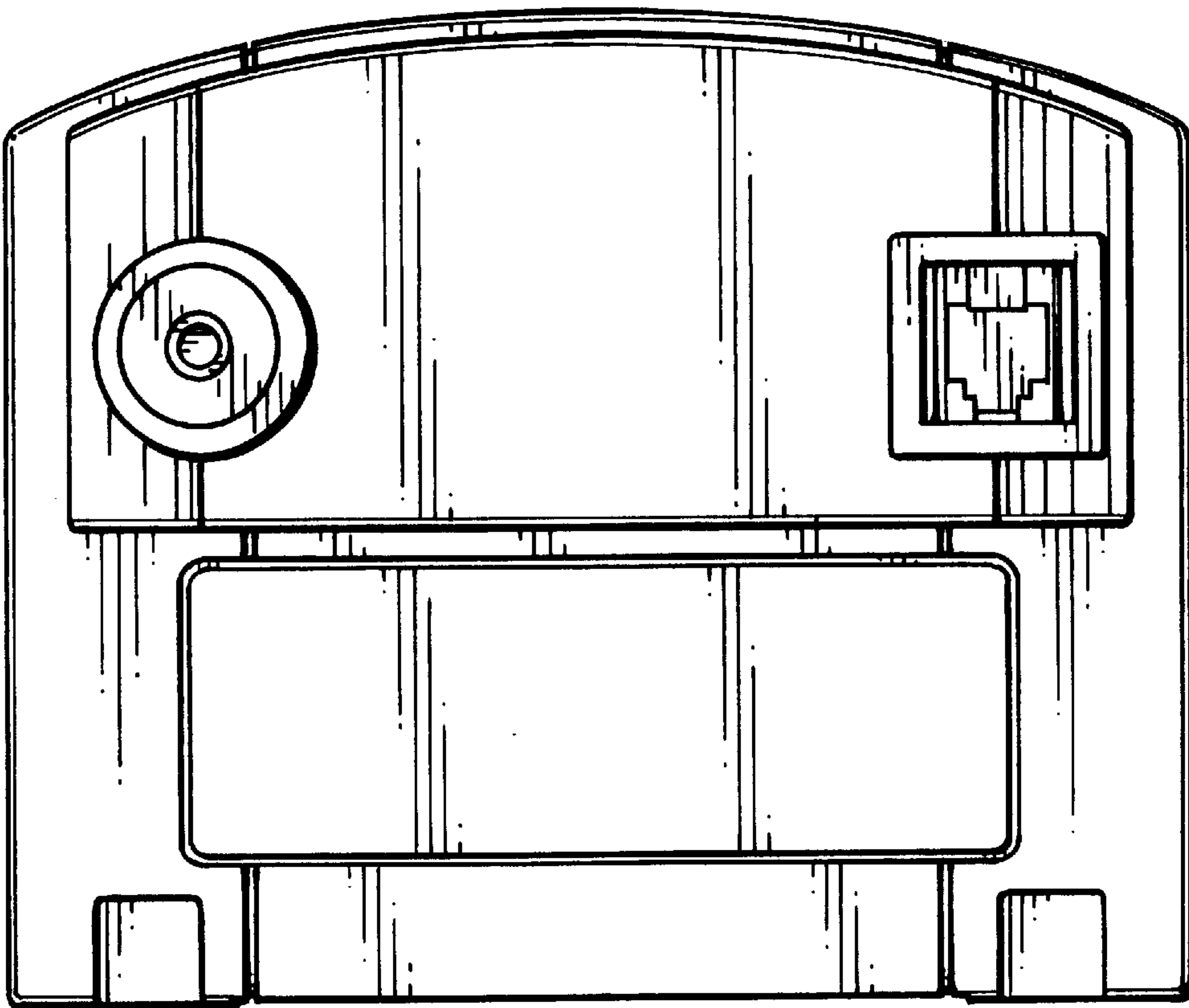


FIG. 6

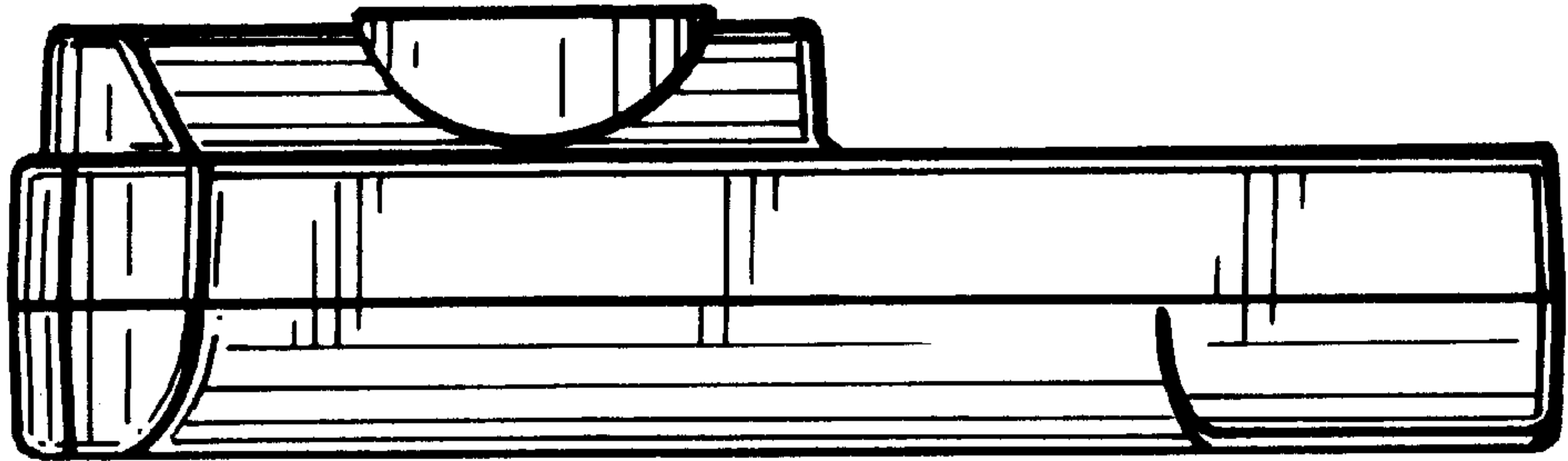


FIG. 5

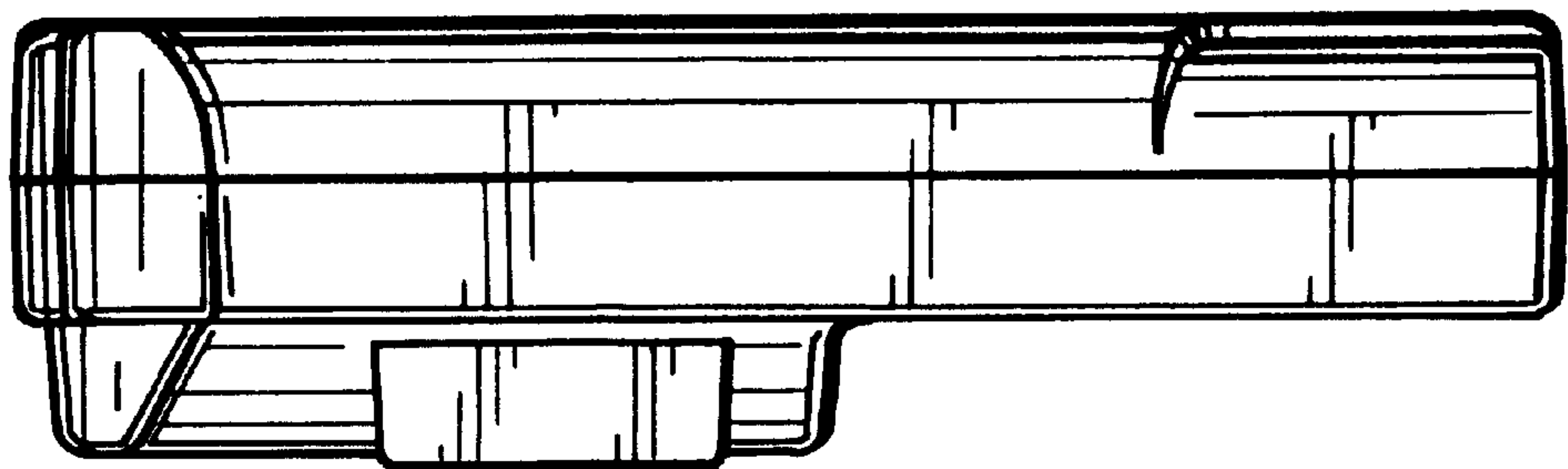


FIG. 7

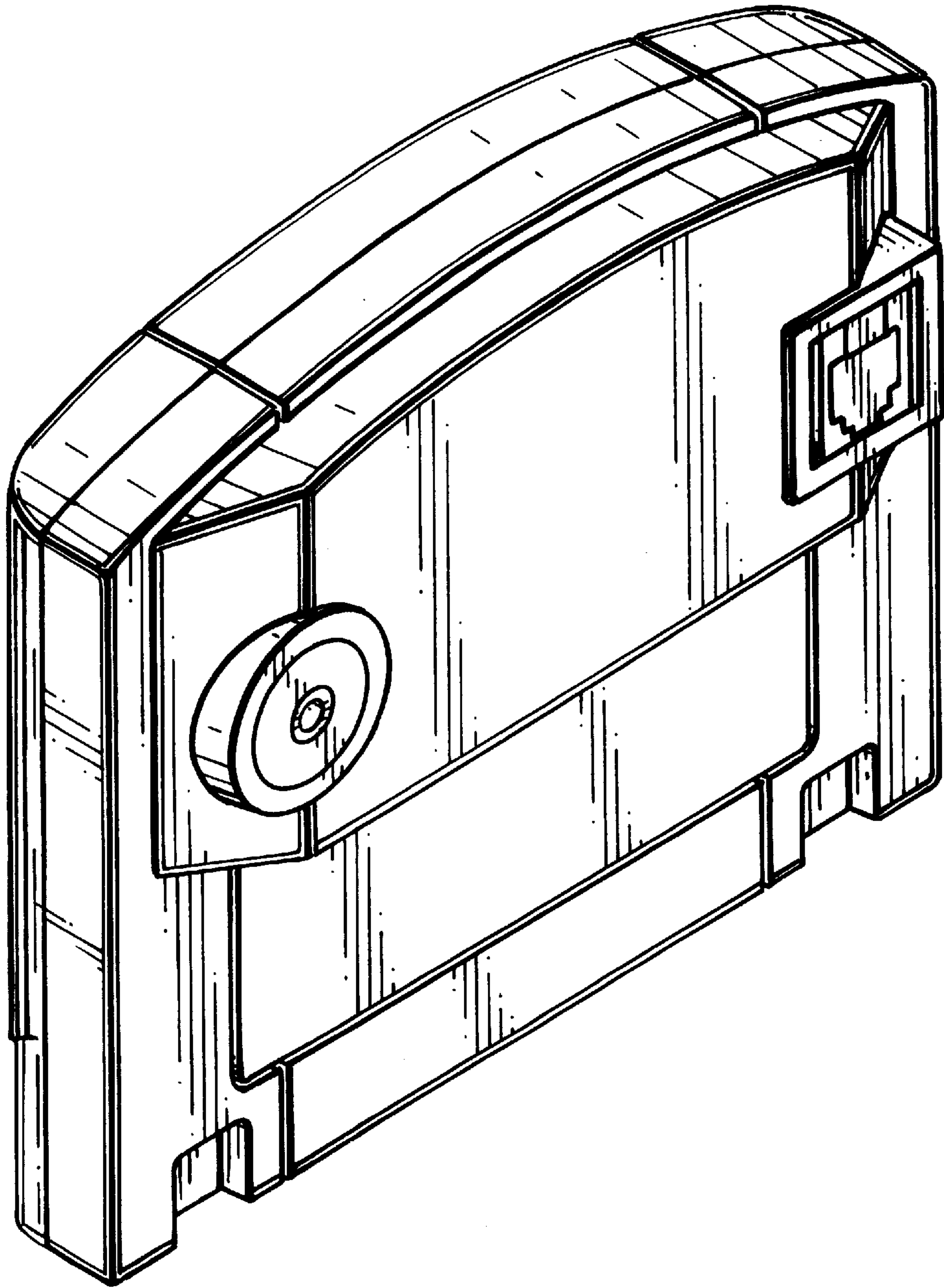


FIG. 8

