



US00D428892S

United States Patent [19] Haimson

[11] **Patent Number: Des. 428,892**

[45] **Date of Patent: ** Aug. 1, 2000**

[54] **EQUIPMENT FACE**

[75] Inventor: **Michael Haimson**, Mountain View, Calif.

[73] Assignee: **Avcom Technologies, Inc.**, Sunnyvale, Calif.

[**] Term: **14 Years**

[21] Appl. No.: **29/102,477**

[22] Filed: **Mar. 25, 1999**

[51] **LOC (7) Cl.** **14-02**

[52] **U.S. Cl.** **D14/441**

[58] **Field of Search** D14/444-47, 441-3;
D13/162, 184, 199, 164; 361/600, 622,
724-28, 680-5; 360/99.01-99.12; 312/208.1

[56] **References Cited**

U.S. PATENT DOCUMENTS

D. 332,949	2/1993	Aderman	D14/445
D. 358,384	5/1995	Goodner	D14/445
D. 381,974	8/1997	Alfonso	D14/445
D. 387,751	12/1997	Lain	D14/444
D. 404,029	1/1999	Fu	D14/446

D. 407,079	3/1999	Wu	D14/447
D. 409,174	5/1999	Fu	D14/444

Primary Examiner—M. H. Tung
Attorney, Agent, or Firm—Morrison & Foerster LLP

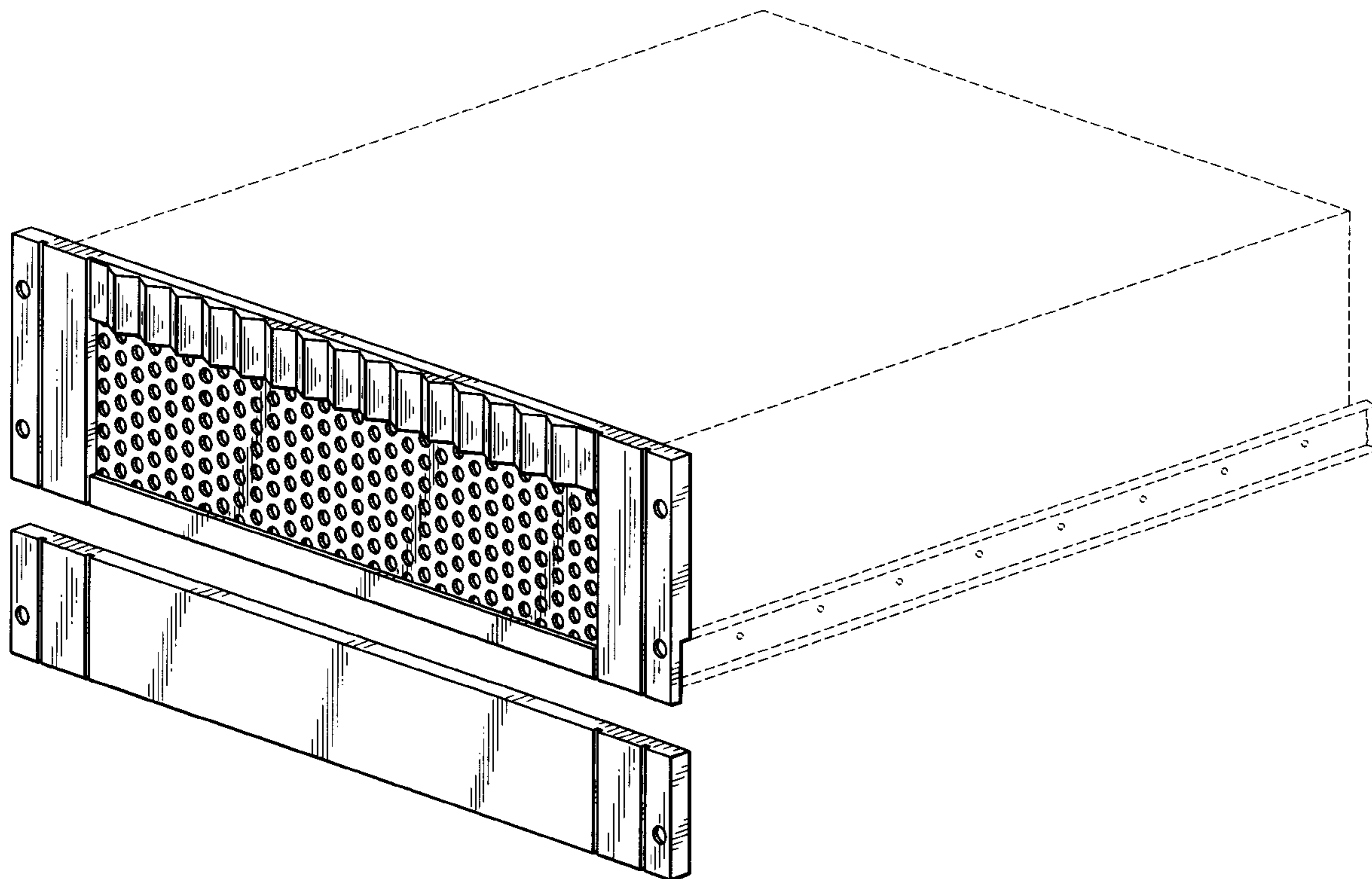
[57] **CLAIM**

The ornamental design for the equipment face, as shown and described.

DESCRIPTION

FIG. 1 is a front perspective view of an equipment face showing my new design;
FIG. 2 is a front elevational view of my new design;
FIG. 3 is a rear elevational view of my new design;
FIG. 4 is a top plan view of my design, the elements are shown next to each other for clarity of illustration.
FIG. 5 is a bottom view of my design, the elements are show next to each other for clarity of illustration.
FIG. 6 is a right elevational view of my new design;
FIG. 7 is a left elevational view of my new design; and,
FIG. 8 is a right perspective view of an equipment face of my new design, on a reduced scale, the broken line drawing of an electronic equipment enclosure is for illustrative purposes only and forms no part of the claimed design.

1 Claim, 6 Drawing Sheets



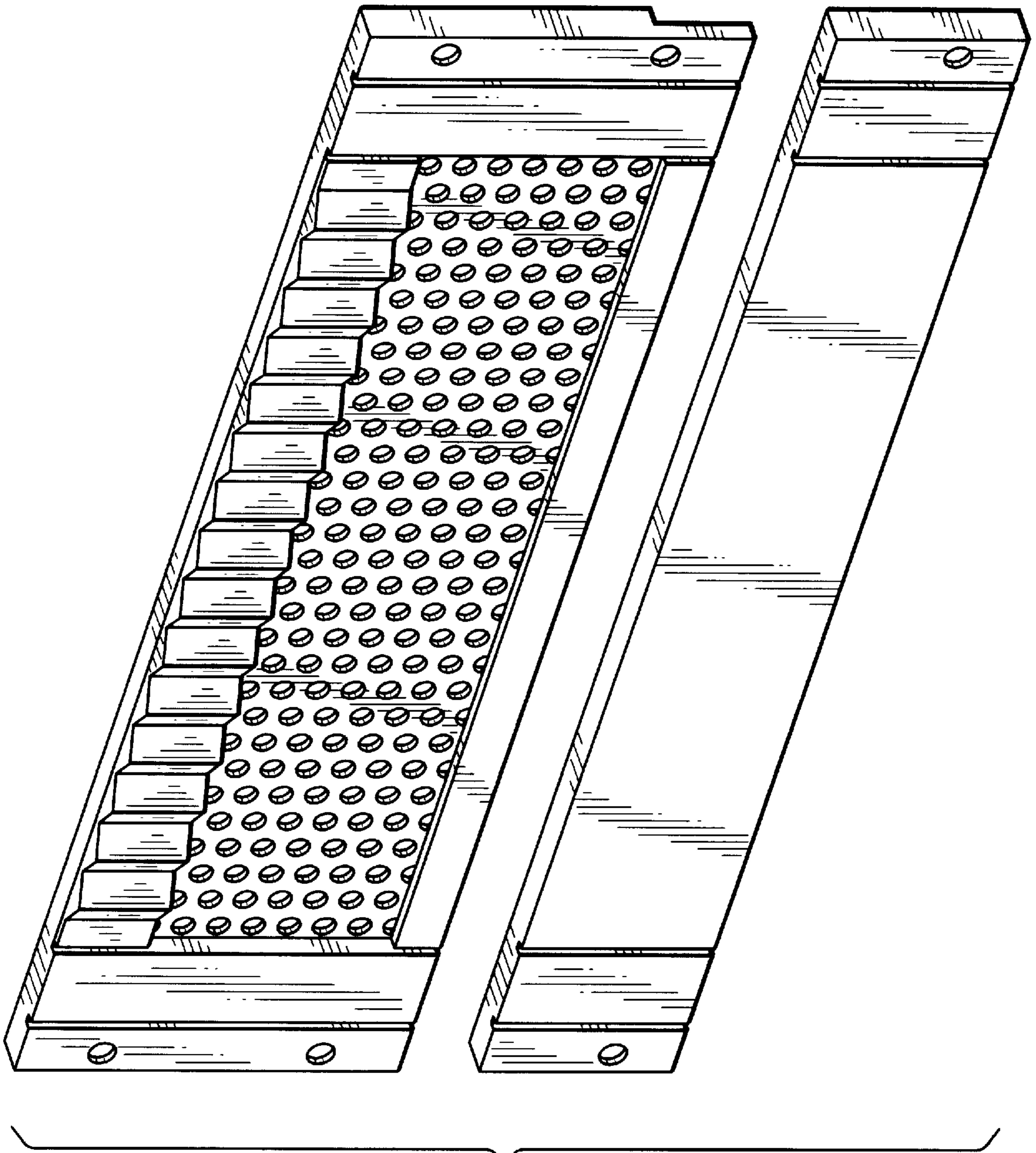


FIG. 1

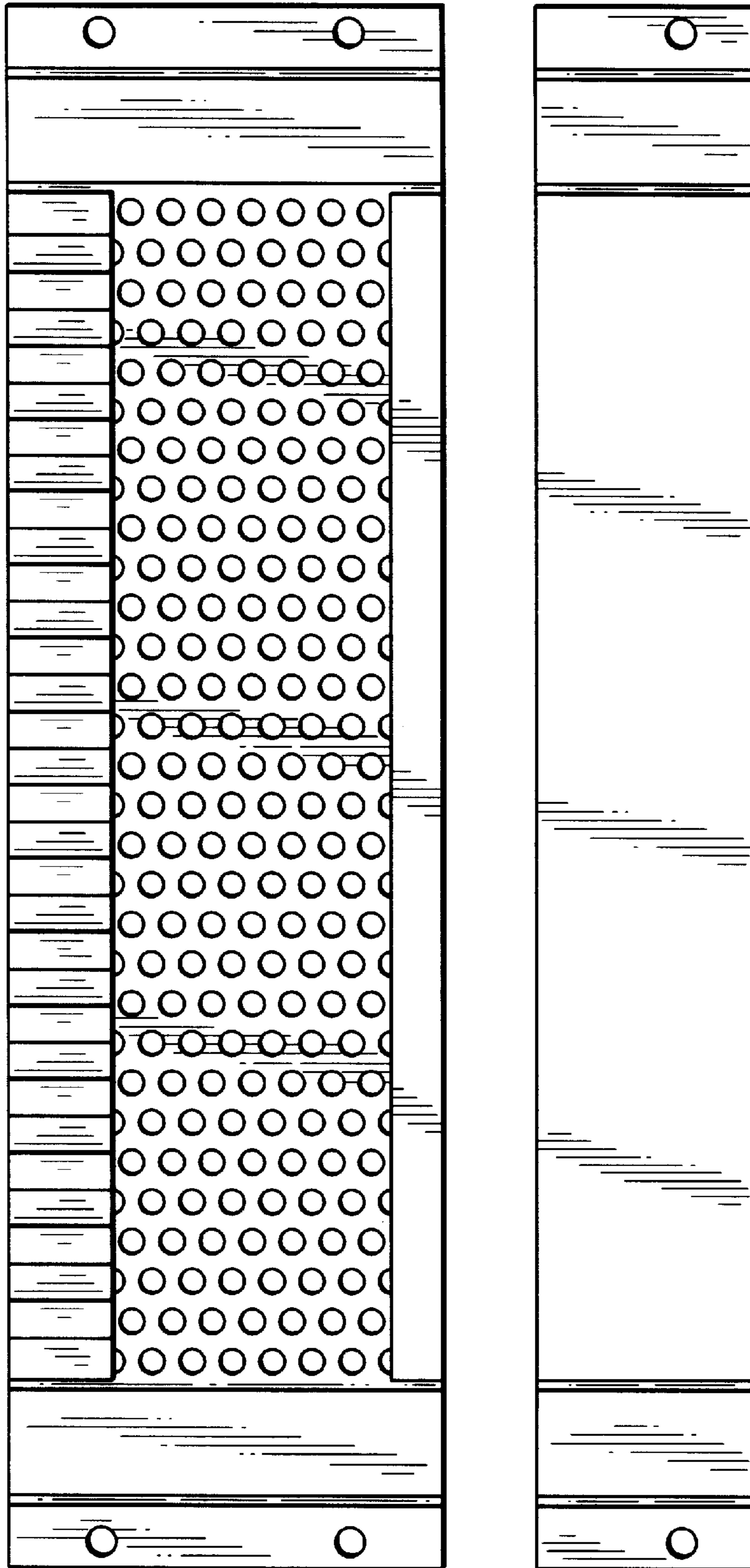


FIG. 2

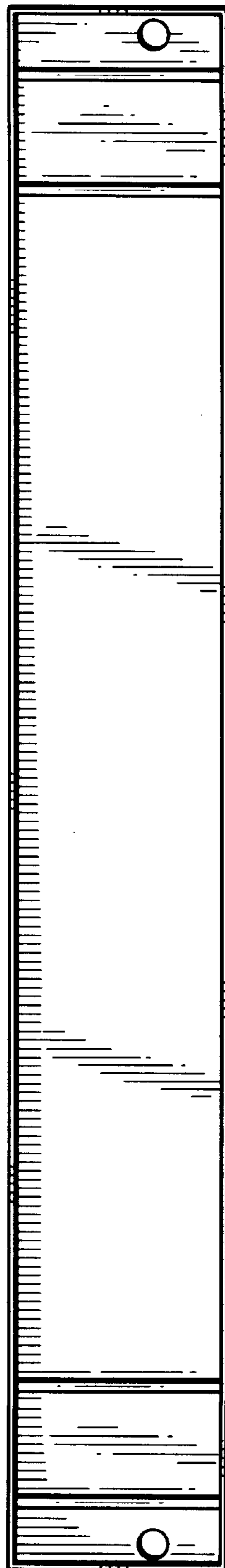
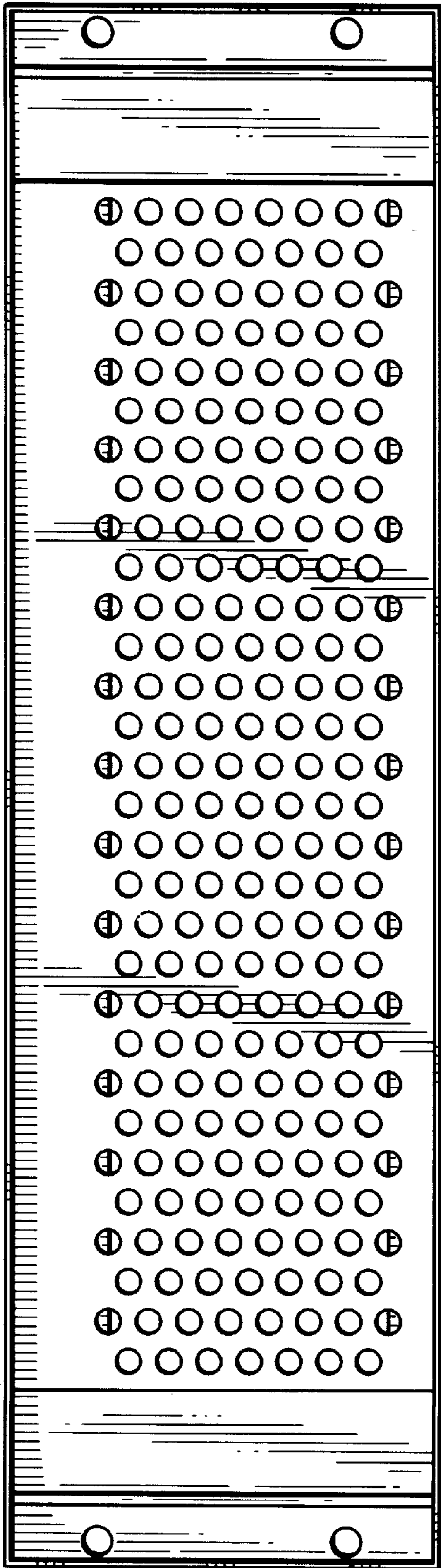


FIG. 3

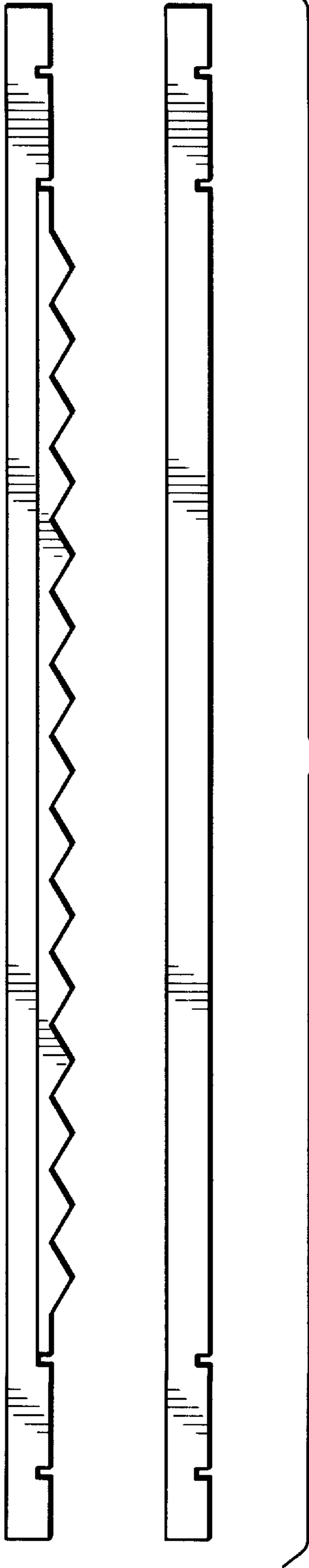


FIG. 4

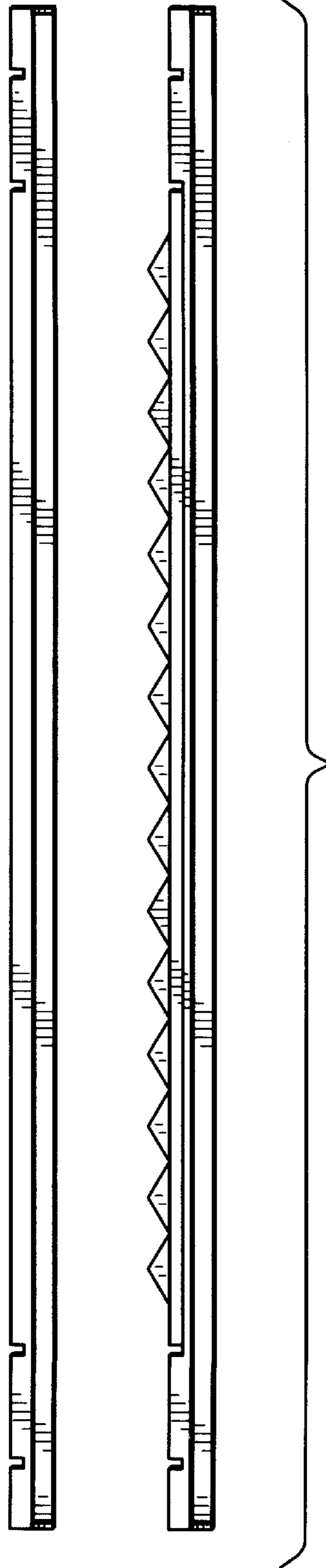


FIG. 5

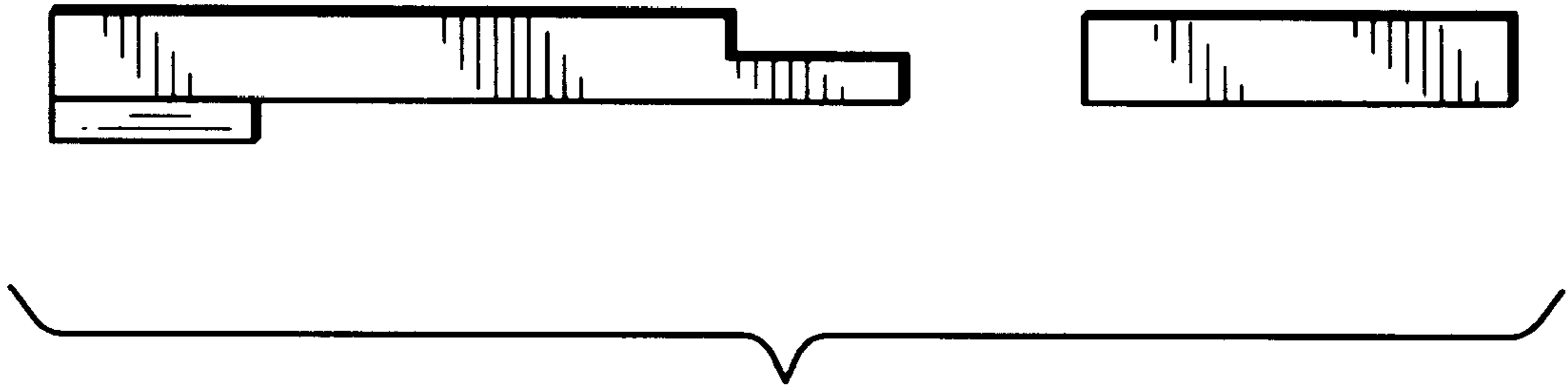


FIG. 6

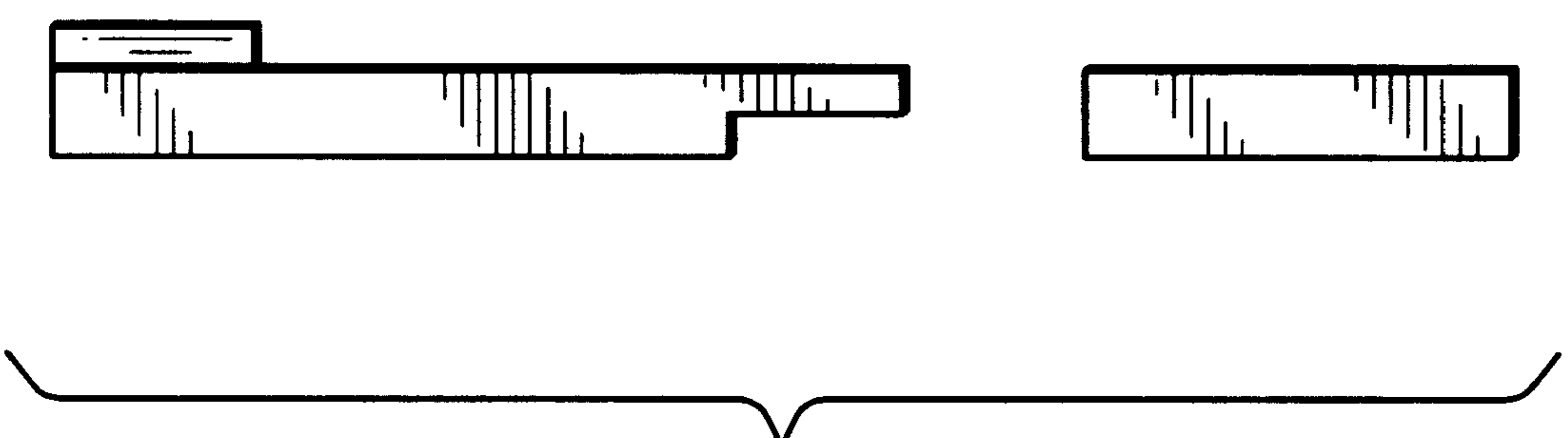


FIG. 7

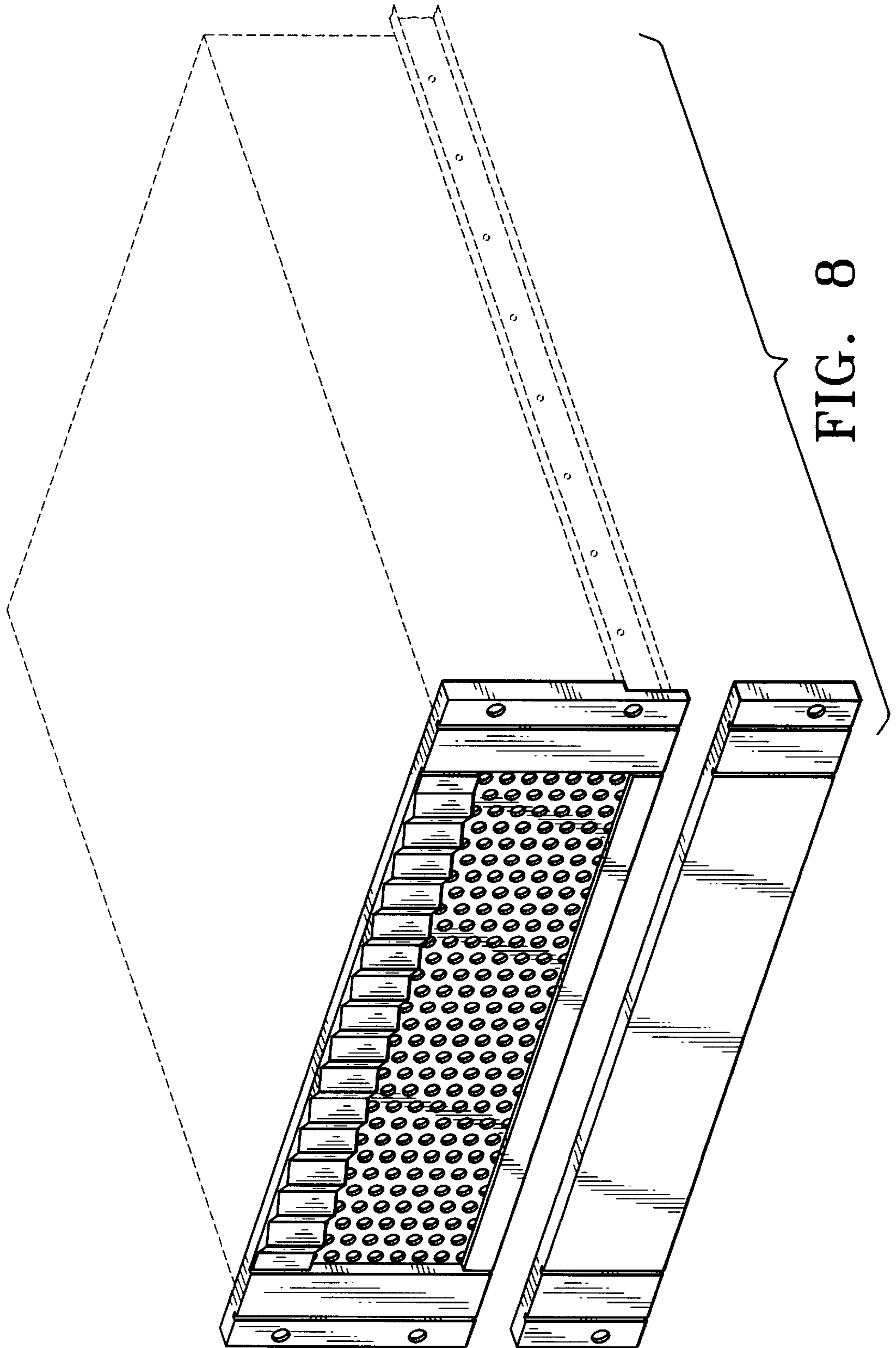


FIG. 8