



US00D428884S

United States Patent [19] Foley

[11] **Patent Number: Des. 428,884**

[45] **Date of Patent: ** Aug. 1, 2000**

[54] **COMPUTER ENCLOSURE**

D. 380,200 6/1997 Hill et al. D14/100

[76] Inventor: **David R. Foley**, 321 7th St., SF, Calif.
94103

Primary Examiner—Freda Nunn
Attorney, Agent, or Firm—Hickman Stephens Coleman &
Hughes, LLP

[**] Term: **14 Years**

[57] CLAIM

[21] Appl. No.: **29/098,987**

I claim the ornamental design for a computer enclosure, as shown and described.

[22] Filed: **Jan. 9, 1999**

[51] **LOC (7) Cl.** **14-02**

[52] **U.S. Cl.** **D14/348**

[58] **Field of Search** D14/100, 102,
D14/107-109; D13/162, 184, 199; D6/432,
436, 445, 448; 312/194; 369/34, 36; 360/99.12;
361/694, 696

DESCRIPTION

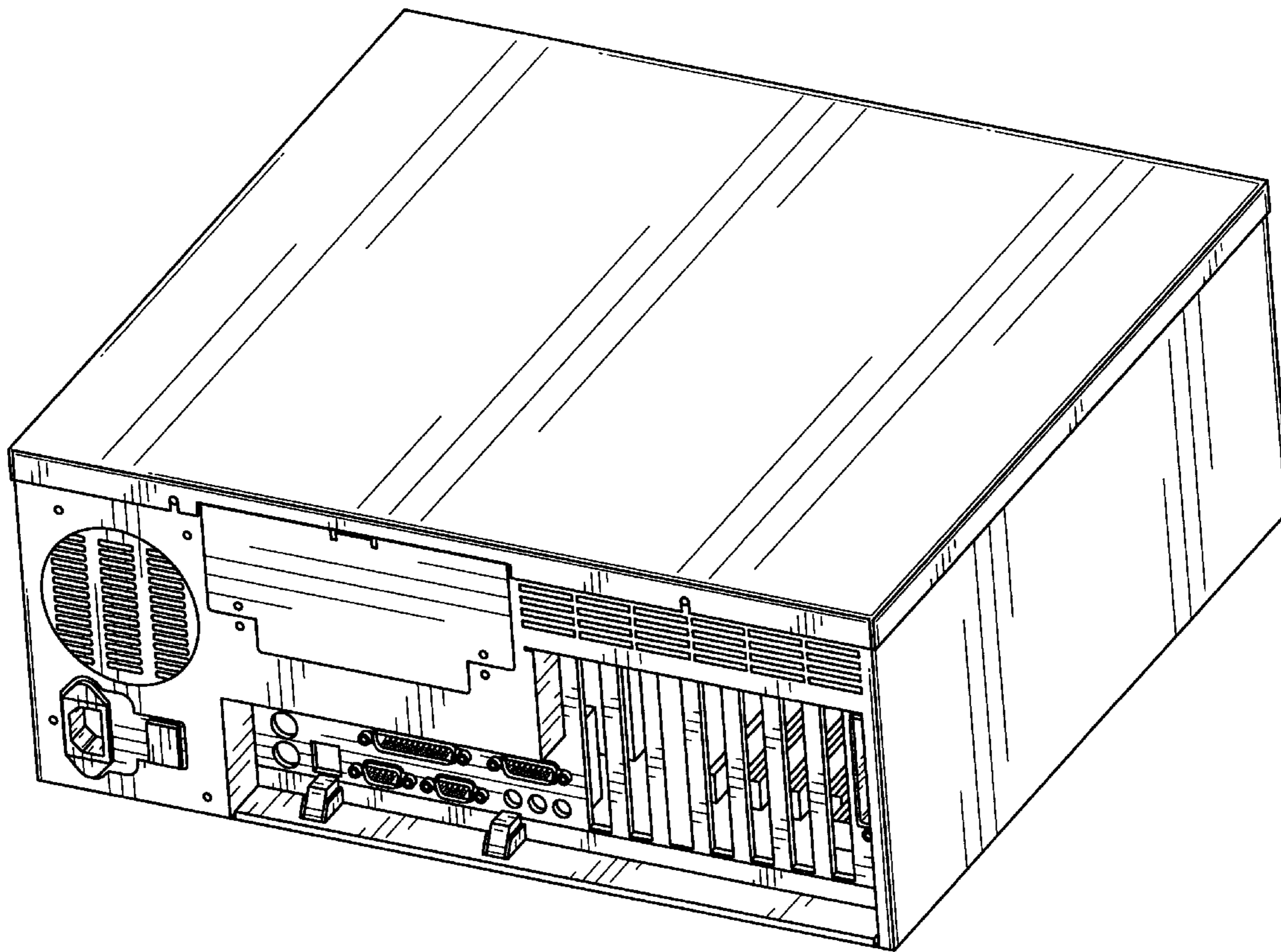
FIG. 1 is a perspective view of a computer enclosure of the present design;
FIG. 2 is a front elevational view thereof;
FIG. 3 is a rear elevational view thereof;
FIG. 4 is a right side elevational view thereof, the left side view being a mirror image thereof; and,
FIG. 5 is a top plan view thereof the bottom plan view being a mirror image thereof.

[56] References Cited

U.S. PATENT DOCUMENTS

D. 360,883 8/1995 Ito et al. D14/107
D. 378,515 3/1997 Senshiki D14/100

1 Claim, 5 Drawing Sheets



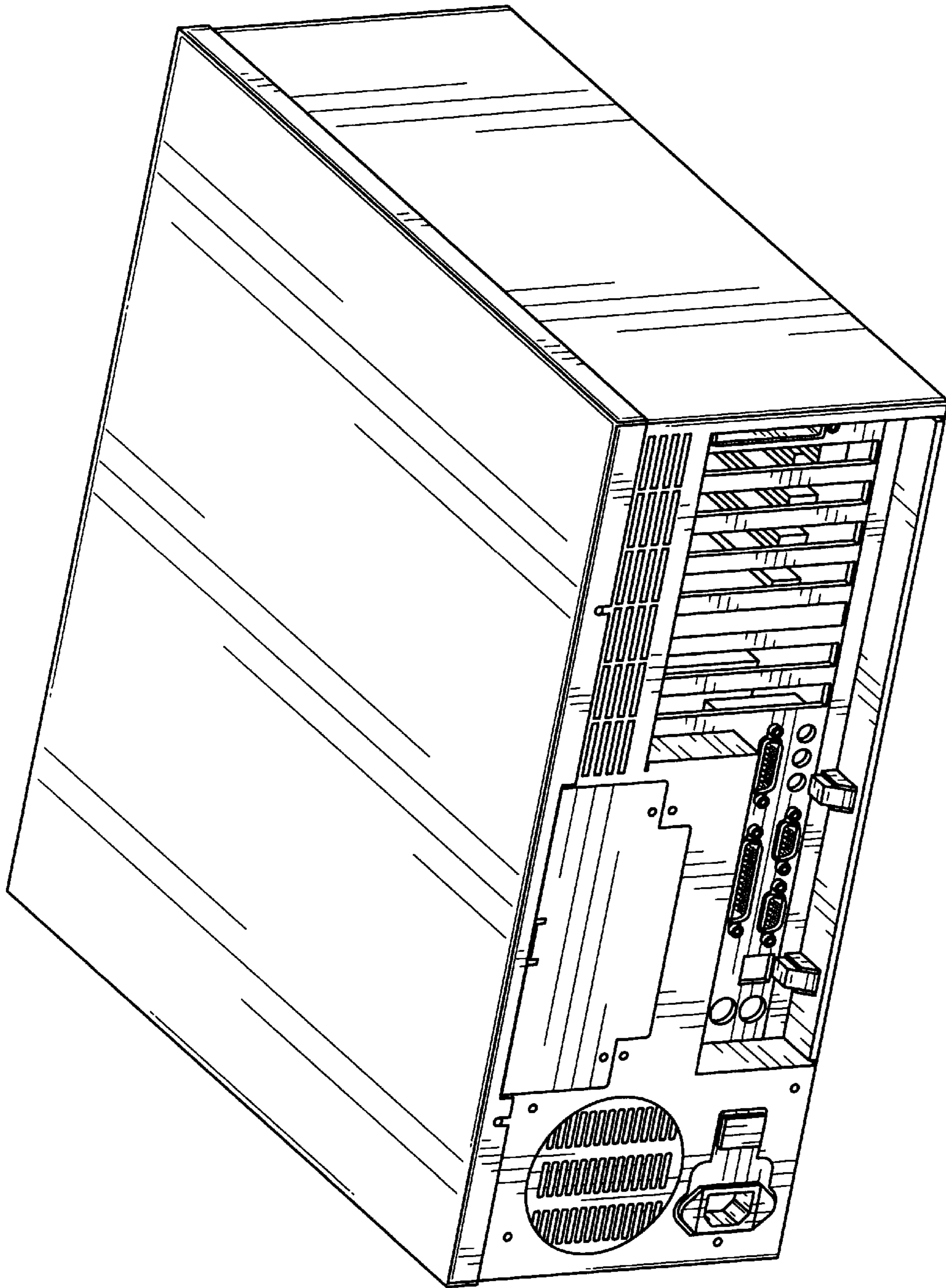


FIG. 1

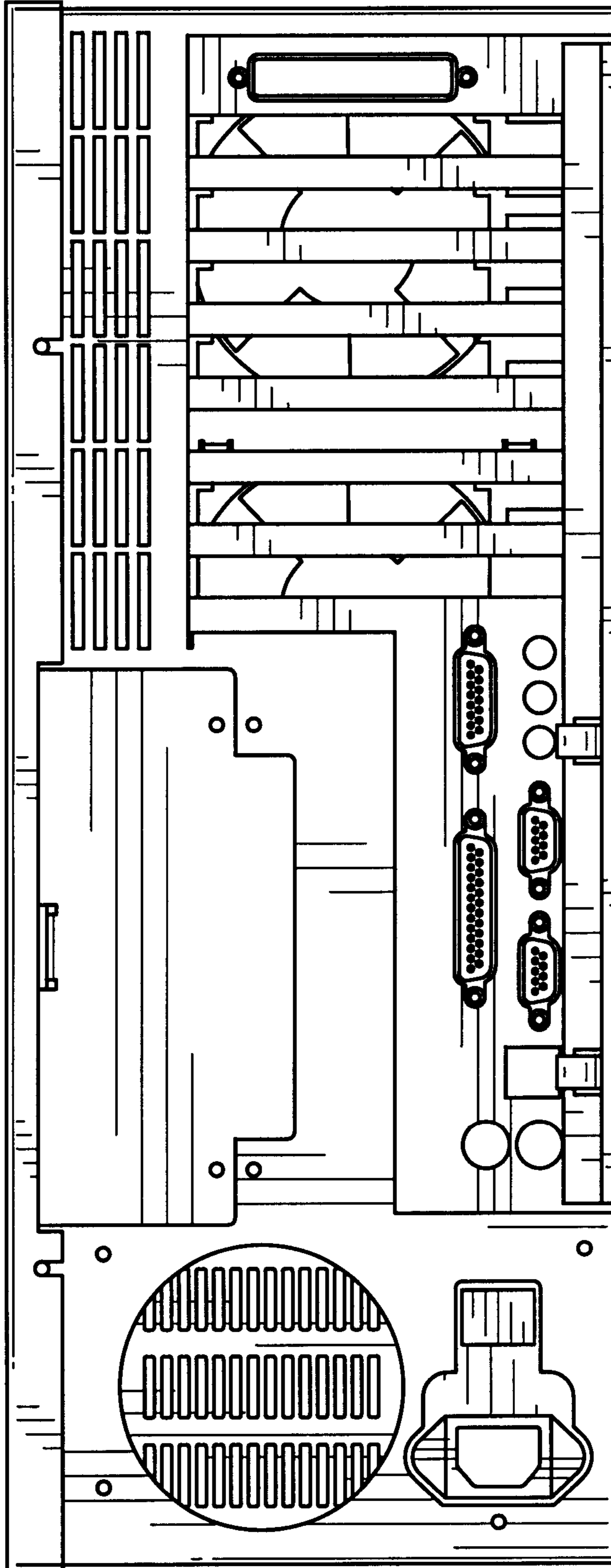


FIG. 2

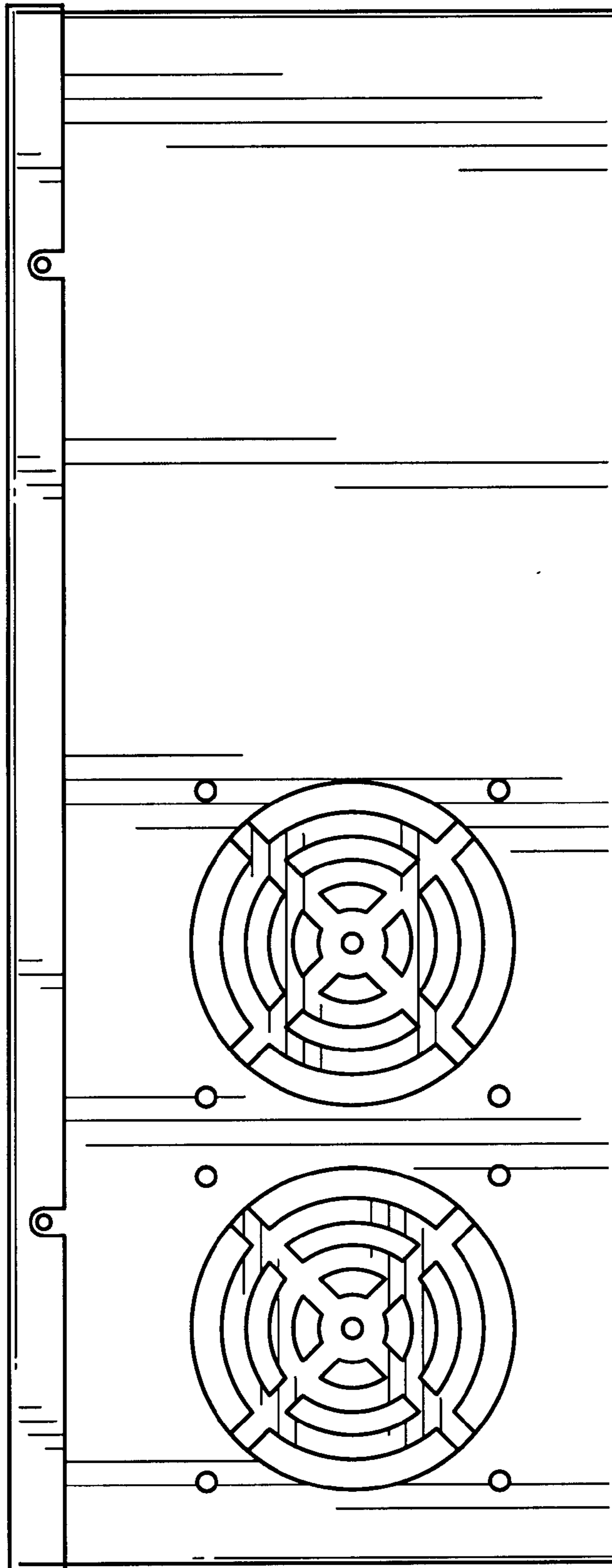


FIG. 3

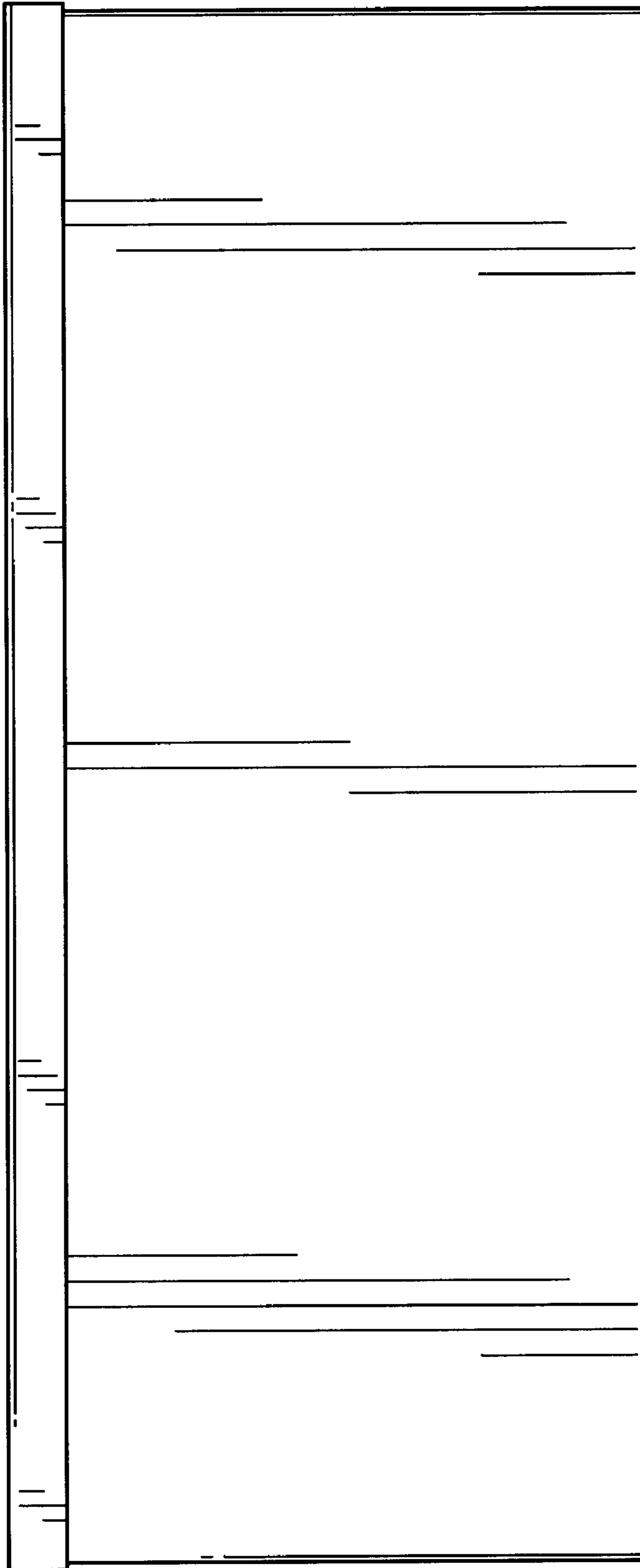


FIG. 4

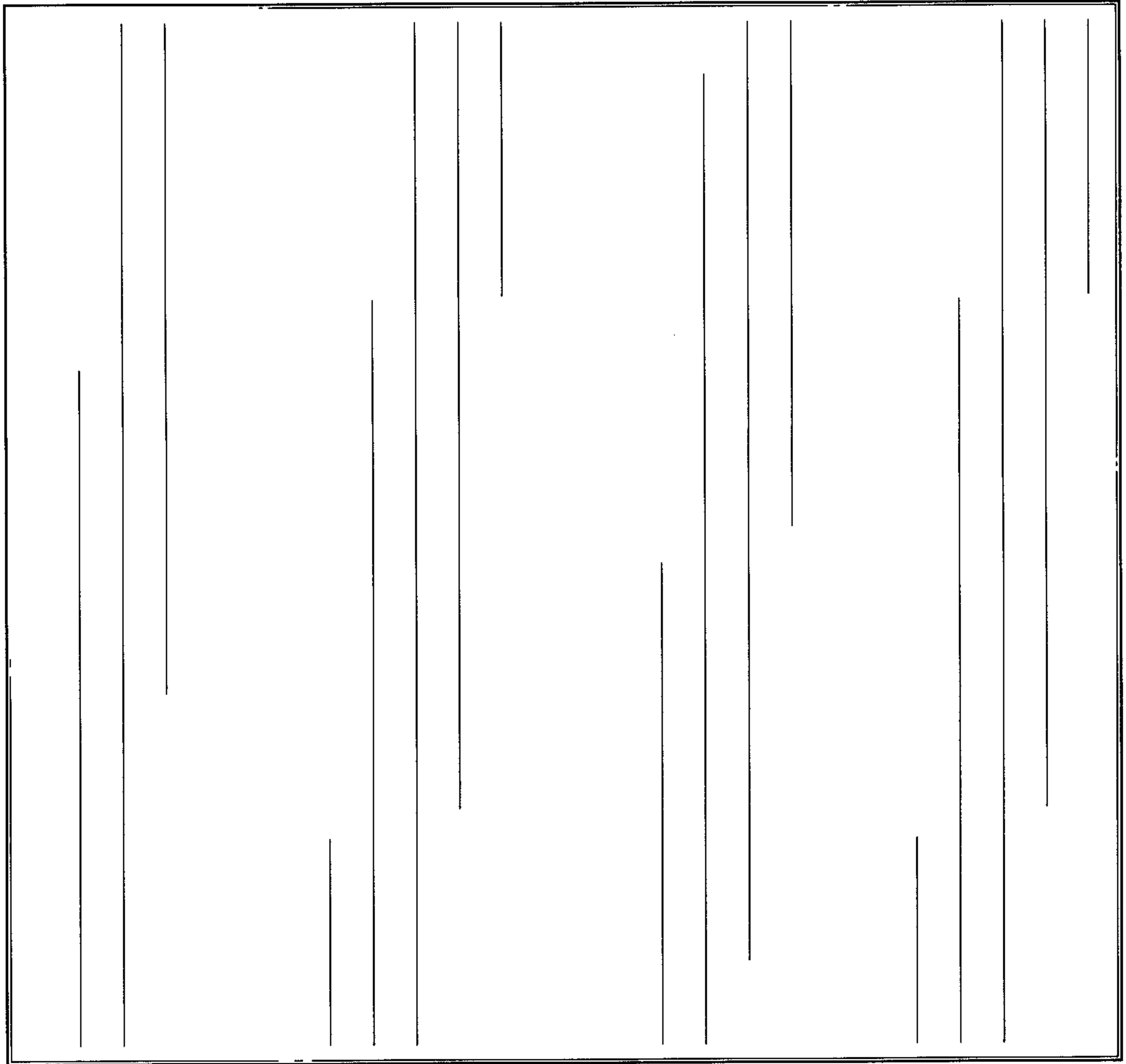


FIG. 5