



US00D428882S

United States Patent [19]

Musa

[11] **Patent Number: Des. 428,882**

[45] **Date of Patent: ** Aug. 1, 2000**

[54] **DIGITAL INFORMATION STORAGE
MODULE SIMULATING A BOOK**

D. 326,446 5/1992 Wong D14/345
D. 410,028 5/1999 Fyffe D14/345

[76] Inventor: **Shah M. Musa**, 2200 Monroe St., No.
709, Santa Clara, Calif. 95050

Primary Examiner—Freda Nunn
Attorney, Agent, or Firm—C. Michael Zimmerman

[**] Term: **14 Years**

[57] **CLAIM**

[21] Appl. No.: **29/109,240**

The ornamental design for a digital information storage module simulating a book, as shown and described.

[22] Filed: **Aug. 11, 1999**

DESCRIPTION

[51] **LOC (7) Cl.** **14-02**

[52] **U.S. Cl.** **D14/345**

[58] **Field of Search** D14/345, 341,
D14/346; D19/26, 59, 60; 345/104, 156,
173, 168; 364/708.1; 434/307-309; 349/12;
178/18.03; D18/1, 7

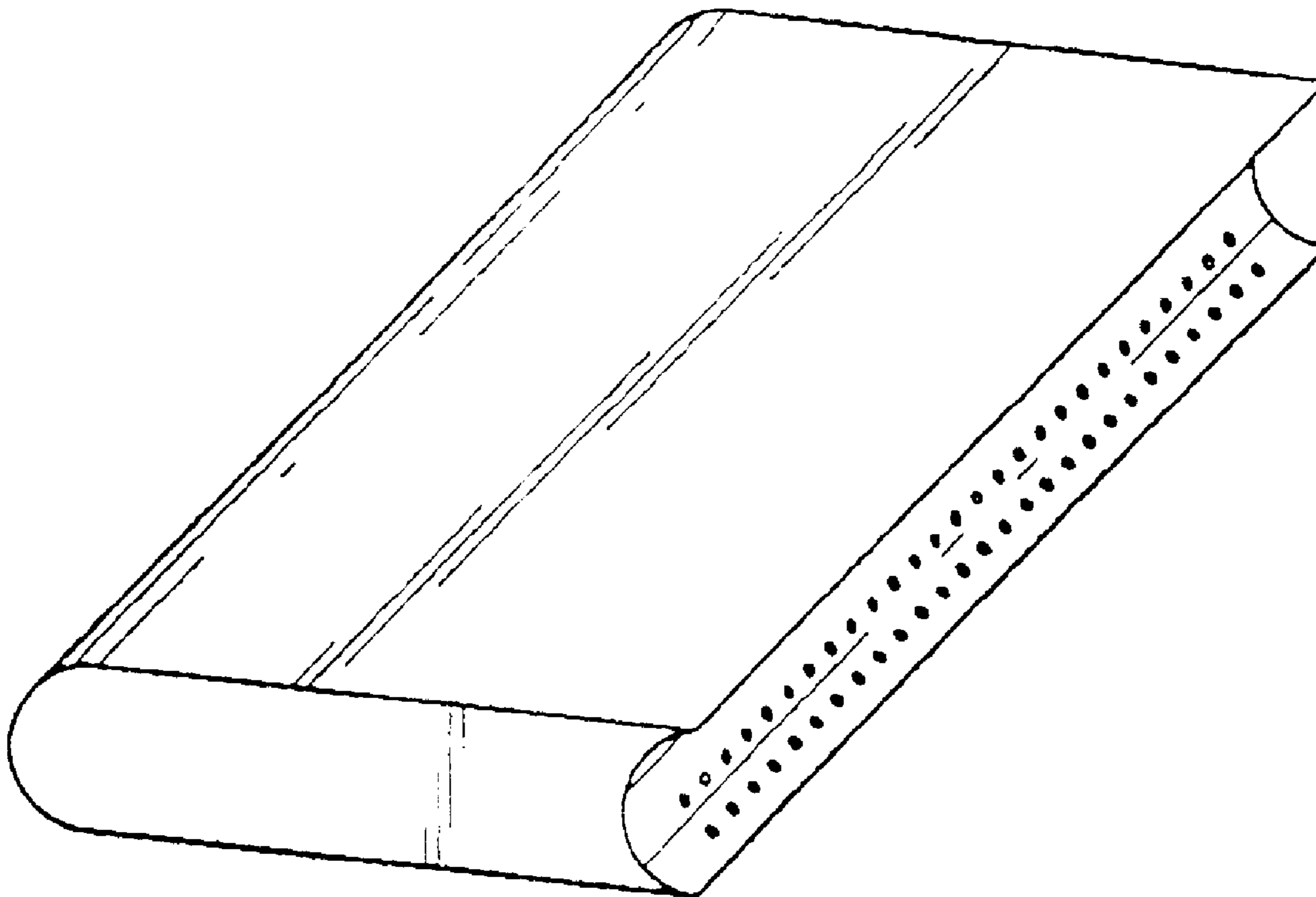
FIG. 1 is an isometric view of my new design for a digital information storage module simulating a book;
FIG. 2 is a top elevation view of my design shown in FIG. 1, it being understood that the bottom is the same;
FIG. 3 is an end elevation view of my design shown in FIG. 1, it being understood that both ends are the same;
FIG. 4 is an elevation view of one side of my design shown in FIG. 1; and,
FIG. 5 is an elevation view of the other side of my design shown in FIG. 1.

[56] **References Cited**

U.S. PATENT DOCUMENTS

D. 284,966 8/1986 Larkins D14/345
D. 302,549 8/1989 Wright D14/345
D. 318,859 8/1991 Hollis D14/345

1 Claim, 1 Drawing Sheet



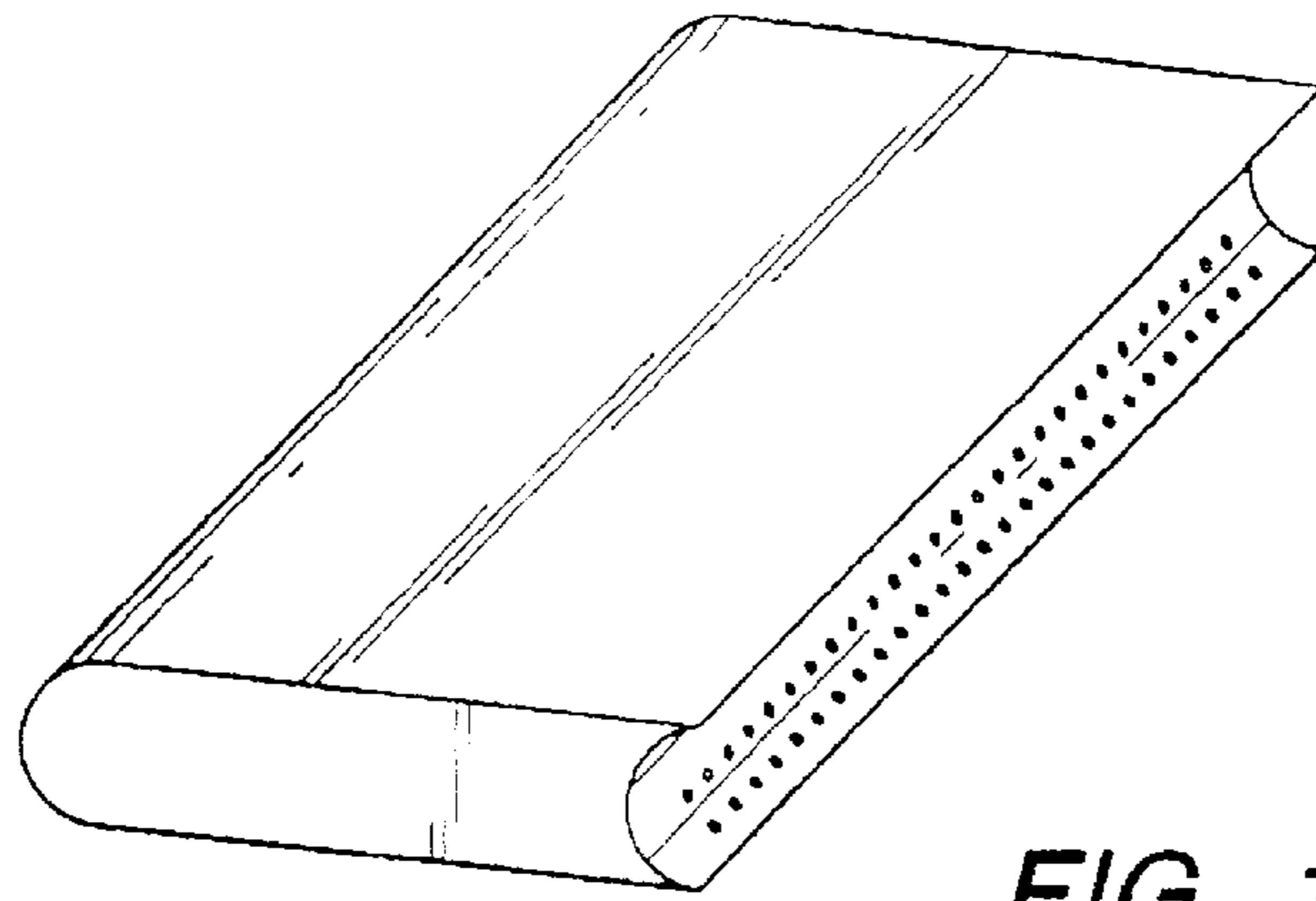


FIG. 1

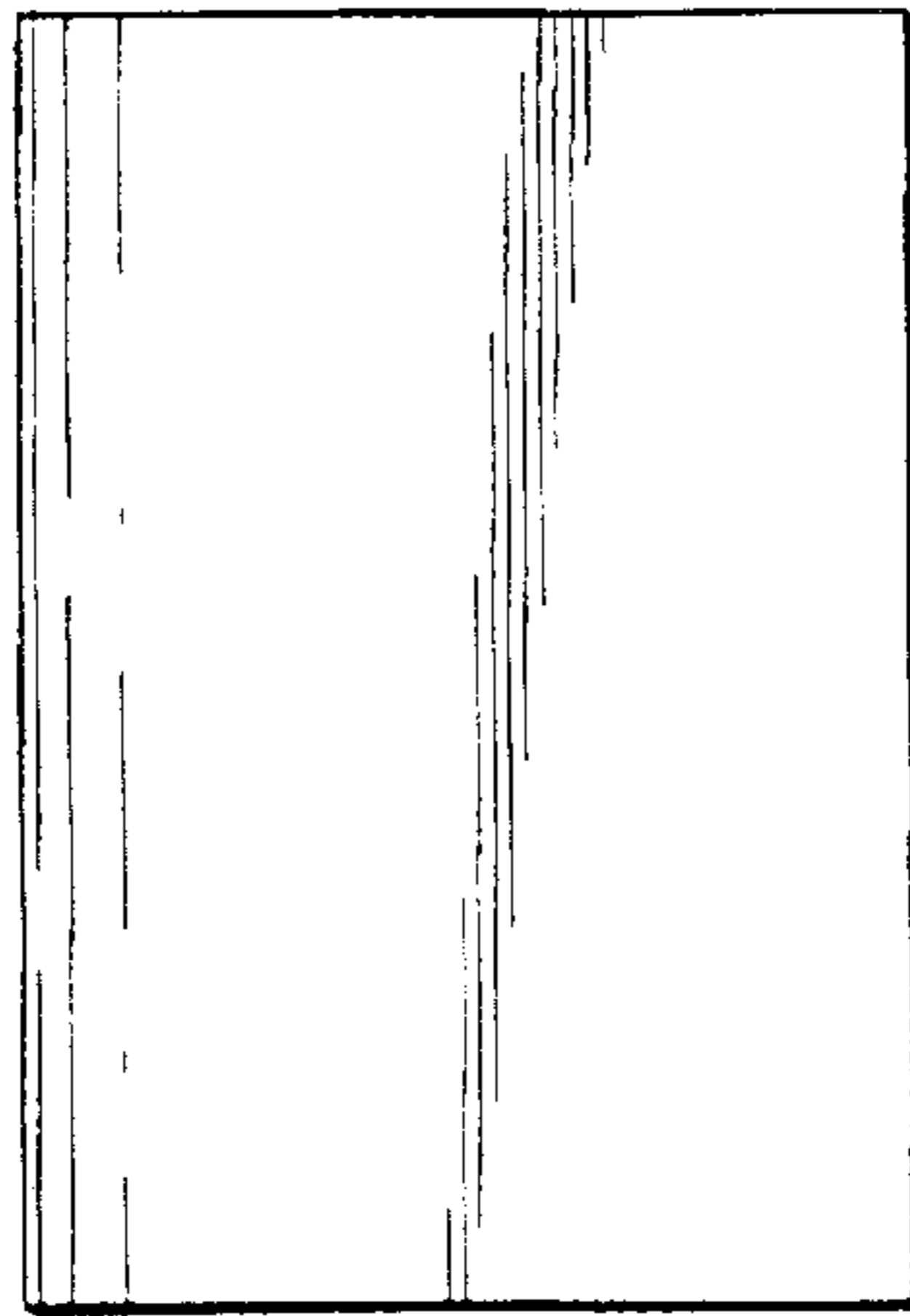


FIG. 2



FIG. 3

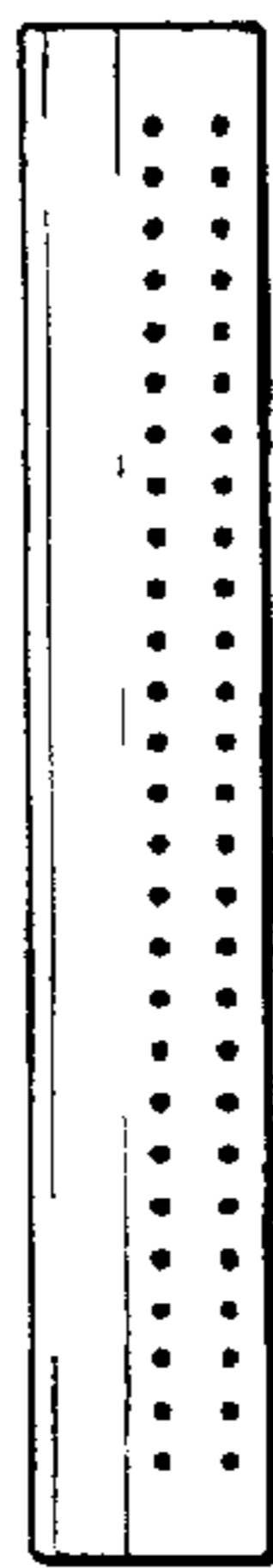


FIG. 4



FIG. 5