



US00D428881S

# United States Patent [19]

[11] Patent Number: **Des. 428,881**

Poole et al.

[45] Date of Patent: **\*\* Aug. 1, 2000**

[54] **INTEGRATED DESKTOP PERSONAL COMPUTER CENTRAL PROCESSING UNIT AND MONITOR**

[76] Inventors: **Anton Poole**, 294 Levee Tr.; **Yutaka Kazamaki**, 260 Courtyard Dr., Apt. #112, both of Dakota Dunes; **Elisa Zappacosta**, P.O. Box 1472, N. Sioux City, all of S. Dak. 57049; **Robert Brunner**, 19056 Montana Dr., Los Gatos, Calif. 95030; **Benjamin Pei-Ming Chia**, 20010 Forest Ave., Cupertino, Calif. 95014; **Christopher Nicholas Lenart**, 554 Hayes St., Apt. #1, San Francisco, Calif. 94117

[\*\*] Term: **14 Years**

[21] Appl. No.: **29/111,685**

[22] Filed: **Oct. 2, 1999**

[51] **LOC (7) Cl.** ..... **14-02**

[52] **U.S. Cl.** ..... **D14/337**

[58] **Field of Search** ..... D14/126-129, D14/337, 379; 345/104, 133, 156, 168; 348/180, 184, 325; 341/12; 349/1, 2, 11, 62

- D. 361,550 8/1995 Mundt ..... D14/337
- D. 368,254 3/1996 Meschter et al. .... D14/337
- D. 370,466 6/1996 Vossoughi .
- D. 370,897 6/1996 Lin .
- D. 372,900 8/1996 Nakada et al. .... D14/337
- D. 379,805 6/1997 Ratzlaff .
- D. 383,444 9/1997 Han ..... D14/337
- D. 398,591 9/1998 Back .
- D. 413,105 8/1999 Coster .
- D. 414,471 8/1999 Poole et al. .... D14/126 X

*Primary Examiner*—Freda Nunn  
*Attorney, Agent, or Firm*—Anthony Claiborne

## [57] CLAIM

The ornamental design for an integrated desktop personal computer central processing unit and monitor, as shown.

## DESCRIPTION

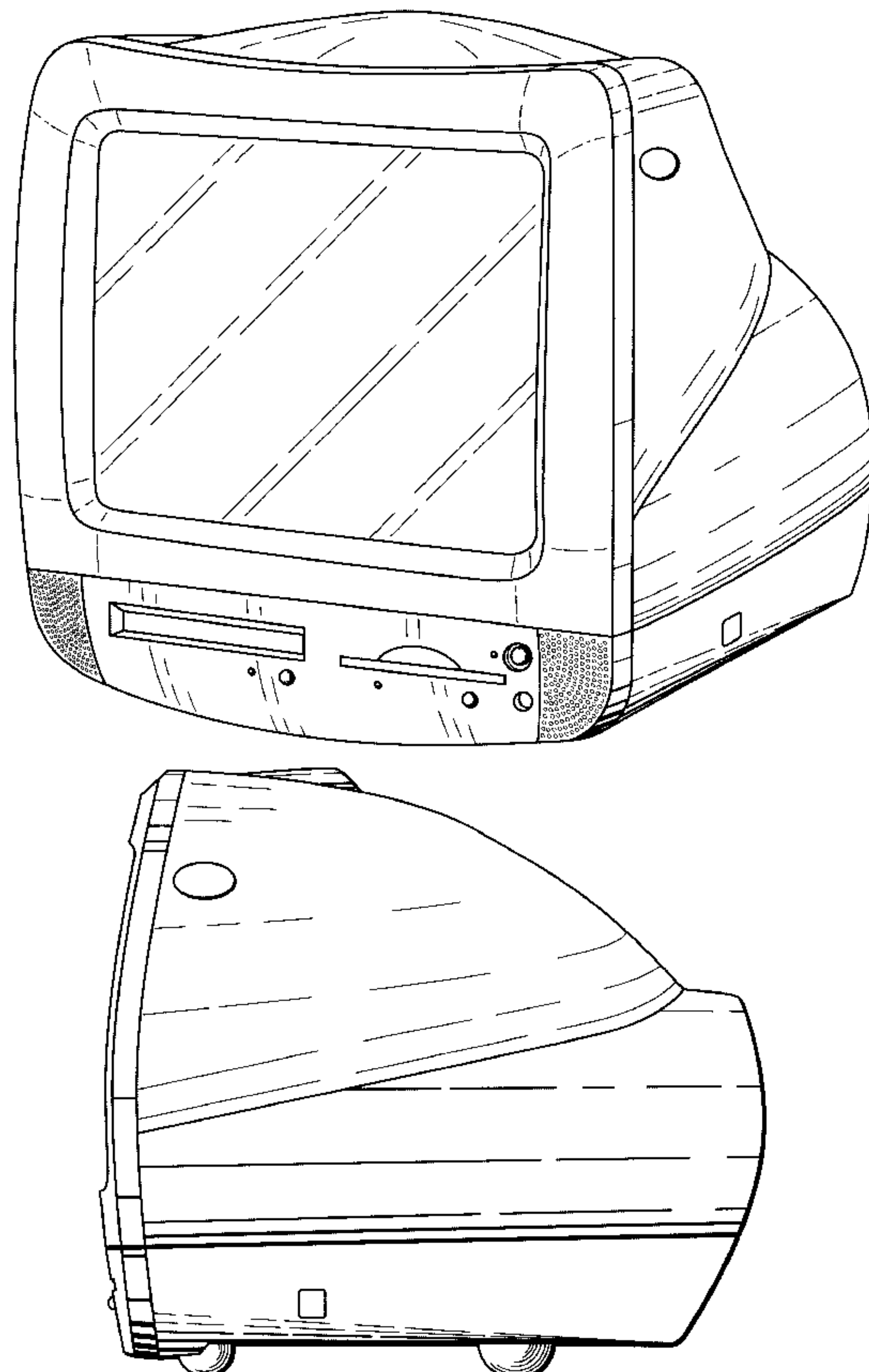
FIG. 1 is a front side perspective view of an integrated desktop personal computer central processing unit and monitor showing the design;  
FIG. 2 is a right side elevational view thereof;  
FIG. 3 is a left side elevational view thereof;  
FIG. 4 is a front elevational view thereof;  
FIG. 5 is a rear elevational view thereof;  
FIG. 6 is a top plan view thereof; and,  
FIG. 7 is a bottom plan view thereof.

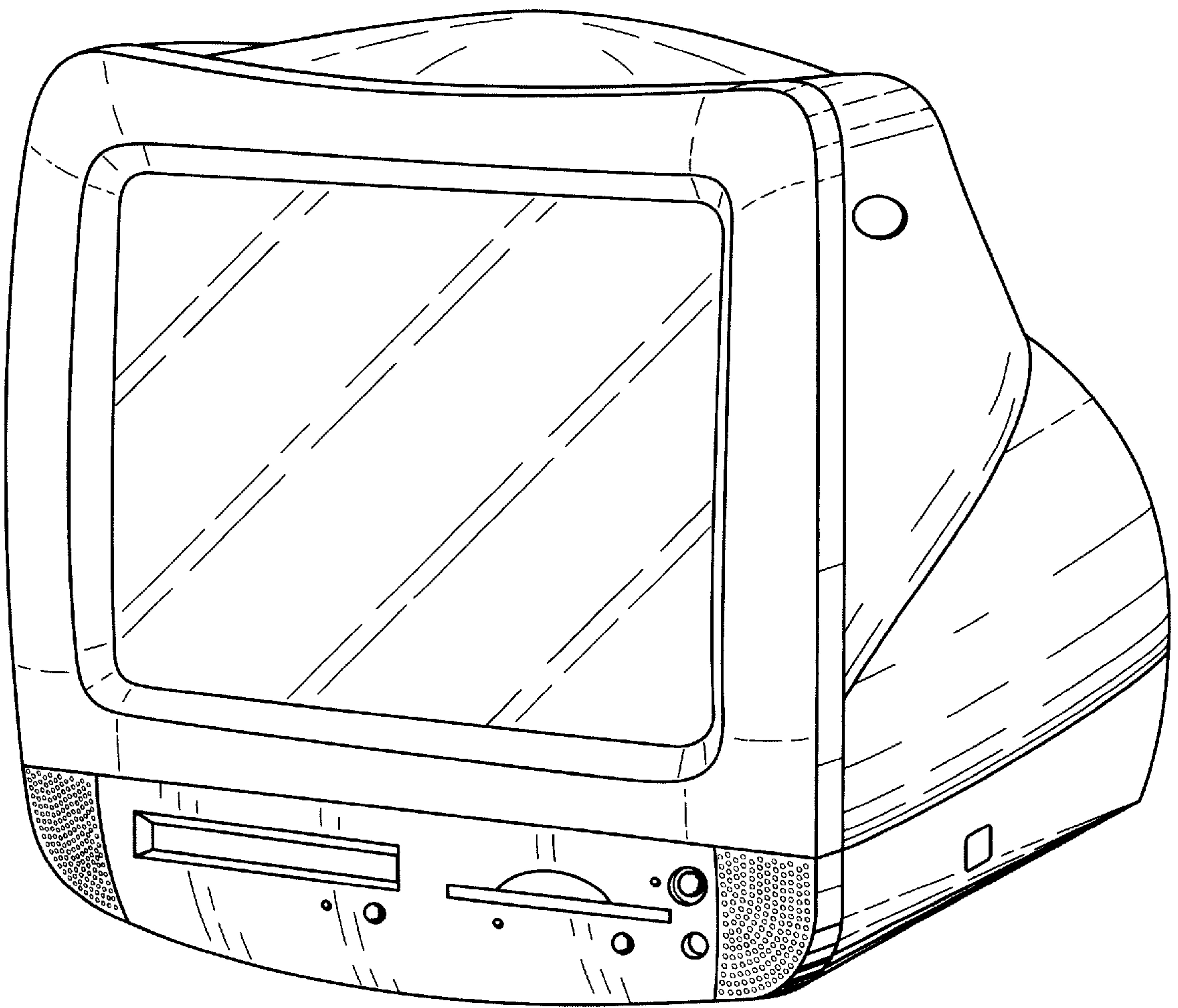
## [56] References Cited

### U.S. PATENT DOCUMENTS

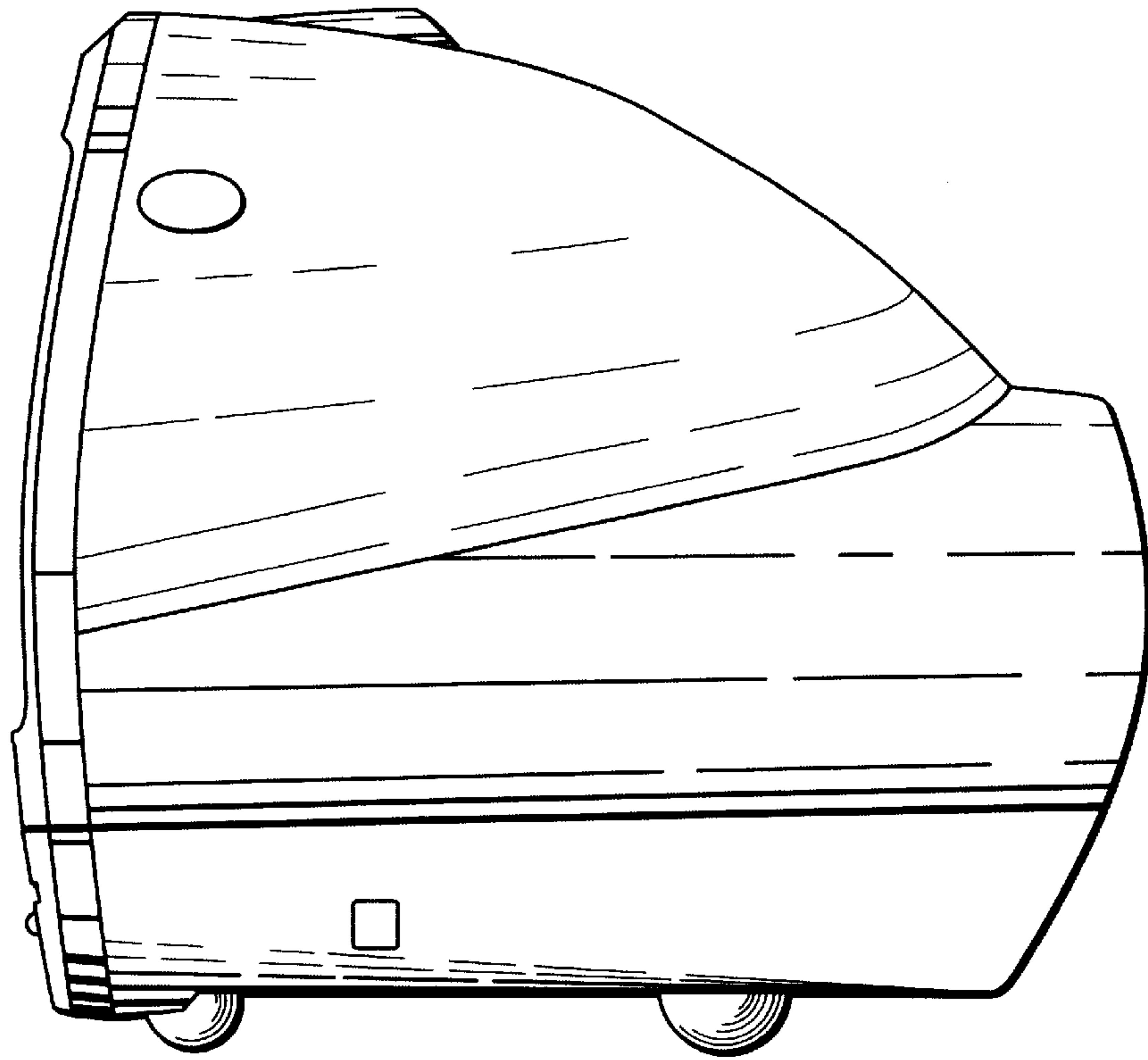
D. 355,167 2/1995 Barbera .

**1 Claim, 6 Drawing Sheets**

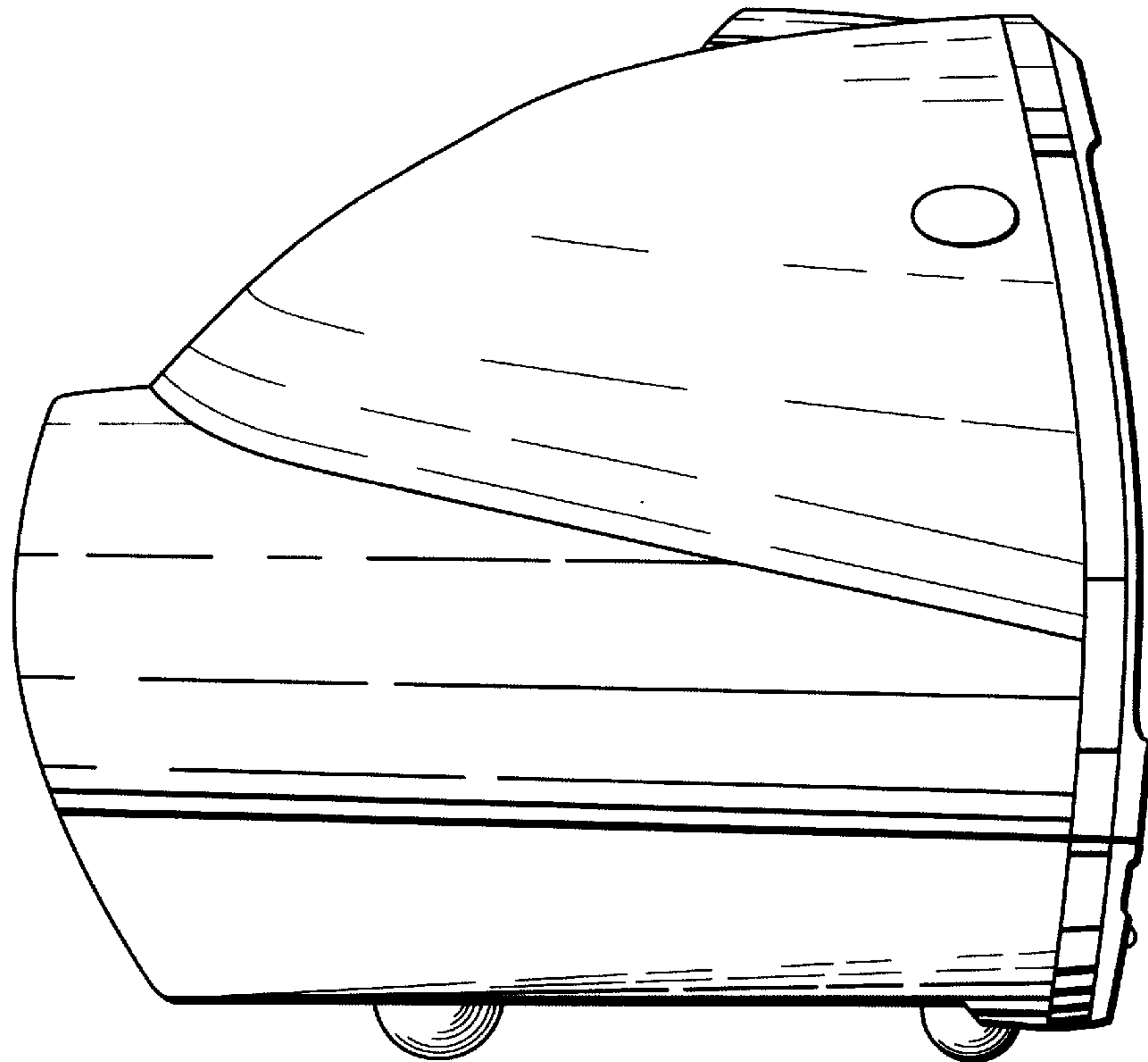




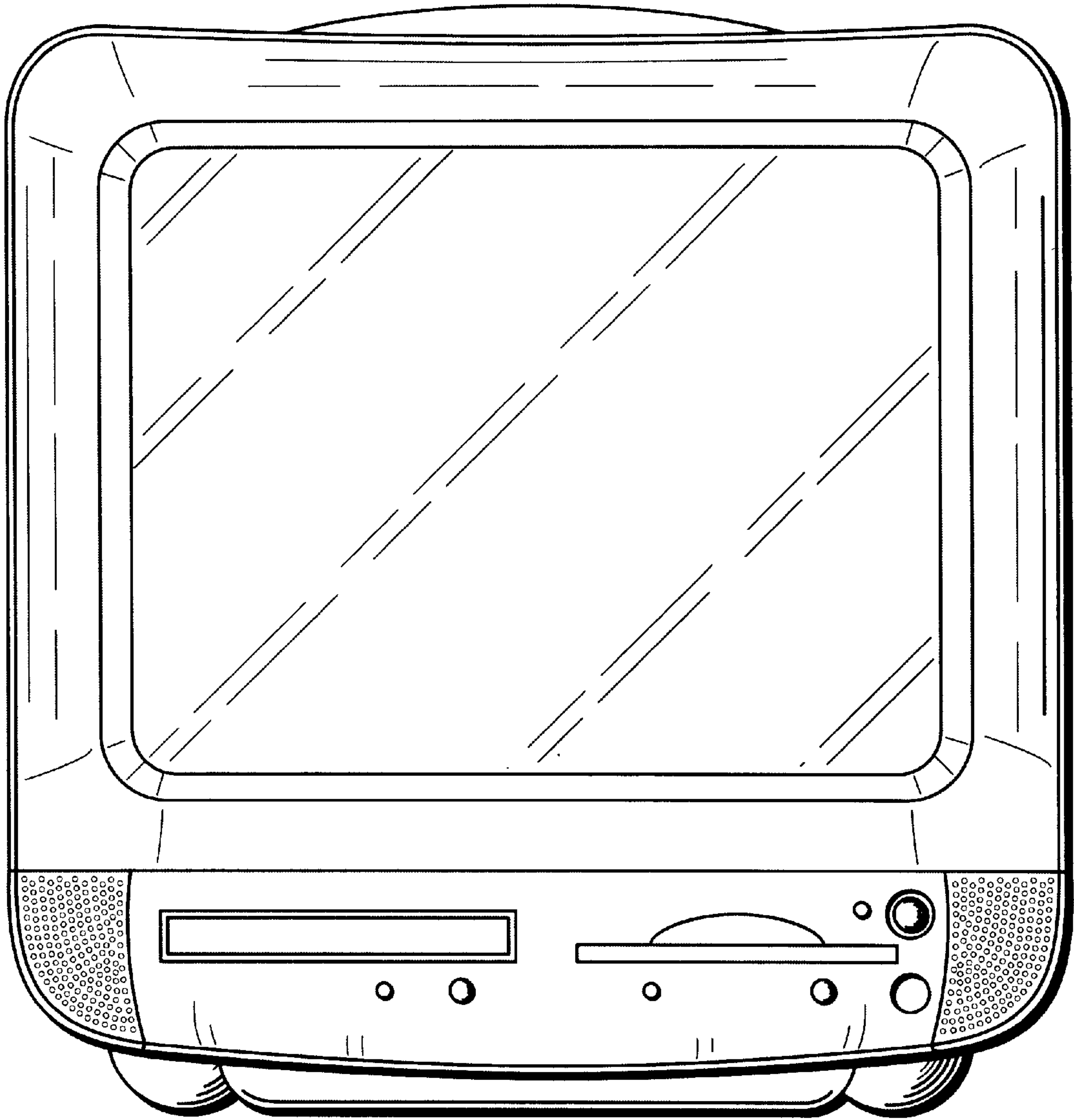
**FIG. 1**



**FIG. 2**

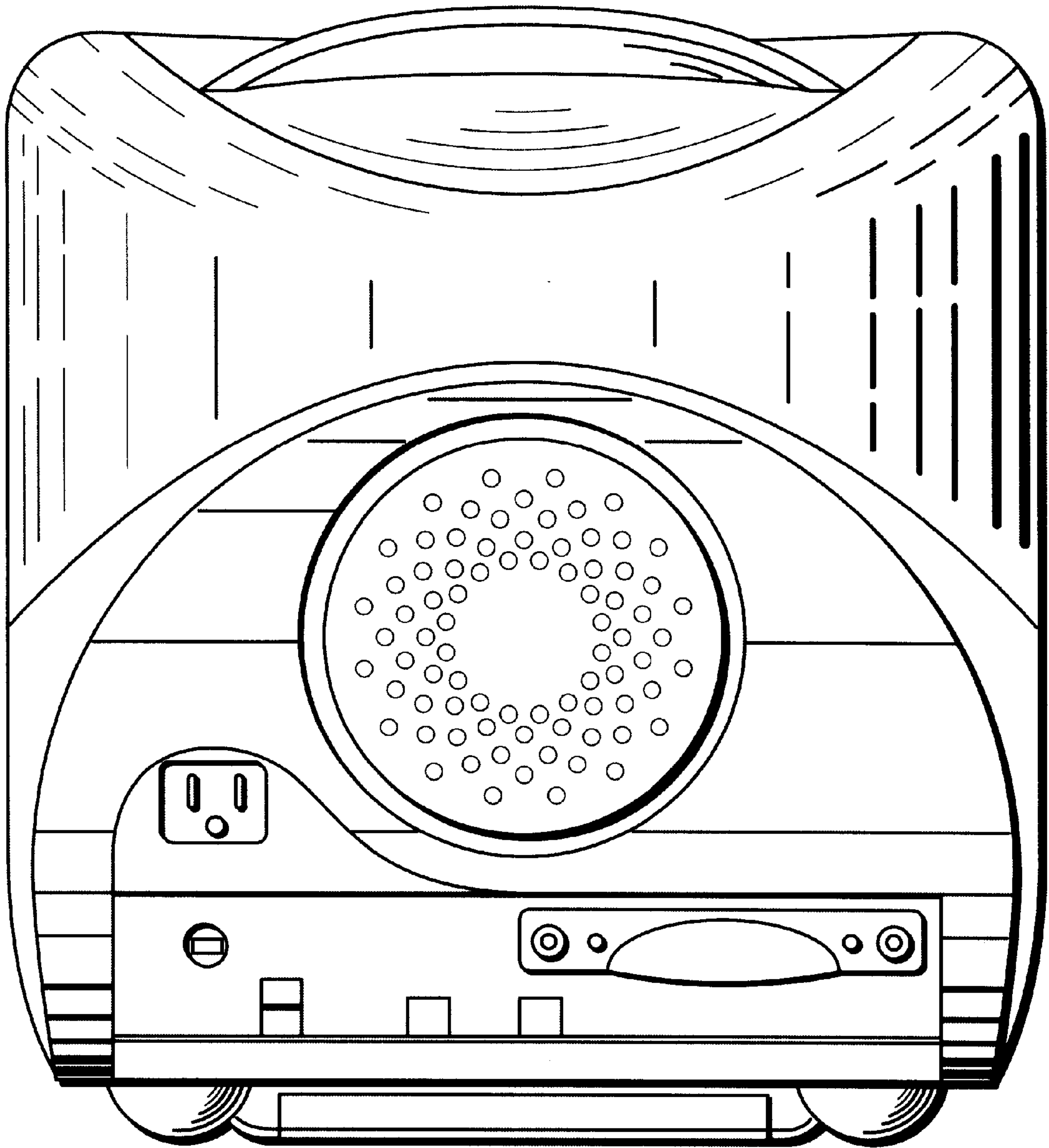


**FIG. 3**

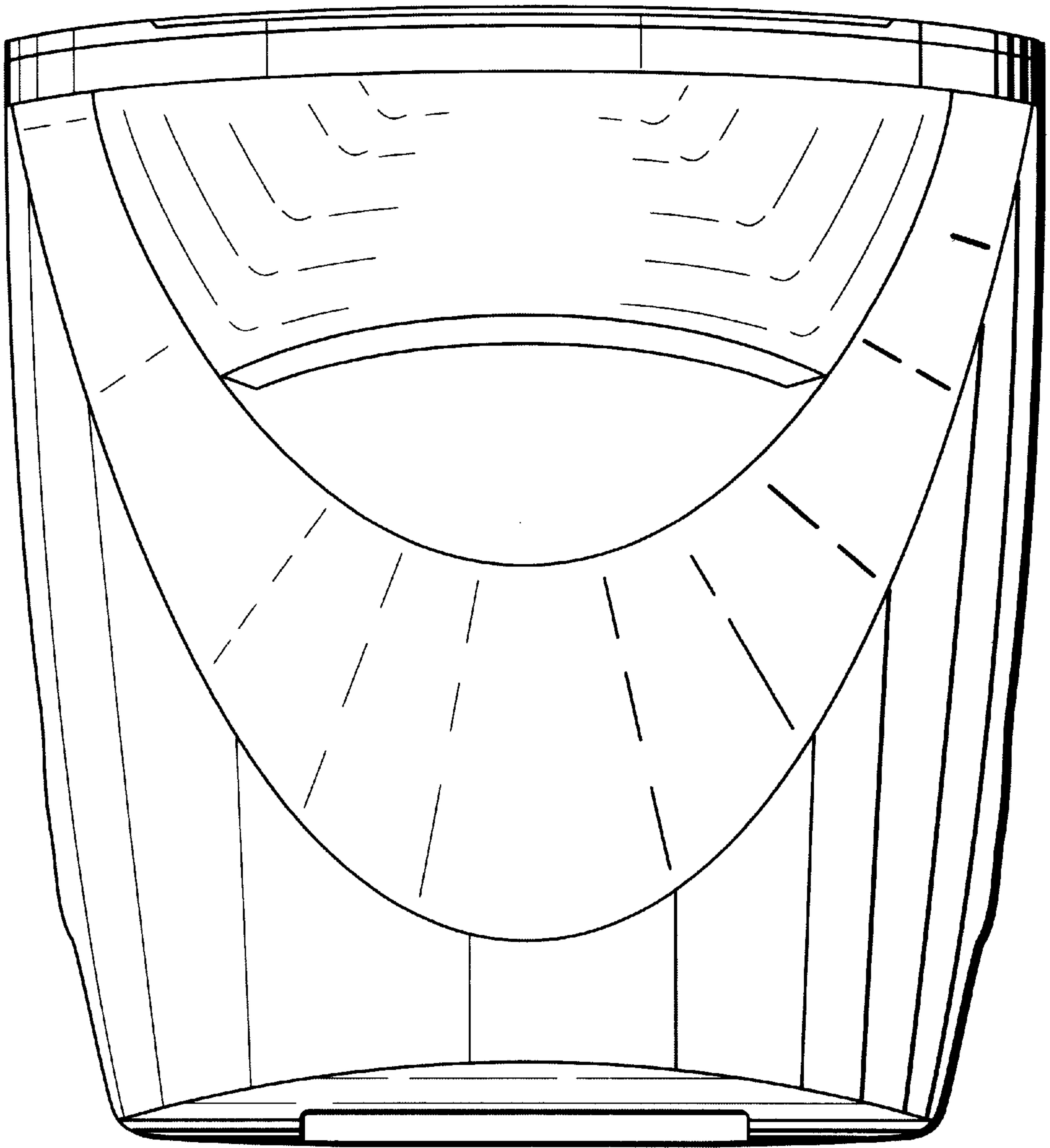


**FIG. 4**

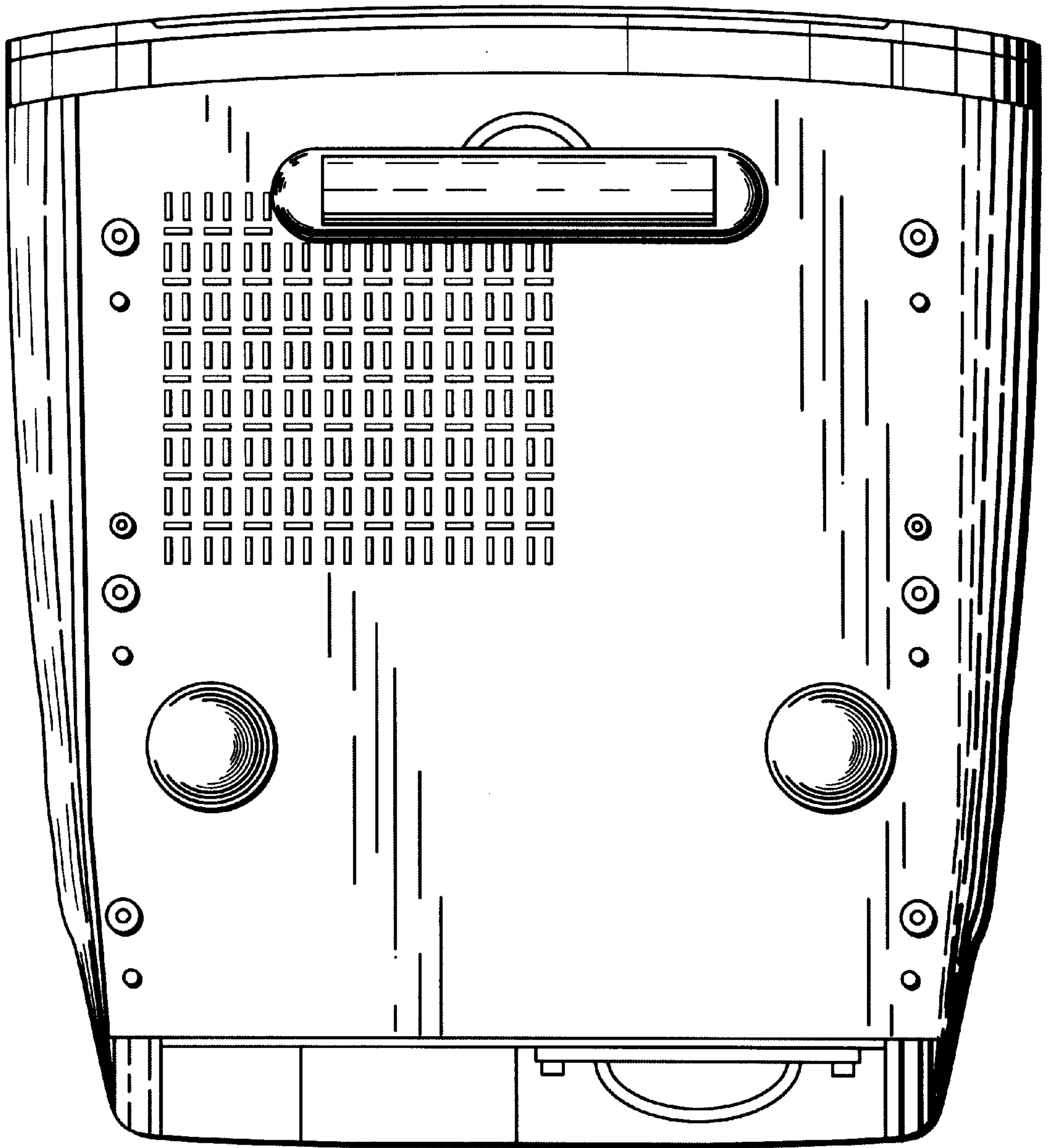




**FIG. 5**



**FIG. 6**



**FIG. 7**