



US00D428880S

United States Patent [19] Du

[11] **Patent Number: Des. 428,880**

[45] **Date of Patent: ** Aug. 1, 2000**

[54] **PERSONAL DIGITAL COMPUTER**

[75] Inventor: **Sing-Long Du**, Taipei, Taiwan

[73] Assignee: **Askey Computer Corp.**, Taipei, Taiwan

[**] Term: **14 Years**

[21] Appl. No.: **29/108,680**

[22] Filed: **Aug. 3, 1999**

[51] **LOC (7) Cl.** **14-02**

[52] **U.S. Cl.** **D14/314; D14/375**

[58] **Field of Search** D14/300, 301,
D14/305, 314, 375, 376, 379, 126-129;
345/104, 133, 156, 168, 173; 248/917-924;
348/180, 184, 325, 739

[56] **References Cited**

U.S. PATENT DOCUMENTS

D. 348,657 7/1994 Matsuda D14/375
D. 410,441 6/1999 Lin D14/314

Primary Examiner—Freda Nunn
Attorney, Agent, or Firm—Browdy and Neimark

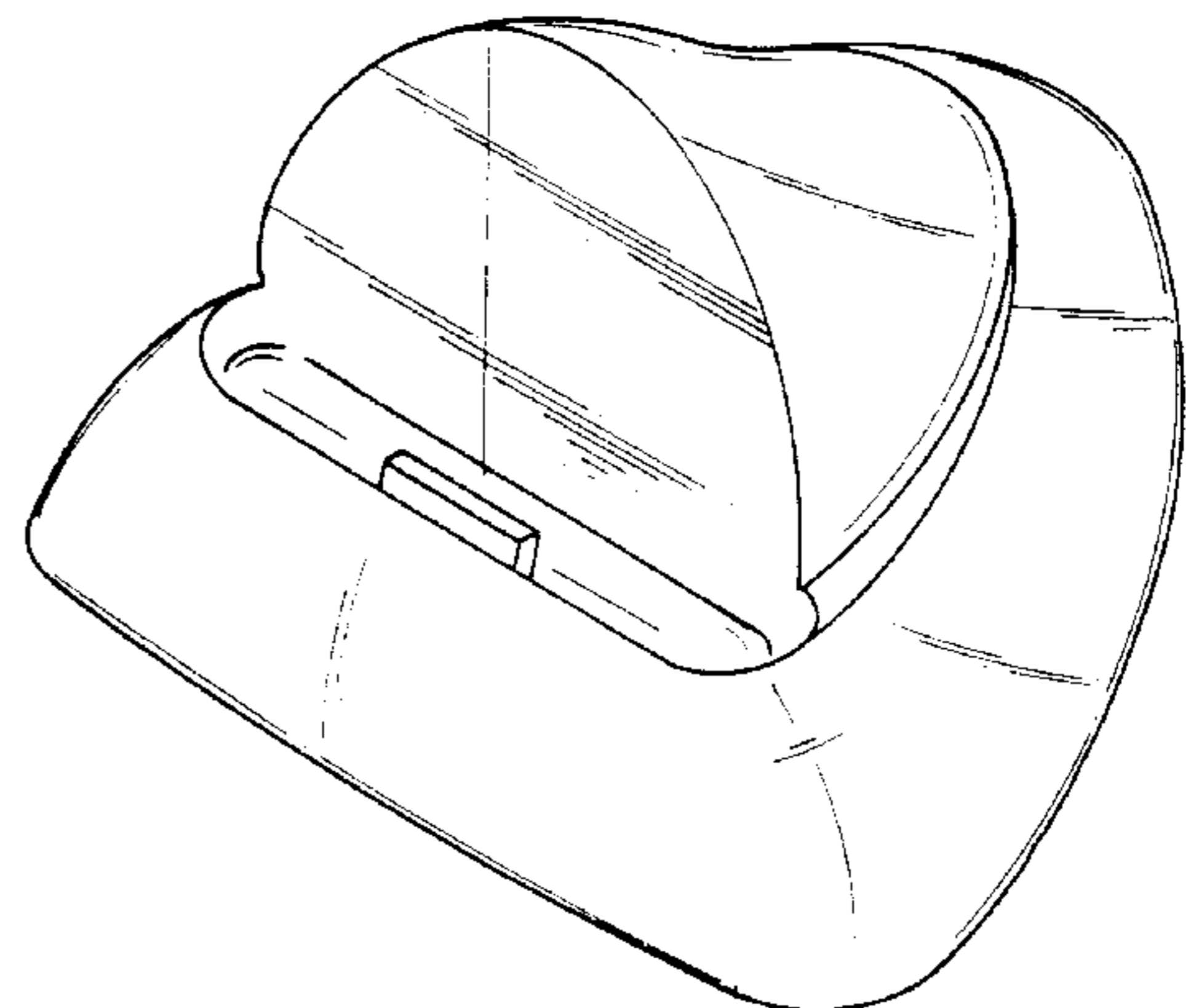
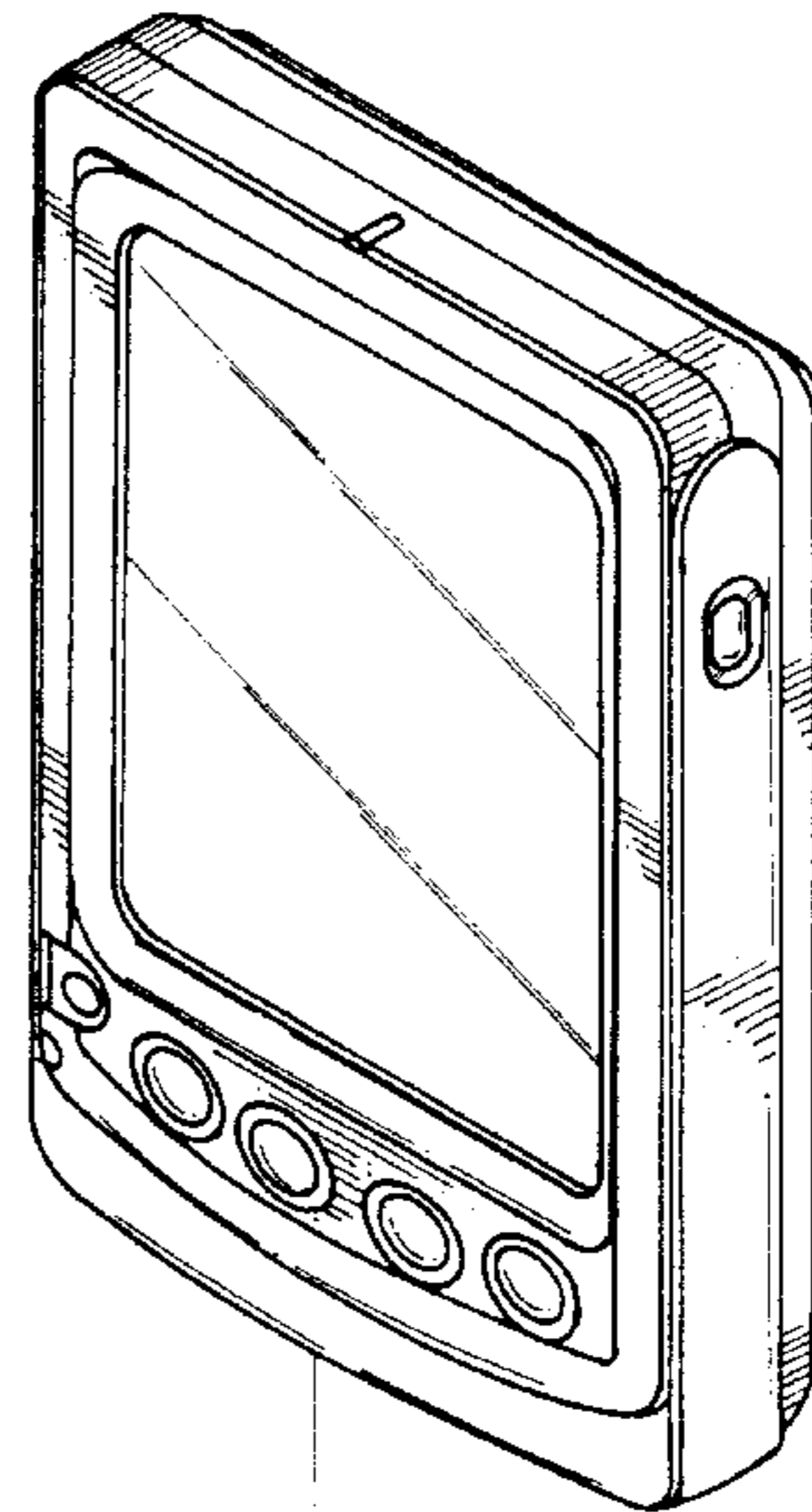
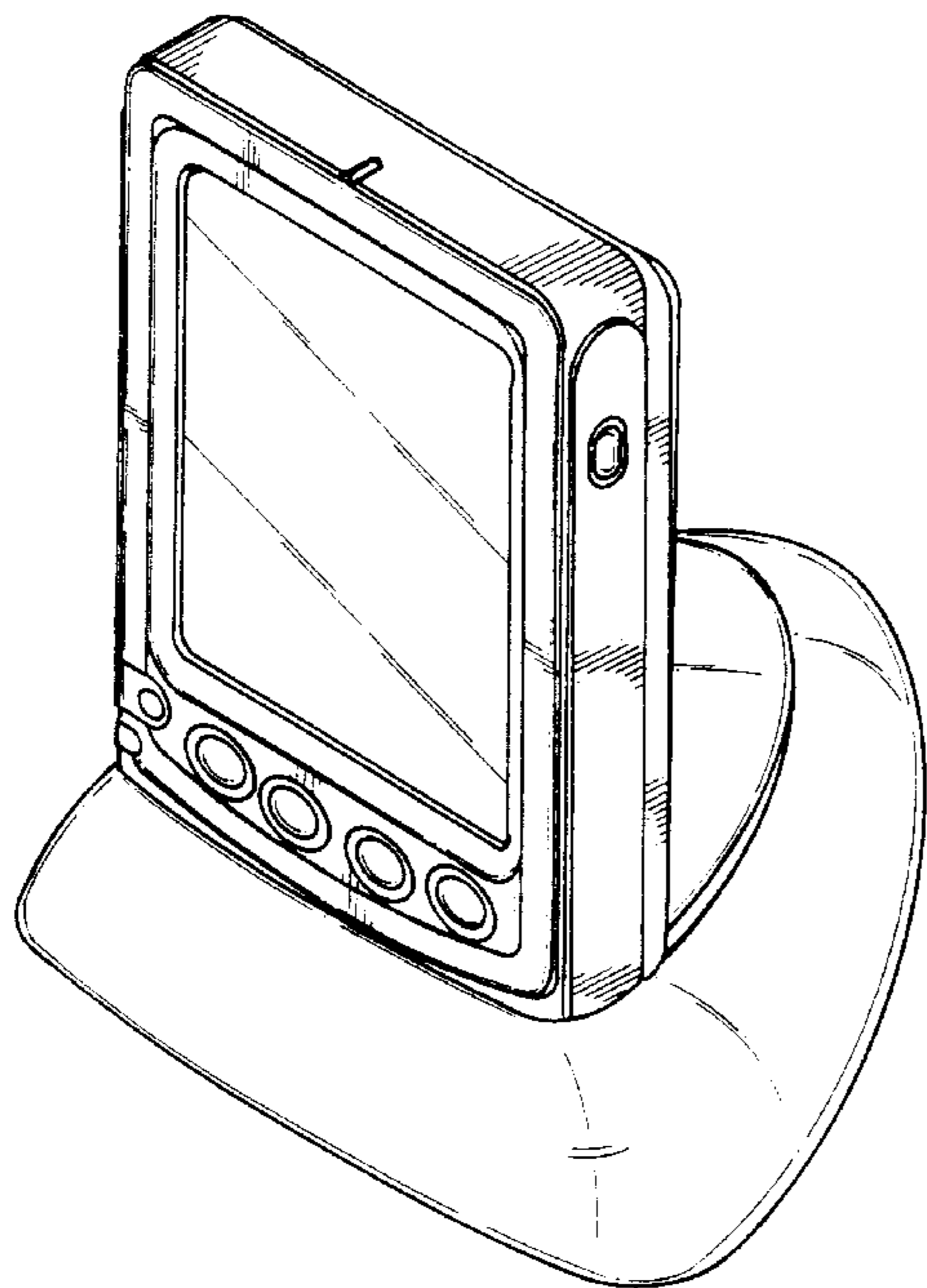
[57] **CLAIM**

The ornamental design for a personal digital computer, as shown and described.

DESCRIPTION

FIG. 1 shows a perspective view of a personal digital computer;
FIG. 2 shows a right elevational view of the present invention;
FIG. 3 shows a top plan view of the present invention;
FIG. 4 shows a front elevational view of the present invention;
FIG. 5 shows a bottom plan view of the present invention;
FIG. 6 shows a left elevational view of the present invention;
FIG. 7 shows a rear elevational view of the present invention; and,
FIG. 8 is a perspective view showing separation of the display from the base of the present invention.

1 Claim, 5 Drawing Sheets



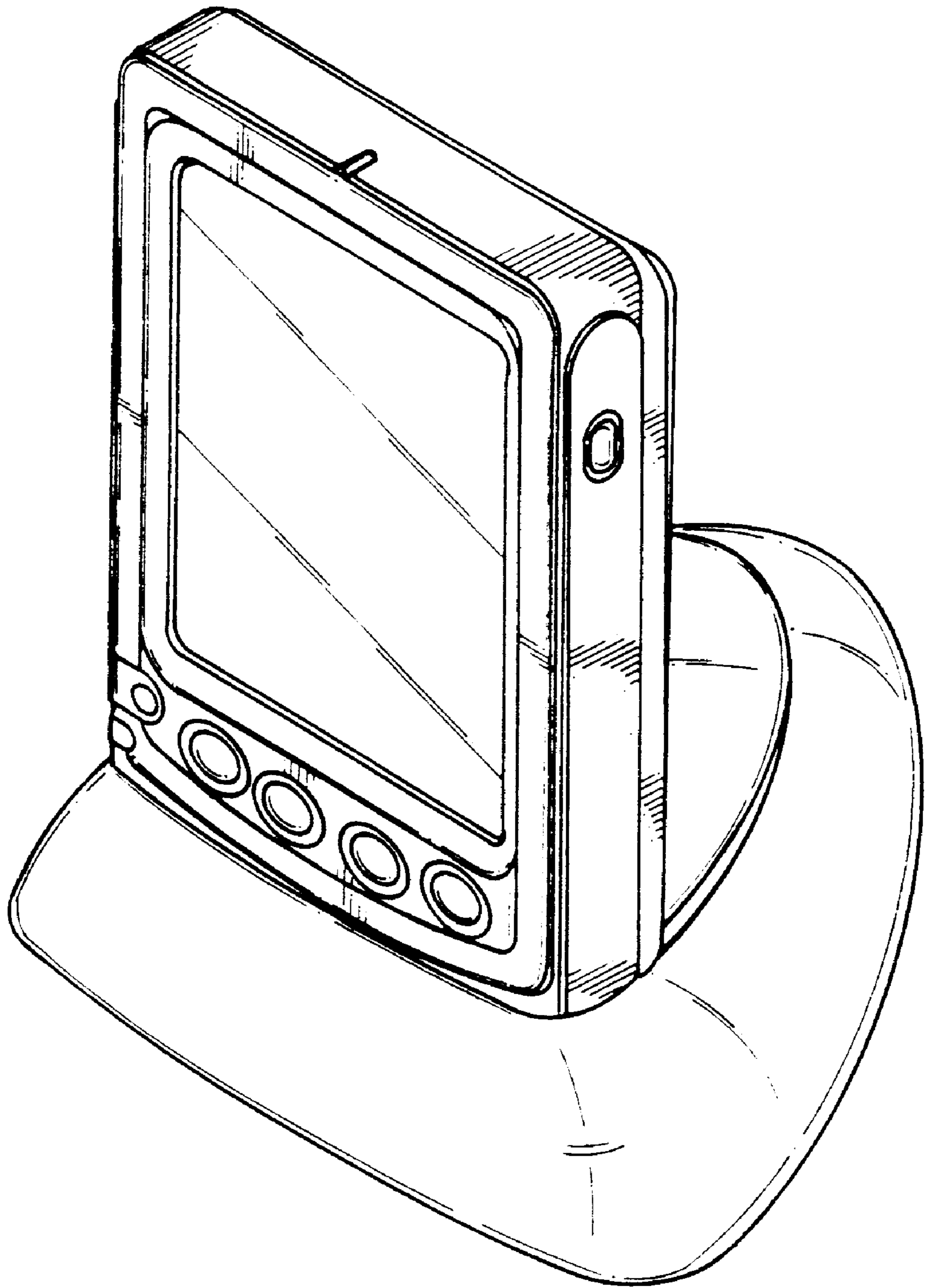


FIG. 1

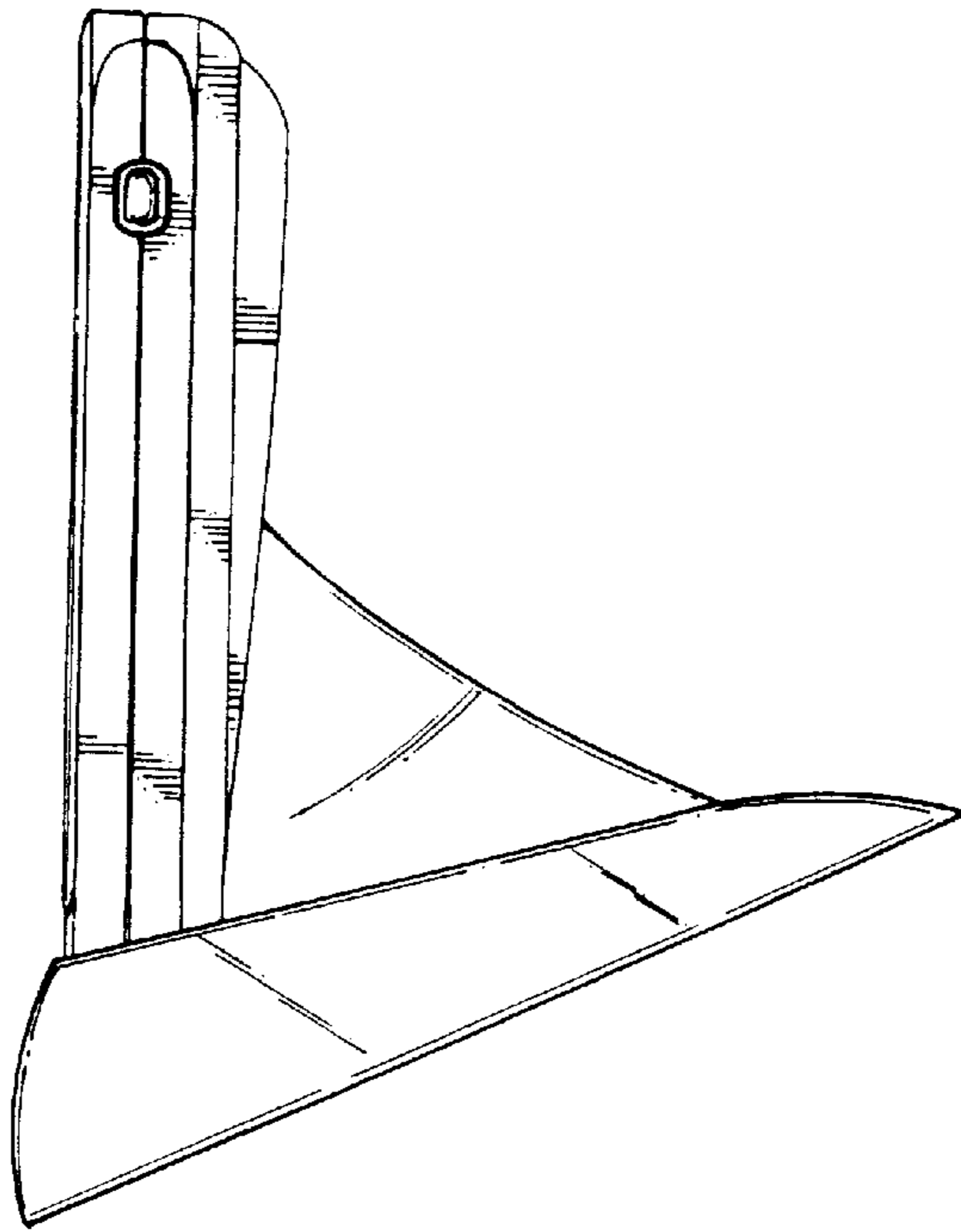


FIG. 2

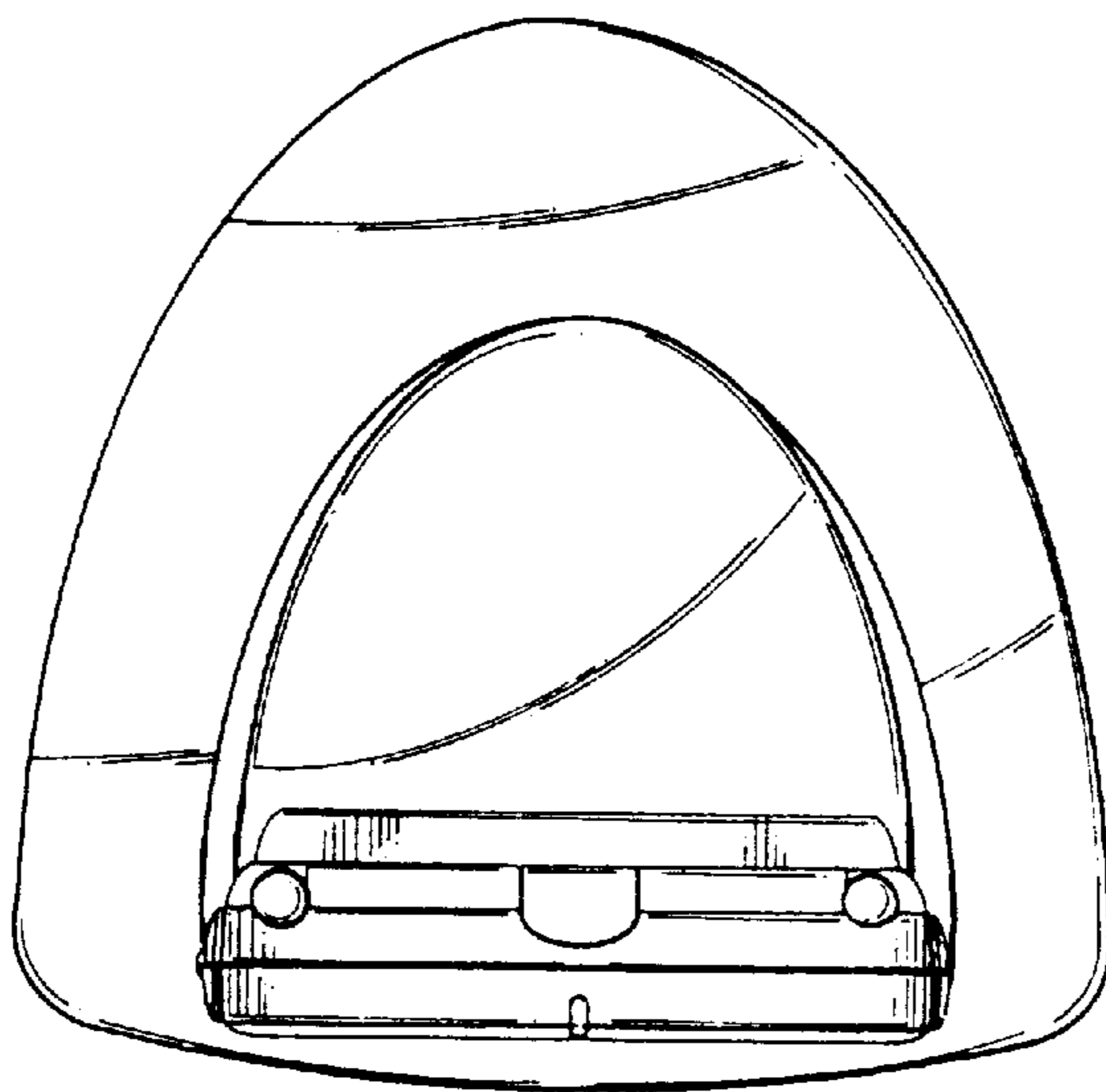


FIG. 3

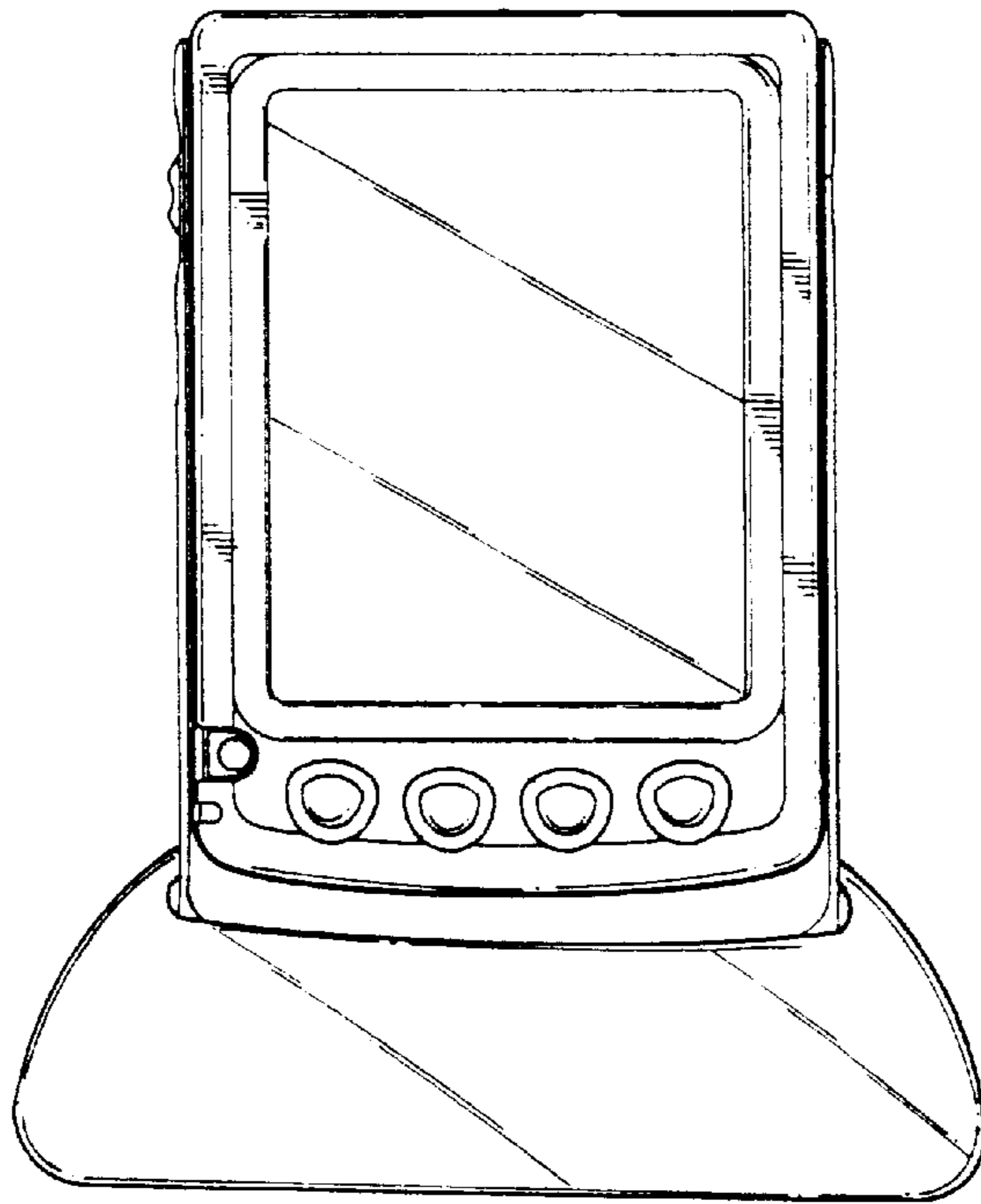


FIG. 4

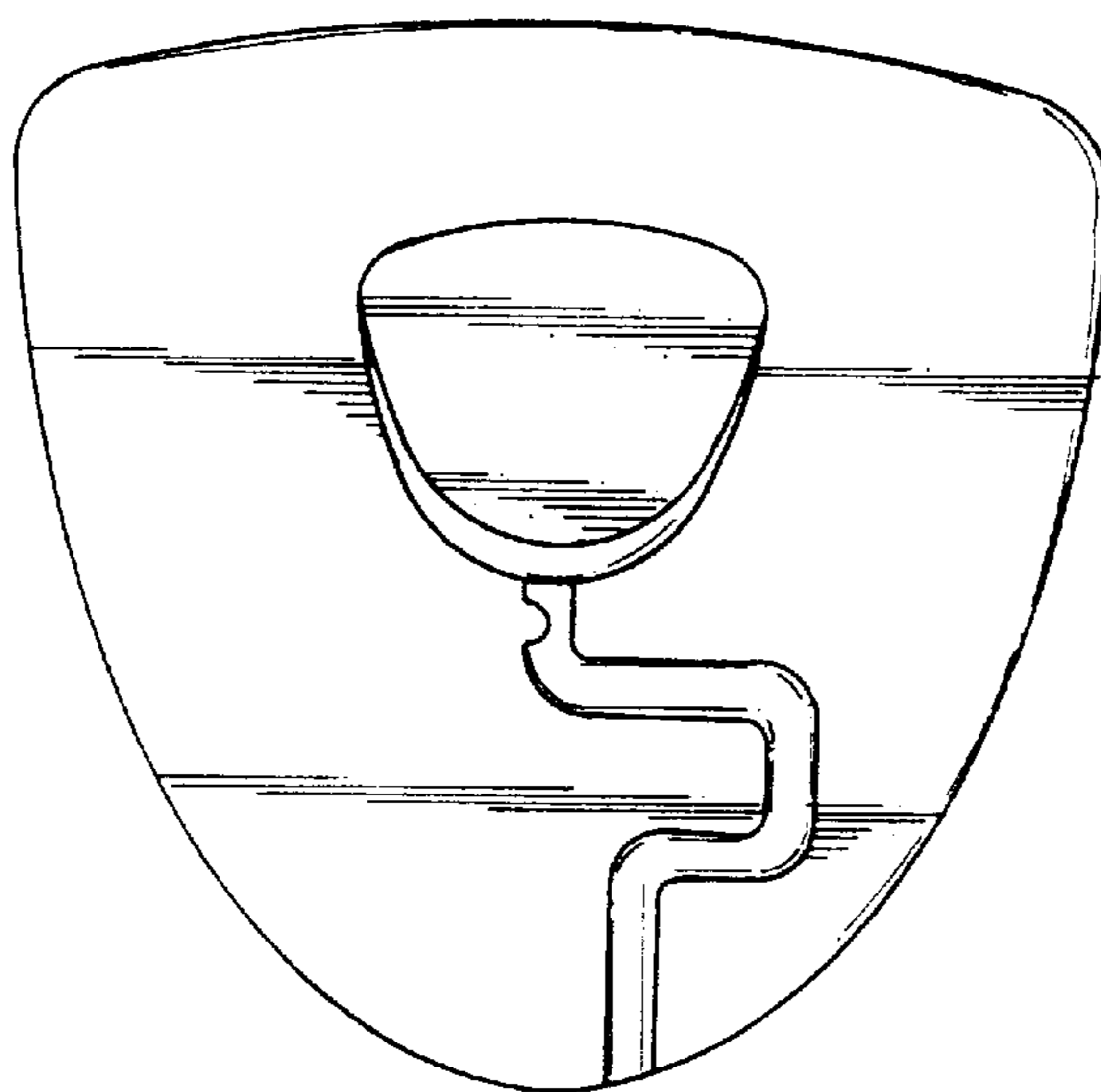


FIG. 5

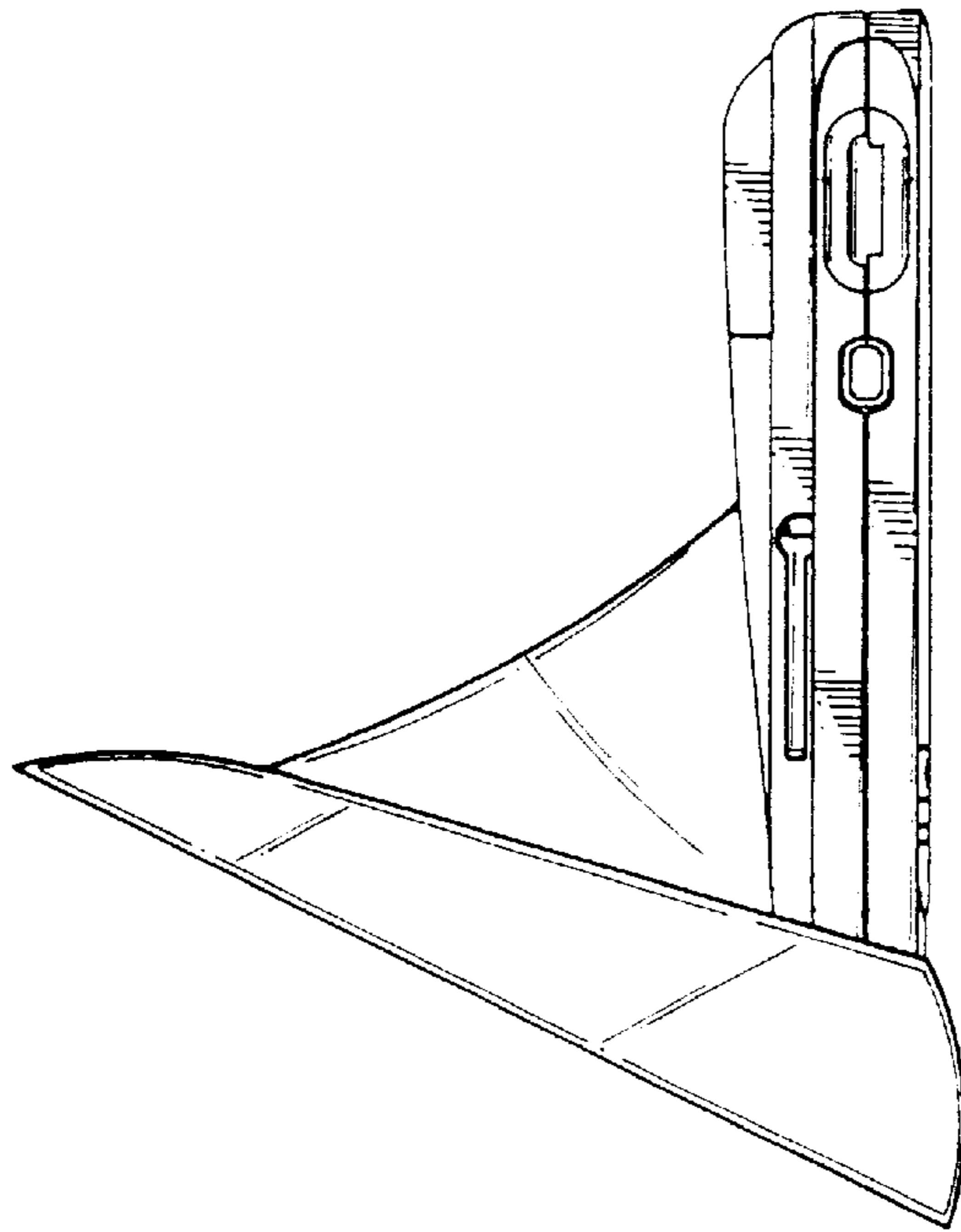


FIG. 6

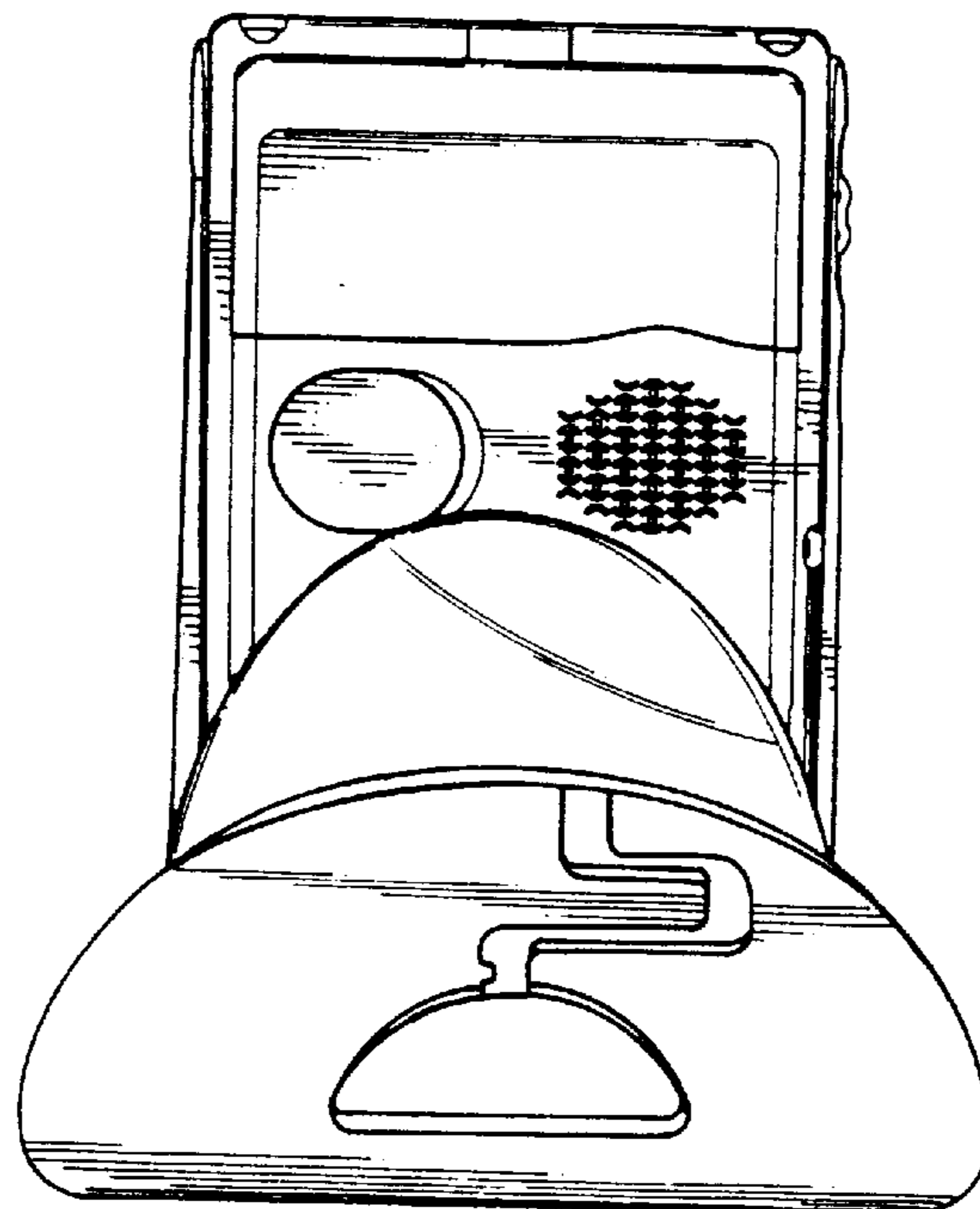


FIG. 7

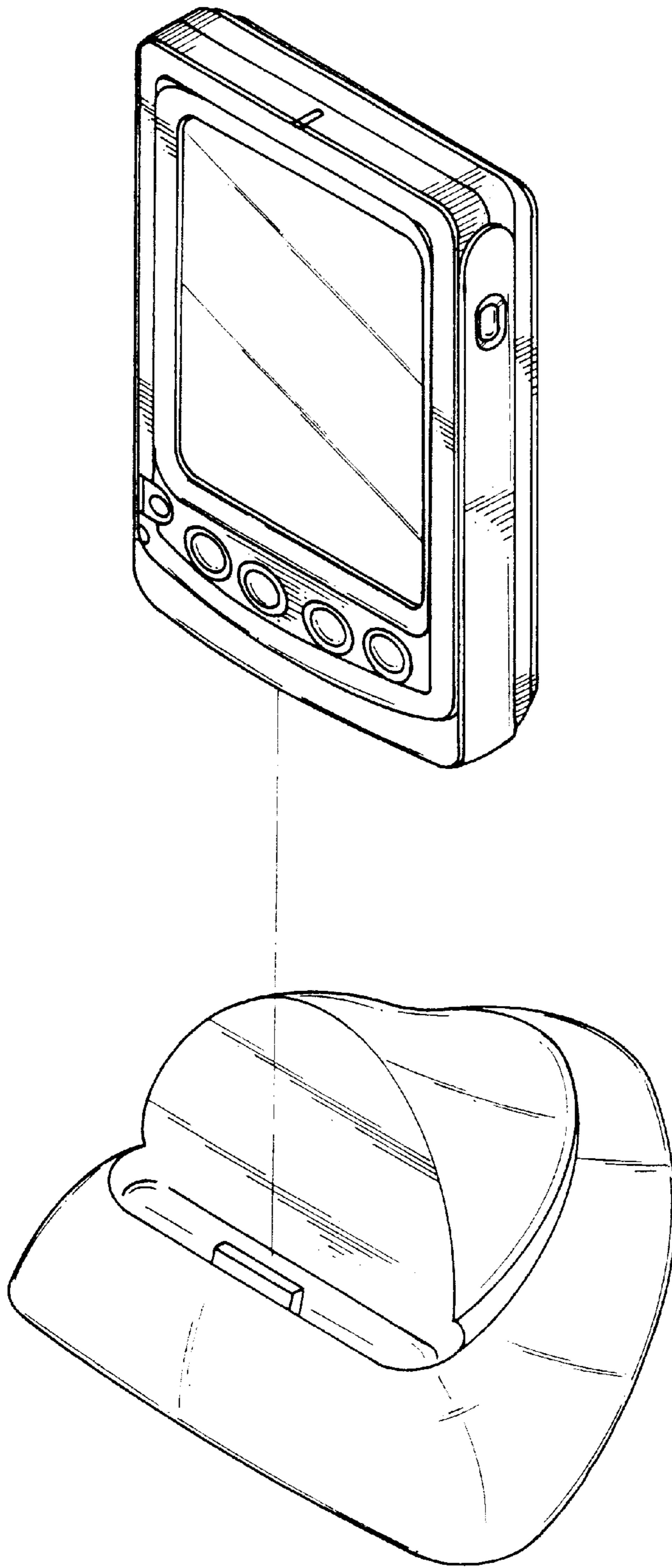


FIG. 8