



US00D428877S

United States Patent [19]

Shimose et al.

[11] Patent Number: **Des. 428,877**

[45] Date of Patent: **** Aug. 1, 2000**

[54] **COMBINED TELEVISION RECEIVER AND DIGITAL VIDEODISK PLAYER WITH VIDEOTAPE RECORDER**

[75] Inventors: **Norihiko Shimose; Masaki Takemoto; Masaaki Goto**, all of Ehime, Japan

[73] Assignee: **Matsushita Electric Industrial Co., Ltd.**, Japan

[**] Term: **14 Years**

[21] Appl. No.: **29/112,510**

[22] Filed: **Oct. 18, 1999**

[30] **Foreign Application Priority Data**

Apr. 22, 1999 [JP] Japan 11-10902

[51] **LOC (7) Cl.** **14-03**

[52] **U.S. Cl.** **D14/239; D14/129**

[58] **Field of Search** D14/129, 135, D14/136, 239; 348/552; 369/75.1, 77.1, 77.2; 386/81, 82, 125, 126

[56] **References Cited**

U.S. PATENT DOCUMENTS

- D. 310,363 9/1990 Shim D14/129
- D. 374,005 9/1996 Shimose et al. D14/129

OTHER PUBLICATIONS

Sony Model Nos. KV-25SVF1, KV-21SVF1, KV-21SVT1, KV-21MVT1, KV-14MVT1, KV-21MV1, KV-21VH1, catalogue issued Sep. 1998.

Toshiba Model No. 14V21, catalogue issued Nov. 1995.

Primary Examiner—Richelle Shelton

Attorney, Agent, or Firm—SAIDMAN DesignLaw Group

[57] **CLAIM**

The ornamental design for a combined television receiver and digital videodisk player with videotape recorder, as shown and described.

DESCRIPTION

FIG. 1 is a perspective view of the top, front and right side of a combined television receiver and digital videodisk player with videotape recorder showing our new design; FIG. 2 is a front view thereof; FIG. 3 is a right side view thereof; FIG. 4 is a top plan view thereof; FIG. 5 is a bottom view thereof; FIG. 6 is a rear view thereof; and, FIG. 7 is a left side view thereof. The broken line showing in FIGS. 1-7 is for illustrative purposes only and forms no part of the claimed design.

1 Claim, 4 Drawing Sheets

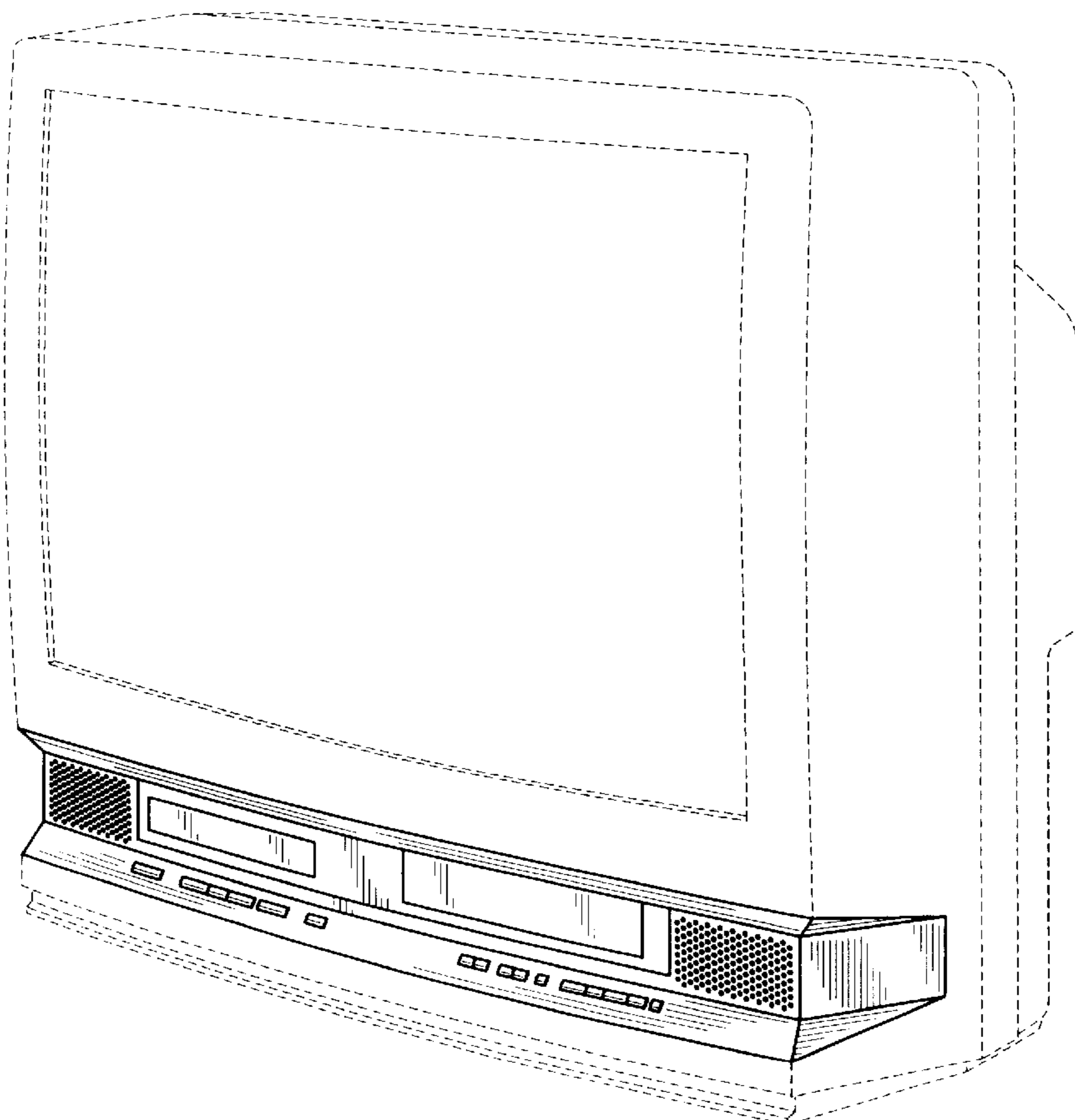


FIG. 1

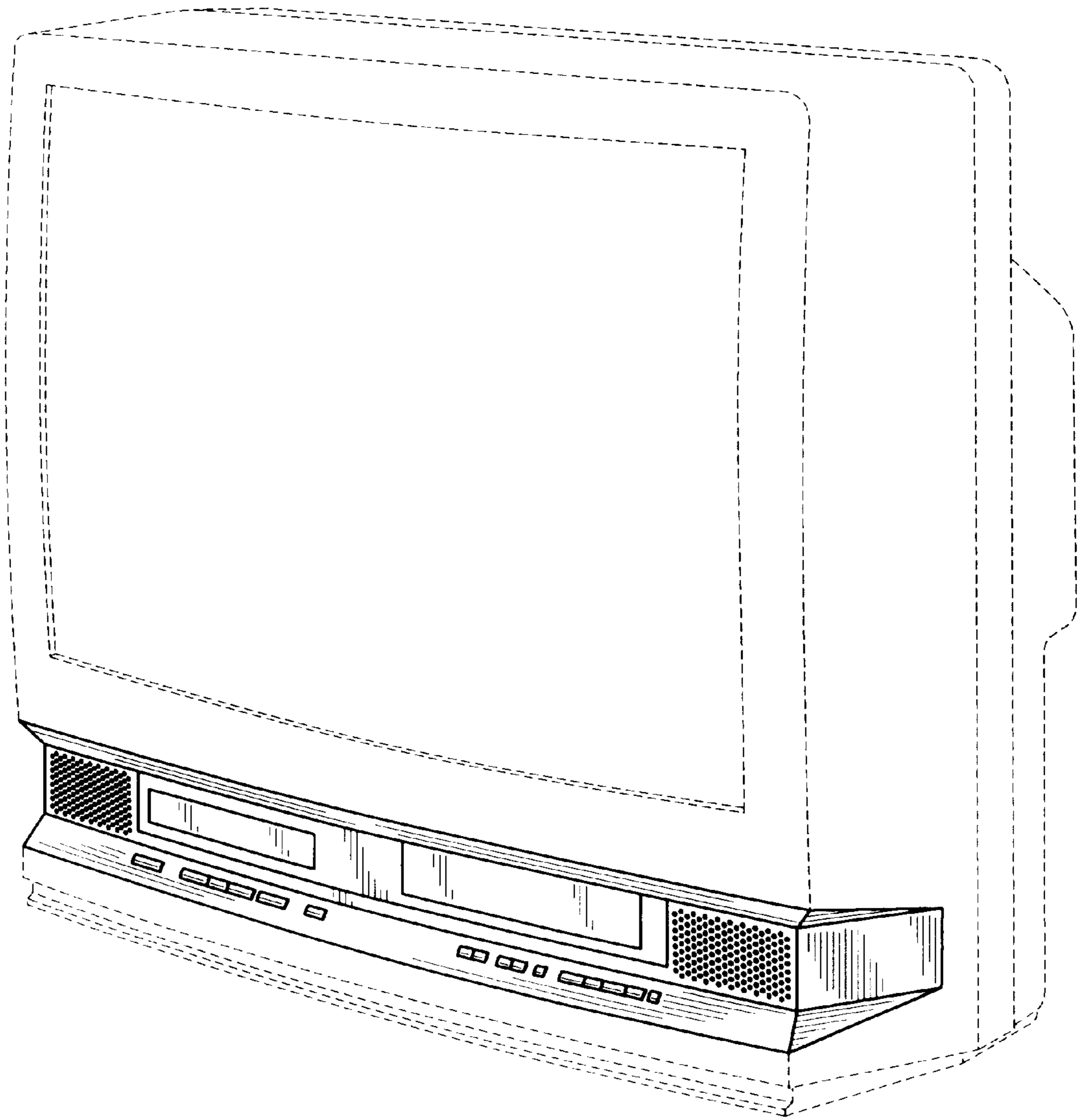


FIG. 3

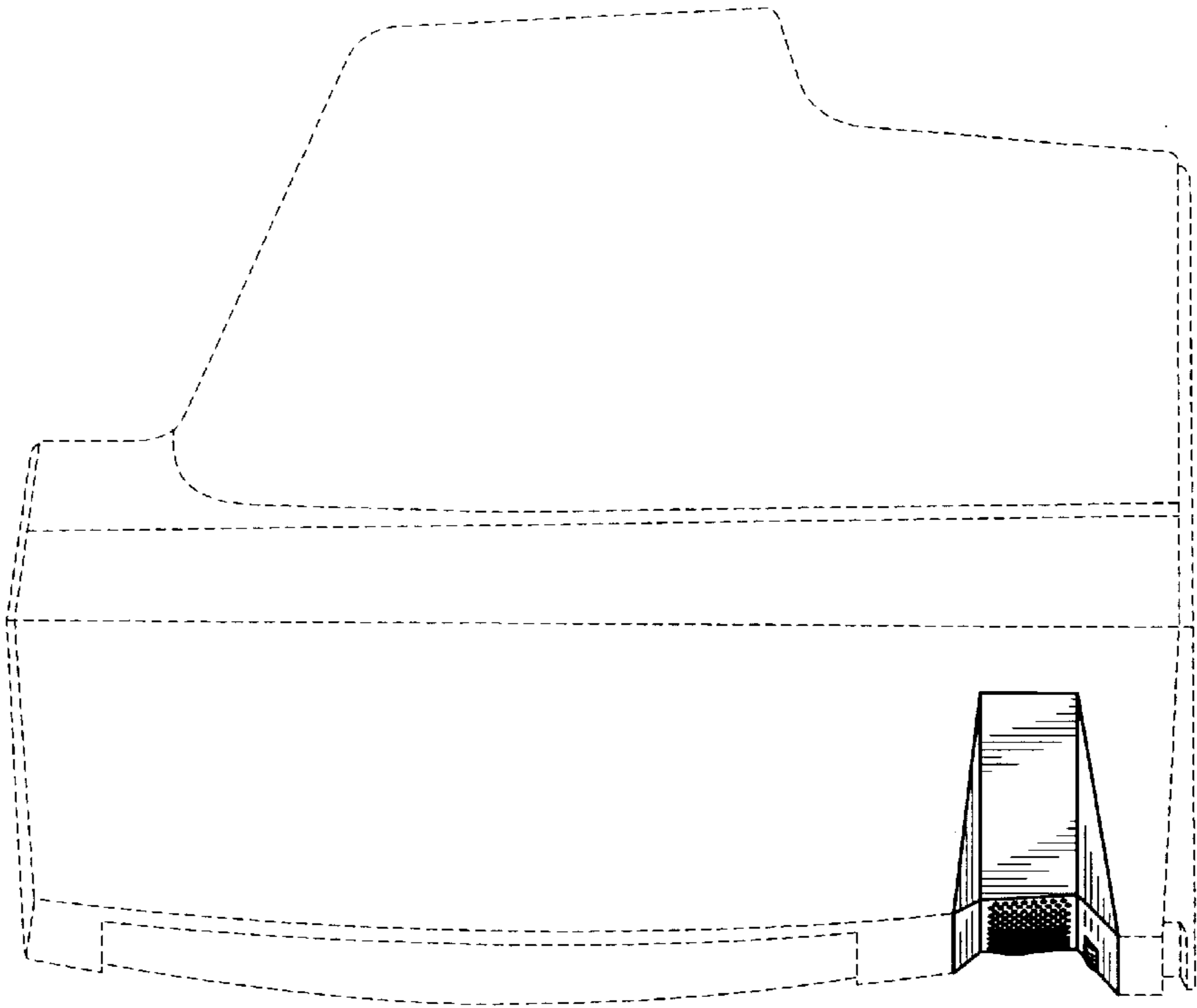


FIG. 2

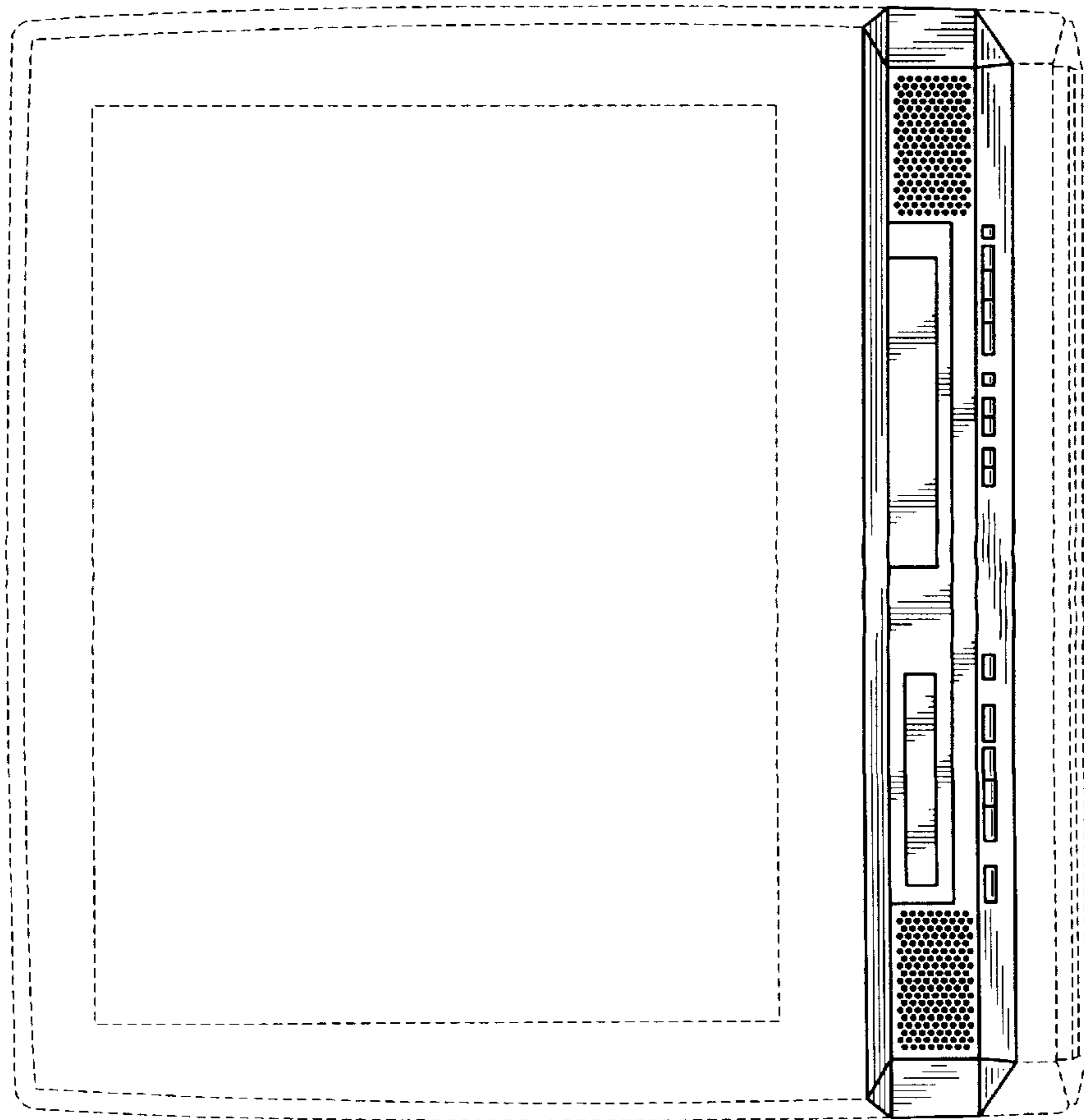


FIG. 4

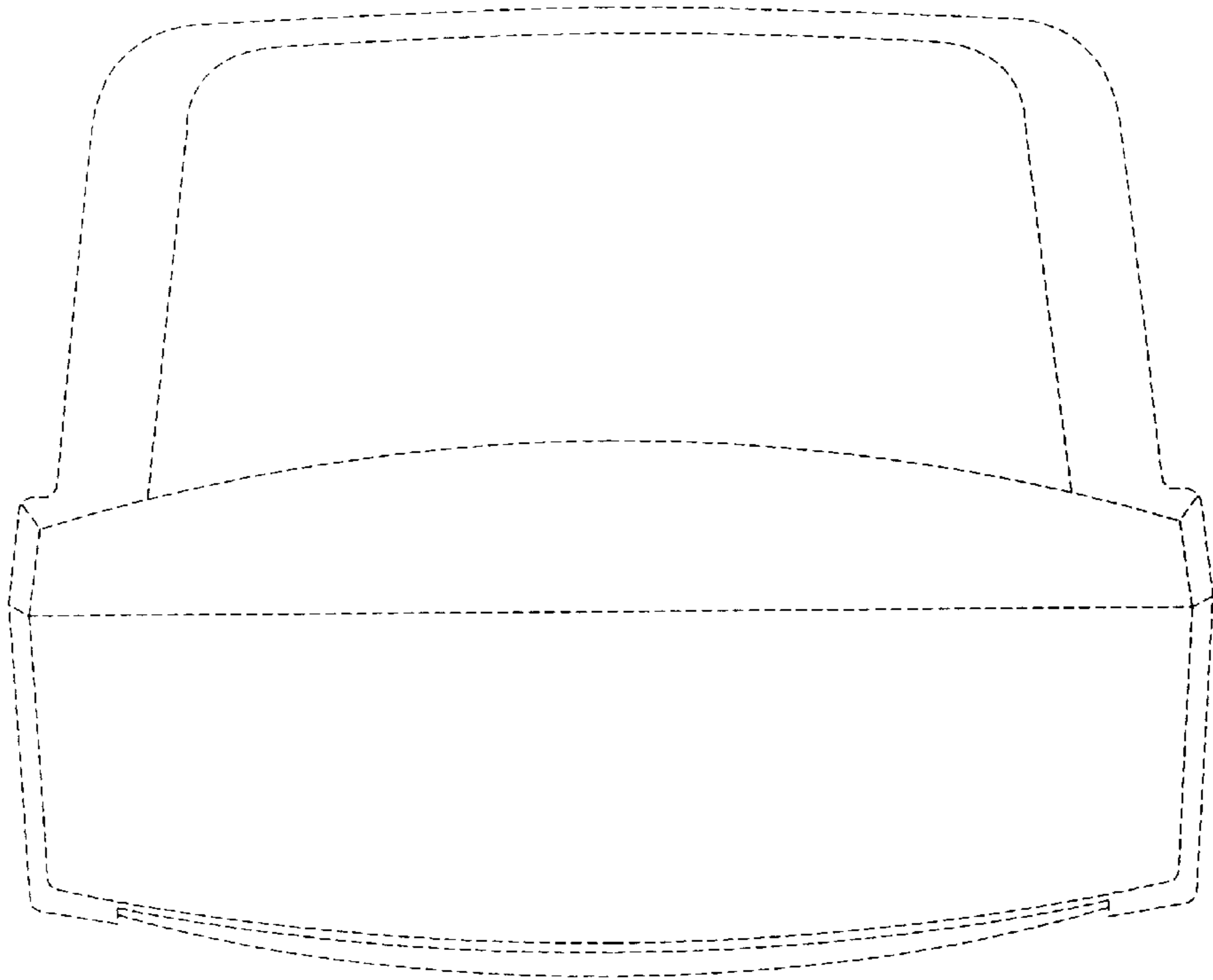


FIG. 5

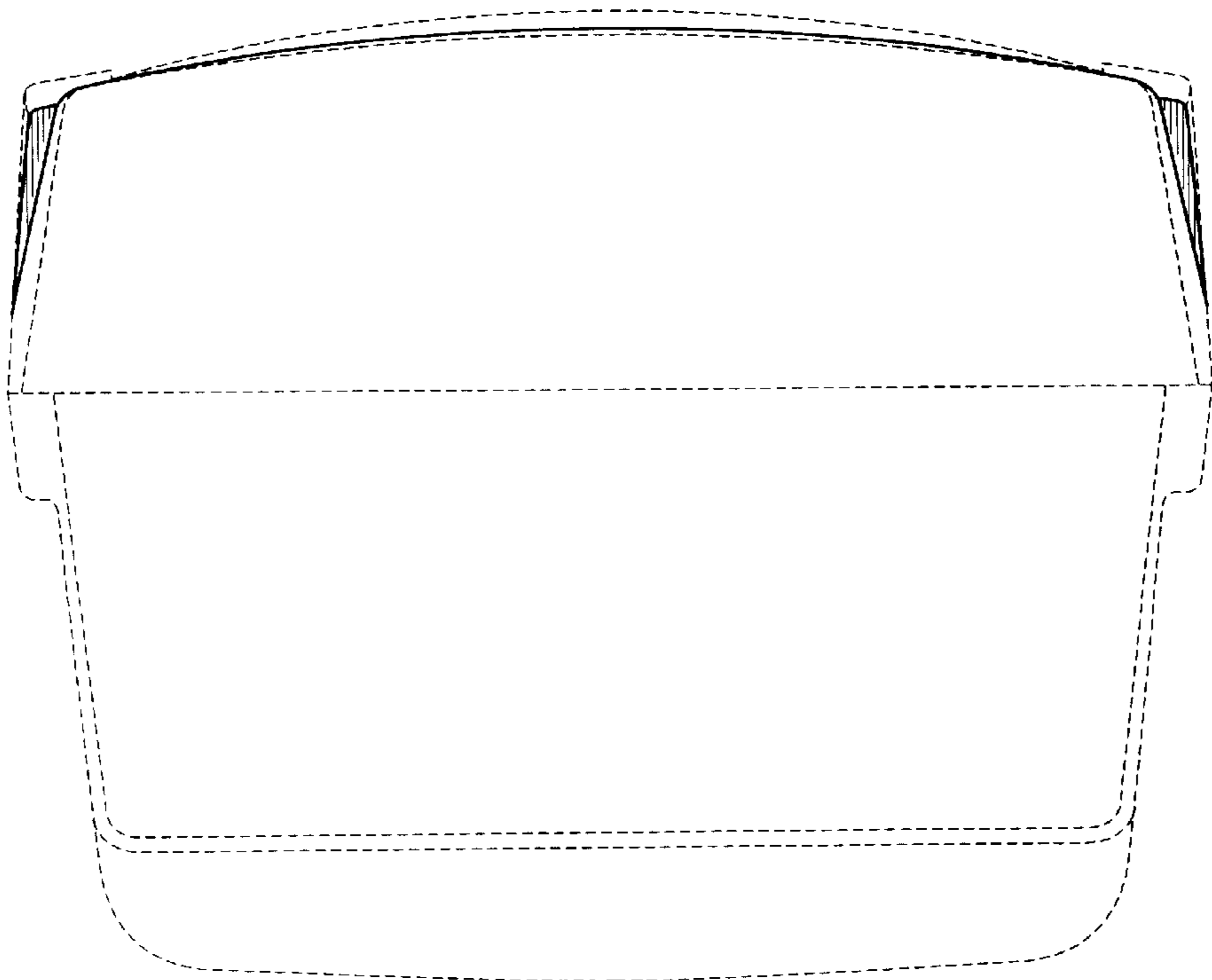


FIG. 7

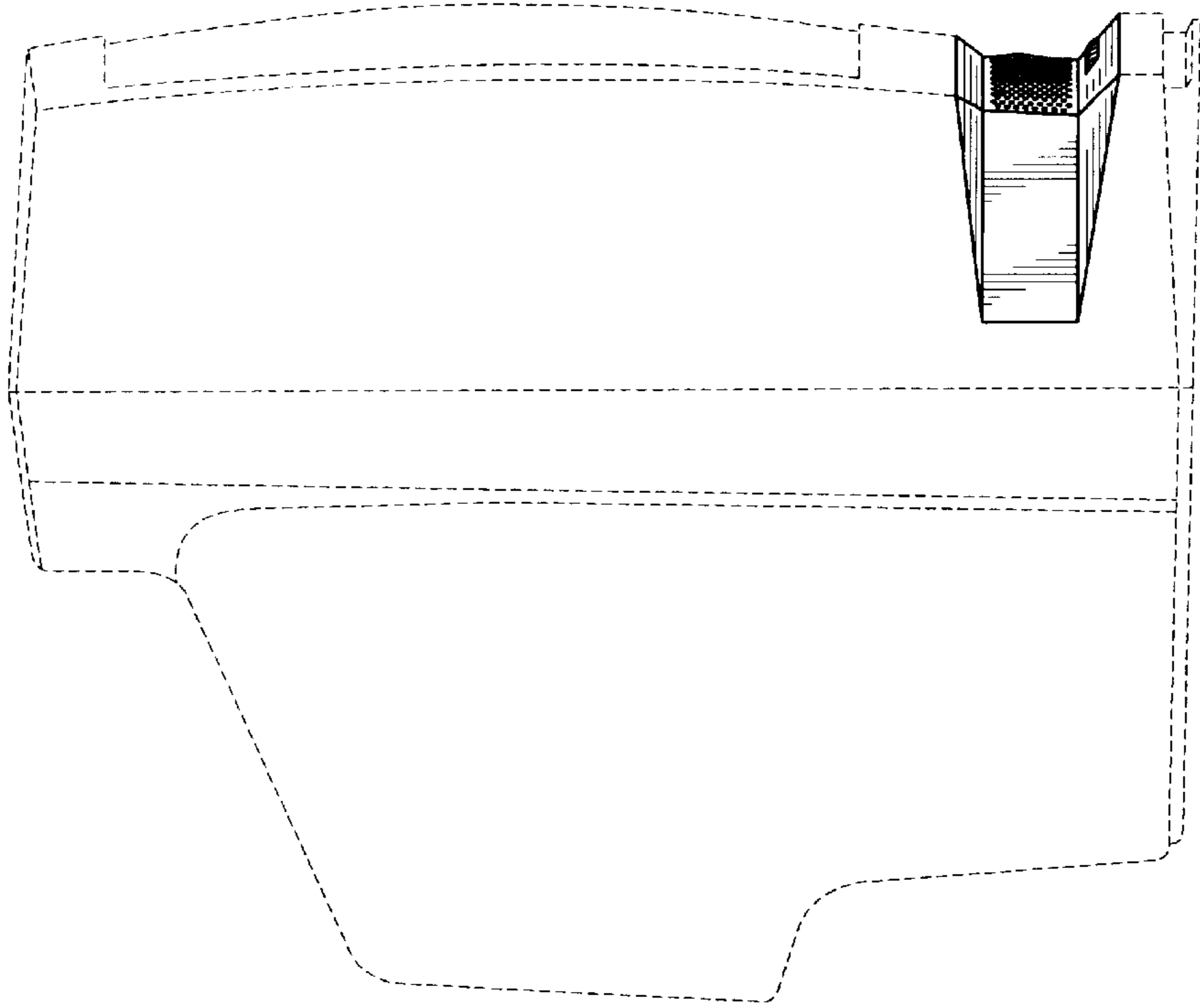


FIG. 6

