



US00D428876S

United States Patent [19] Renkis

[11] **Patent Number: Des. 428,876**

[45] **Date of Patent: ** Aug. 1, 2000**

[54] **WIRELESS RECEIVER**

D. 378,368 3/1997 McGreevy D14/230
5,019,833 5/1991 Nonaka 343/840

[75] Inventor: **Martin A. Renkis**, Pittsboro, N.C.

[73] Assignee: **Security Data Networks, Inc.**, Cary, N.C.

[**] Term: **14 Years**

Primary Examiner—Louis S. Zarfaz
Assistant Examiner—Greg Andoll
Attorney, Agent, or Firm—Myers Bigel Sibley & Sajovec

[21] Appl. No.: **29/098,742**

[22] Filed: **Jan. 5, 1999**

[57] **CLAIM**

The ornamental design for a wireless receiver, as shown and described.

[51] **LOC (7) Cl.** **14-03**

[52] **U.S. Cl.** **D14/230**

[58] **Field of Search** D14/230-238;
343/702, 901, 720, 713, 714, 795, 765,
840, 872, 878, 879; 455/90, 347, 128, 562

DESCRIPTION

FIG. 1 is a perspective view of the wireless receiver showing my design;
FIG. 2 is a side view thereof;
FIG. 3 is a top view thereof;
FIG. 4 is an opposite side view thereof;
FIG. 5 is a bottom view thereof;
FIG. 6 is a rear view thereof; and,
FIG. 7 is a front view thereof.

[56] **References Cited**

U.S. PATENT DOCUMENTS

D. 345,362 3/1994 Kadono et al. D14/230
D. 347,010 5/1994 Emmerling D14/230

1 Claim, 4 Drawing Sheets

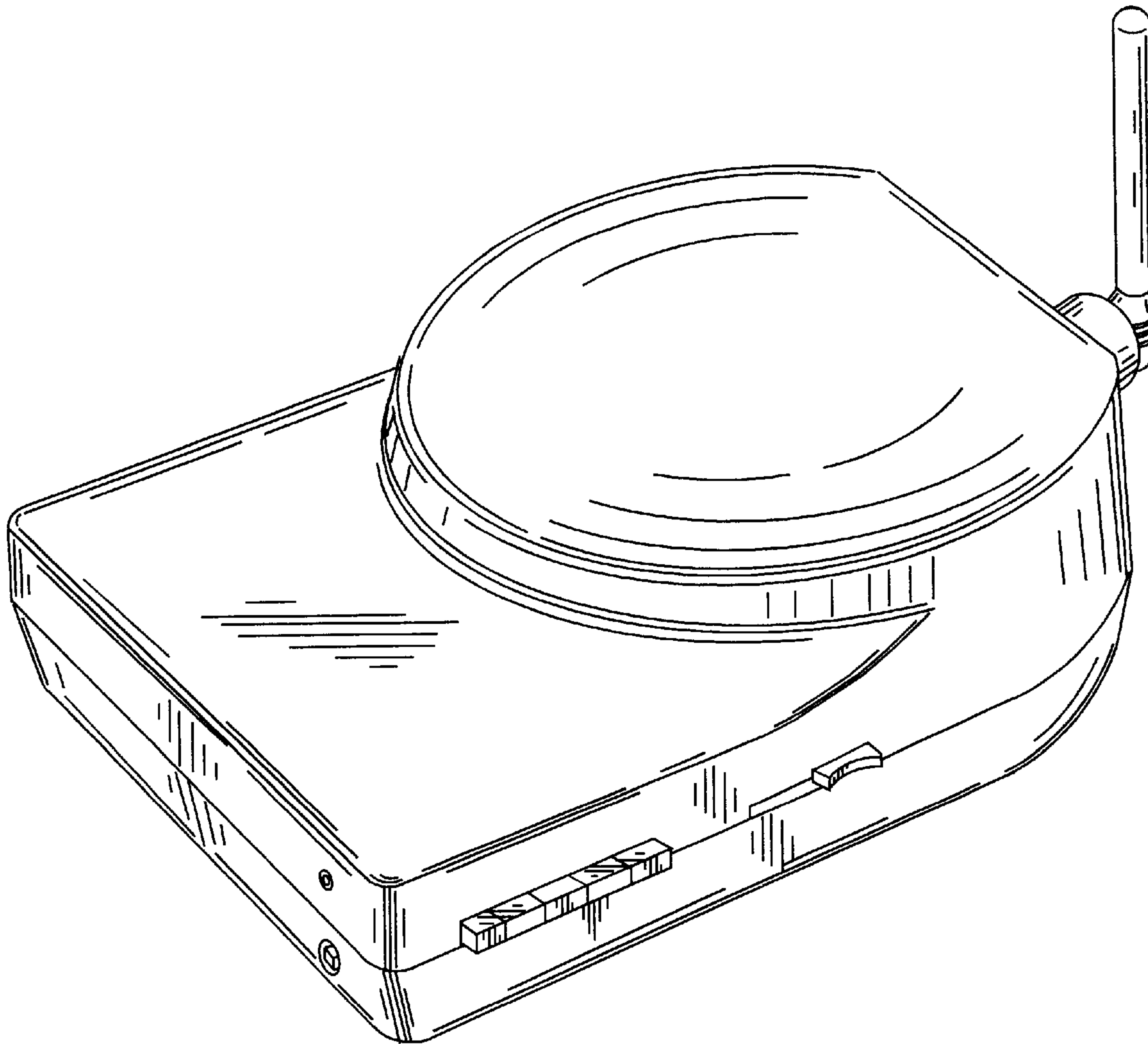


FIG. 1

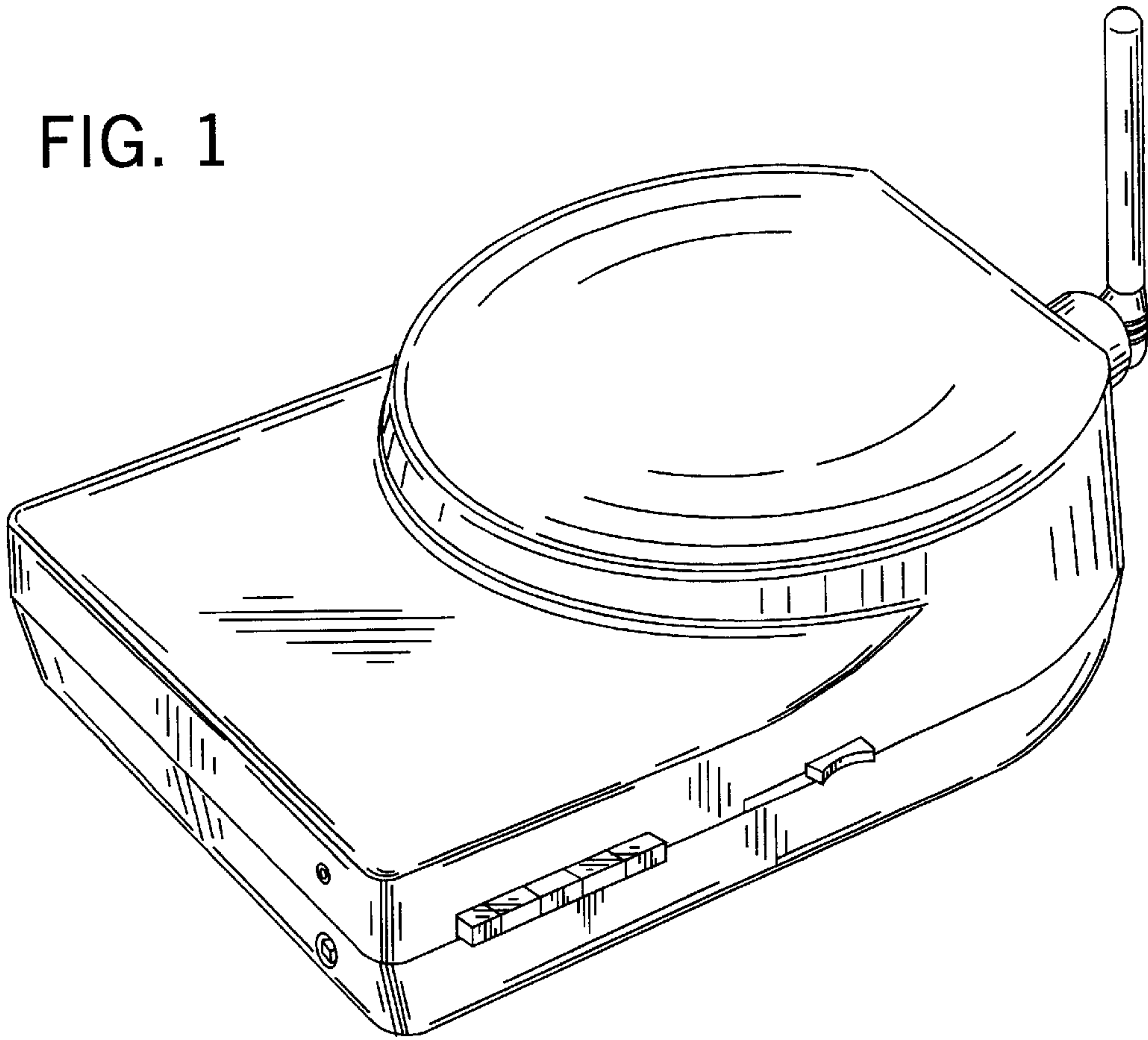


FIG. 2

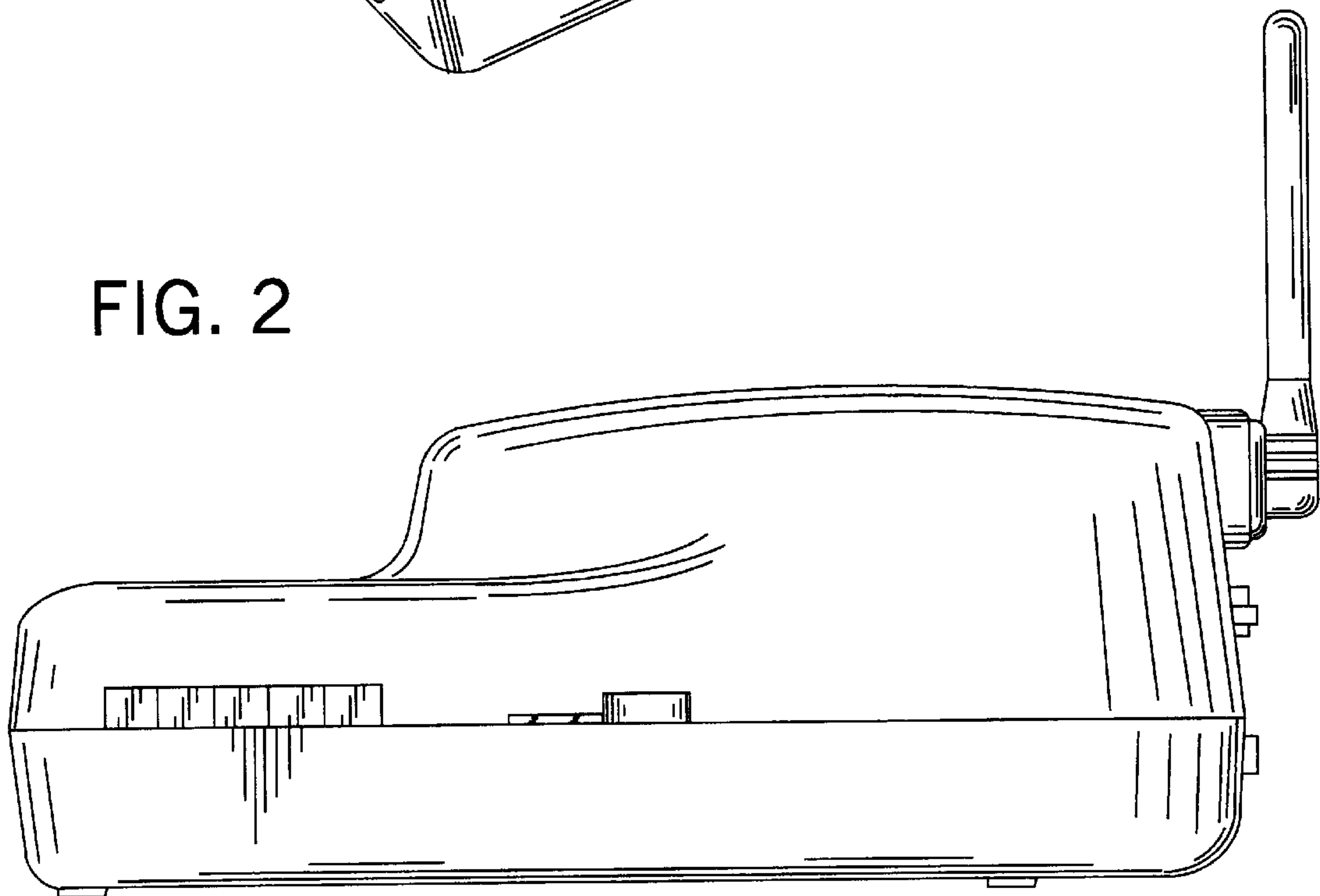


FIG. 3

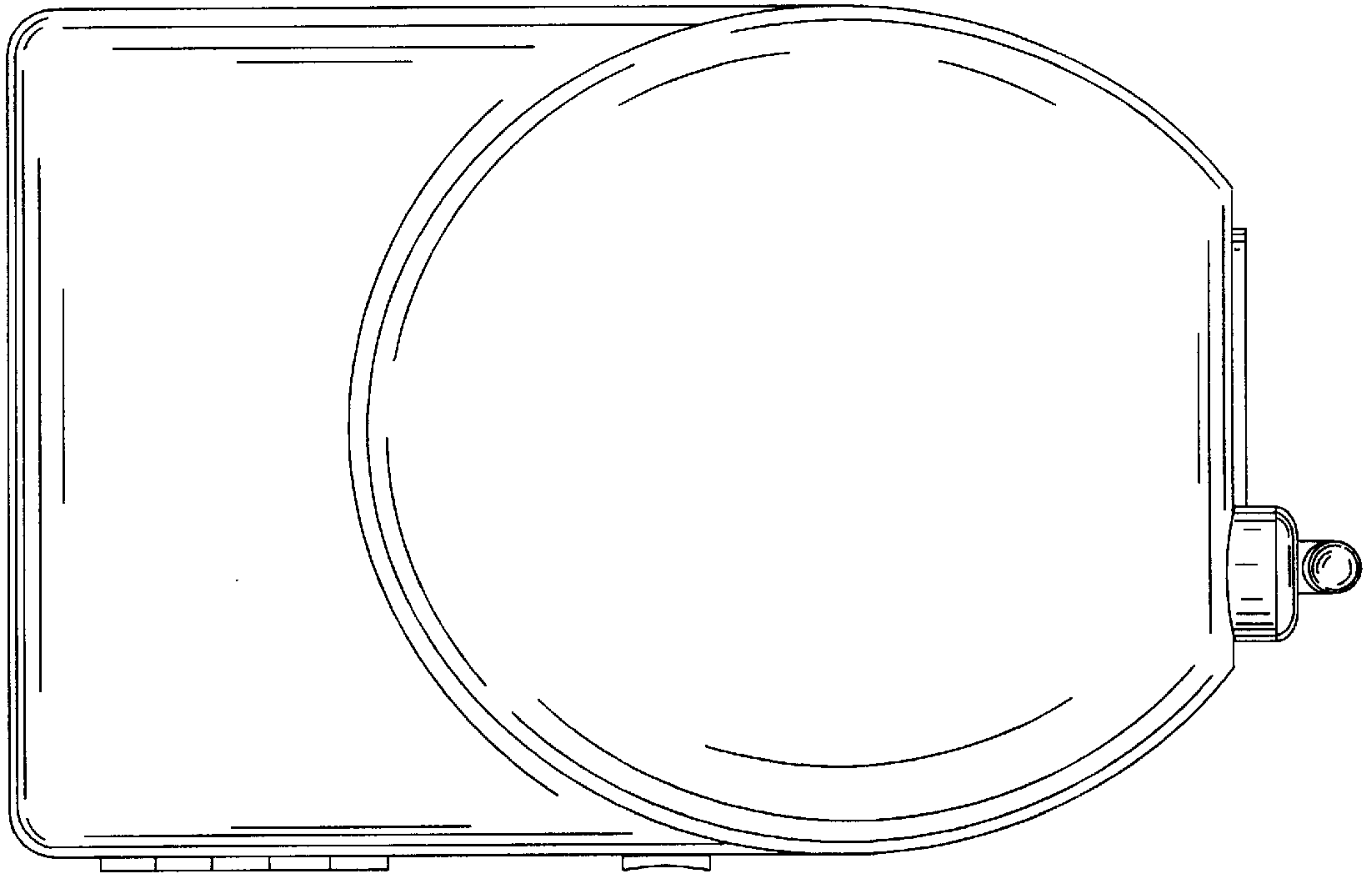


FIG. 4

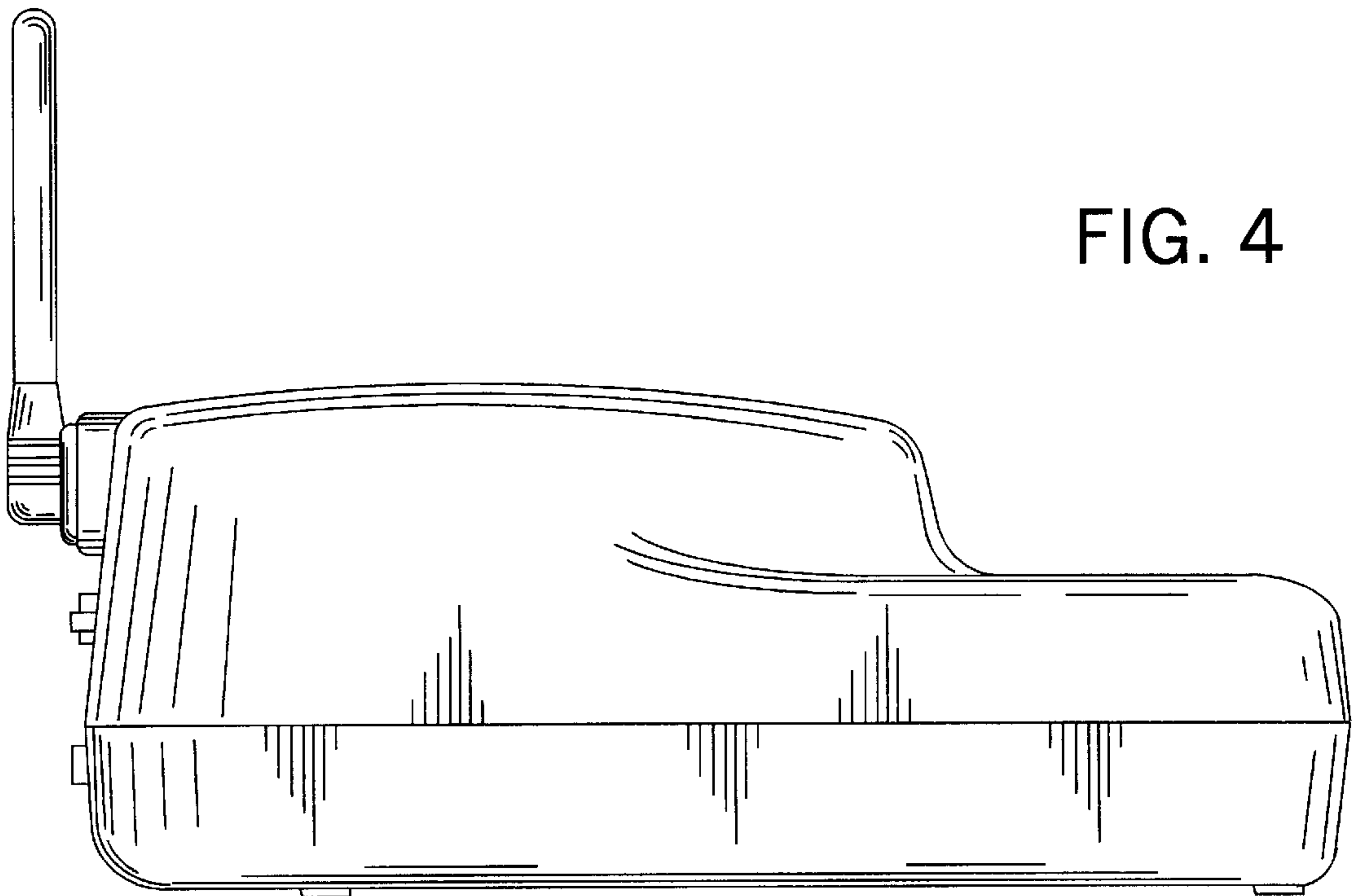


FIG. 5

