



US00D428875S

United States Patent [19] Gerdom

[11] **Patent Number: Des. 428,875**

[45] **Date of Patent: ** Aug. 1, 2000**

[54] **PAIR OF HOUSINGS FOR BONE VIBRATING AUDIO TRANSDUCER FOR A COMMUNICATIONS HEADSET**

[75] Inventor: **James M. Gerdom**, Shawnee, Kans.

[73] Assignee: **Atlantic Signal Corporation**, Overland Park, Kans.

[**] Term: **14 Years**

[21] Appl. No.: **29/100,586**

[22] Filed: **Feb. 11, 1999**

Related U.S. Application Data

[63] Continuation-in-part of application No. 29/097,497, Dec. 8, 1998, which is a continuation-in-part of application No. 29/092,211, Aug. 14, 1998.

[51] **LOC (7) Cl.** **14-01**

[52] **U.S. Cl.** **D14/223; D14/222**

[58] **Field of Search** **D14/192, 205-206, D14/222-224; 181/129, 132; 381/150, 151, 337, 377**

[56] References Cited

U.S. PATENT DOCUMENTS

D. 306,725	3/1990	Tanaka	D14/206	X
D. 343,621	1/1994	Fine, Sr. et al.	D14/223	X
D. 352,036	11/1994	Sekita	D14/205	X
D. 364,617	11/1995	Fitzgerald	D14/206	X
665,470	1/1901	Rutherford	381/377	
4,420,657	12/1983	Larkin	181/129	
5,546,069	8/1996	Holden et al.	381/150	X

OTHER PUBLICATIONS

Radio Headsets brochure of Telex, 8601 East Cornhusker Highway, Lincoln, NE 68507, exact publication date

unknown but headsets shown therein were distributed prior to invention by applicant of claimed ornamental design.

Operating Instructions manual for New Eagle Low Profile Headset showing headsets distributed prior to invention by applicant of claimed ornamental design, No Date.

Primary Examiner—Nanda Bondade
Attorney, Agent, or Firm—Litman, Kraai & Brown L.L.C.

[57] CLAIM

The ornamental design for a pair of housings for bone vibrating audio transducer for a communications headset, as shown and described.

DESCRIPTION

FIG. 1 is a perspective view of a pair of housings for bone vibrating audio transducer for a communication headset showing my new design, the broken line showing of the headbands, microphone and cord is for illustrative purposes only and forms no part of the claimed design;

FIG. 1 is a perspective view of a pair of housings for bone vibrating audio transducer for a communication headset showing my new design, the broken line showing of the headbands, microphone and cord is for illustrative purposes only and forms no part of the claimed design;

FIG. 3 is a left side elevational view thereof;

FIG. 4 is a front elevational view thereof;

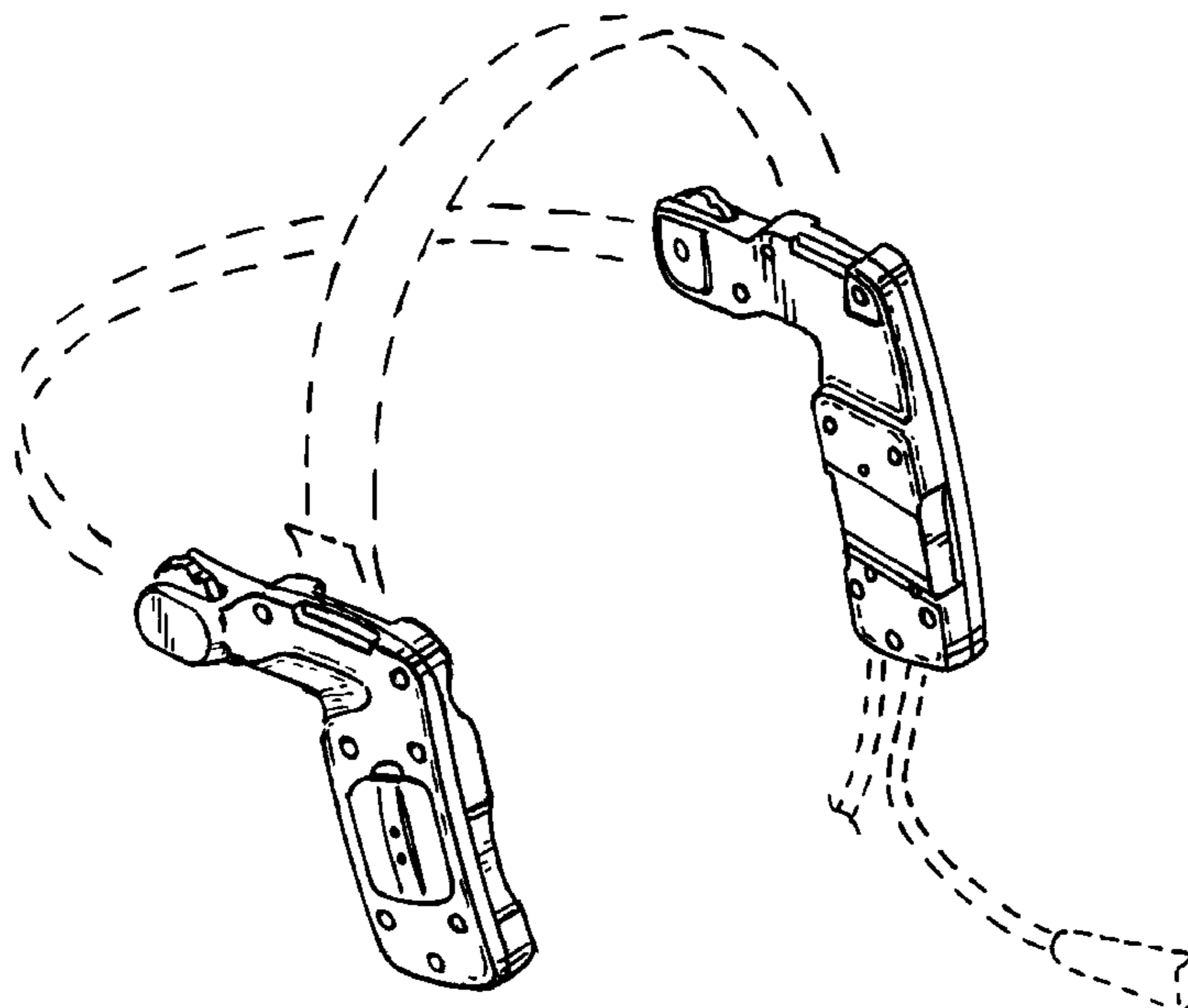
FIG. 5 is a rear elevational view thereof;

FIG. 6 is a top plan view thereof; and,

FIG. 7 is a bottom plan view thereof.

The undisclosed views of the right side housing of the first and second embodiments are mirror image of the respective left side housing views.

1 Claim, 2 Drawing Sheets



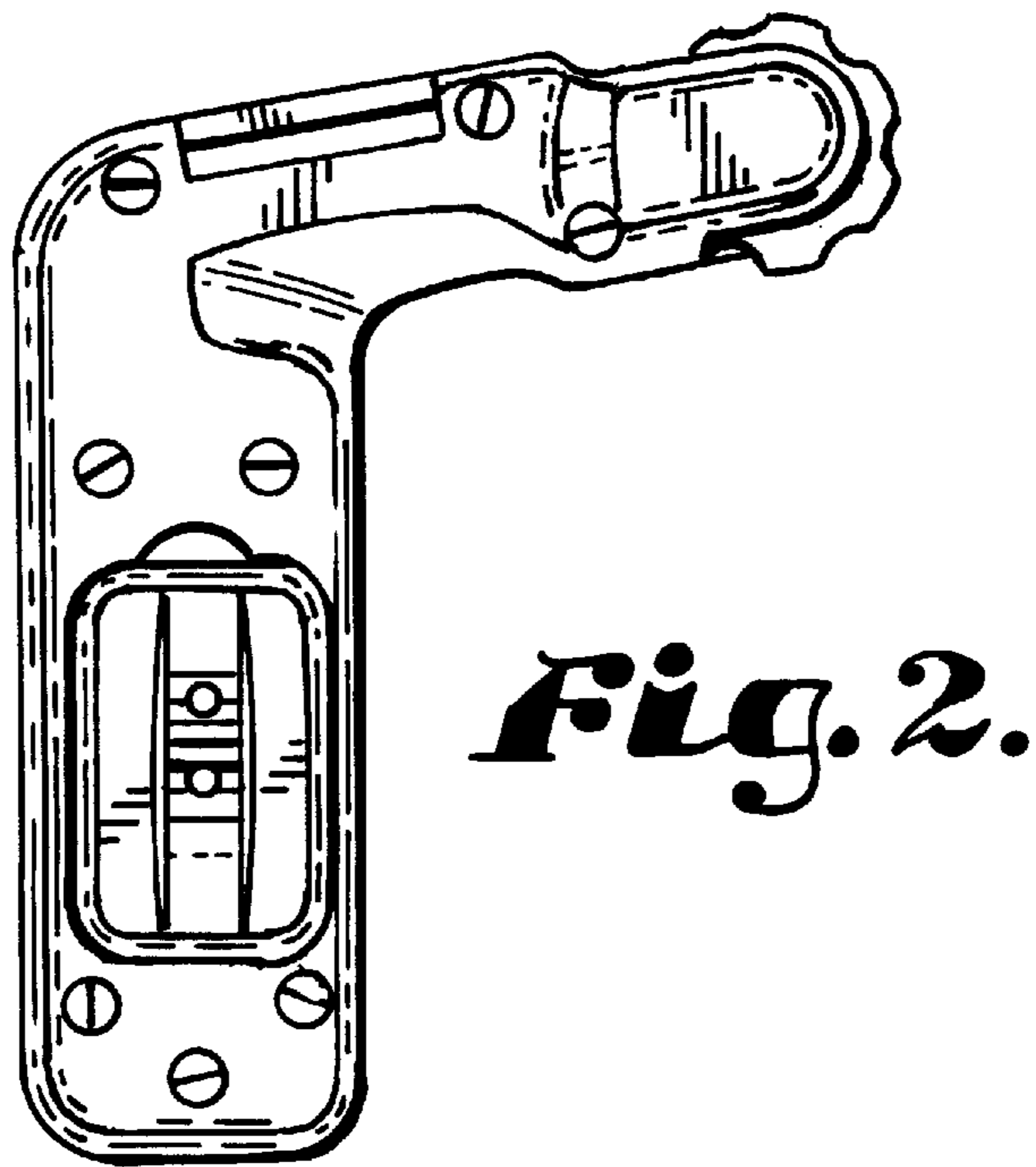
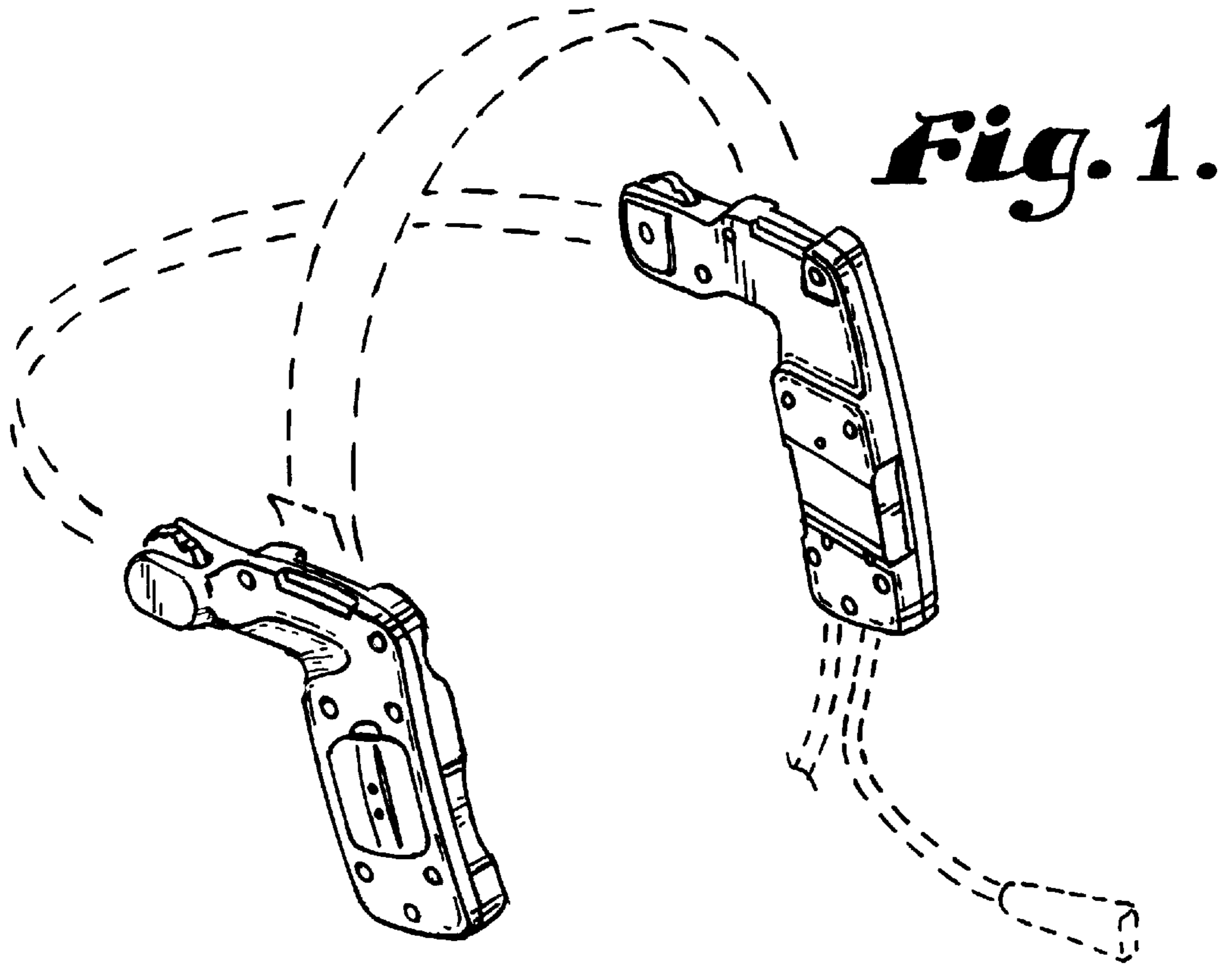


Fig. 6.

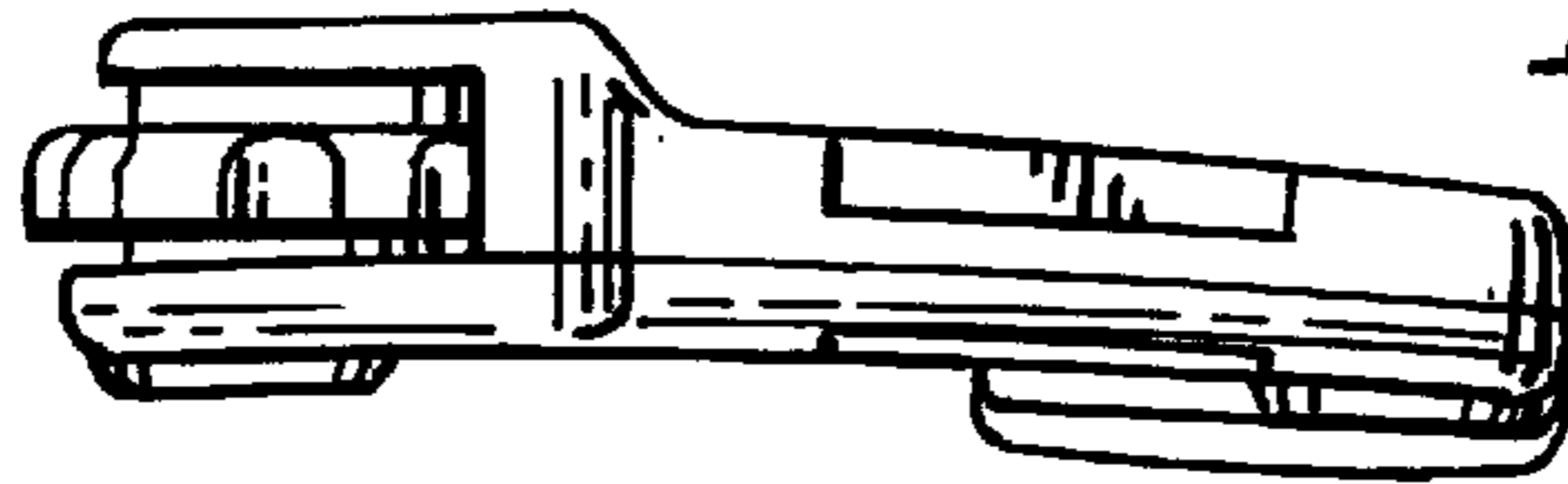


Fig. 5.

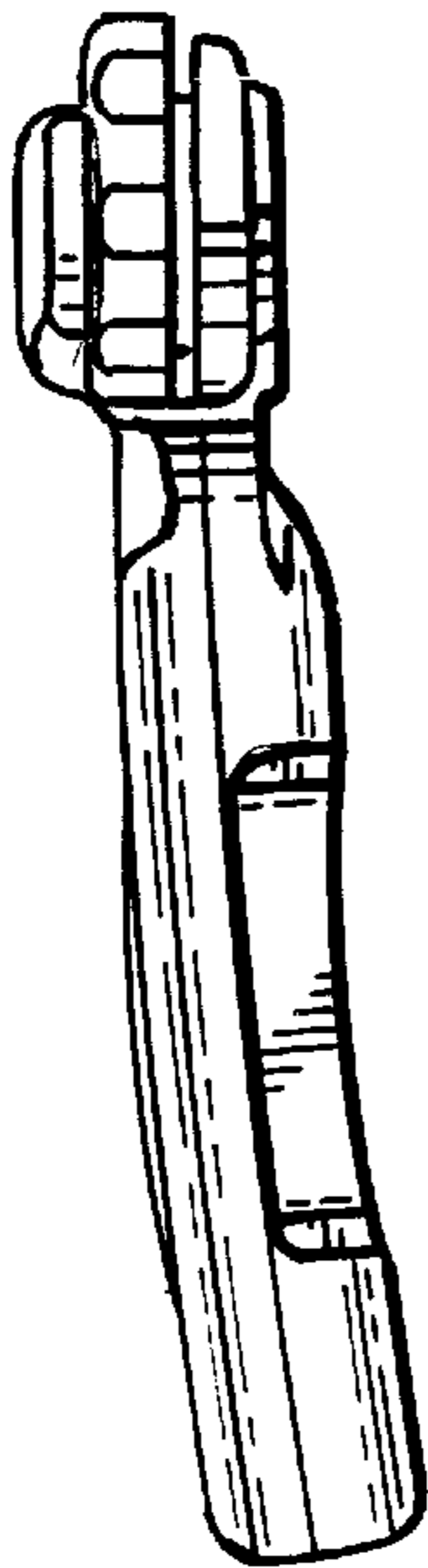


Fig. 3.

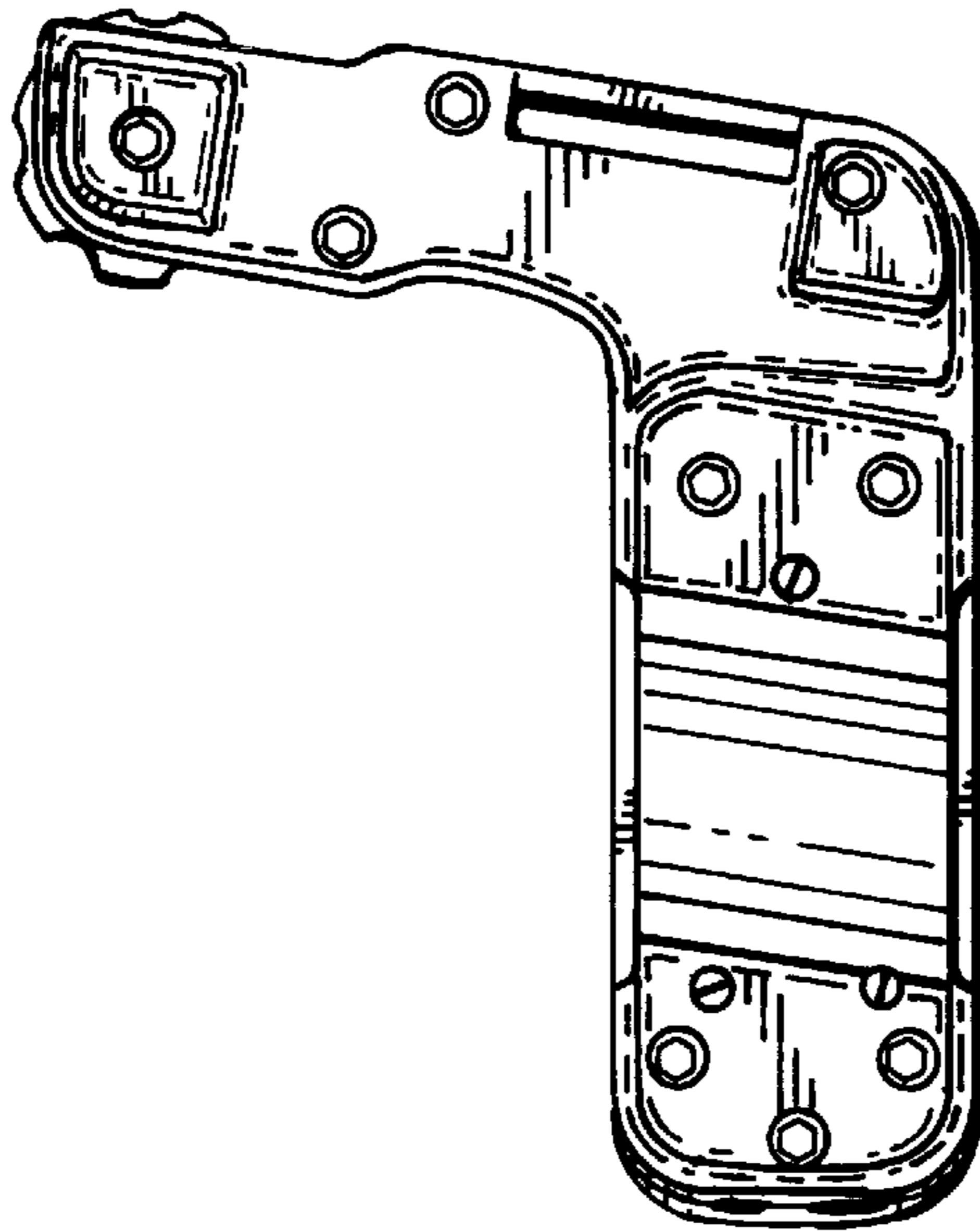


Fig. 4.

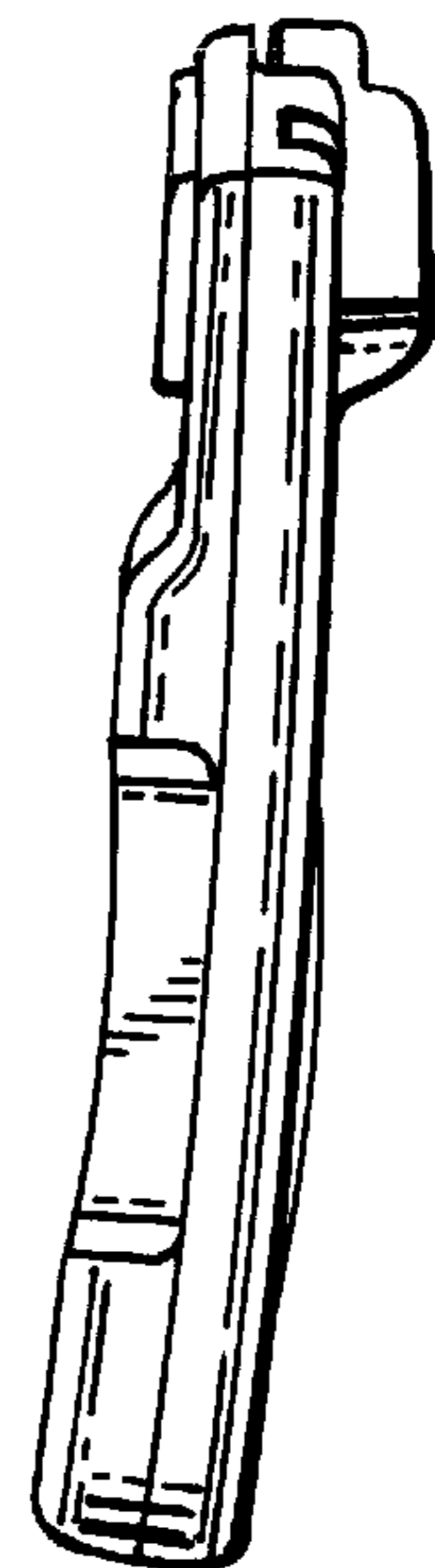


Fig. 7.

