



US00D428873S

United States Patent [19]

Hutchinson et al.

[11] Patent Number: **Des. 428,873**

[45] Date of Patent: **** Aug. 1, 2000**

[54] **RADIO**

[75] Inventors: **John Edward Hutchinson; Pierre Becker**, both of Cape Town, South Africa

[73] Assignee: **Freeplay Market Development Limited**, London, United Kingdom

[**] Term: **14 Years**

[21] Appl. No.: **29/104,869**

[22] Filed: **May 13, 1999**

[30] Foreign Application Priority Data

Nov. 16, 1998 [GB] United Kingdom 2079192

[51] **LOC (7) Cl.** **14-03**

[52] **U.S. Cl.** **D14/194; D14/197**

[58] **Field of Search** D14/160-163, D14/165, 167-168, 170-171, 188, 192-198; 455/344, 345, 347

[56] References Cited

U.S. PATENT DOCUMENTS

D. 326,853 6/1992 Ogasawara D14/188

D. 364,162 11/1995 Dagan D14/188
D. 379,627 6/1997 Takahashi D14/188 X
D. 408,411 4/1999 Hakoda D14/168

OTHER PUBLICATIONS

Video Review, p. 46, Sony's ICF-S77W Radio, Jun. 1987.

Primary Examiner—Nanda Bondade
Attorney, Agent, or Firm—Cobrin & Gittes

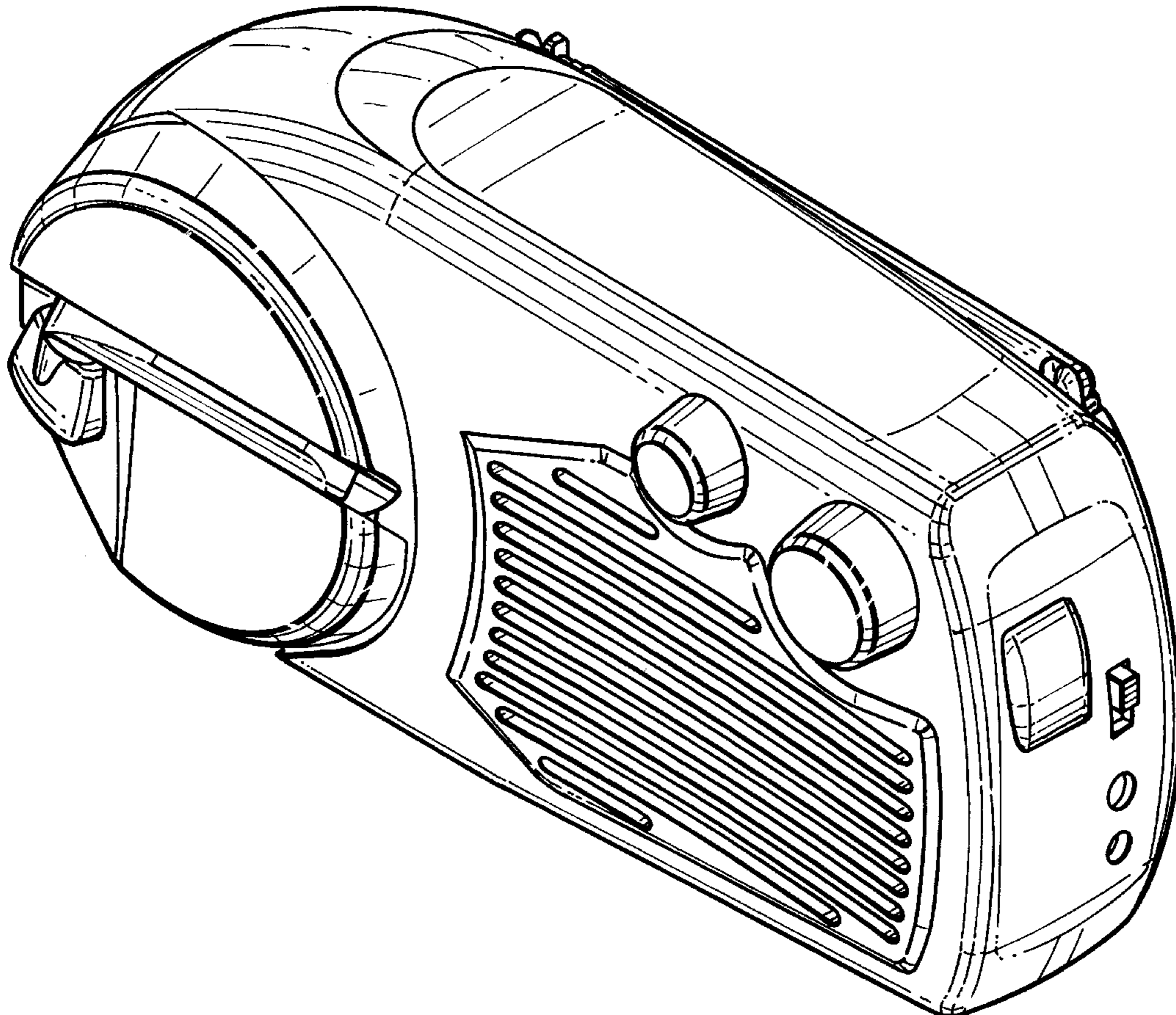
[57] CLAIM

The ornamental design for a radio, as shown and described.

DESCRIPTION

FIG. 1 is a perspective view of a radio in accordance with our invention showing the front, top and right side;
FIG. 2 is a perspective view thereof showing the bottom, rear and left side;
FIG. 3 is a front view thereof;
FIG. 4 is a top view thereof;
FIG. 5 is a right side view thereof; and,
FIG. 6 is a left side view thereof.

1 Claim, 5 Drawing Sheets



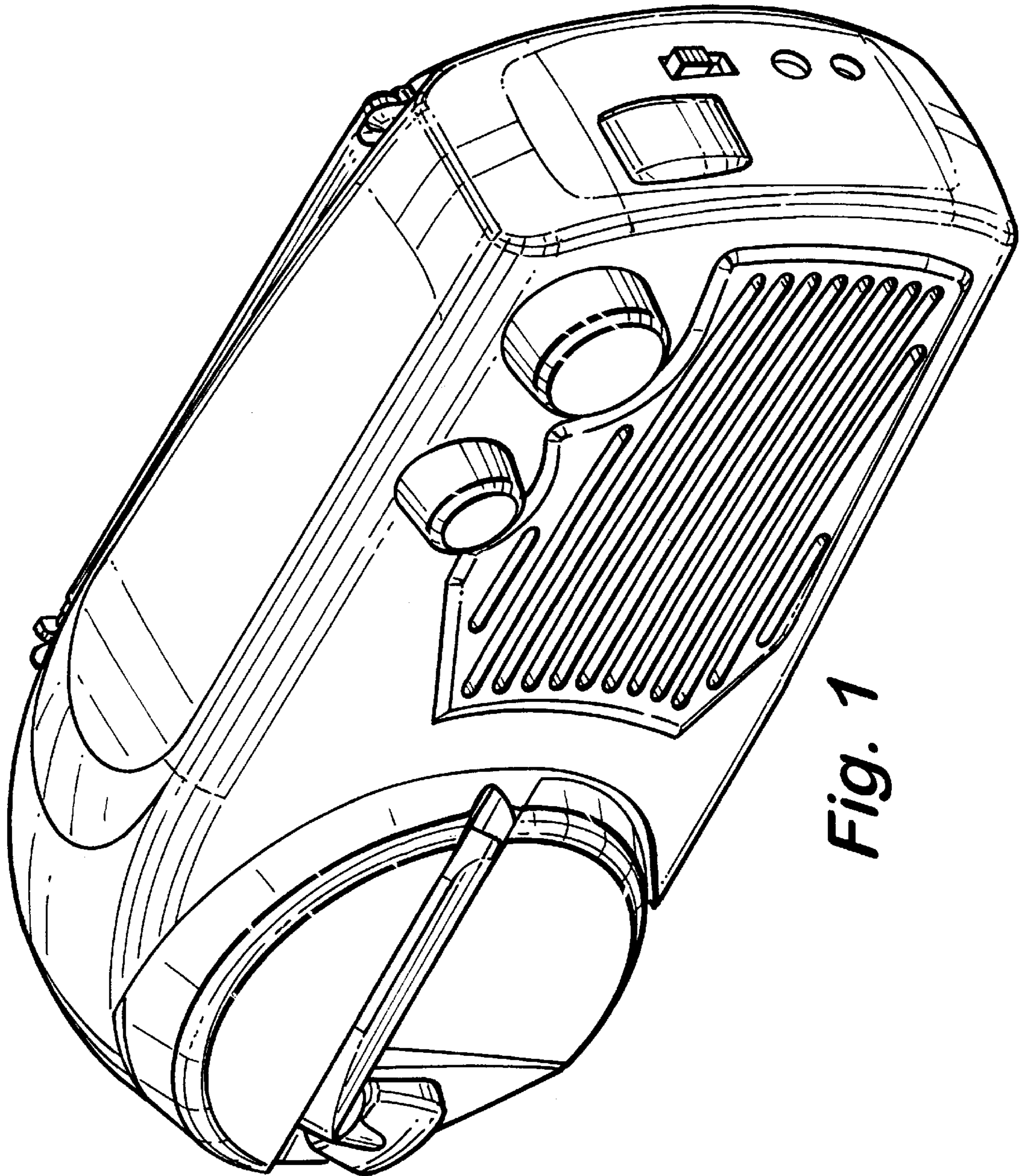


Fig. 1

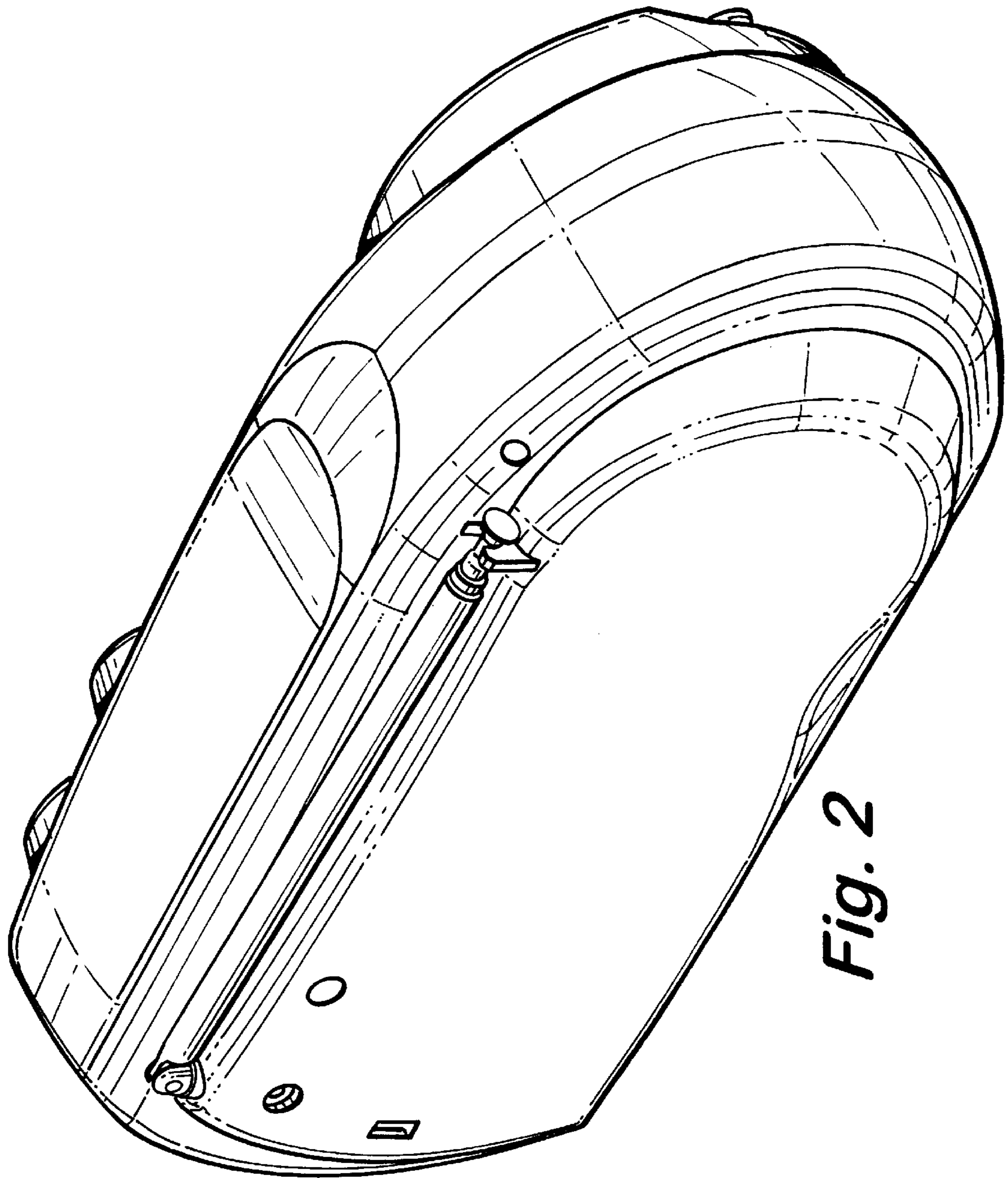


Fig. 2

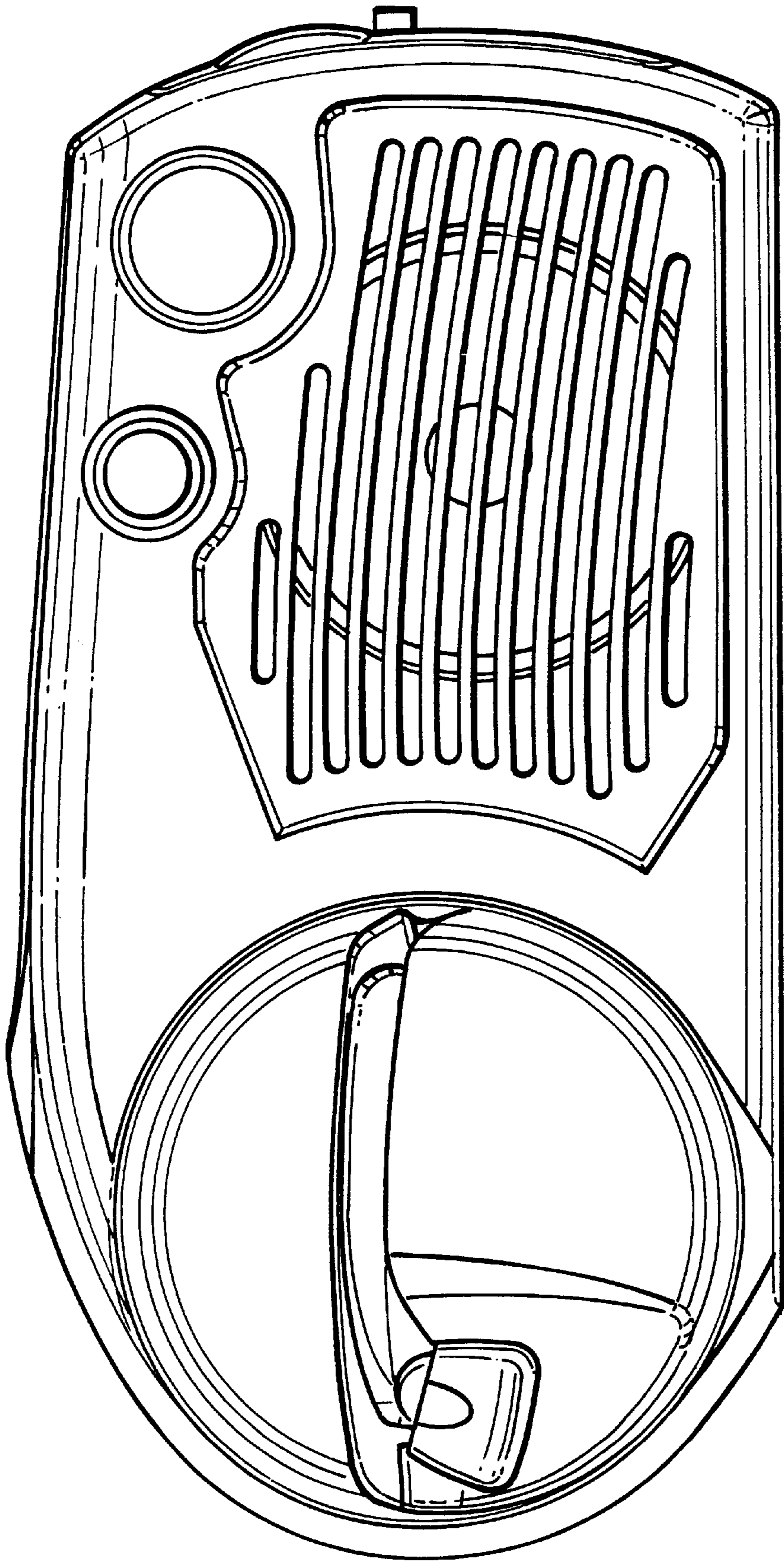


Fig. 3

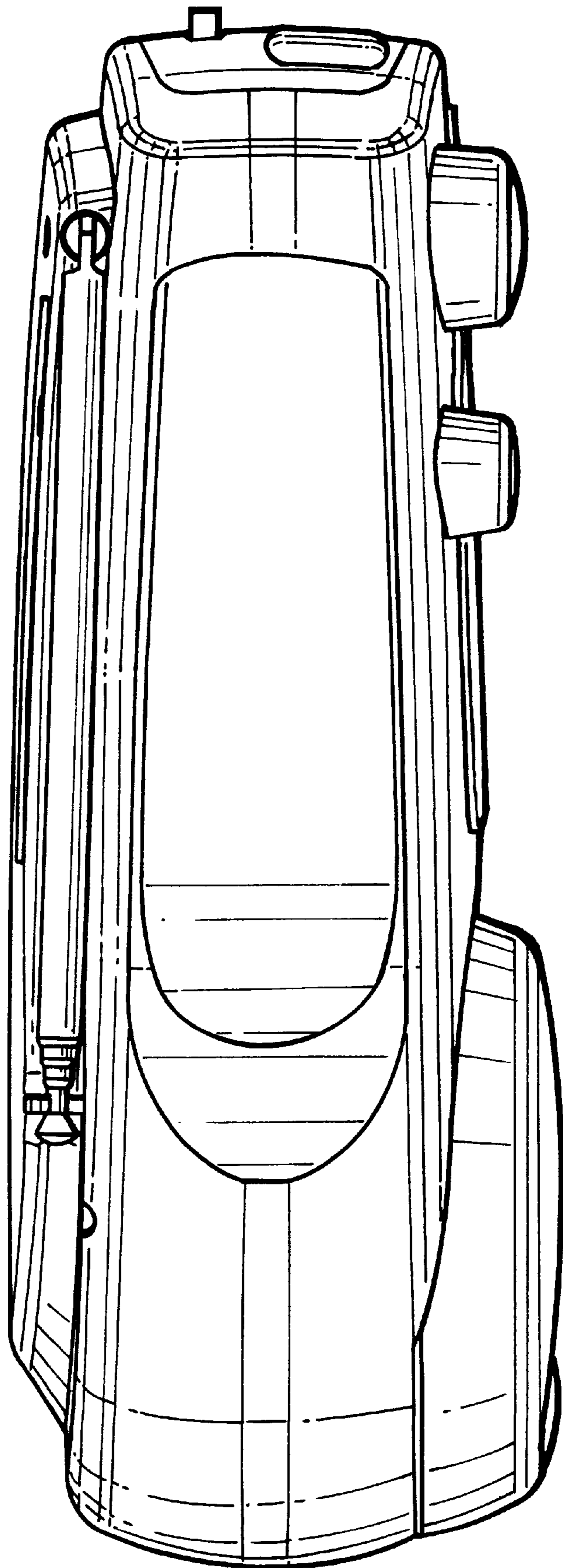


Fig. 4

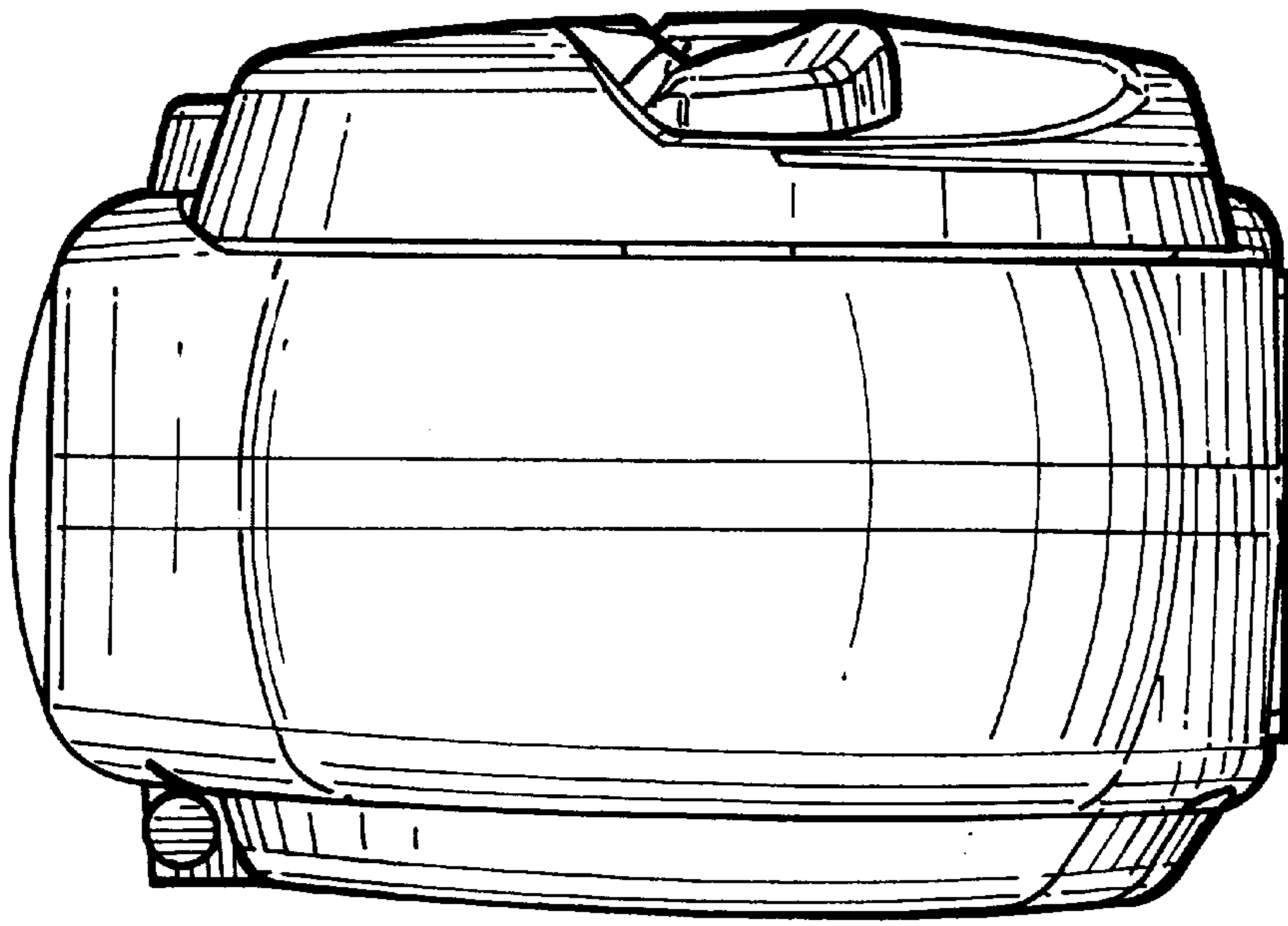


Fig. 6

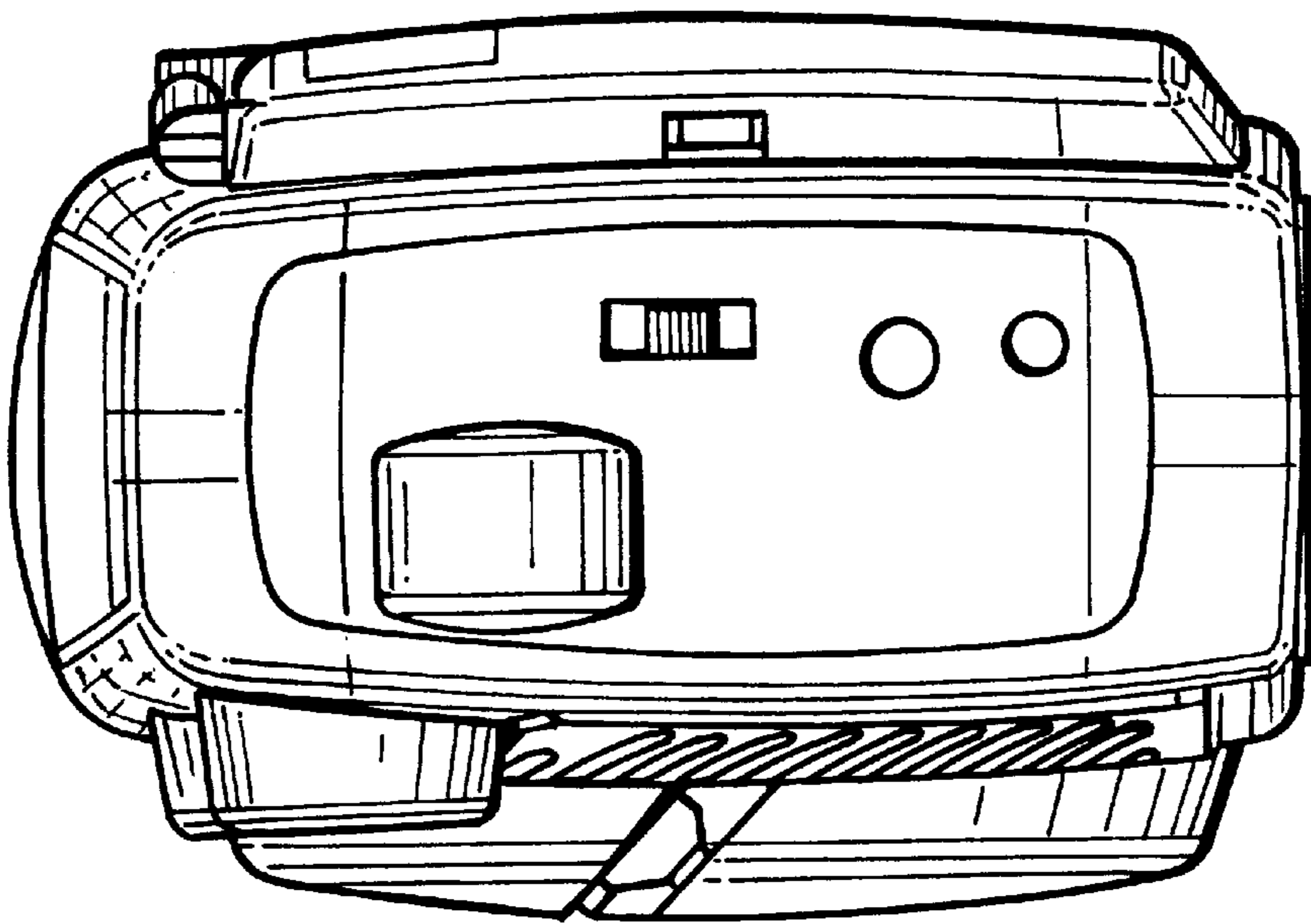


Fig. 5