



US00D428872S

United States Patent [19] Kizawa

[11] **Patent Number: Des. 428,872**

[45] **Date of Patent: ** Aug. 1, 2000**

[54] **AMPLIFIER**

[75] Inventor: **Shigemitsu Kizawa**, Tokyo, Japan

[73] Assignee: **Sony Corporation**, Tokyo, Japan

[**] Term: **14 Years**

[21] Appl. No.: **29/095,720**

[22] Filed: **Oct. 29, 1998**

[51] **LOC (7) Cl.** **14-03**

[52] **U.S. Cl.** **D14/188**

[58] **Field of Search** D14/124, 162,
D14/164, 168, 170-171, 188, 193-198;
455/344, 347, 350, 351

[56] **References Cited**

U.S. PATENT DOCUMENTS

D. 271,694	12/1983	Nomura et al.	D14/197
D. 367,275	2/1996	Ito et al.	D14/188
D. 372,915	8/1996	Ito et al.	D14/188
D. 383,461	9/1997	Ito et al.	D14/188

OTHER PUBLICATIONS

Catalog "80", pp. 129 and 130, Sony Corporation (1995).

Primary Examiner—Nanda Bondade
Attorney, Agent, or Firm—Ronald P. Kananen; Rader,
Fishman & Grauer PLLC

[57] **CLAIM**

The ornamental design for an amplifier, as shown and described.

DESCRIPTION

FIG. 1 is a perspective view of an amplifier showing my new design;

FIG. 2 is a top plan view thereof;

FIG. 3 is a left side elevational view thereof;

FIG. 4 is a front elevational view thereof;

FIG. 5 is a right side elevational view thereof;

FIG. 6 is a rear elevational view thereof; and,

FIG. 7 is a bottom plan view thereof.

1 Claim, 4 Drawing Sheets

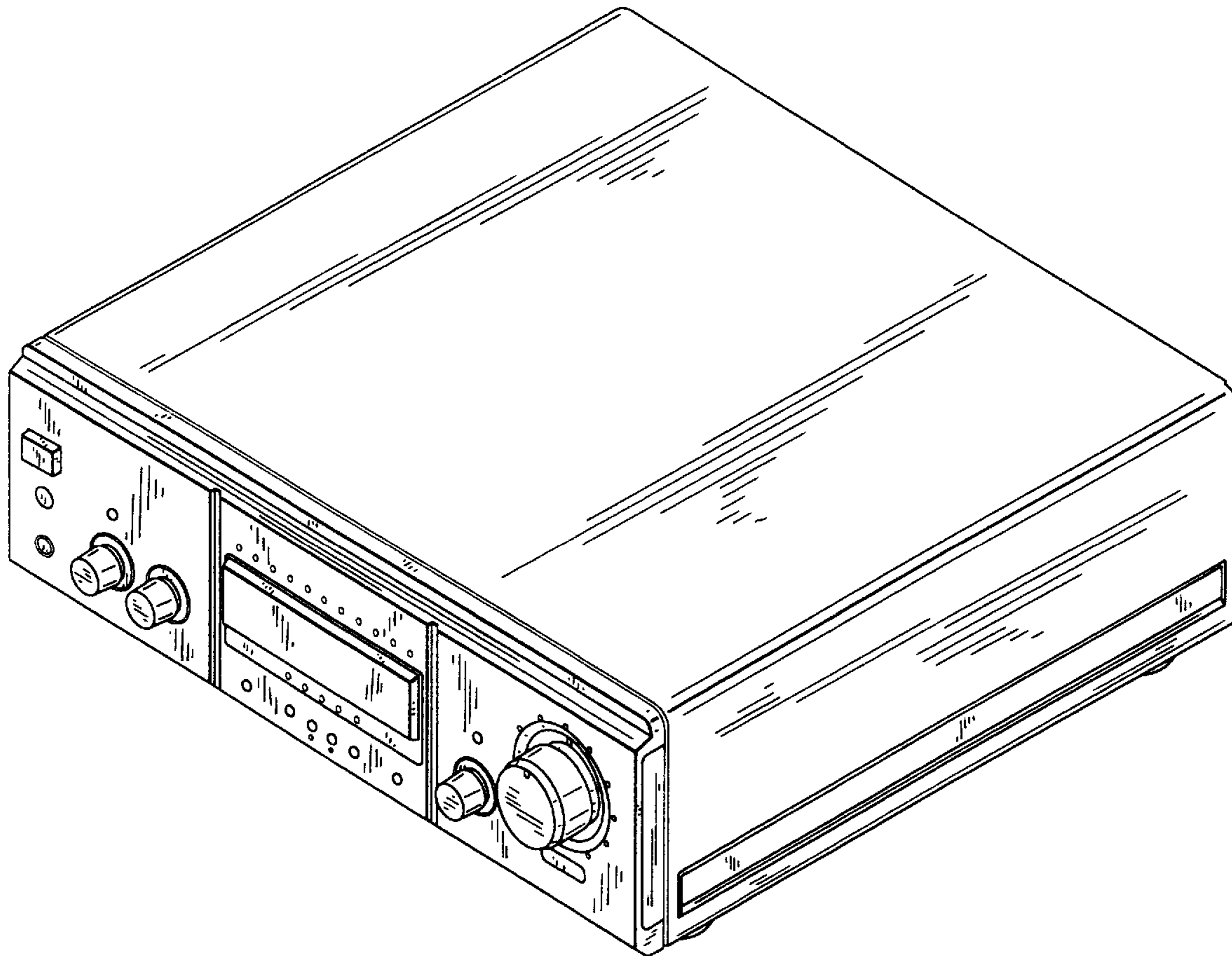


FIG. 1

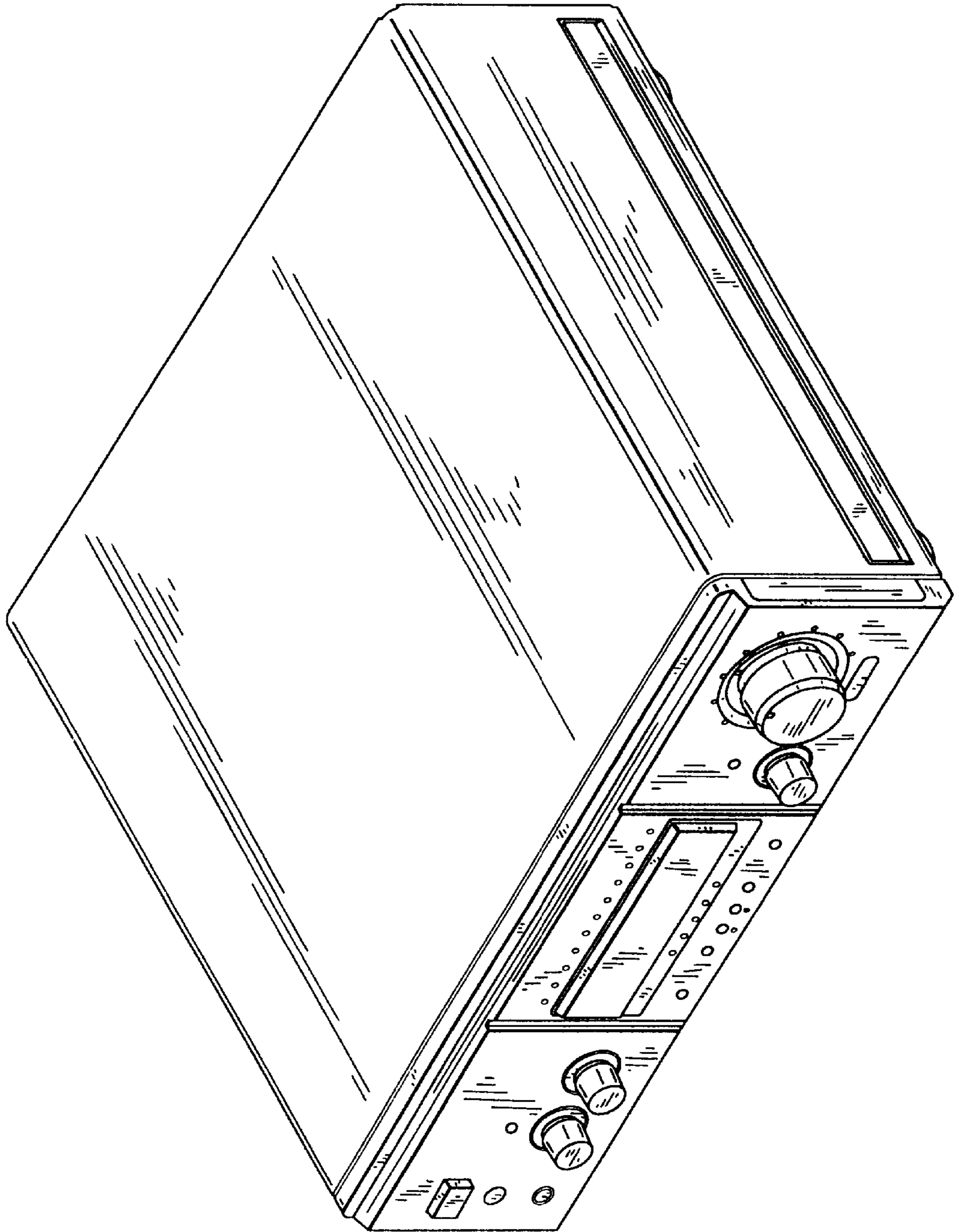


FIG. 7

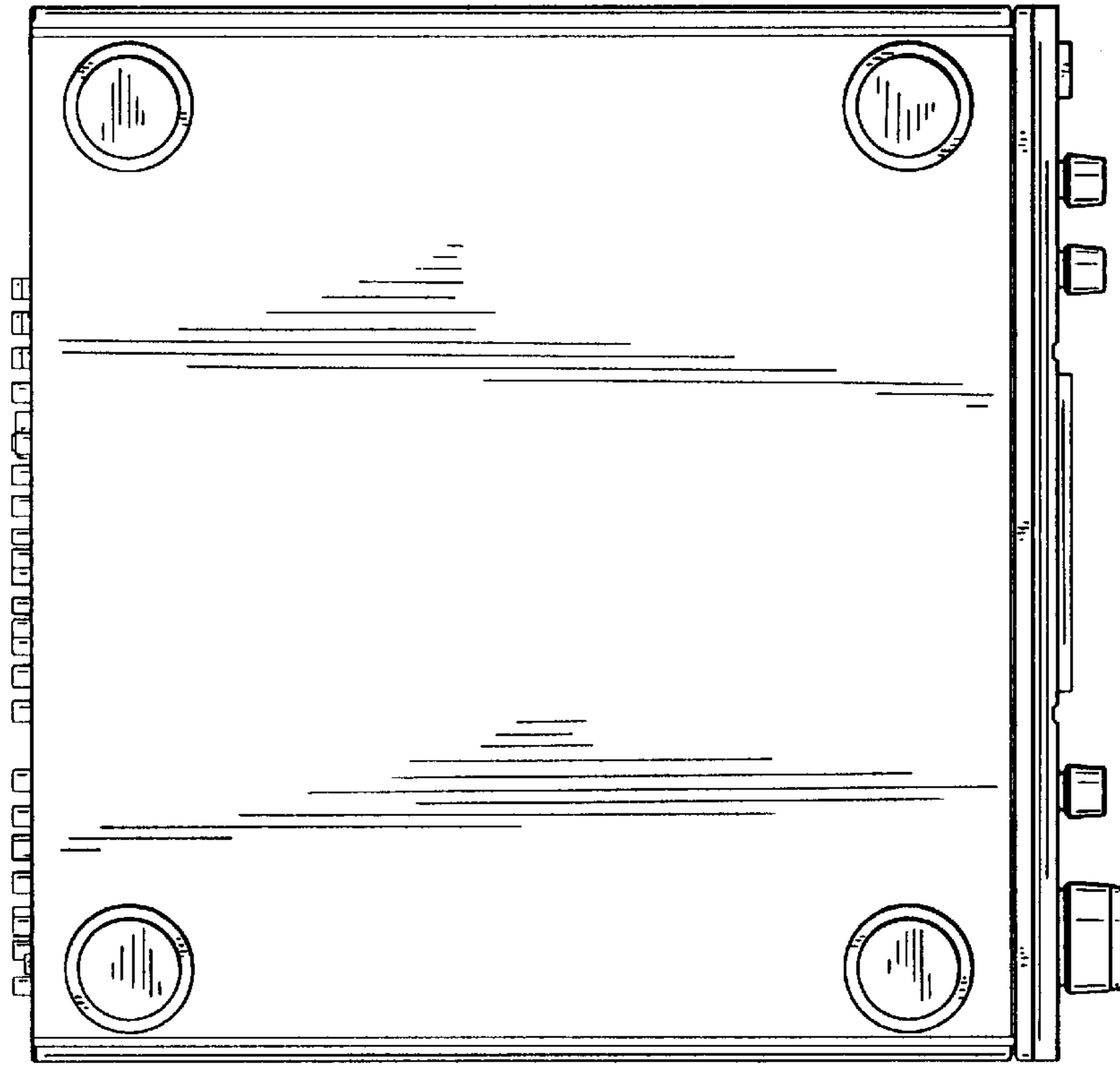


FIG. 2

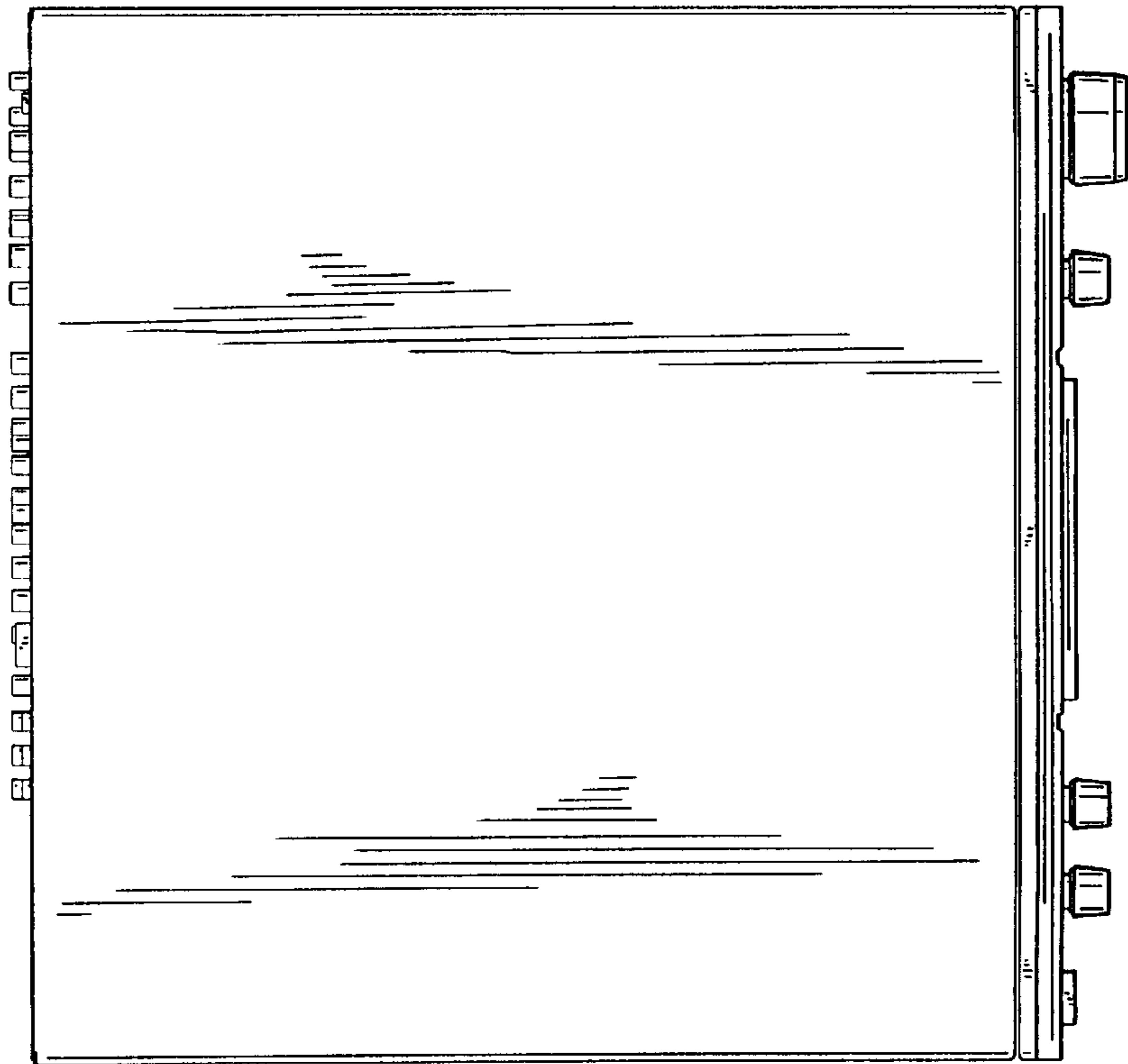


FIG. 5

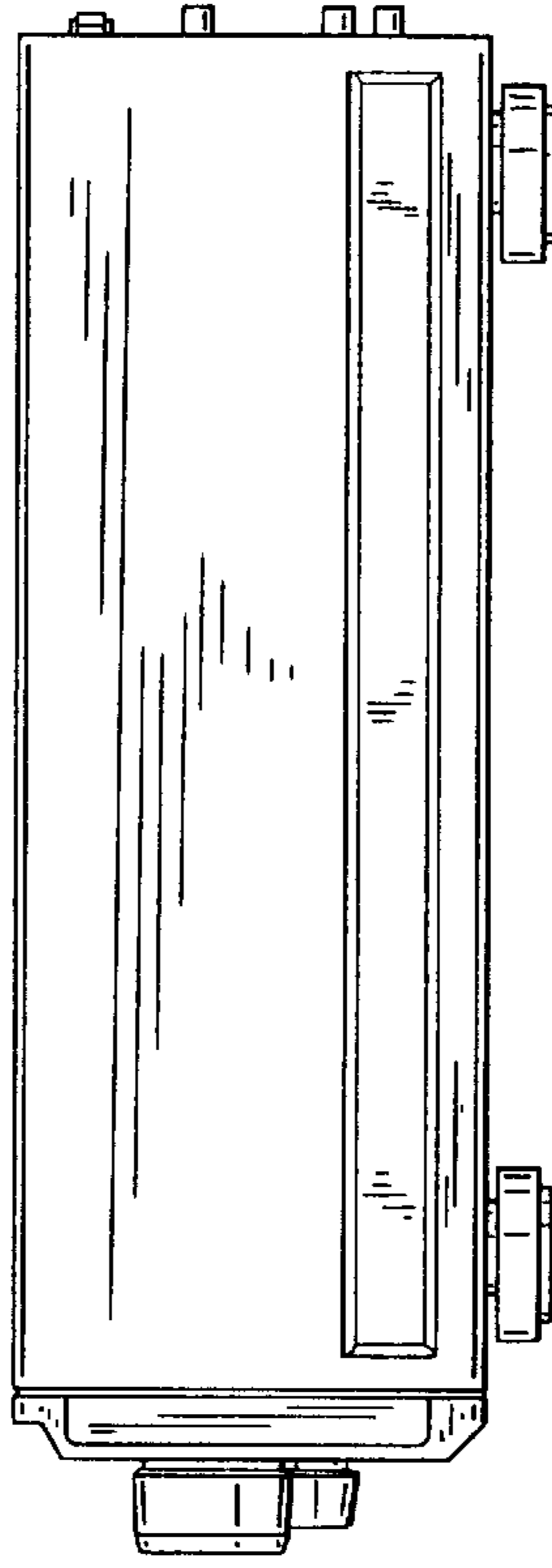


FIG. 3

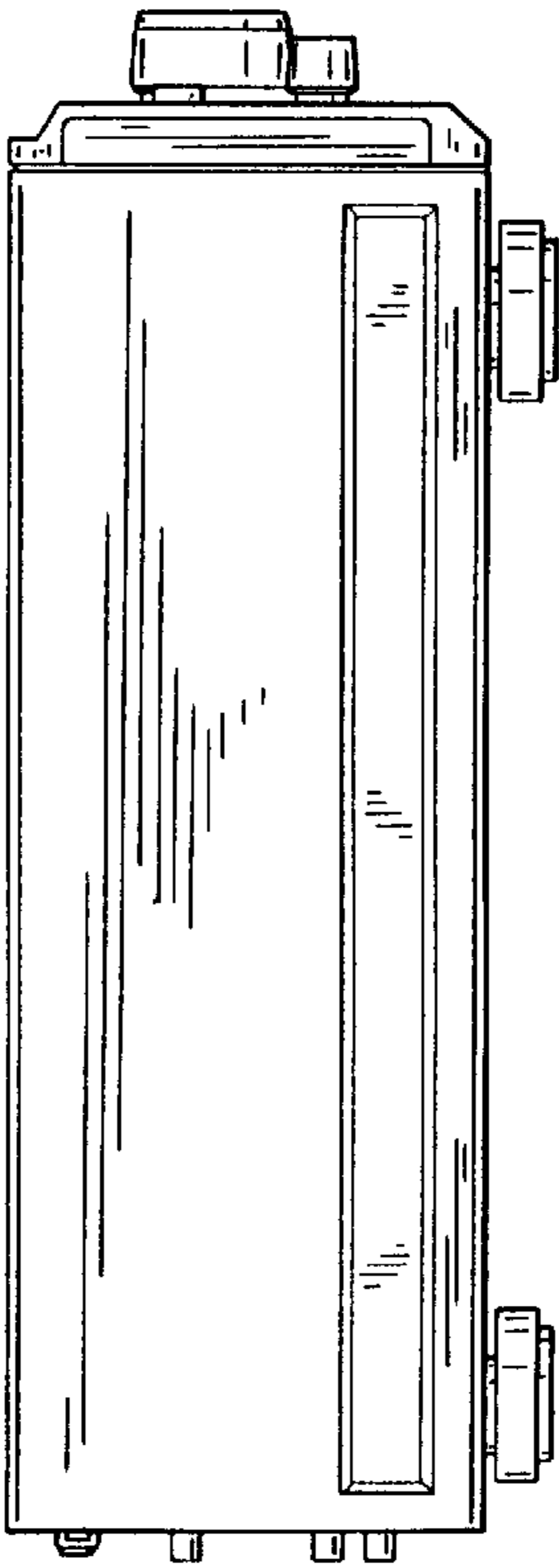


FIG. 6

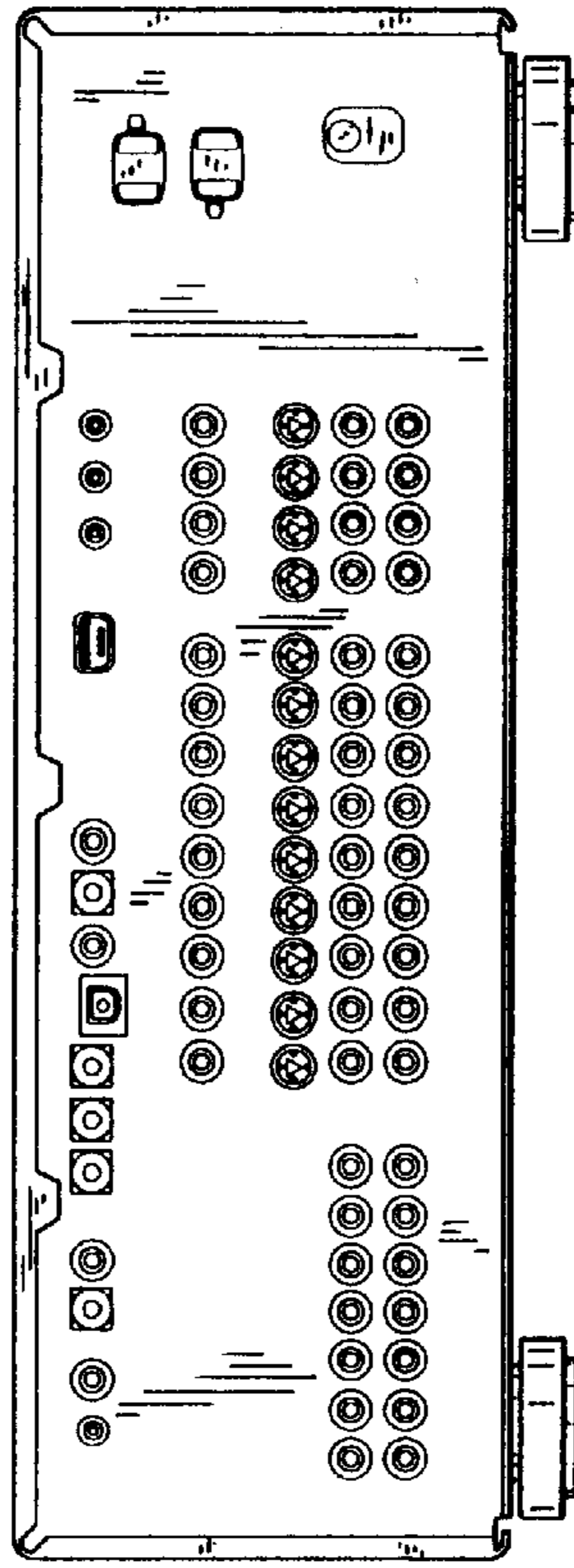


FIG. 4

