



US00D428868S

# United States Patent [19]

[11] Patent Number: **Des. 428,868**

**Bryant et al.**

[45] Date of Patent: **\*\* Aug. 1, 2000**

[54] **CORDLESS TELEPHONE**

[75] Inventors: **David E. Bryant**, Austin, Tex.;  
**Jennifer Kelley**, Cincinnati, Ohio;  
**James J. McDermott**, Austin, Tex.;  
**Wade A. Butcher**, Cedar Park, Tex.;  
**Lu Ann Paletta**, Plano, Tex.; **Doug A. Erwin**, Austin, Tex.; **William J. Morris**, Round Rock, Tex.; **Eileen Schwab**, Schaumburg, Ill.

[73] Assignees: **Siemens Information and Communication Products LLC.**, Austin, Tex.; **Ameritech Corporation**, Chicago, Ill.

[\*\*] Term: **14 Years**

[21] Appl. No.: **29/108,073**

[22] Filed: **Jul. 15, 1999**

[51] **LOC (7) Cl.** ..... **14-03**

[52] **U.S. Cl.** ..... **D14/148; D14/151**

[58] **Field of Search** ..... D14/137, 138, D14/148, 147, 149-151, 140-142, 240, 241, 251, 253; 379/433-436, 419, 420, 428, 440, 454, 455, 446, 447; D13/107, 108; 320/110, 113, 114, 115

[56] **References Cited**

**U.S. PATENT DOCUMENTS**

D. 290,605 6/1987 Offredi ..... D14/151

D. 293,236	12/1987	Mastro et al. ....	D14/151
D. 314,766	2/1991	Goatman .....	D14/151
D. 319,829	9/1991	Wu .....	D14/151
D. 345,975	4/1994	Biskup et al. ....	D14/149
D. 352,032	11/1994	Cowan .....	D14/151
D. 352,497	11/1994	Scianna, Sr. et al. ....	D13/108
D. 372,027	7/1996	Tomoike .....	D14/151
D. 375,935	11/1996	Nagele et al. ....	D13/108
D. 401,235	11/1998	Fuke et al. ....	D14/149
D. 405,447	2/1999	Landry et al. ....	D14/151
D. 409,190	5/1999	Tamura et al. ....	D14/151
D. 412,169	7/1999	Schnell, III et al. ....	D14/138
D. 412,502	8/1999	Fuke et al. ....	D14/148
D. 413,119	8/1999	Schnell, III et al. ....	D14/151
D. 414,489	9/1999	Voigt et al. ....	D14/148
5,121,427	6/1992	Gumb et al. ....	379/435
5,577,118	11/1996	Sasaki et al. ....	379/428

*Primary Examiner*—Jeffrey Asch

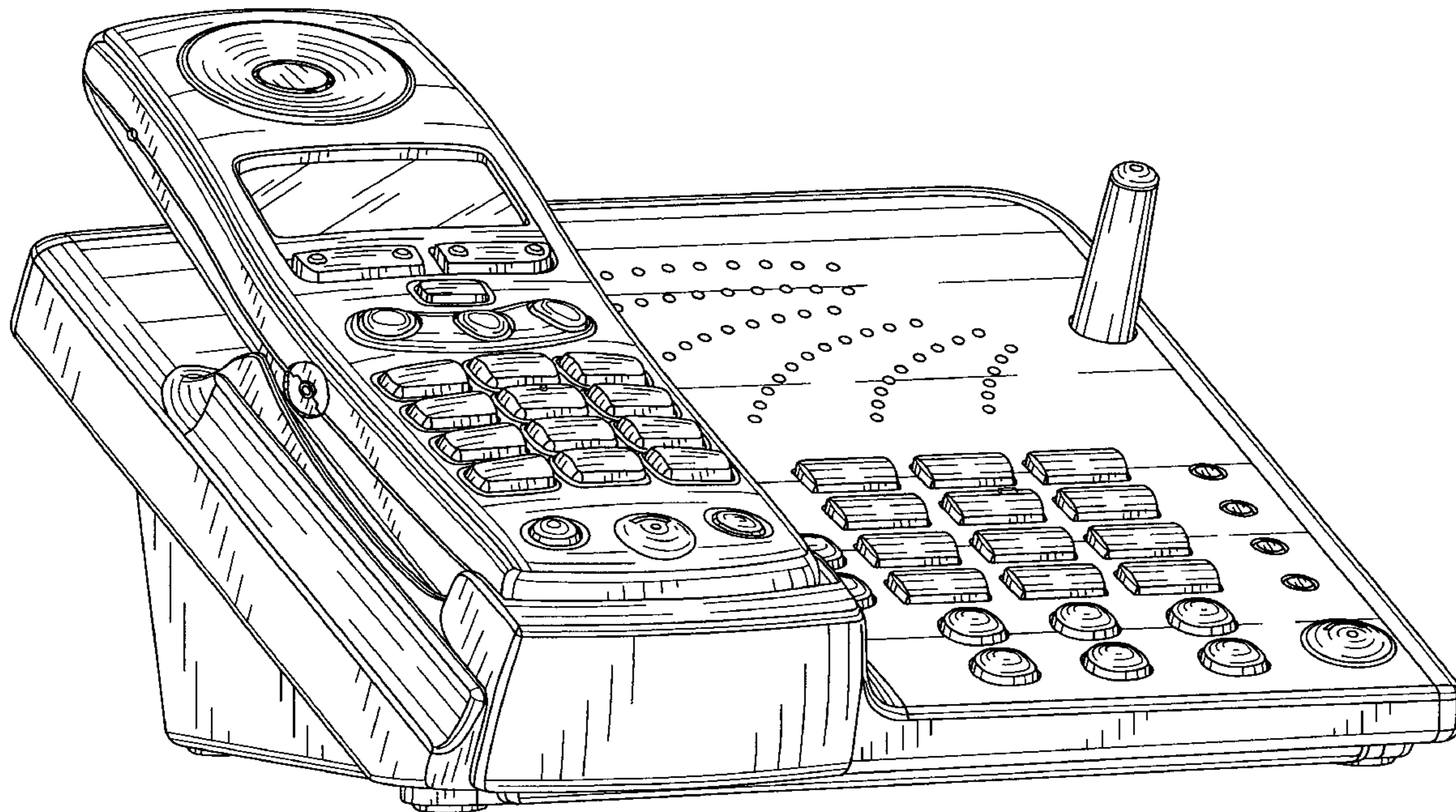
[57] **CLAIM**

The ornamental design for a cordless telephone, as shown and described.

**DESCRIPTION**

FIG. 1 is a front perspective view of the cordless telephone of the present invention.  
FIG. 2 is a front view of the cordless telephone.  
FIG. 3 is a back view of the cordless telephone.  
FIG. 4 is a top view of the cordless telephone.  
FIG. 5 is a bottom view of the cordless telephone.  
FIG. 6 is a right-side view of the cordless telephone; and, FIG. 7 is a left-side view of the cordless telephone.

**1 Claim, 7 Drawing Sheets**



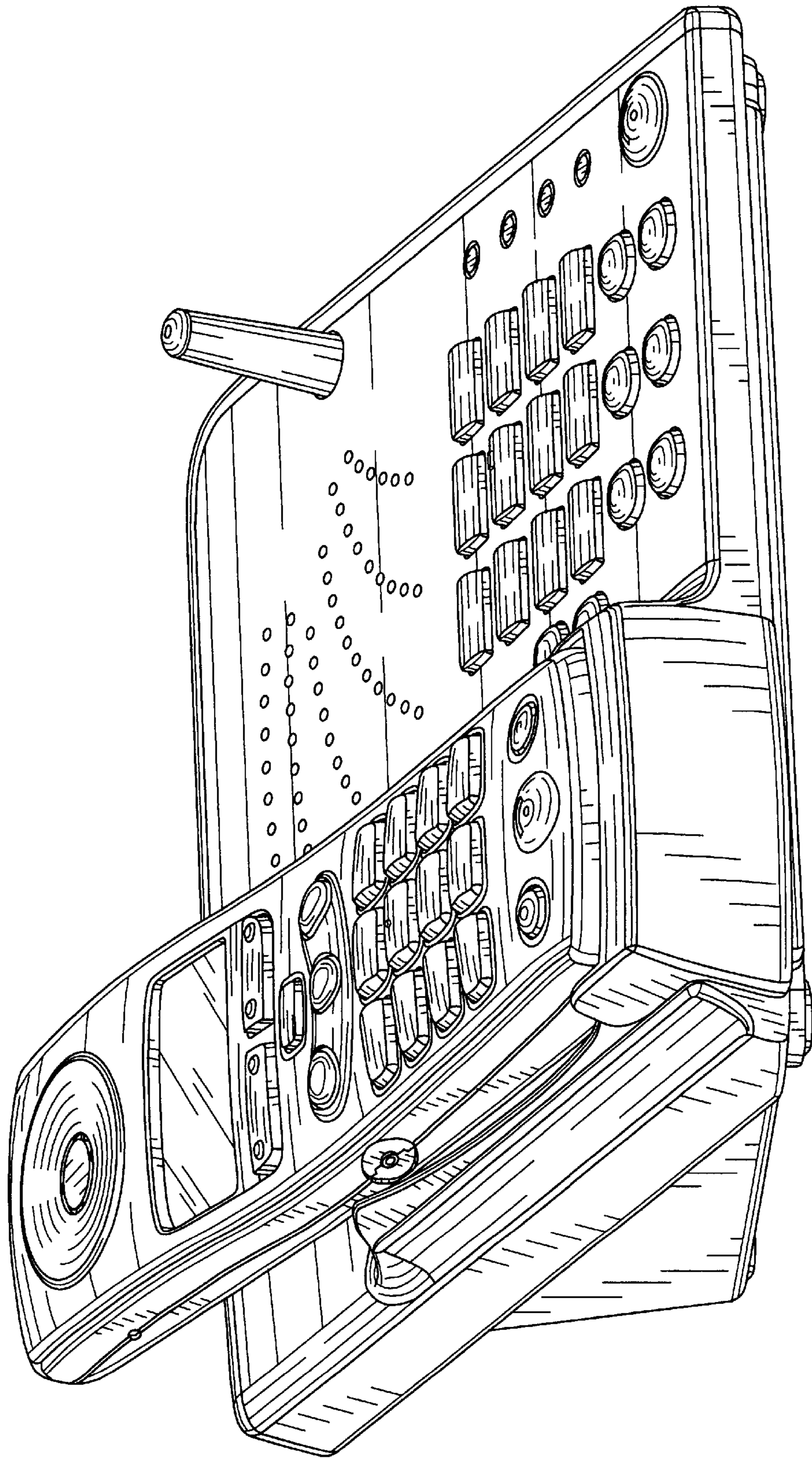


FIG. 1

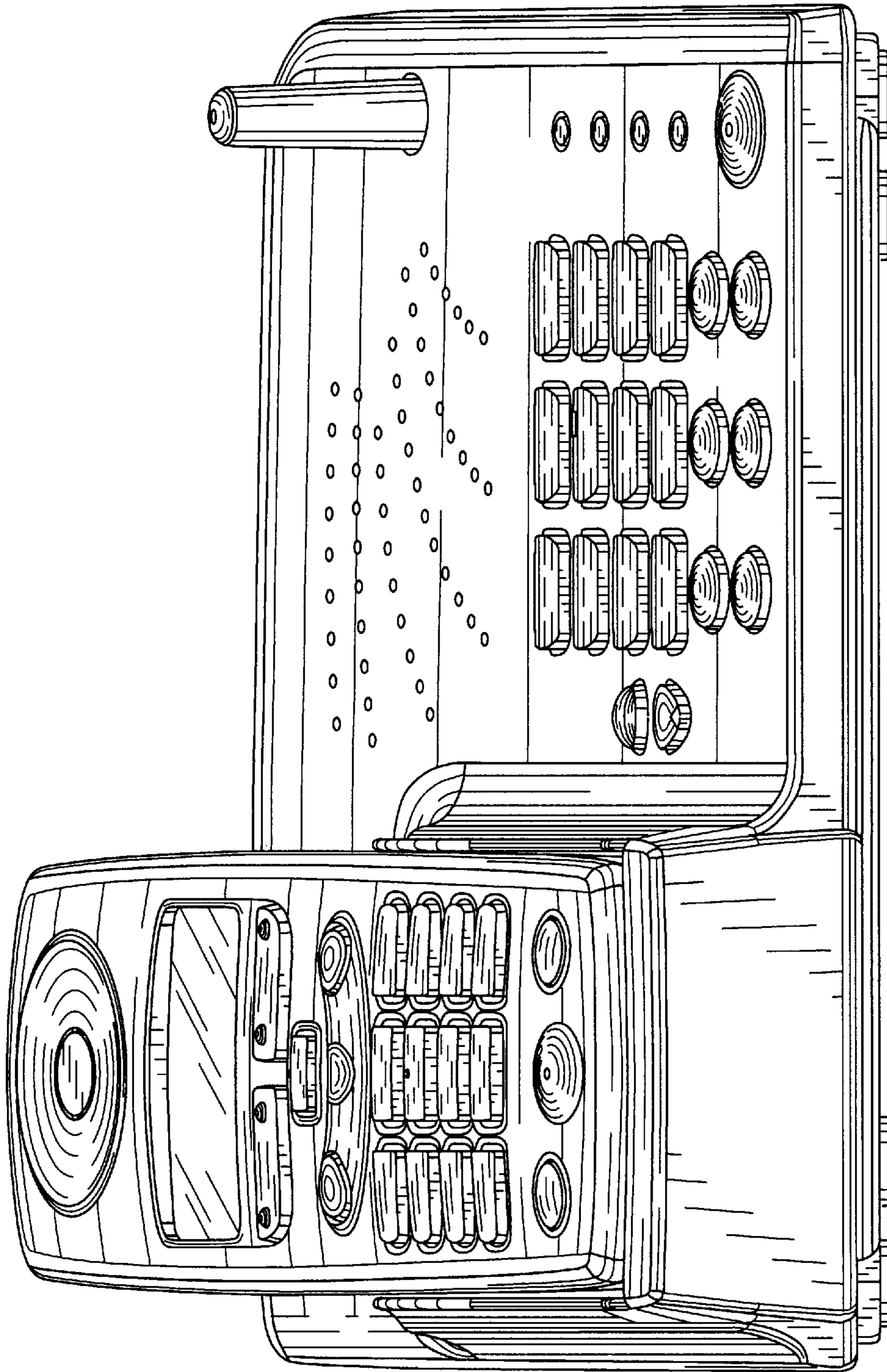


FIG. 2

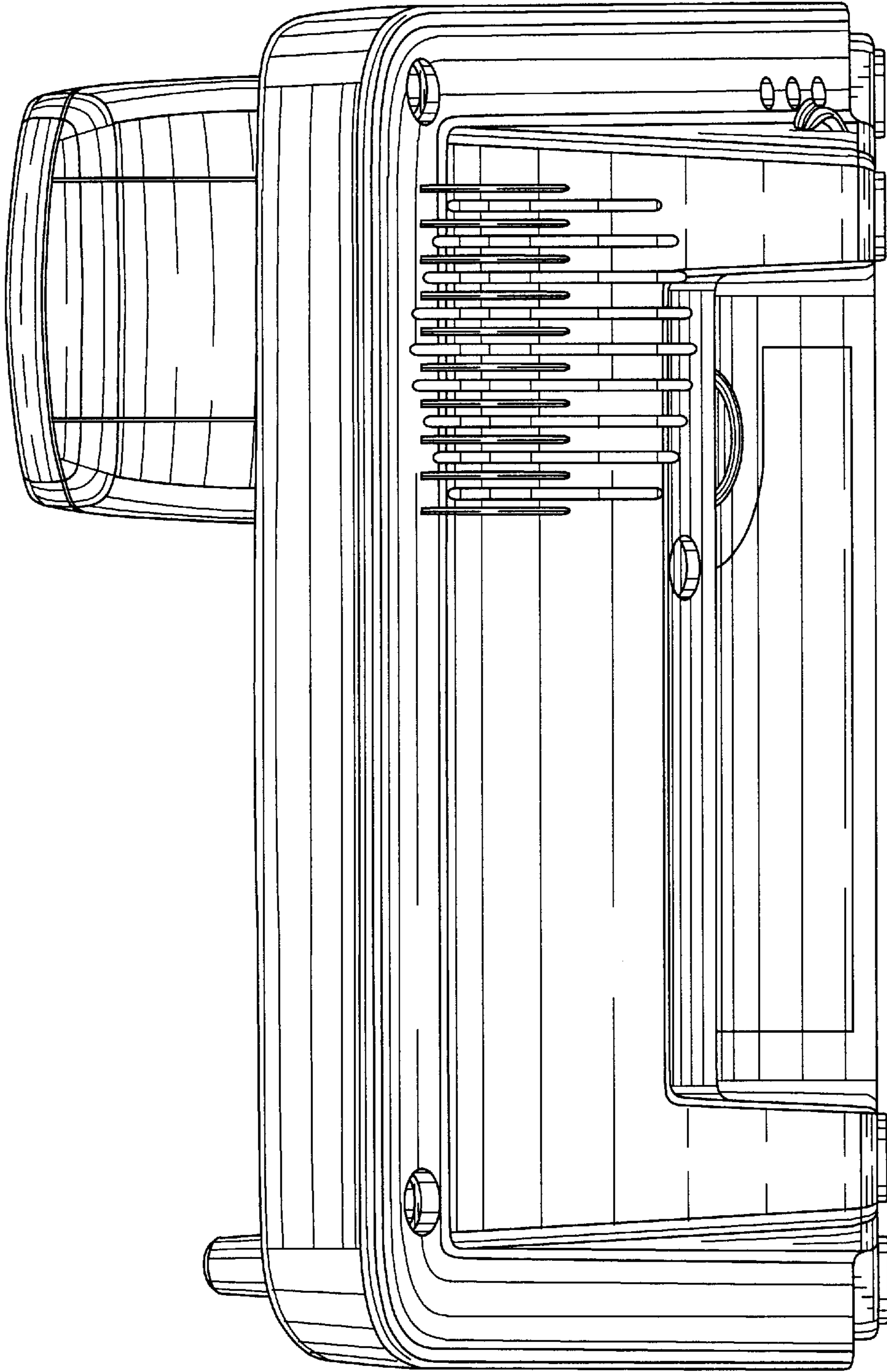


FIG. 3

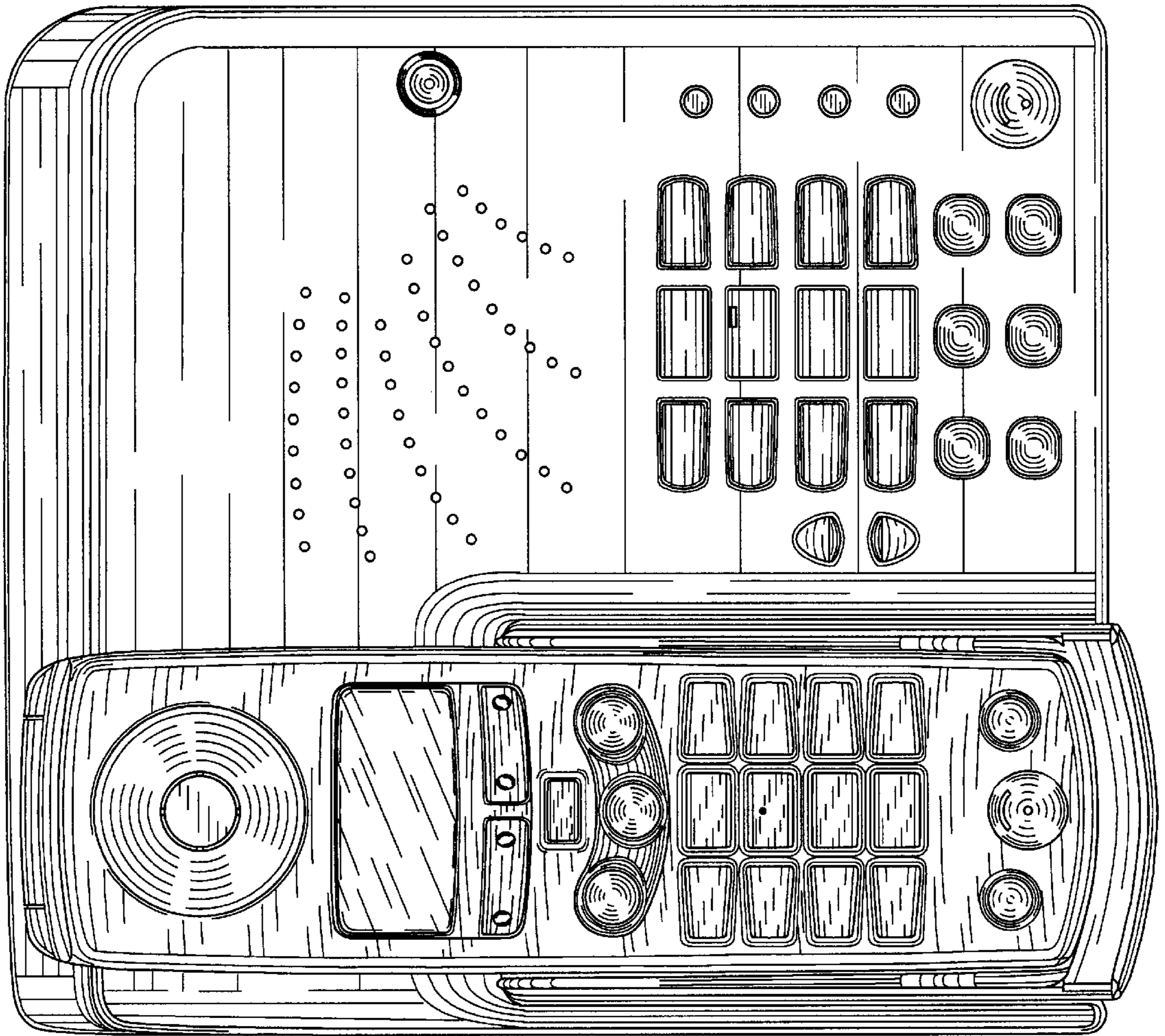


FIG. 4

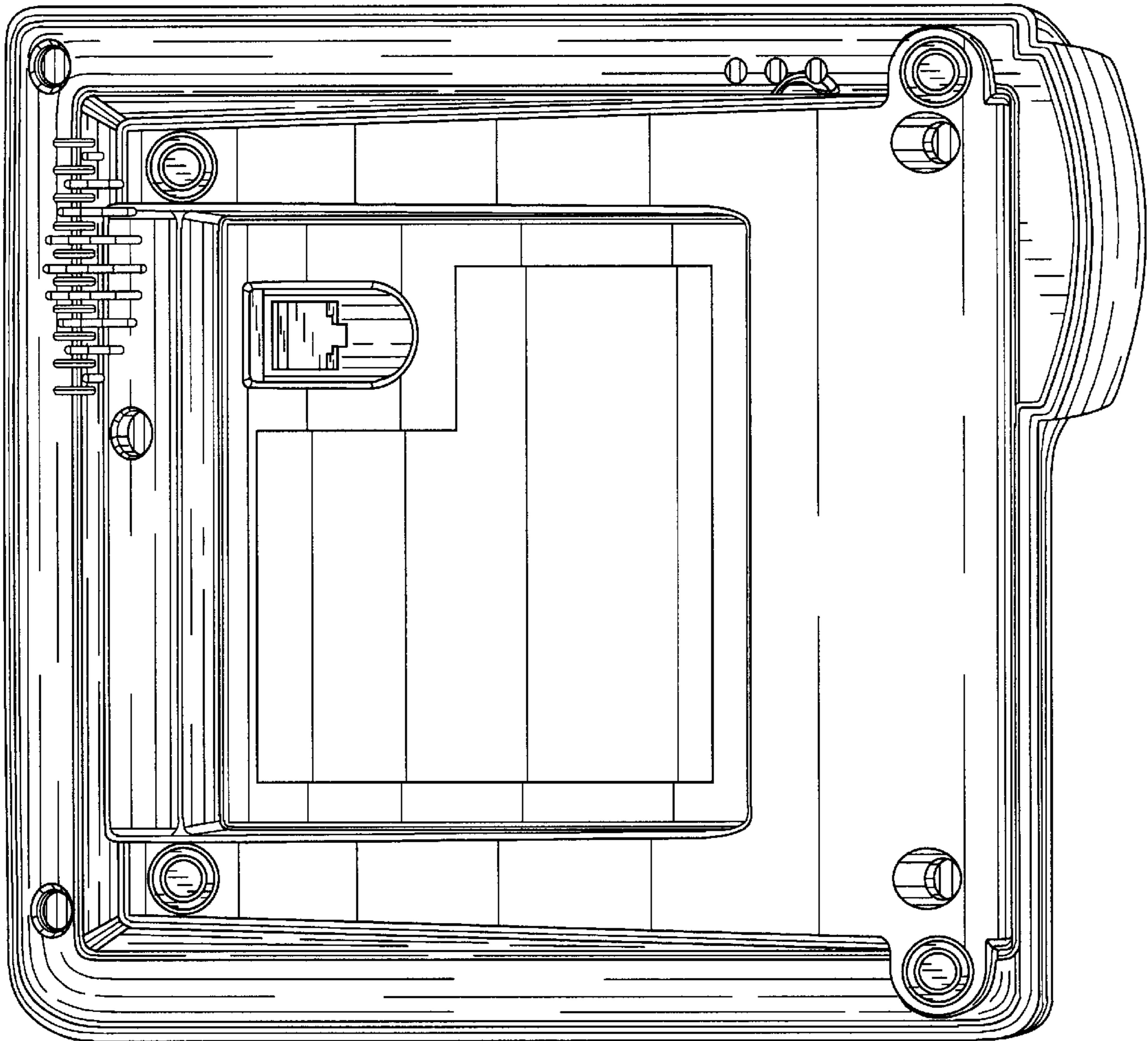


FIG. 5

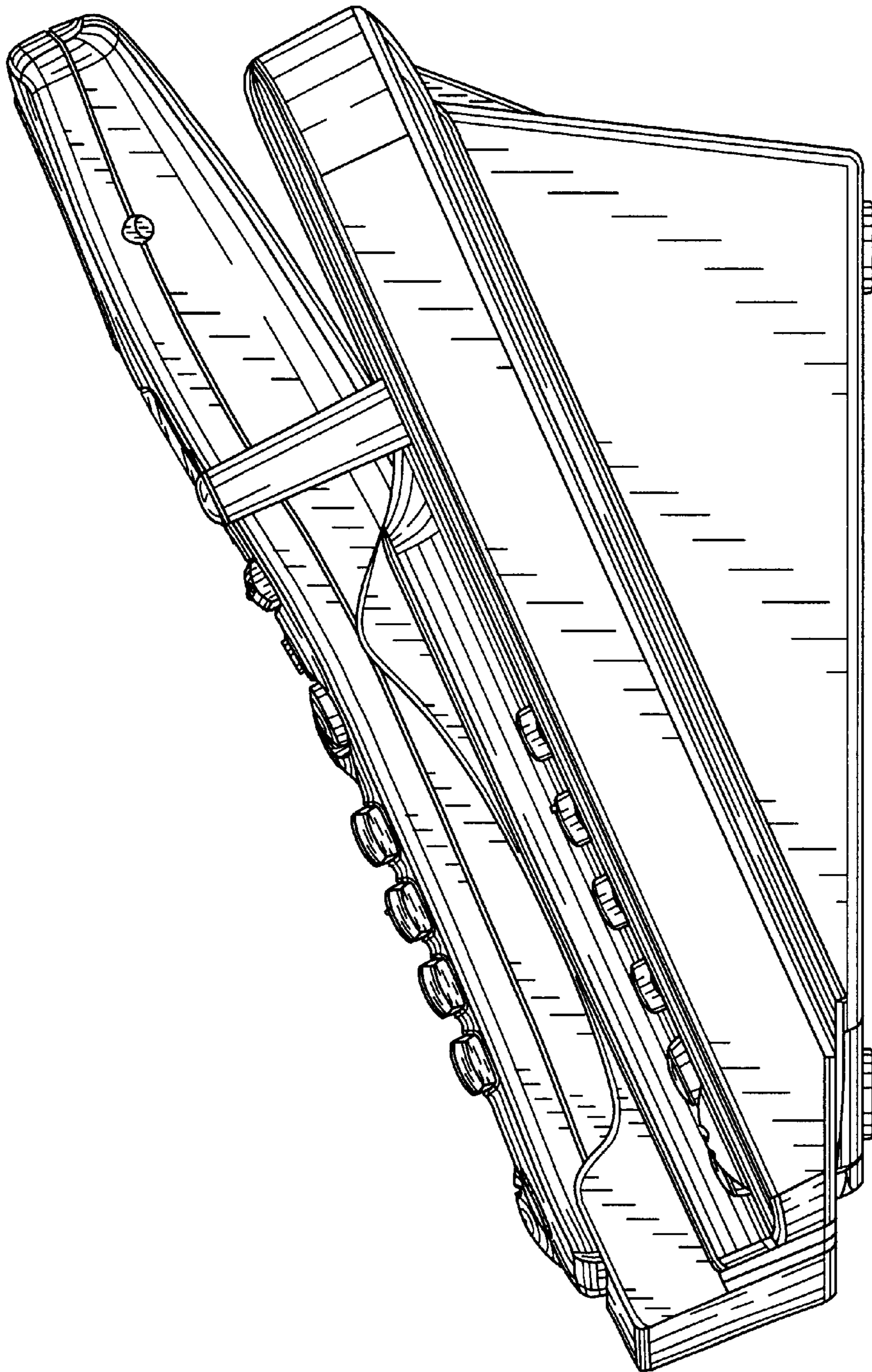


FIG. 6

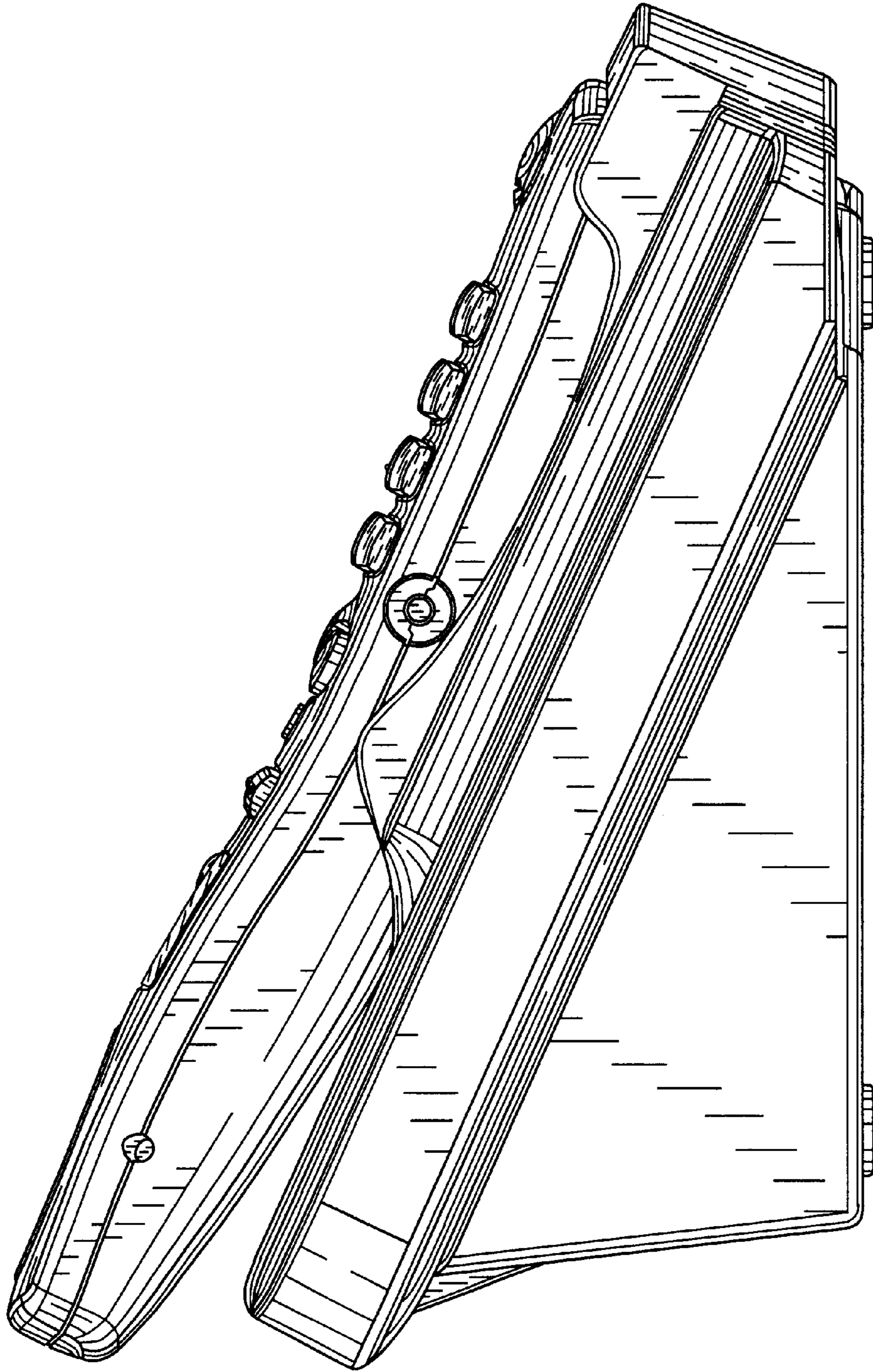


FIG. 7