



US00D428862S

United States Patent [19]
Queffelec et al.

[11] **Patent Number: Des. 428,862**
[45] **Date of Patent: ** Aug. 1, 2000**

[54] **FOLDING BLADE ASSEMBLY**
[75] Inventors: **John A. Queffelec**, Carol Stream;
Craig M. Cors, Aurora; **Francis J. Saliga**, Berwyn, all of Ill.
[73] Assignee: **International Components Corp.**,
Chicago, Ill.
[**] Term: **14 Years**

5,423,690	6/1995	Selker et al.	439/172
5,474,464	12/1995	Drewnicki	439/172
5,494,449	2/1996	Chioo	439/761
5,540,596	7/1996	Bothe et al.	439/76.1
5,611,701	3/1997	Hahn	439/131
5,613,863	3/1997	Klaus et al.	439/131
5,616,051	4/1997	Rogers et al.	439/518
5,628,641	5/1997	Hahn	439/131
5,634,806	6/1997	Hahn	439/173
5,648,712	7/1997	Hahn	439/170
5,684,689	11/1997	Hahn	363/146
5,791,921	8/1998	Lee	439/172

[21] Appl. No.: **29/092,723**
[22] Filed: **Aug. 25, 1998**

Primary Examiner—Adir Aronovich
Attorney, Agent, or Firm—Fitch, Even, Tabin & Flannery

[51] **LOC (7) Cl.** **13-03**
[52] **U.S. Cl.** **D13/184; D13/107**
[58] **Field of Search** **D13/107, 110,**
D13/184; 439/131, 172, 173; 363/146

[57] **CLAIM**

The ornamental design for a folding blade assembly, as shown and described.

[56] **References Cited**

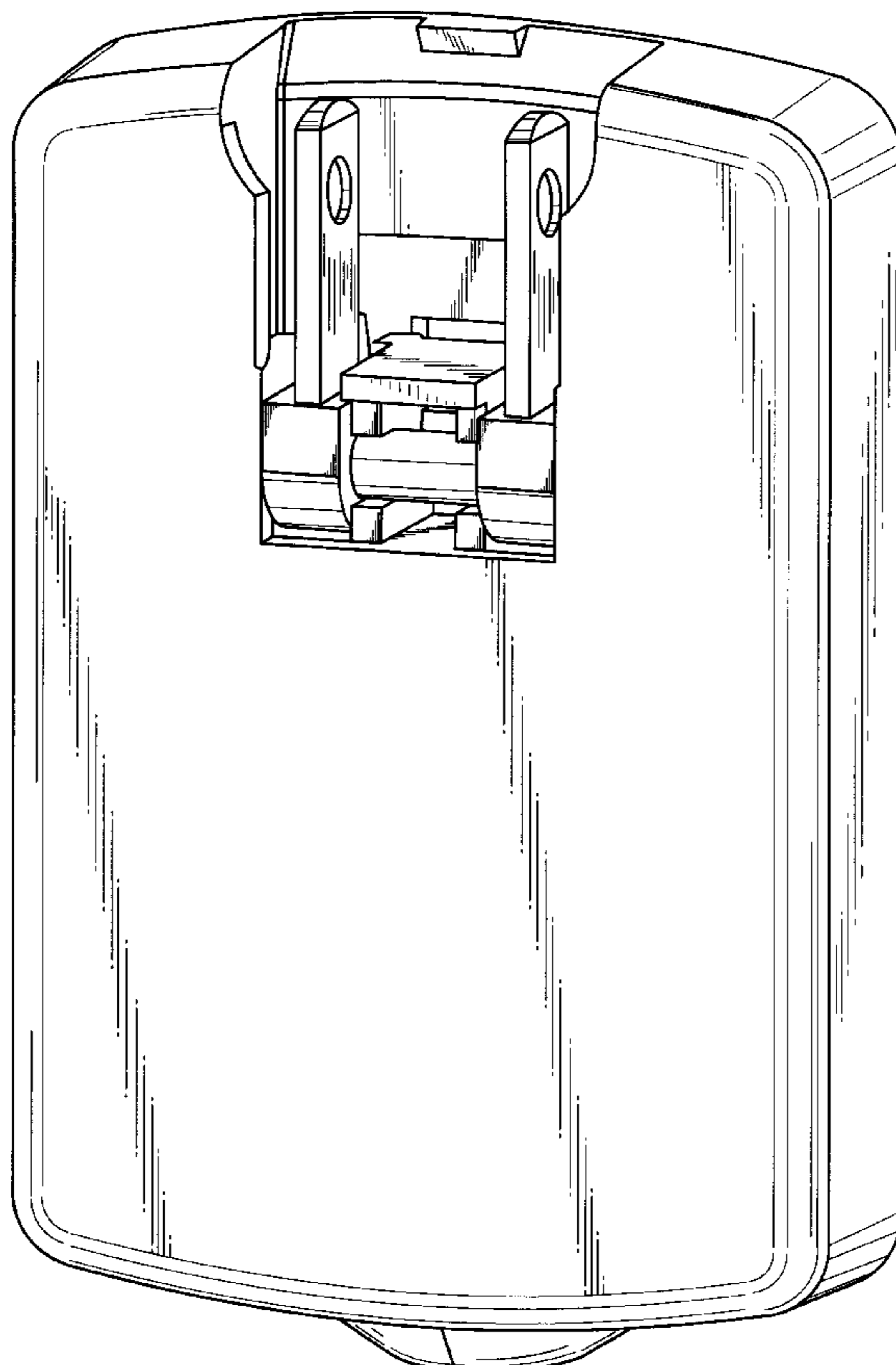
DESCRIPTION

U.S. PATENT DOCUMENTS

D. 339,563	9/1993	Usami	D13/107
D. 350,113	8/1994	Nagele	D13/110
D. 357,224	4/1995	Nagele et al.	D13/107
3,079,475	2/1963	Rumble .	
3,996,546	12/1976	Hugly	336/107
4,543,624	9/1985	Rumble	363/146
4,815,983	3/1989	Erickson et al.	439/173
4,973,827	11/1990	Nozaki	219/521
4,997,381	3/1991	Oh	439/172
5,159,545	10/1992	Lee	363/146

FIG. 1 is a front perspective view of a folding blade assembly showing our new design with the blades in a folded position;
FIG. 2 is a front perspective view thereof with the blades in an extended position; and,
FIG. 3 is an enlarged perspective view of the folding blade, the housing being omitted for ease of illustration.
The rear of the folding blade assembly forms no part of the claimed design.

1 Claim, 3 Drawing Sheets



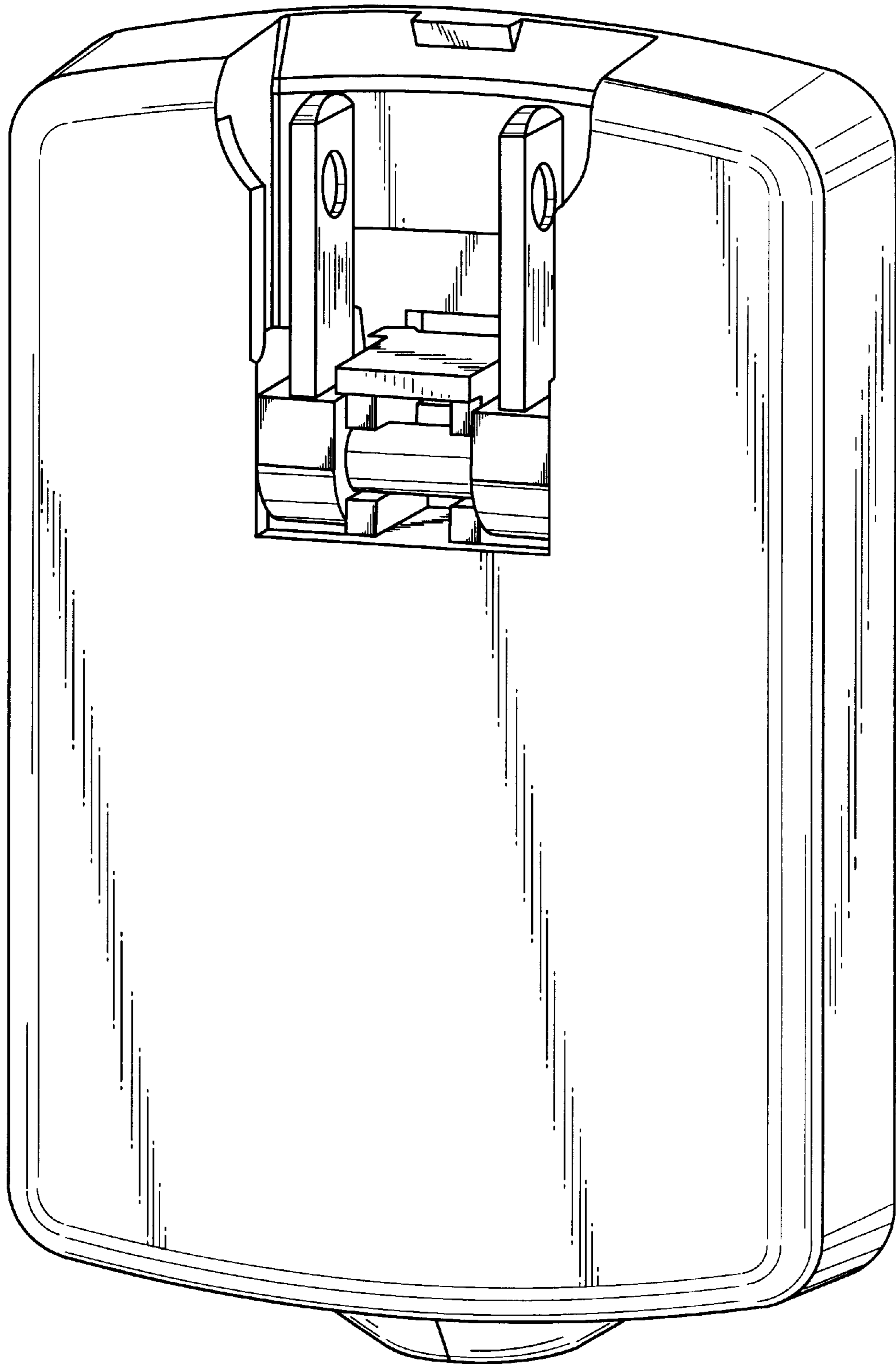


Fig. 1

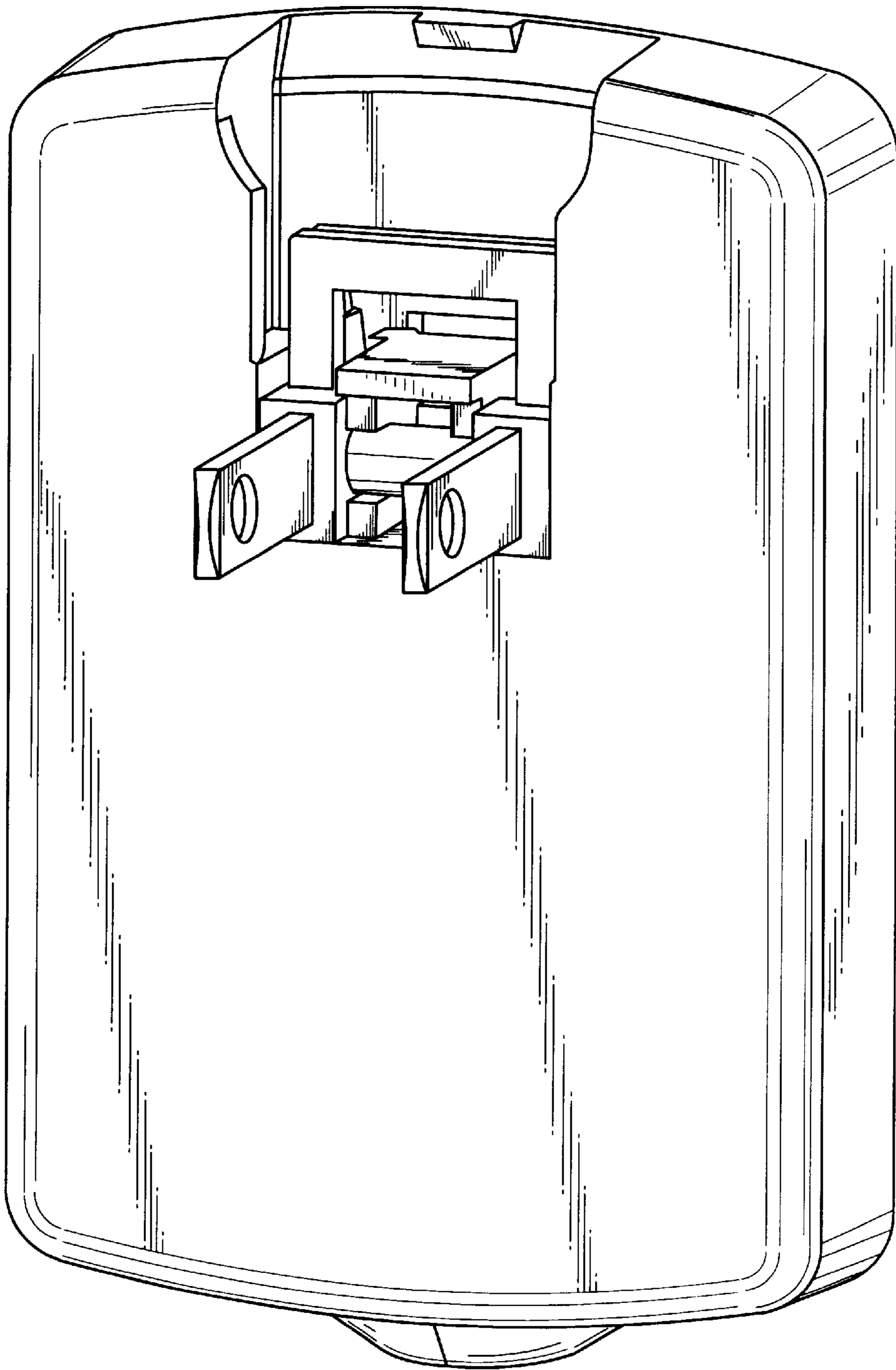


Fig. 2

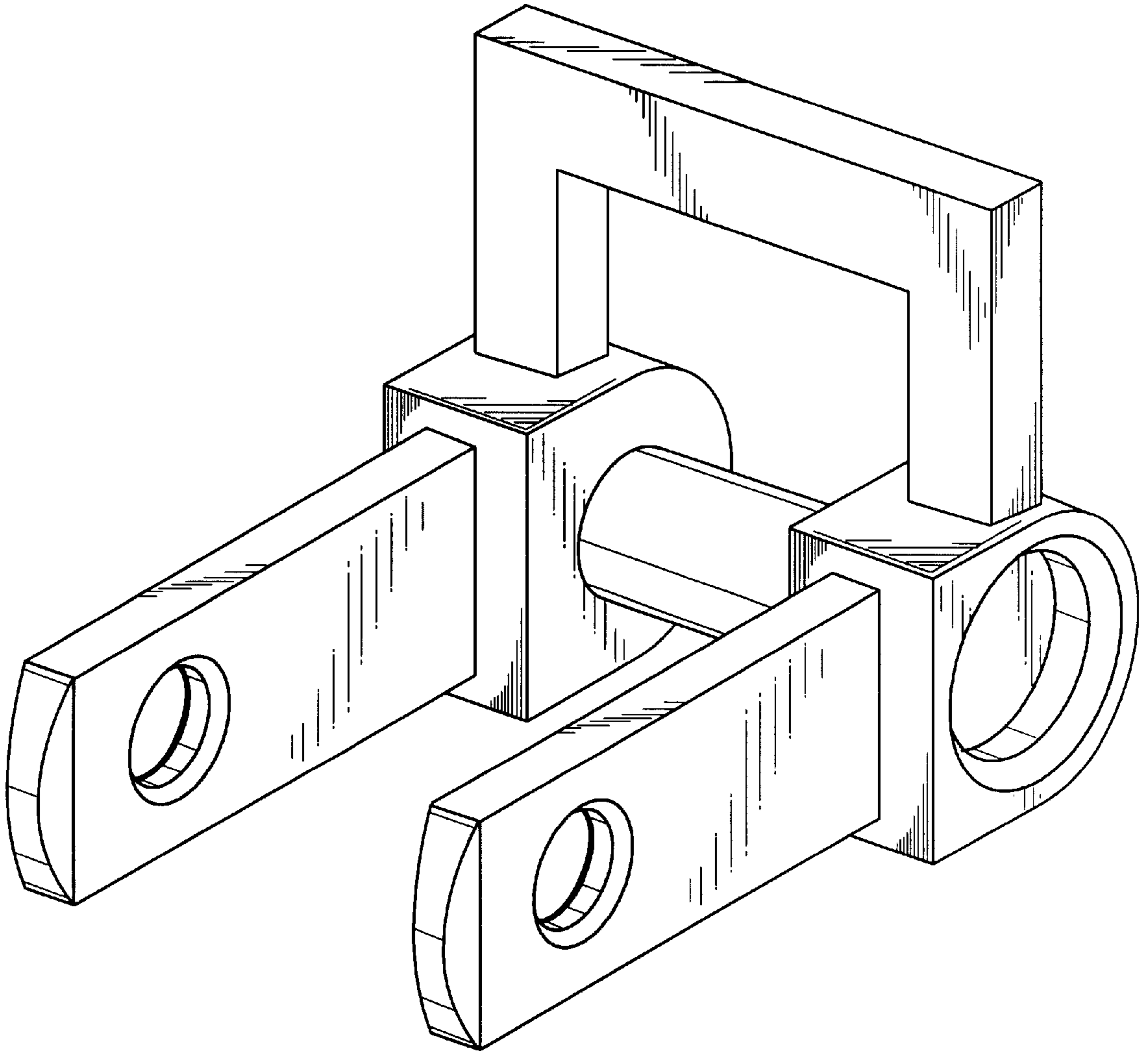


Fig. 3