



US00D428861S

United States Patent [19] O'Sullivan et al.

[11] Patent Number: **Des. 428,861**

[45] Date of Patent: **** Aug. 1, 2000**

[54] **CARRIER FOR AN ELECTRONIC DEVICE**

5,729,060 3/1998 Shih 361/685 X
5,767,445 6/1998 Wu 361/685 X
5,831,820 11/1998 Huang 361/686

[75] Inventors: **Hans O'Sullivan**, Glencormac;
Brendan Farrell, Dalkey, both of
Ireland

Primary Examiner—Brian N. Vinson
Attorney, Agent, or Firm—Woodcock Washburn Kurtz
Mackiewicz & Norris LLP

[73] Assignee: **Richmount Computer Limited**, Ireland

[**] Term: **14 Years**

[57] CLAIM

[21] Appl. No.: **29/079,251**

The ornamental design for “a carrier for an electronic device,” as shown and described.

[22] Filed: **Nov. 10, 1997**

DESCRIPTION

[51] **LOC (7) Cl.** **13-03**

FIG. 1 is a front perspective view of the carrier for an electronic device;

[52] **U.S. Cl.** **D13/184**

FIG. 2 is a front elevational view thereof;

[58] **Field of Search** D13/184; 361/600,
361/679, 683, 684, 685, 686

FIG. 3 is a rear elevational view thereof;

FIG. 4 is a left side elevational view thereof;

[56] References Cited

U.S. PATENT DOCUMENTS

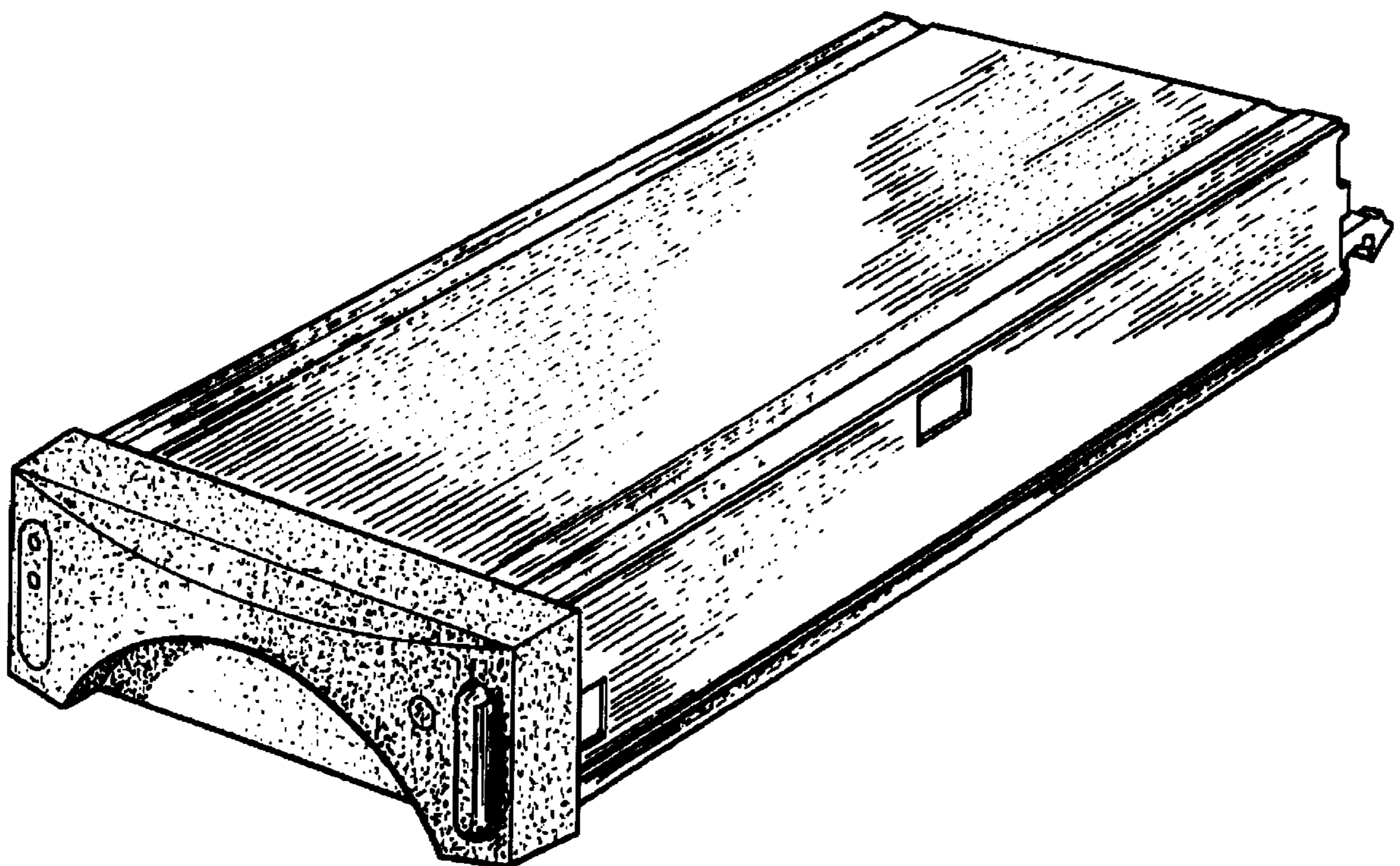
D. 316,853 5/1991 Dickey D13/184 X
D. 353,800 12/1994 Lewis et al. D13/184
D. 404,018 1/1999 Tucker et al. D13/184

FIG. 5 is a right side elevational view thereof;

FIG. 6 is a top plan view thereof; and,

FIG. 7 is a bottom plan view thereof.

1 Claim, 7 Drawing Sheets



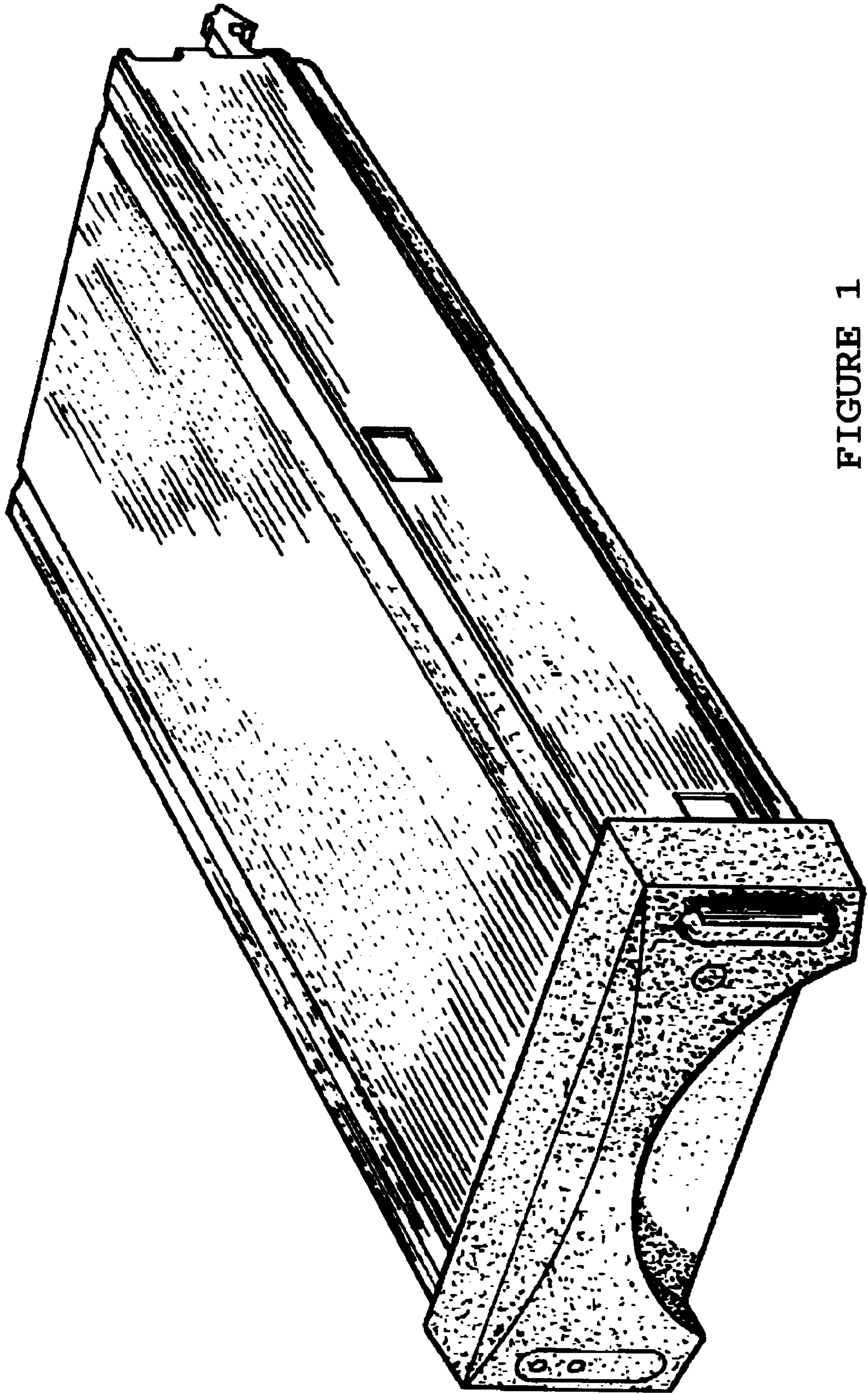


FIGURE 1

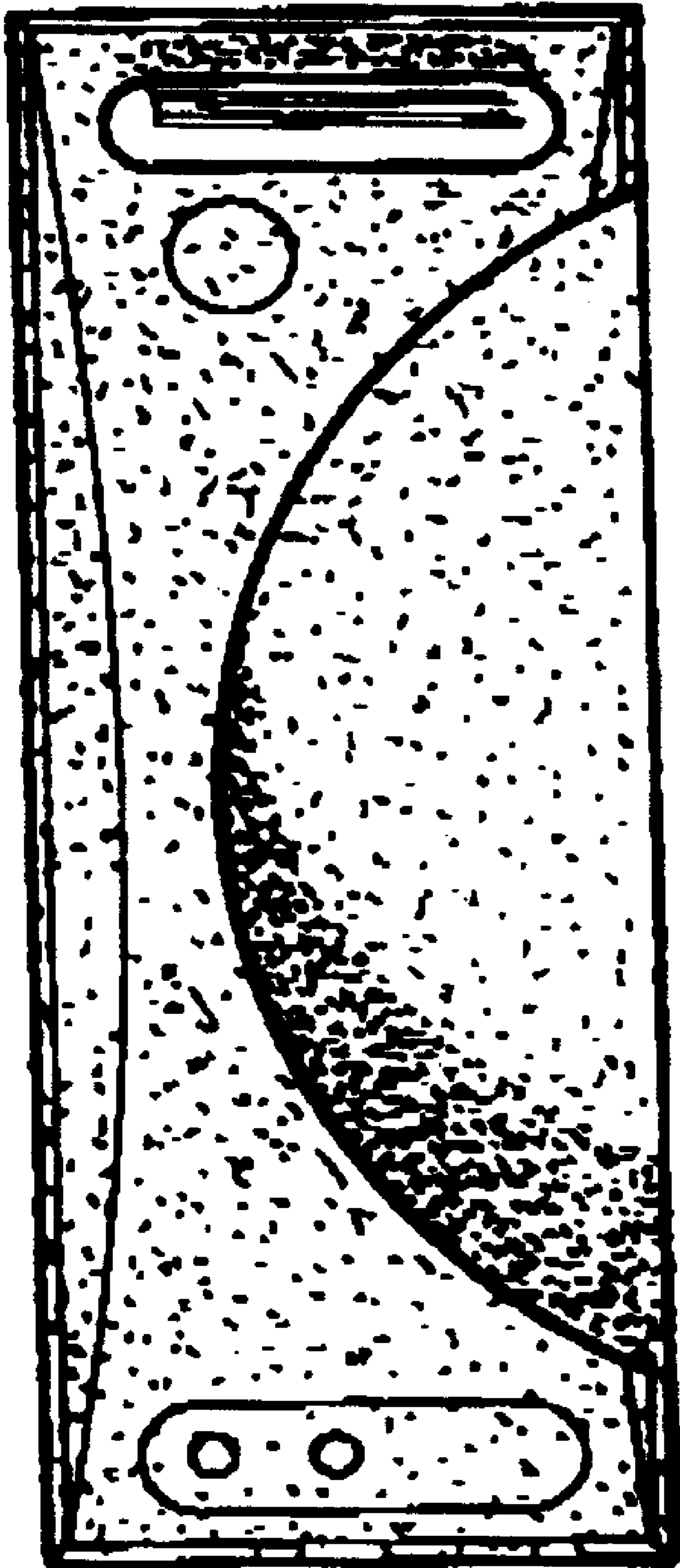


FIGURE 2

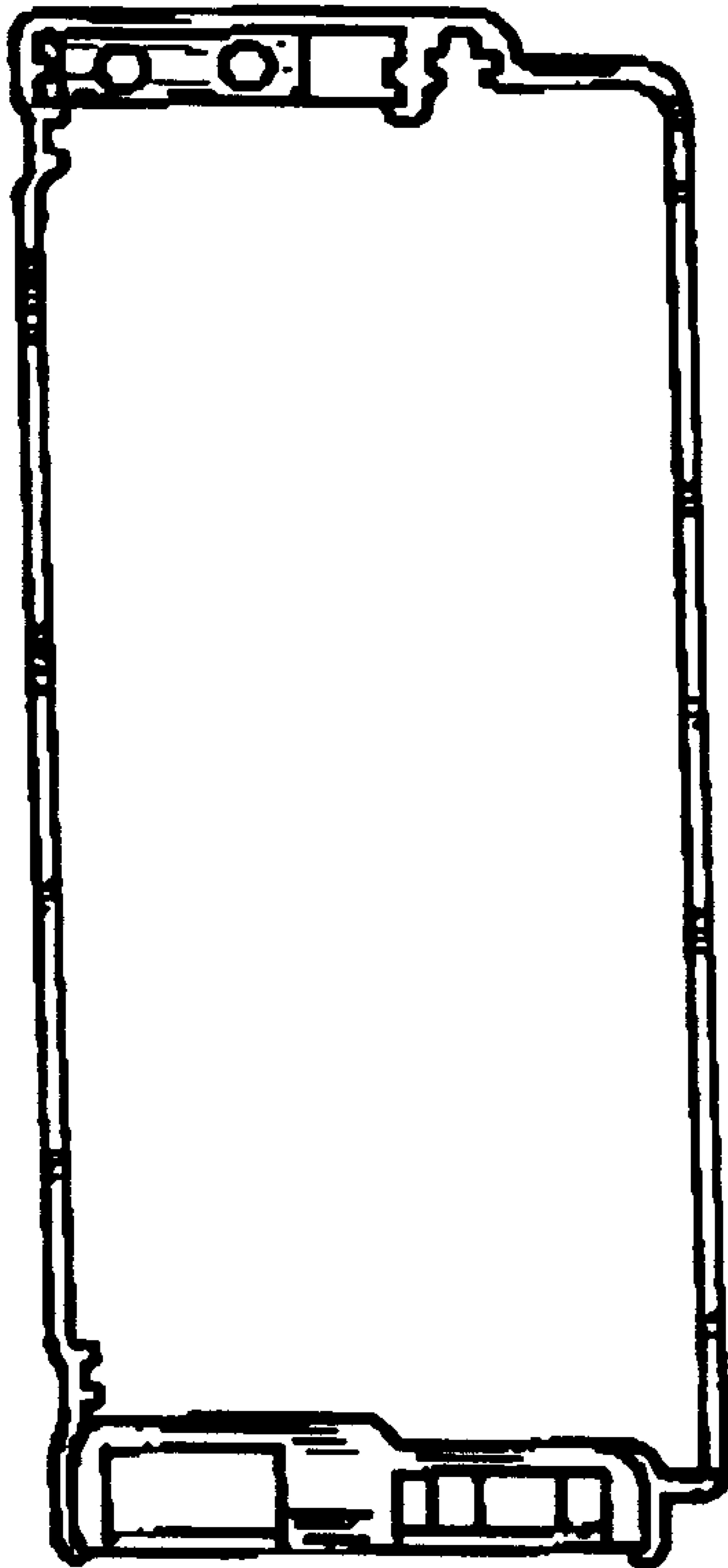


FIGURE 3

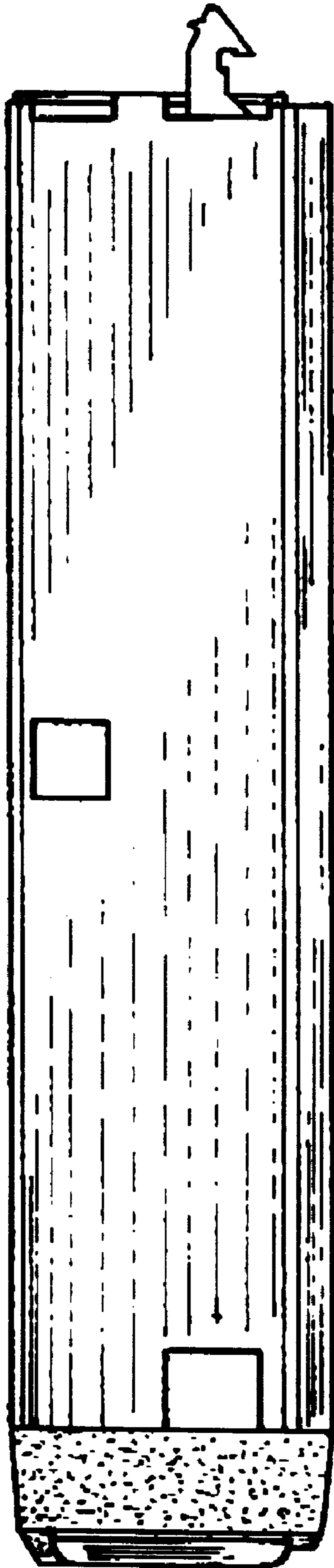


FIGURE 4

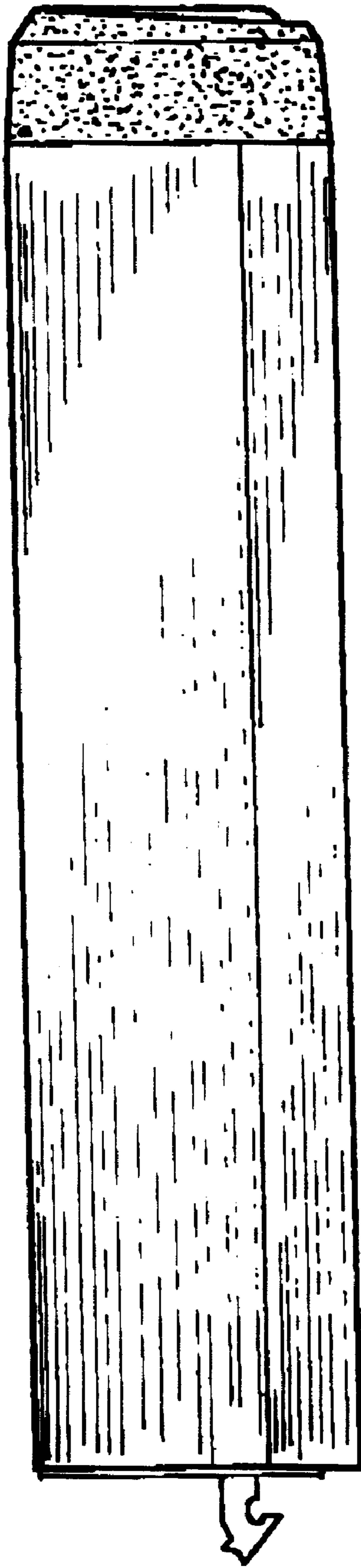


FIGURE 5

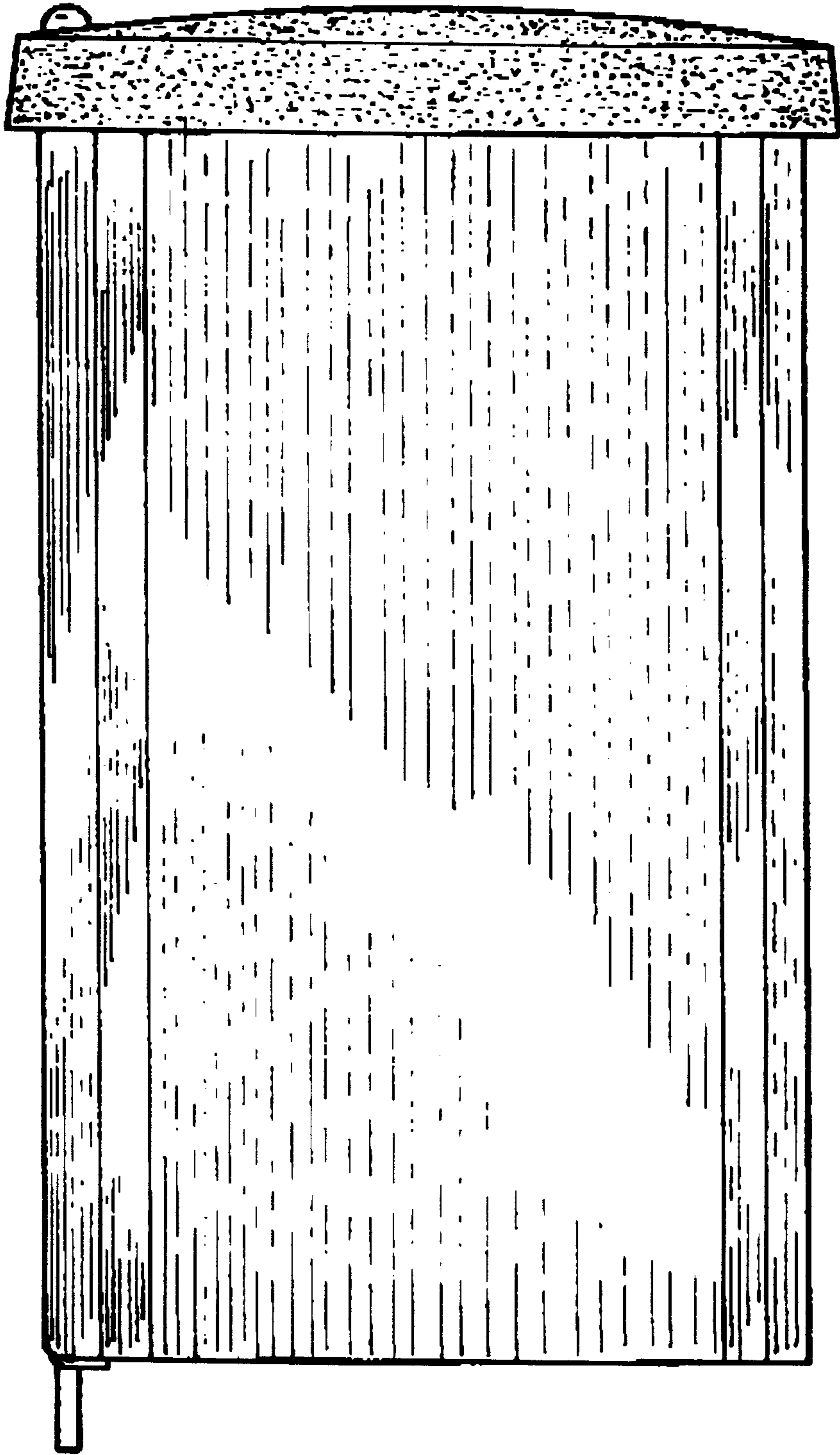


FIGURE 6

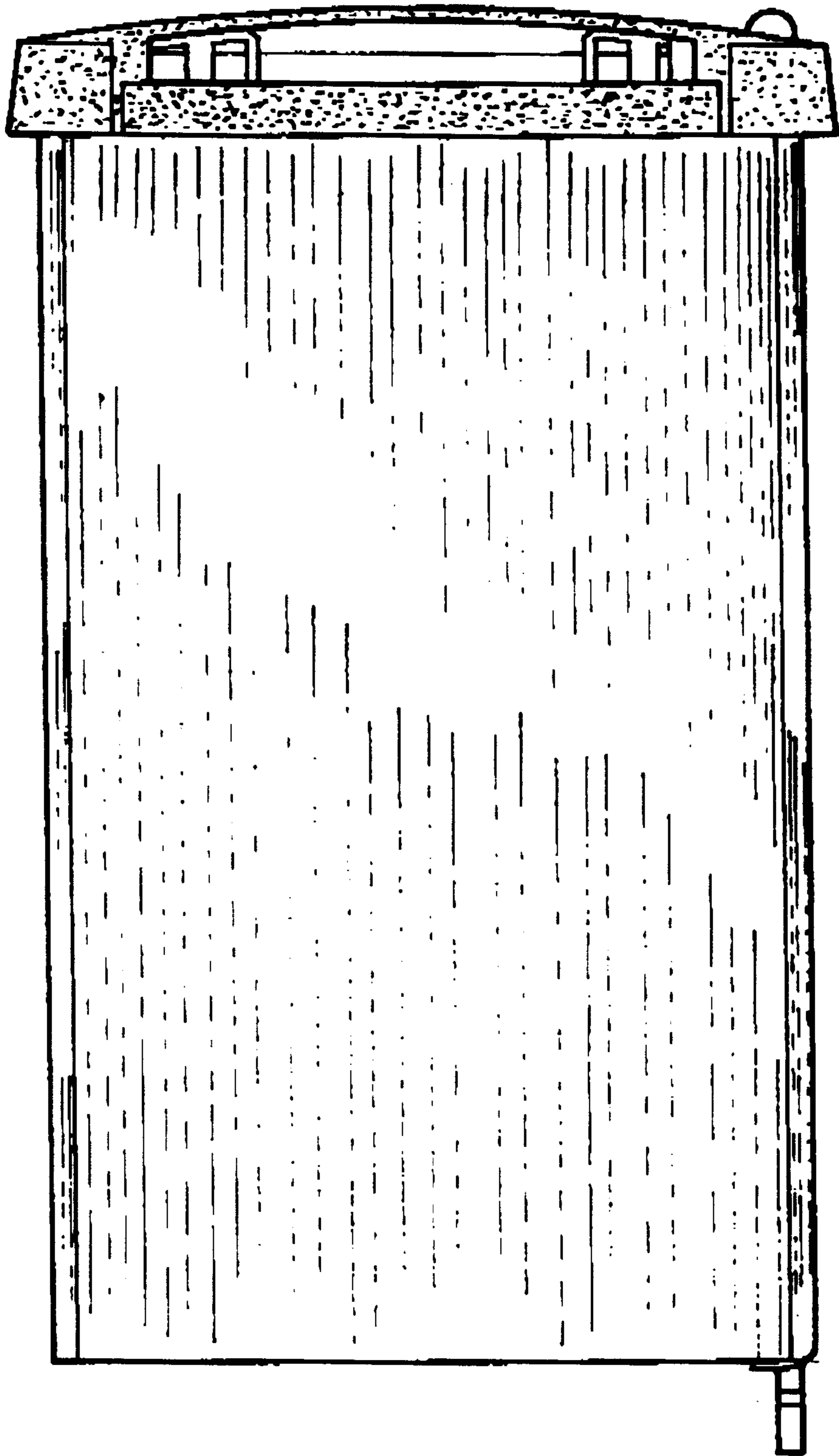


FIGURE 7