



US00D428858S

# United States Patent [19]

Ishii

[11] Patent Number: **Des. 428,858**

[45] Date of Patent: **\*\* Aug. 1, 2000**

[54] **QUARTZ FIN HEAT RETAINING TUBE**

[75] Inventor: **Katsutoshi Ishii**, Kanagawa, Japan

[73] Assignee: **Tokyo Electron Limited**, Tokyo-To, Japan

[\*\*] Term: **14 Years**

[21] Appl. No.: **29/074,279**

[22] Filed: **Jul. 24, 1997**

### [30] Foreign Application Priority Data

Jan. 31, 1997 [JP] Japan ..... 9-2648

[51] **LOC (7) Cl.** ..... **13-03**

[52] **U.S. Cl.** ..... **D13/182; D23/340; D15/144; 392/416; 118/724**

[58] **Field of Search** ..... **D23/340; D13/182, D13/174; D15/144, 144.1, 199; 392/416, 418; 118/724, 725, 500**

### [56] References Cited

#### U.S. PATENT DOCUMENTS

D. 361,752 8/1995 Yamaga ..... D13/182

D. 380,454 7/1997 Iwai et al. .... D13/182  
5,303,671 4/1994 Kondo et al. .... 118/725  
5,482,558 1/1996 Watanabe et al. .... 118/725

*Primary Examiner*—Lisa Lichtenstein  
*Attorney, Agent, or Firm*—Ladas & Parry

### [57] CLAIM

The ornamental design for a quartz fin heat retaining tube, as shown and described.

### DESCRIPTION

FIG. 1 a perspective view of a quartz fin heat retaining tube.  
FIG. 2 a front elevational view thereof, the rear elevational view being a mirror image of the front view.  
FIG. 3 a top plan view thereof.  
FIG. 4 a bottom plan view thereof.  
FIG. 5 a left side view thereof.  
FIG. 6 a right side view thereof.  
FIG. 7 a cross sectional view thereof taken along line 7—7 in FIG. 3; and,  
FIG. 8 a cross sectional view thereof taken along line 8—8 in FIG. 2.

**1 Claim, 4 Drawing Sheets**

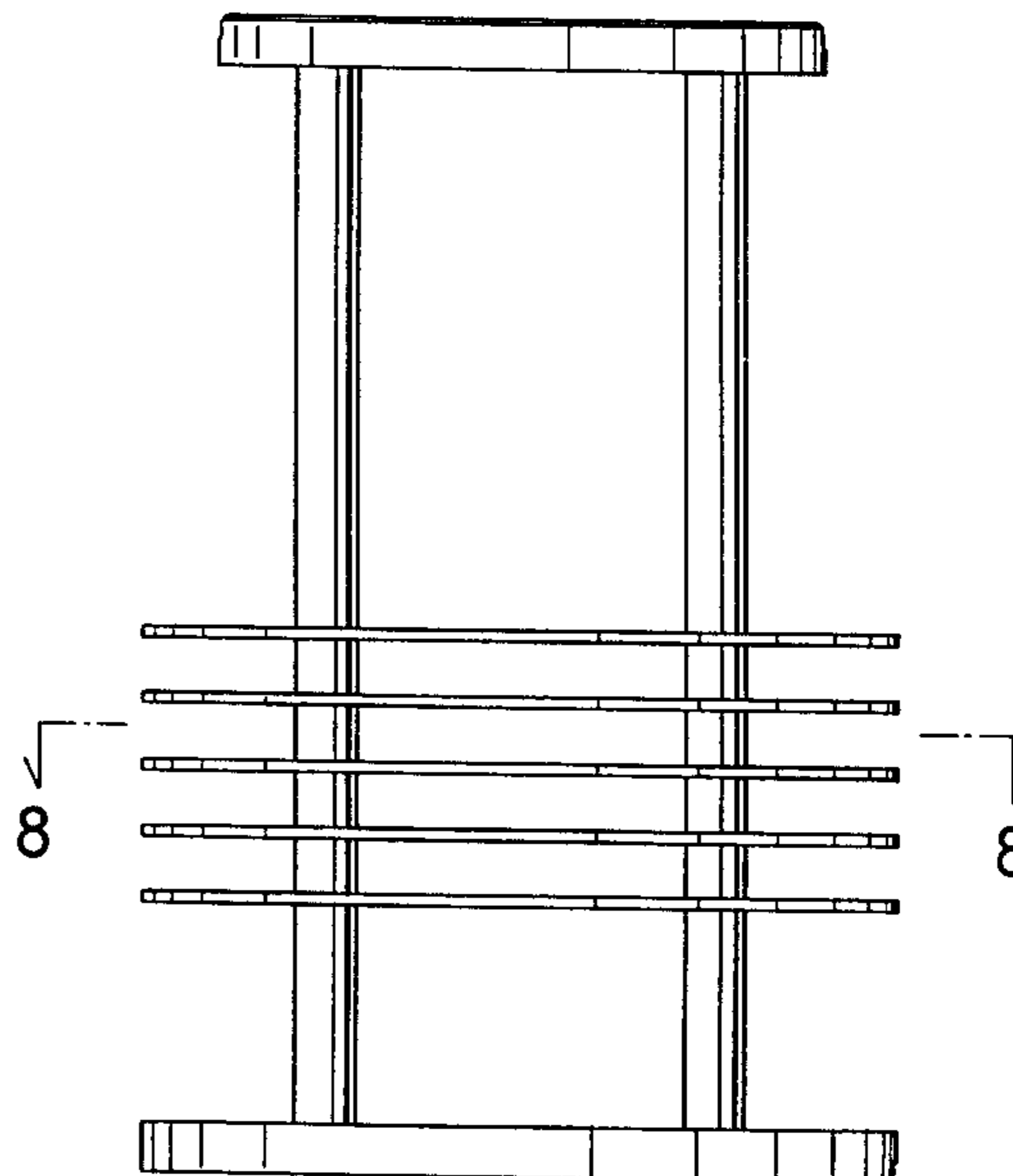
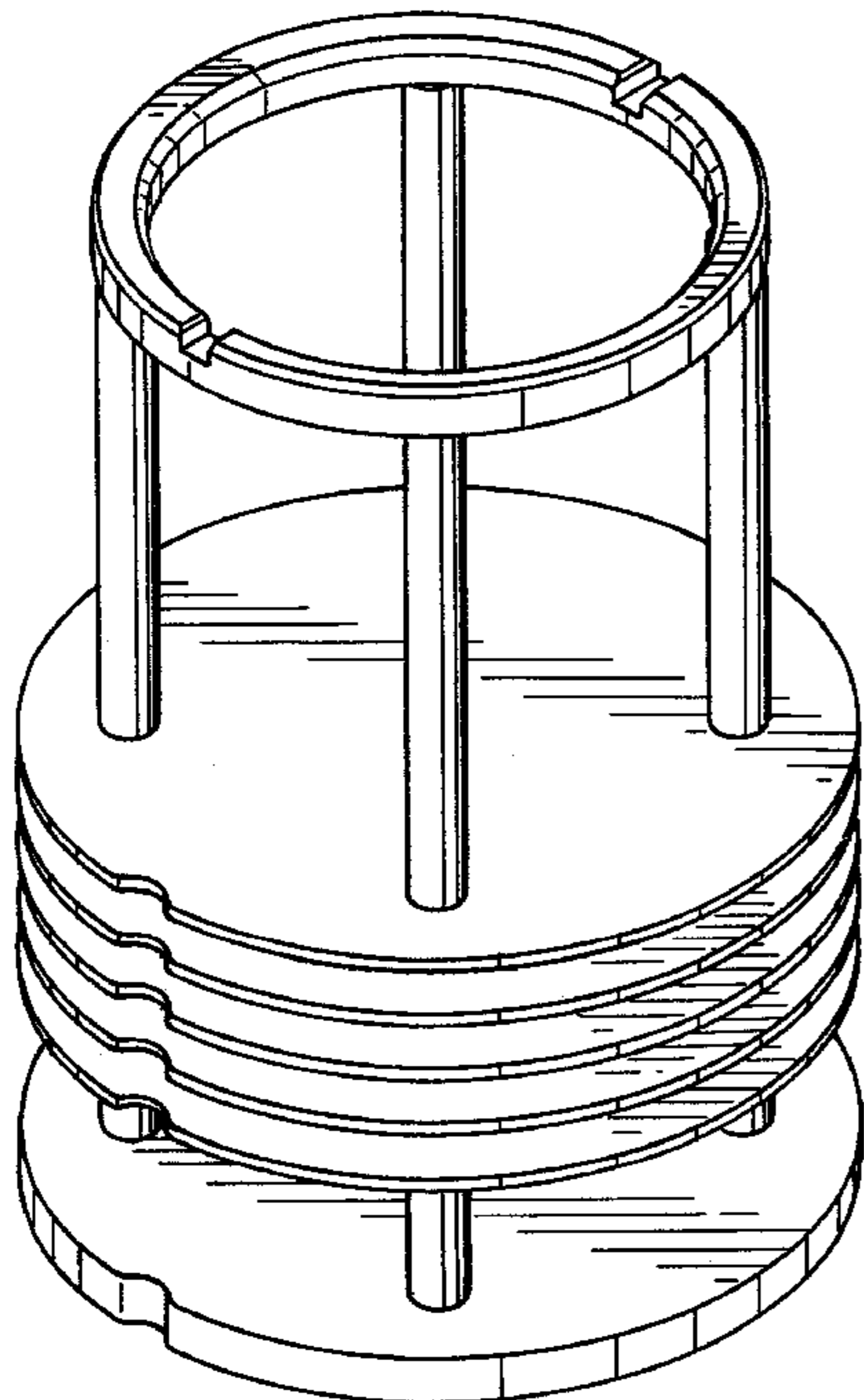


FIG. 1

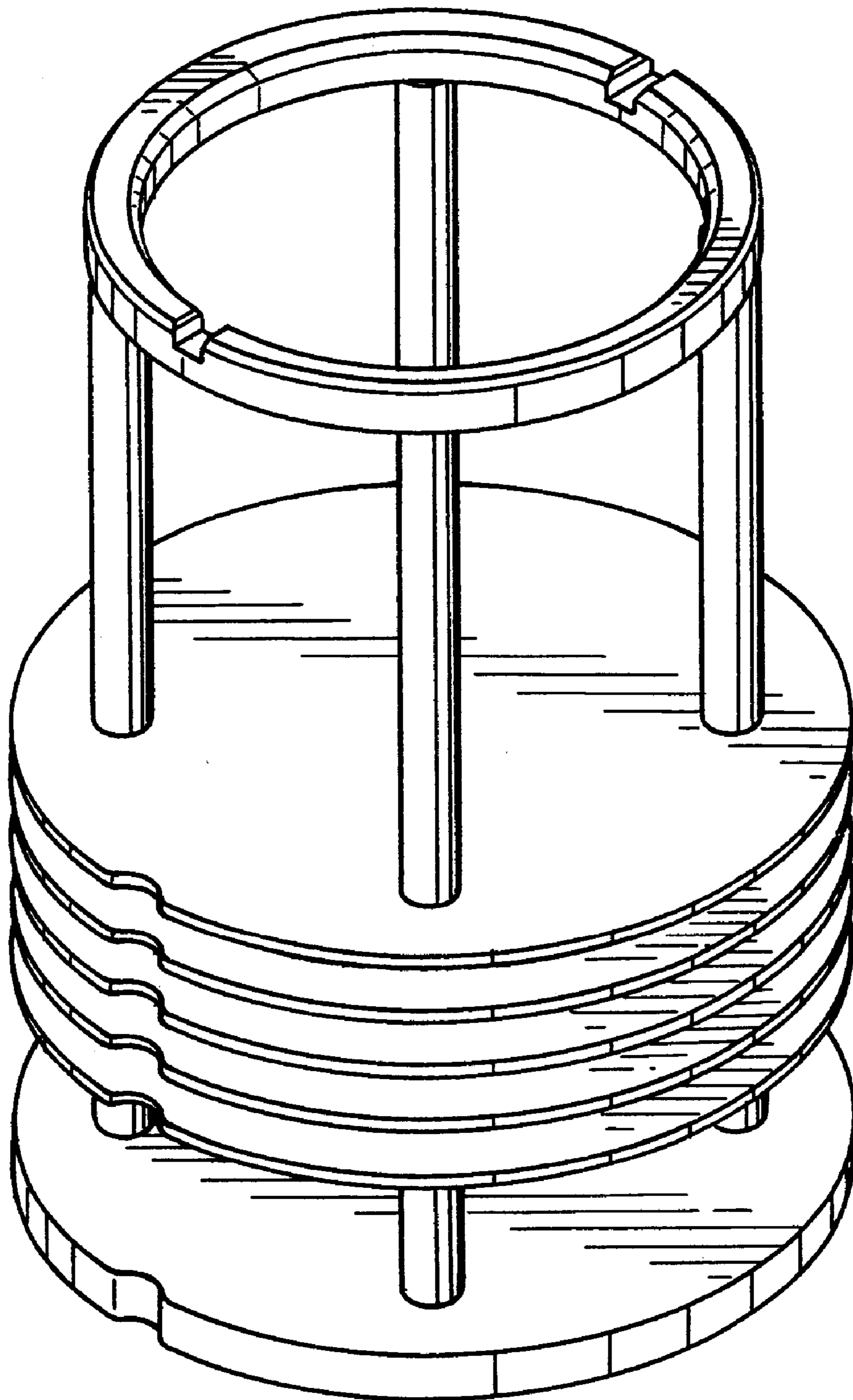


FIG. 3

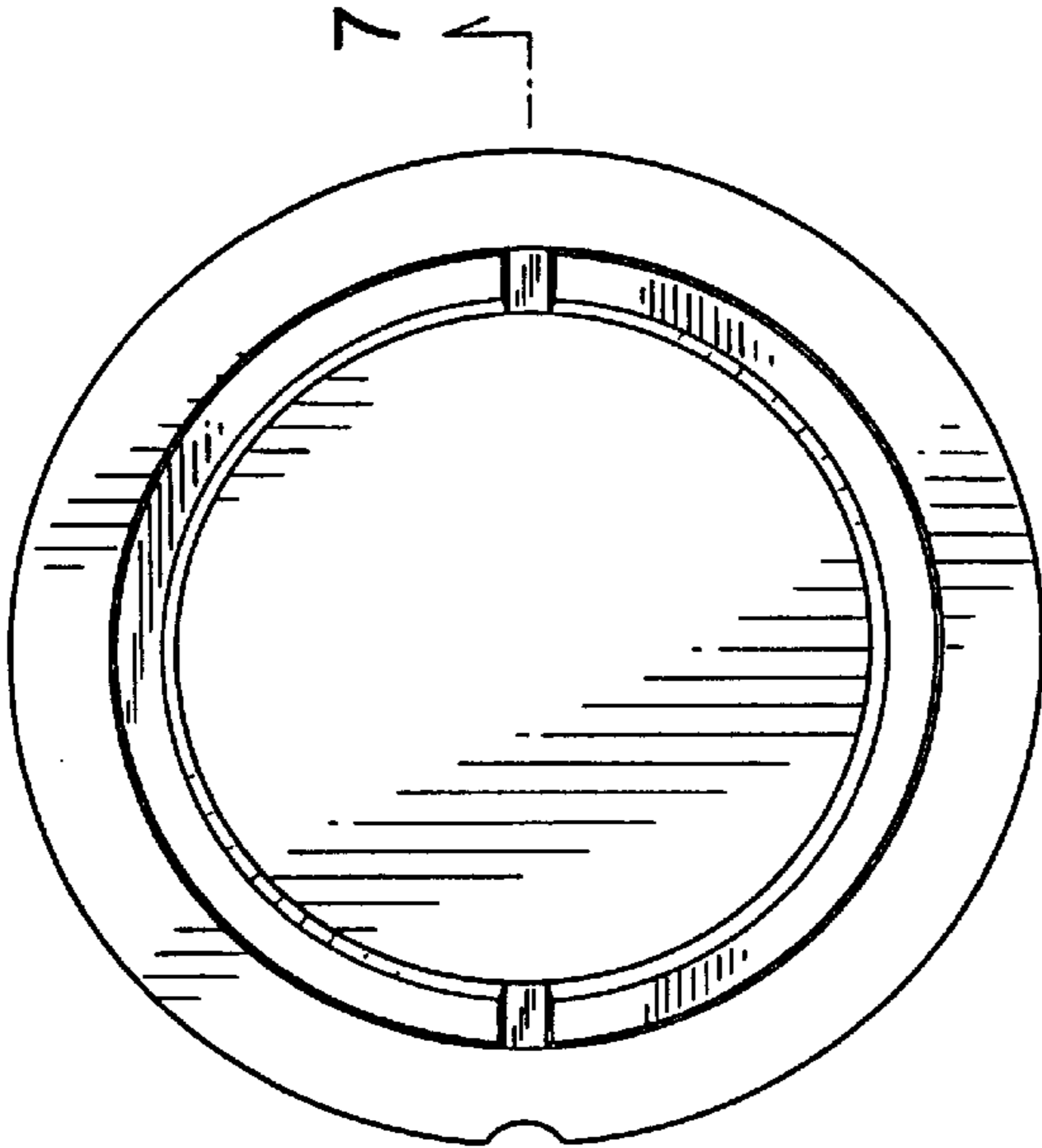


FIG. 4

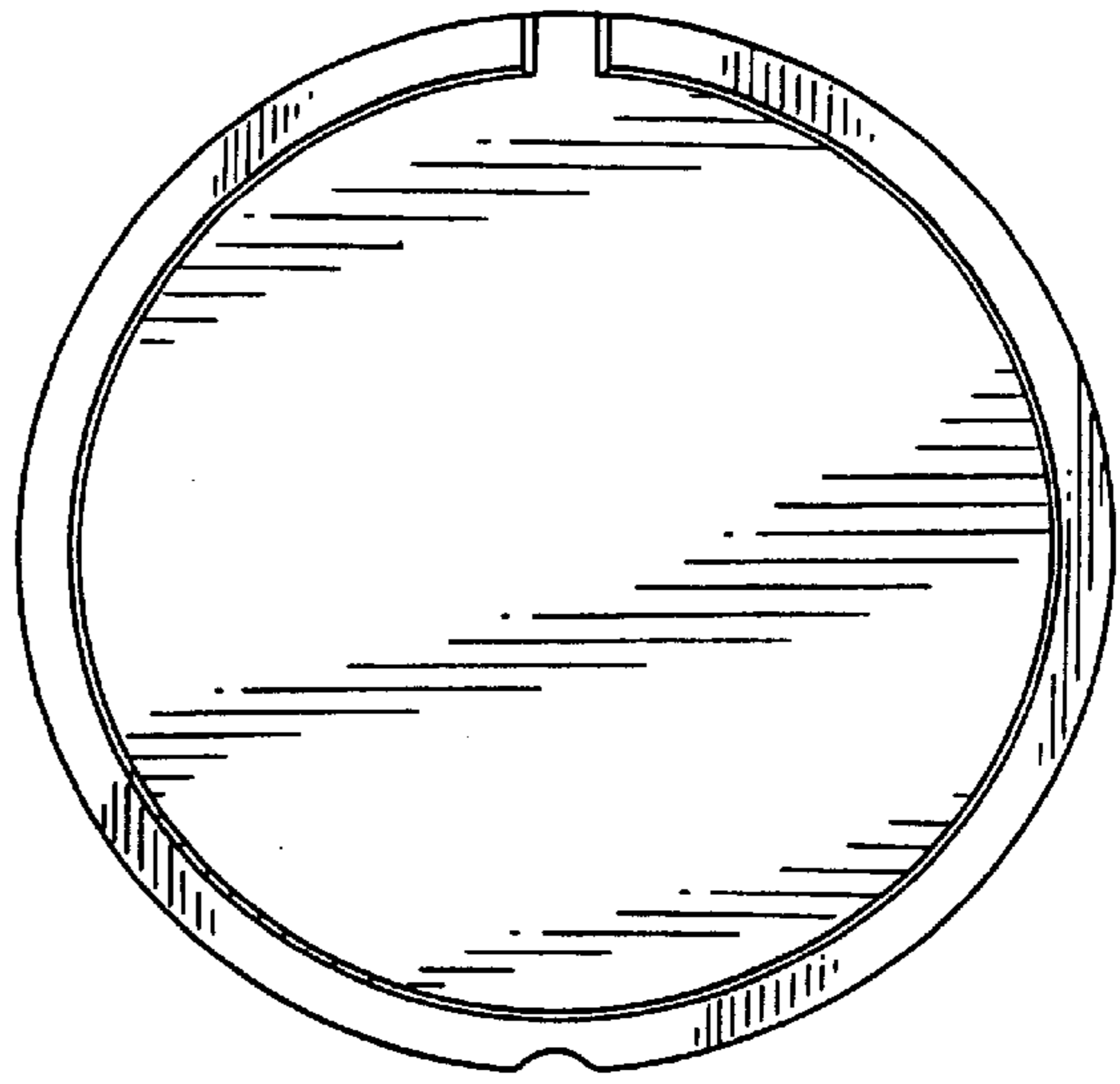


FIG. 2

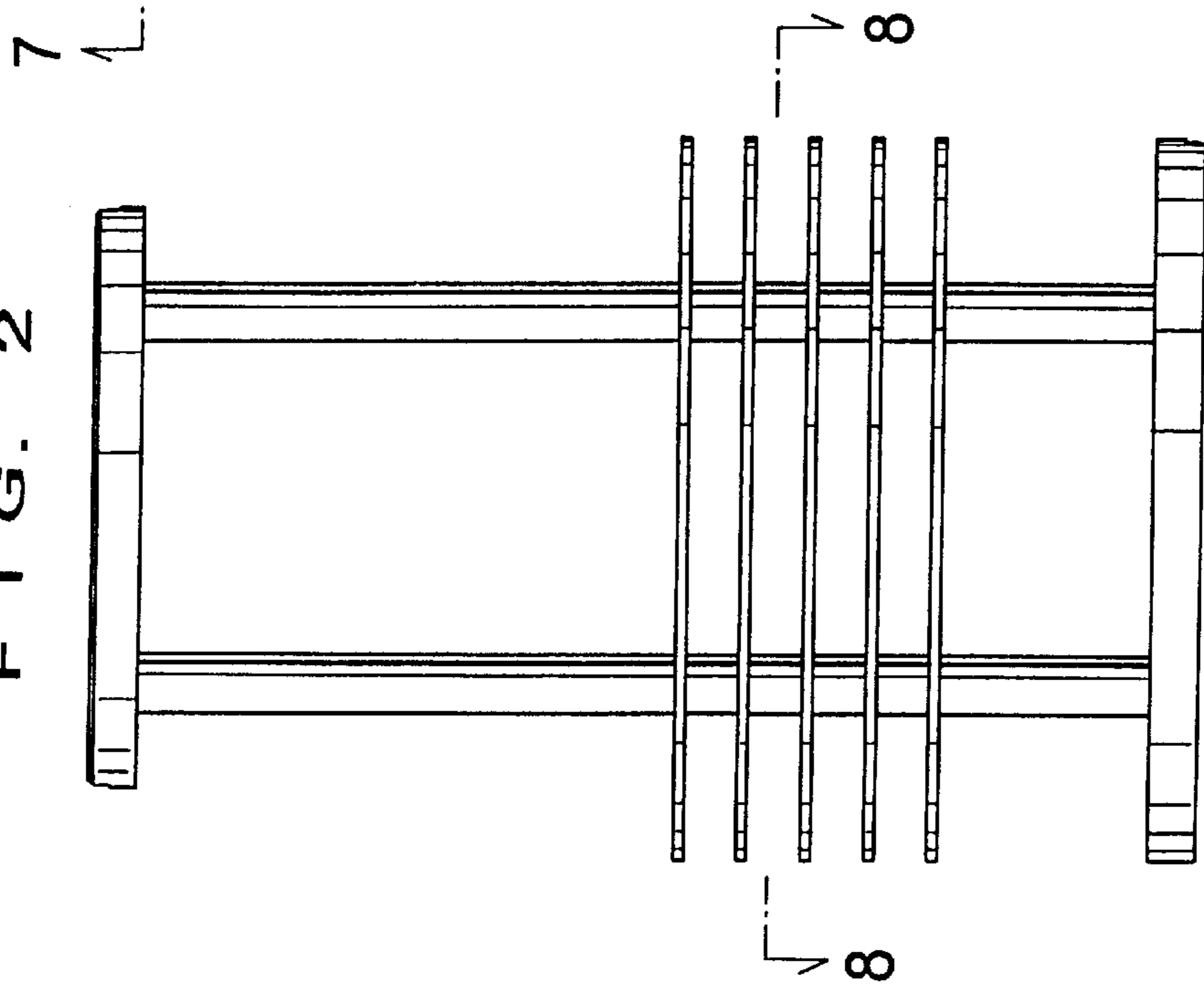


FIG. 6

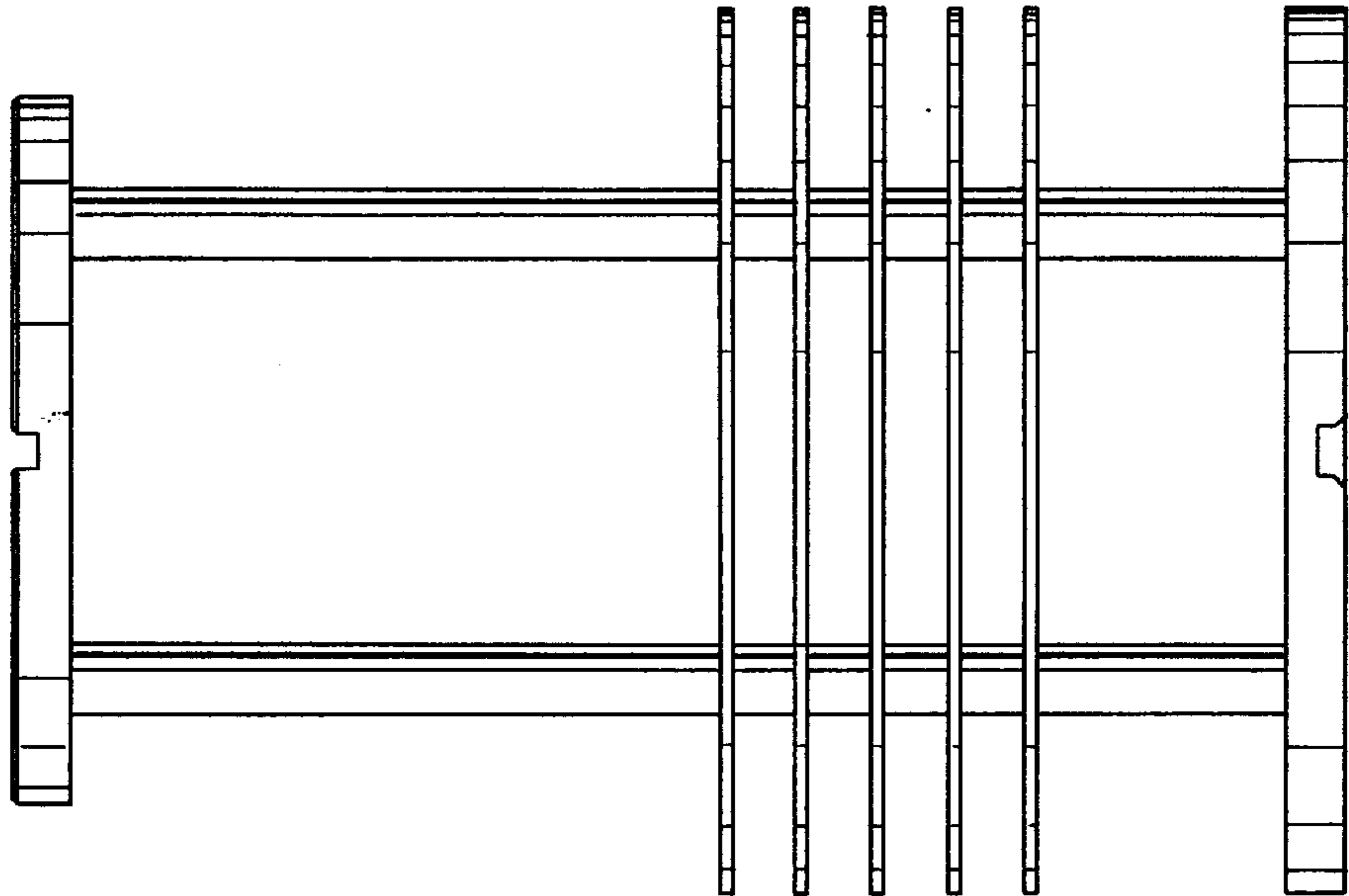


FIG. 5

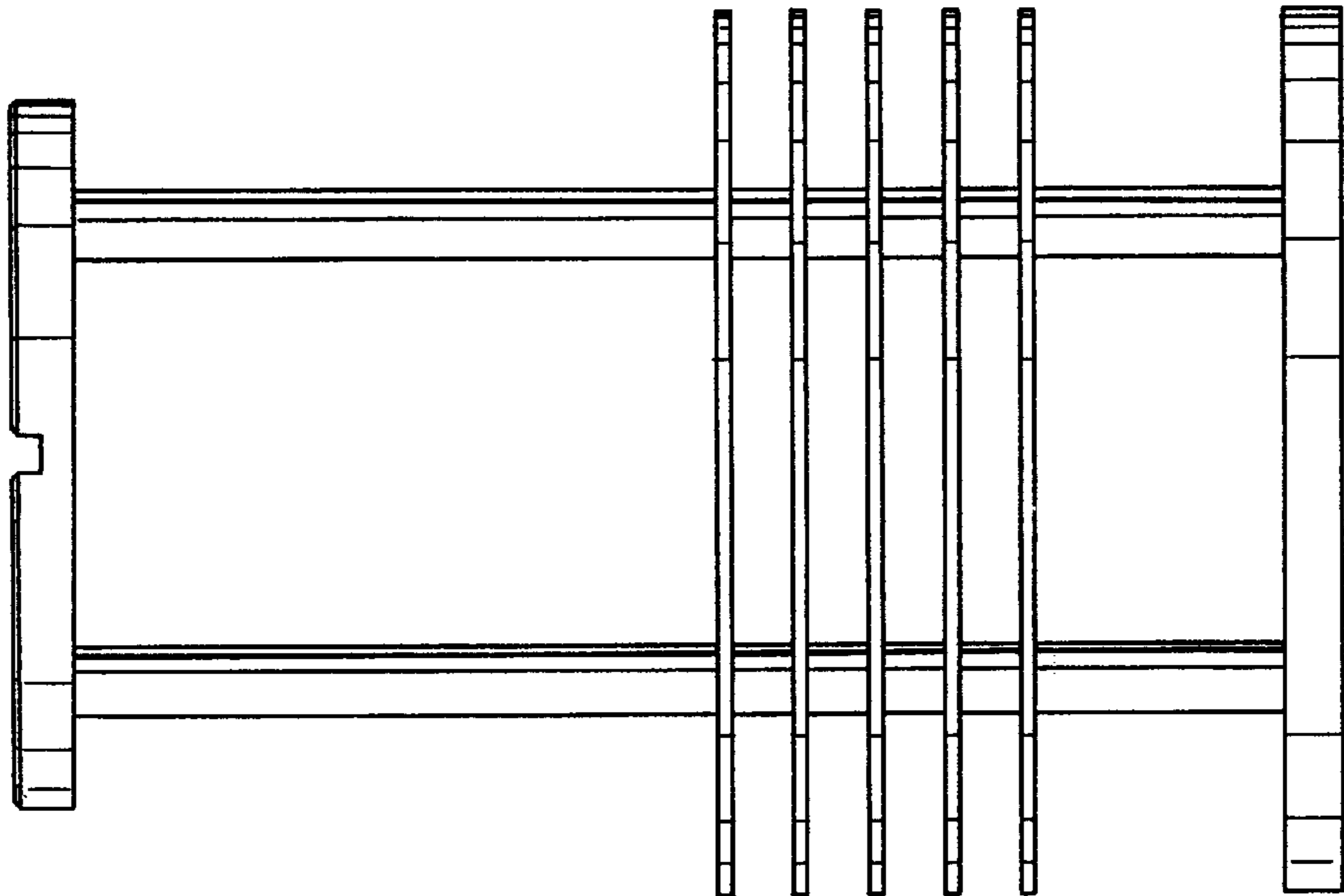


FIG. 7

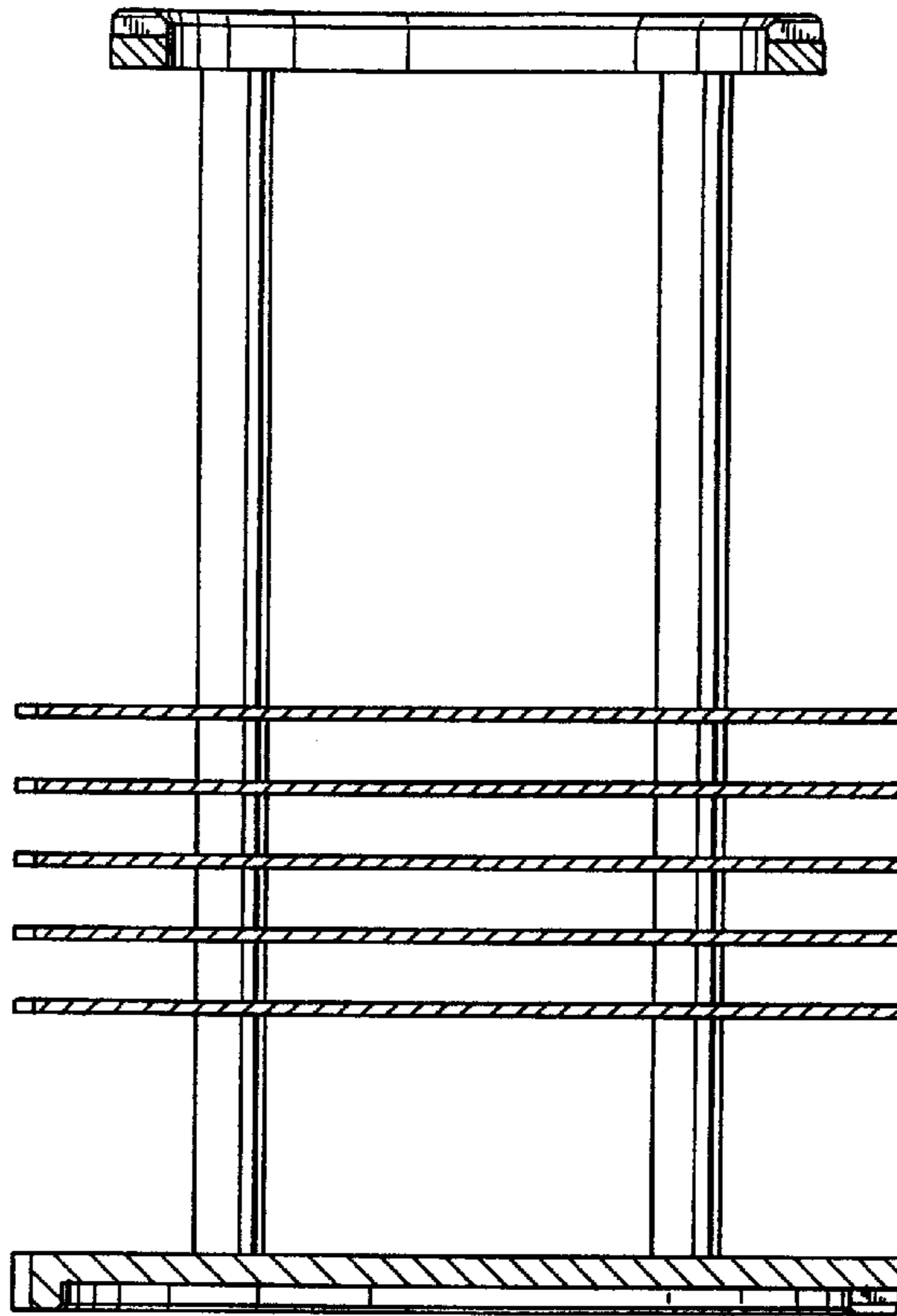


FIG. 8

