



US00D428857S

# United States Patent [19]

Wagner et al.

[11] Patent Number: **Des. 428,857**

[45] Date of Patent: **\*\* Aug. 1, 2000**

[54] **COOLING DEVICE**

[75] Inventors: **Guy R. Wagner**, Loveland; **Steven E. Hanzlik**, Fort Collins, both of Colo.

[73] Assignee: **Agilent Technologies**, Palo Alto, Calif.

[\*\*] Term: **14 Years**

[21] Appl. No.: **29/110,045**

[22] Filed: **Sep. 3, 1999**

[51] **LOC (7) Cl.** ..... **13-03**

[52] **U.S. Cl.** ..... **D13/179**

[58] **Field of Search** ..... D13/179; 361/688,  
361/690, 692, 693, 694, 696, 697, 703,  
709; 165/80.3

### [56] **References Cited**

#### U.S. PATENT DOCUMENTS

D. 203,543	1/1966	Coe	.....	D13/179
D. 357,900	5/1995	Katsui et al.	.....	D13/179
D. 398,295	9/1998	Cahng	.....	D13/179 X
D. 401,686	11/1998	Horng	.....	D13/179 X
5,785,116	7/1998	Wagner	.....	165/80.3
5,794,685	8/1998	Dean	.....	165/121

#### OTHER PUBLICATIONS

Pending U.S. Utility Patent Application of Wagner et al. for "Cooling Apparatus For Electronic Devices" (Attorney Docket No. 10982332-1).

U.S. Patent application Ser. No. 09/253,877 filed Feb. 22, 1999 for "Cooling Apparatus For Electronic Devices" of Steven E. Hanzlik et al.

*Primary Examiner*—Brian N. Vinson

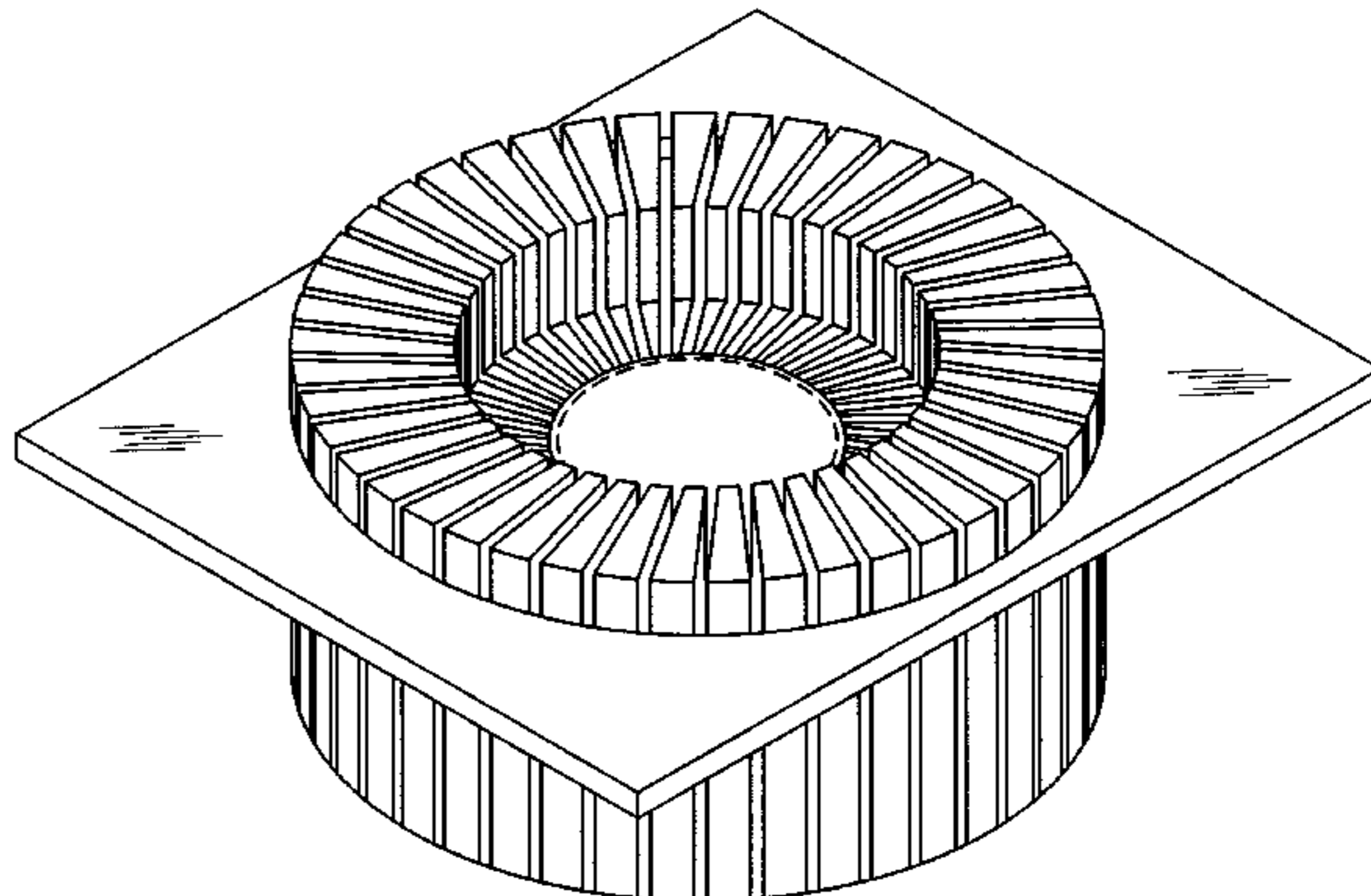
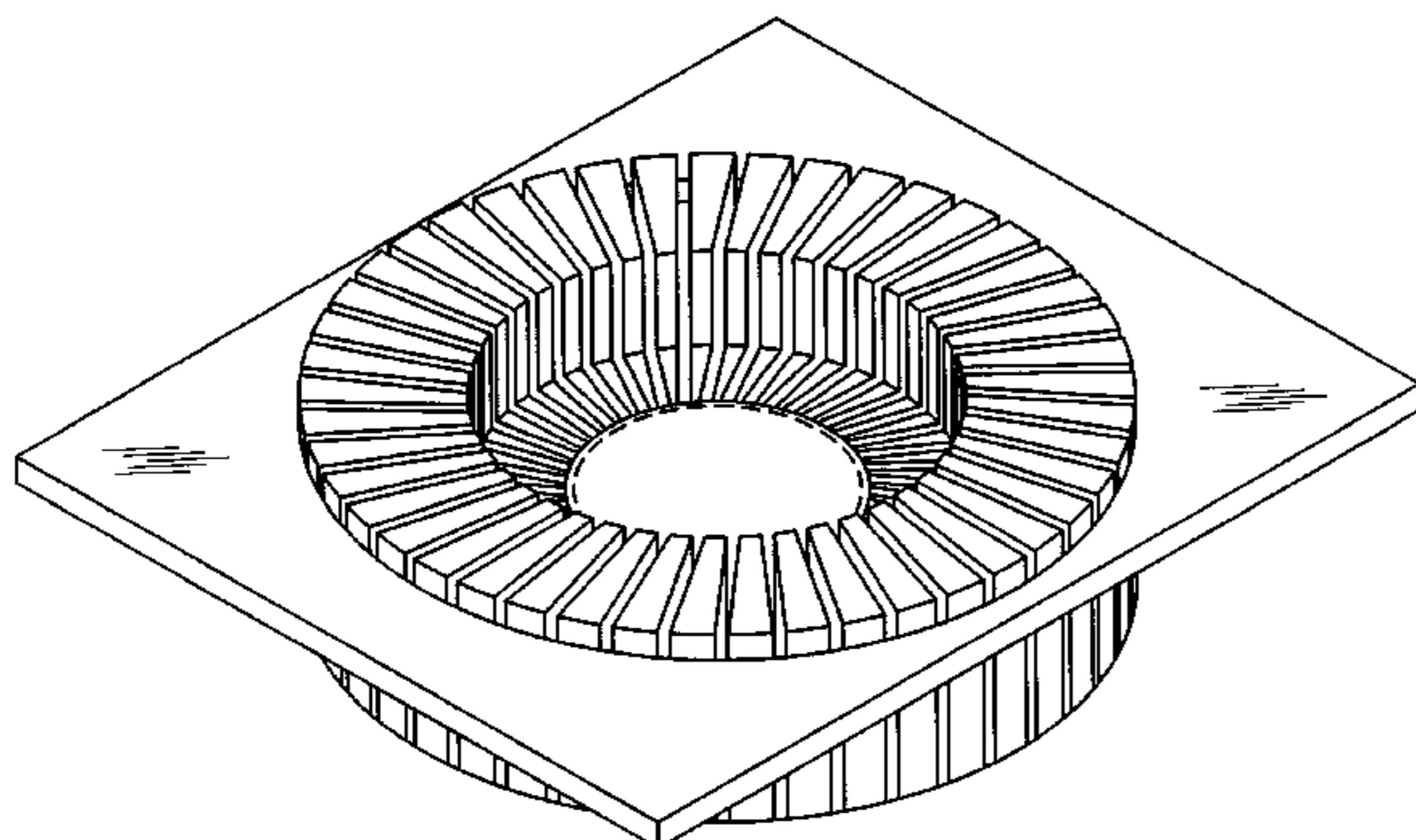
[57] **CLAIM**

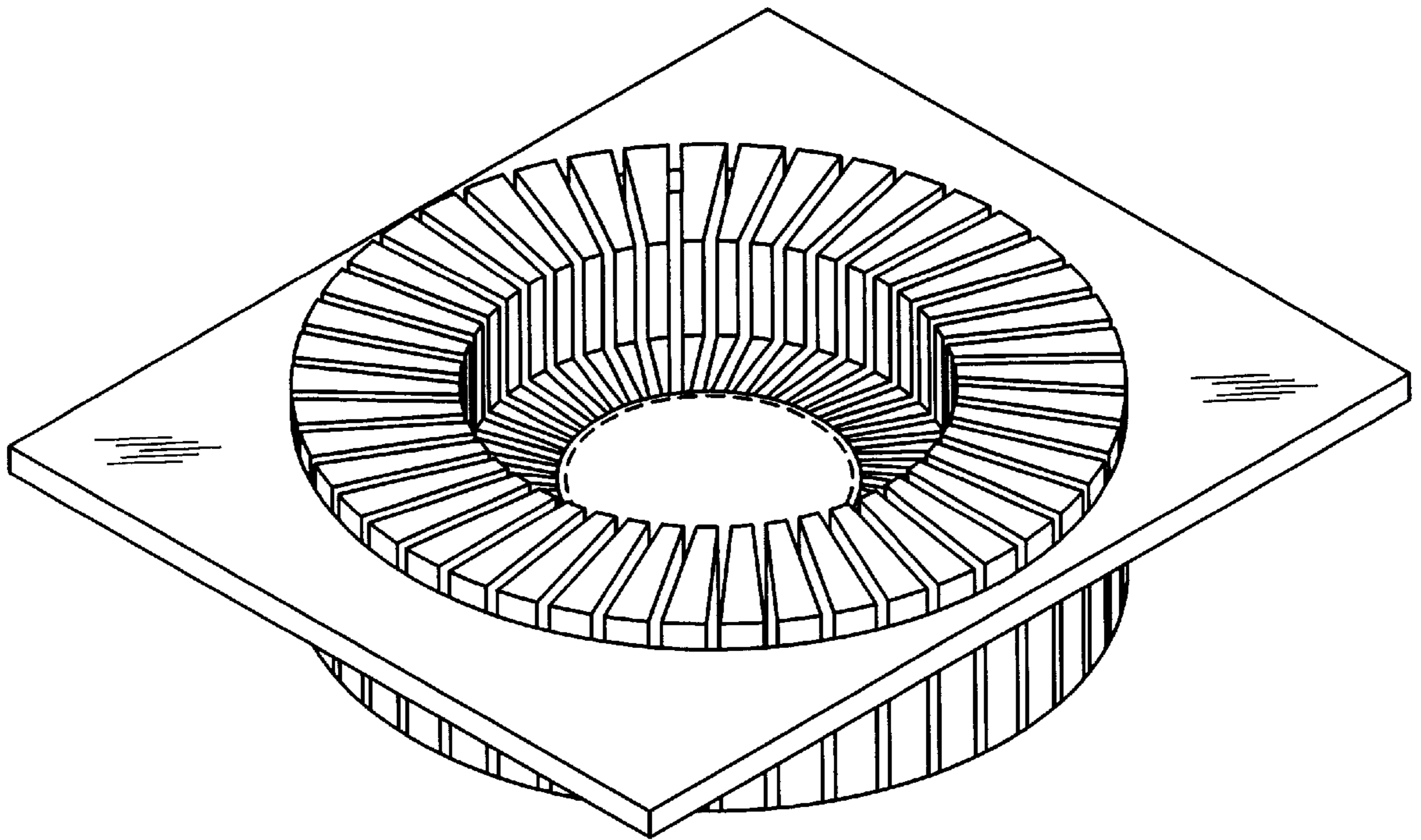
The ornamental design for a cooling device, as shown and described.

### **DESCRIPTION**

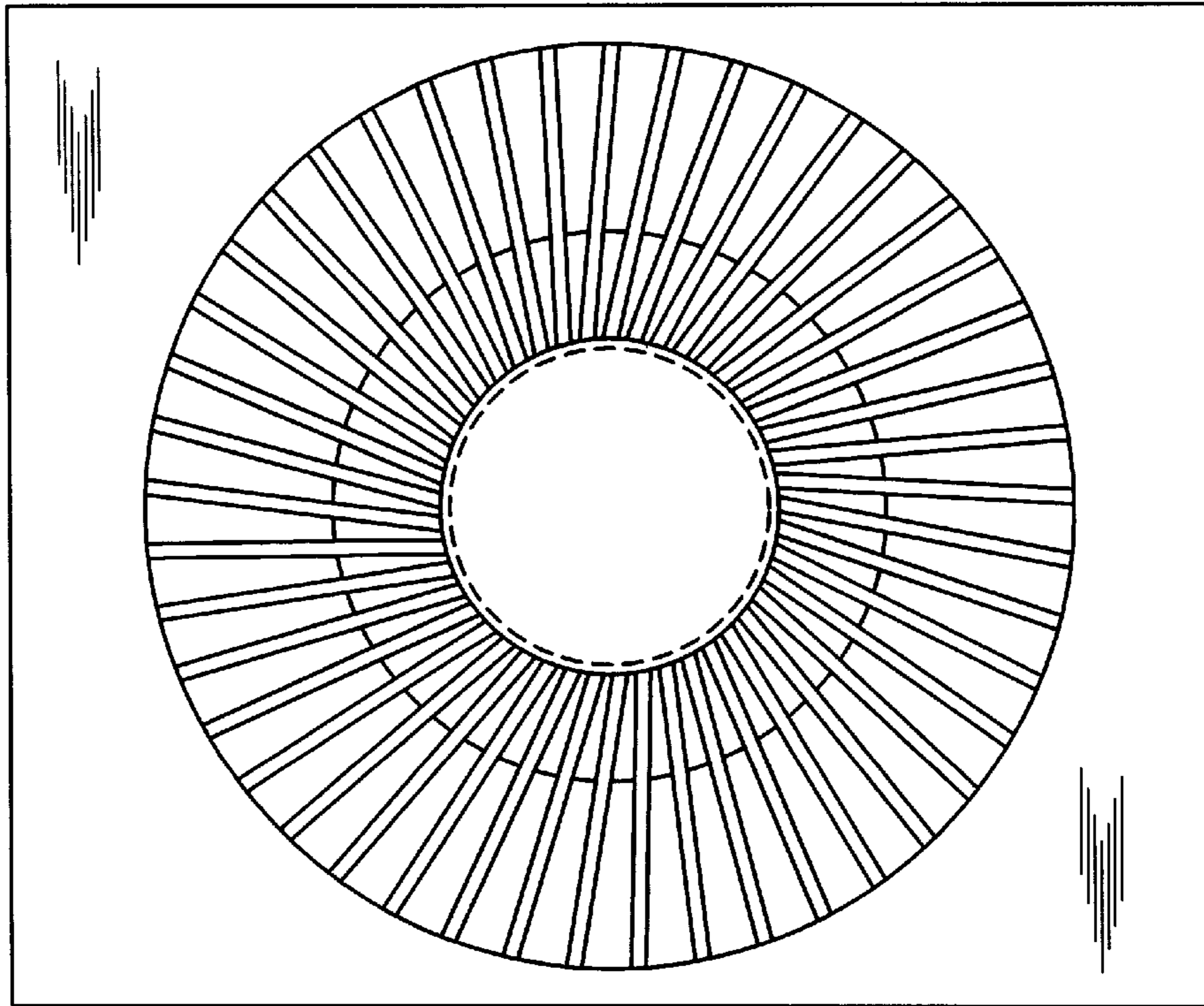
FIG. 1 is a top front right perspective view of a first embodiment of a cooling device showing our new design; FIG. 2 is a top plan view thereof; FIG. 3 is a bottom view thereof; FIG. 4 is a left elevation view thereof; FIG. 5 is a right elevation view thereof; FIG. 6 is a front elevation view thereof; FIG. 7 is a rear elevation view thereof; FIG. 8 is a top front right perspective view of a second embodiment of a cooling device showing our new design; FIG. 9 is a top plan view of the second embodiment; FIG. 10 is a bottom view of the second embodiment; FIG. 11 is a left elevation view of the second embodiment; FIG. 12 is a right elevation view of the second embodiment; FIG. 13 is a front elevation view of the second embodiment; FIG. 14 is a rear elevation view of the second embodiment; FIG. 15 is a top front right perspective view of a third embodiment of a cooling device showing our new design; FIG. 16 is a top plan view of the third embodiment; FIG. 17 is a bottom view of the third embodiment; FIG. 18 is a left elevation view of the third embodiment; FIG. 19 is a right elevation view of the third embodiment; FIG. 20 is a front elevation view of the third embodiment; FIG. 21 is a rear elevation view of the third embodiment; FIG. 22 is a top front right perspective view of a fourth embodiment of a cooling device showing our new design; FIG. 23 is a top plan view of the fourth embodiment; FIG. 24 is a bottom view of the fourth embodiment; FIG. 25 is a left elevation view of the fourth embodiment; FIG. 26 is a right elevation view of the fourth embodiment; FIG. 27 is a front elevation view of the fourth embodiment; and, FIG. 28 is a rear elevation view of the fourth embodiment.

**1 Claim, 12 Drawing Sheets**

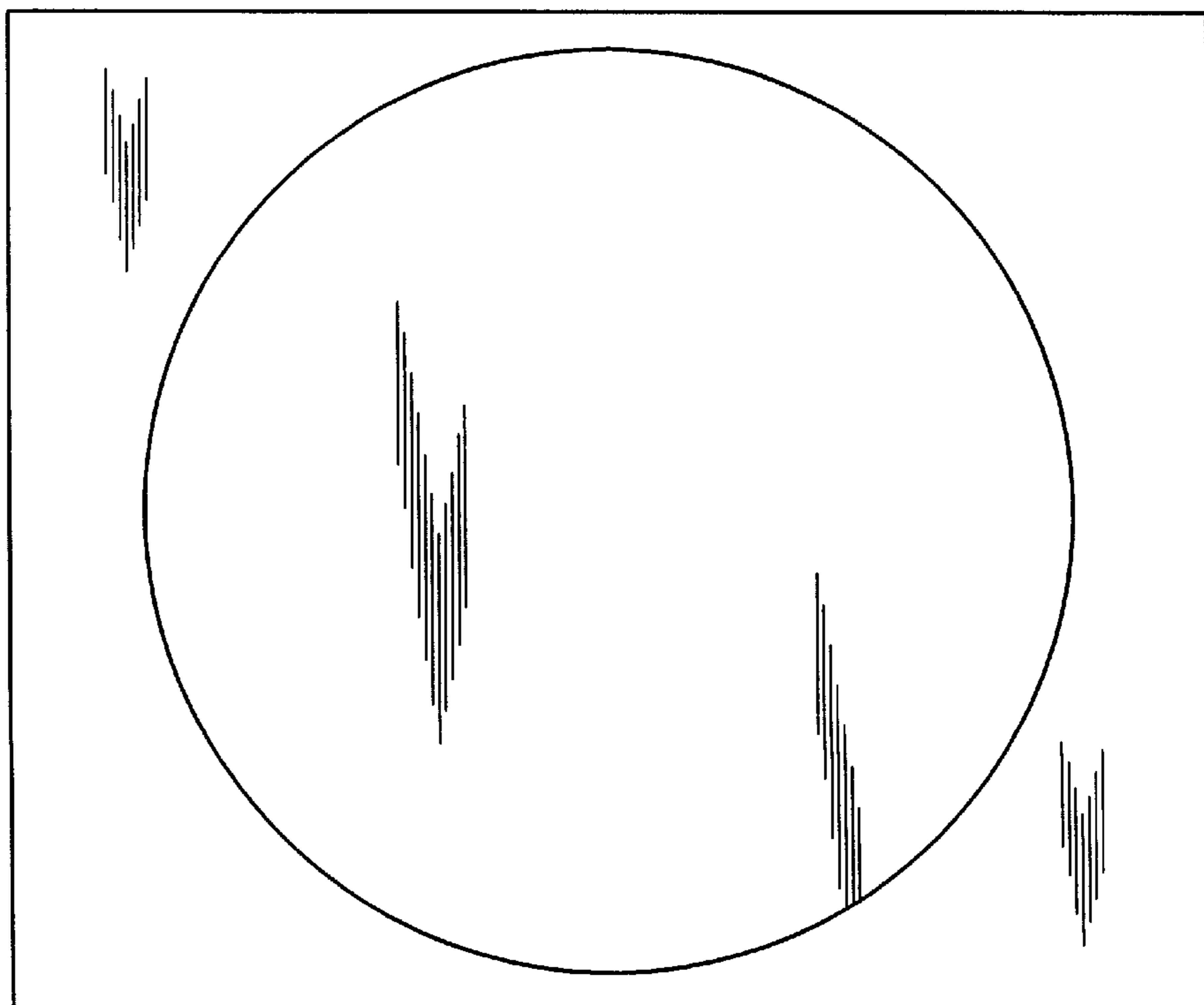




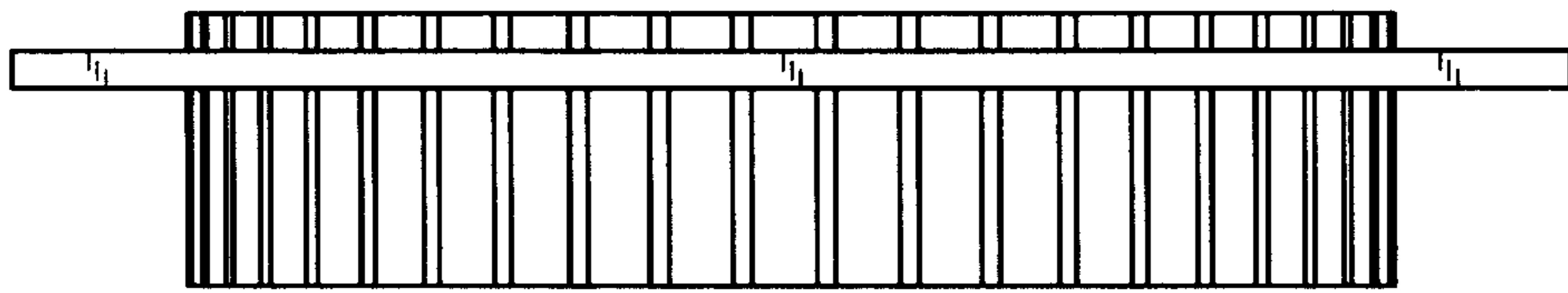
**FIG. 1**



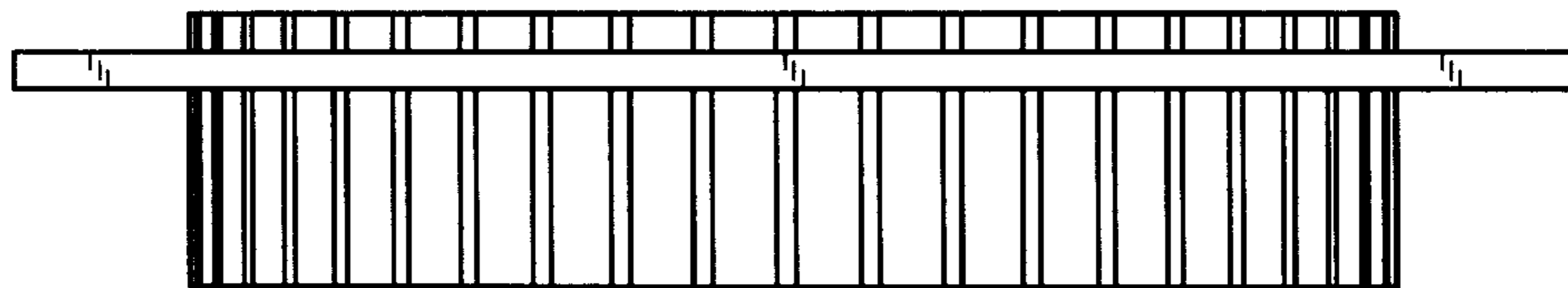
**FIG. 2**



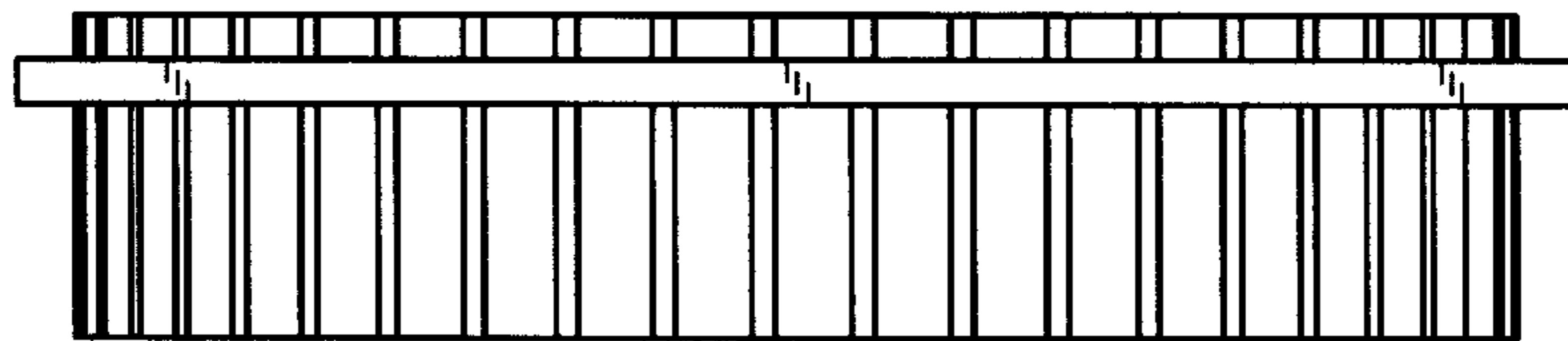
**FIG. 3**



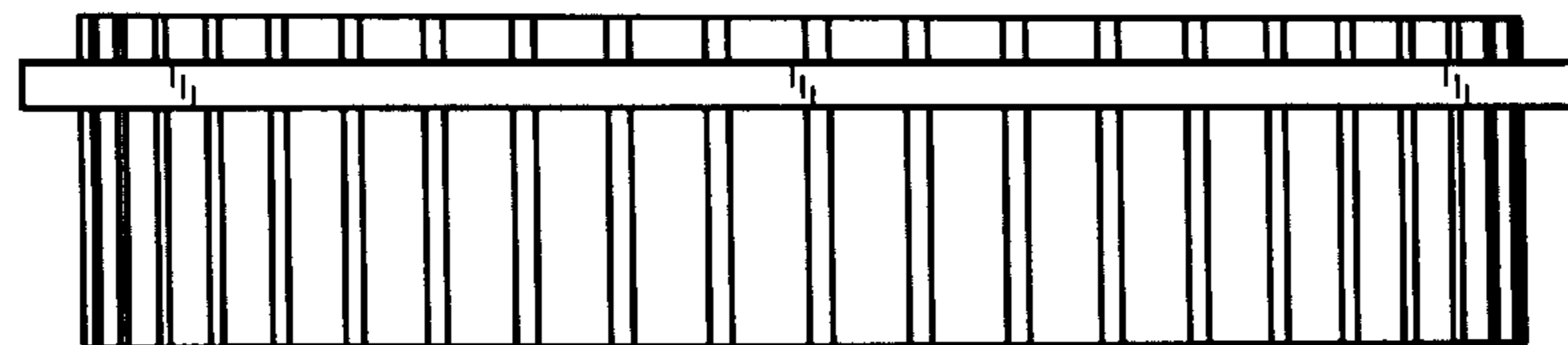
**FIG. 4**



**FIG. 5**

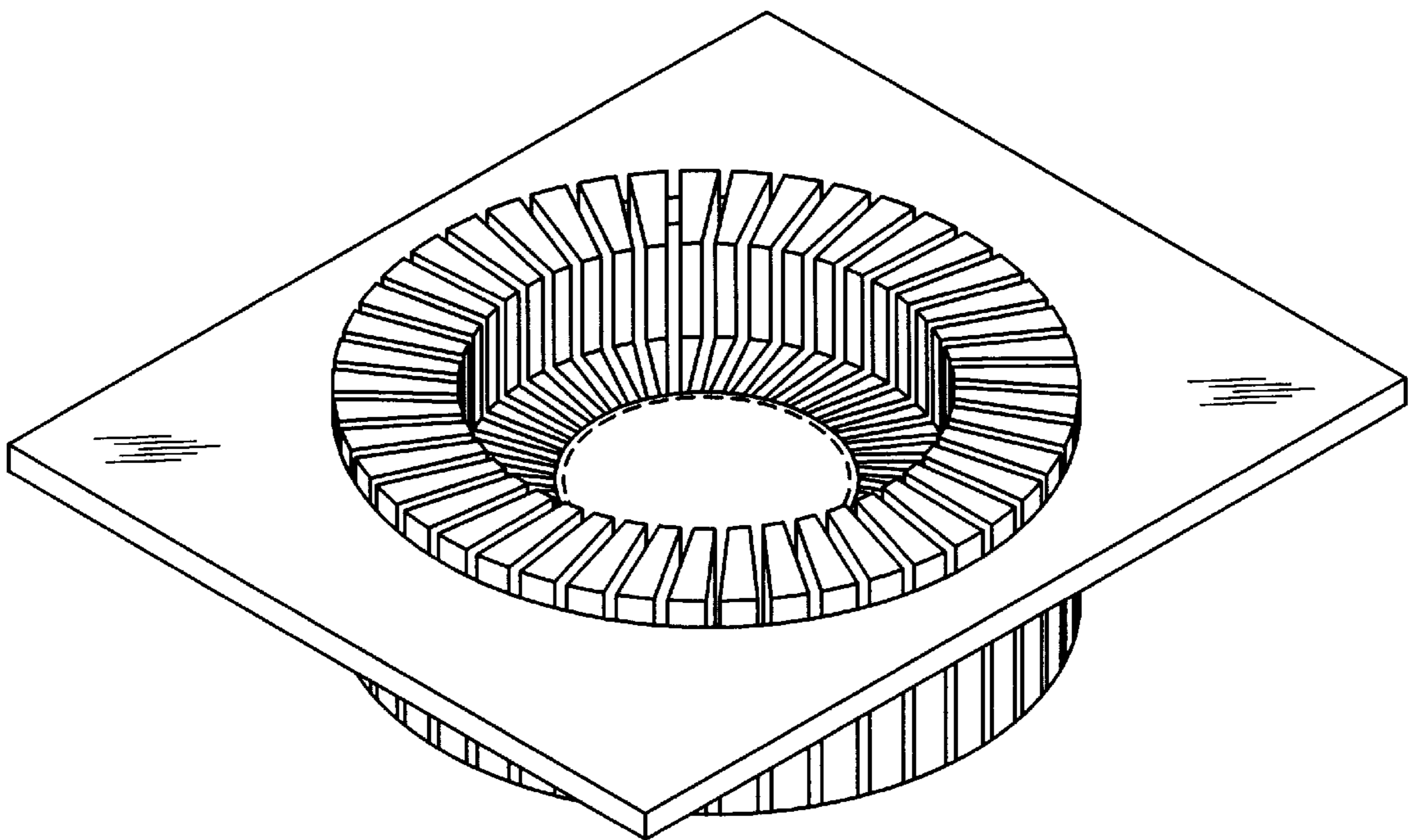


**FIG. 6**

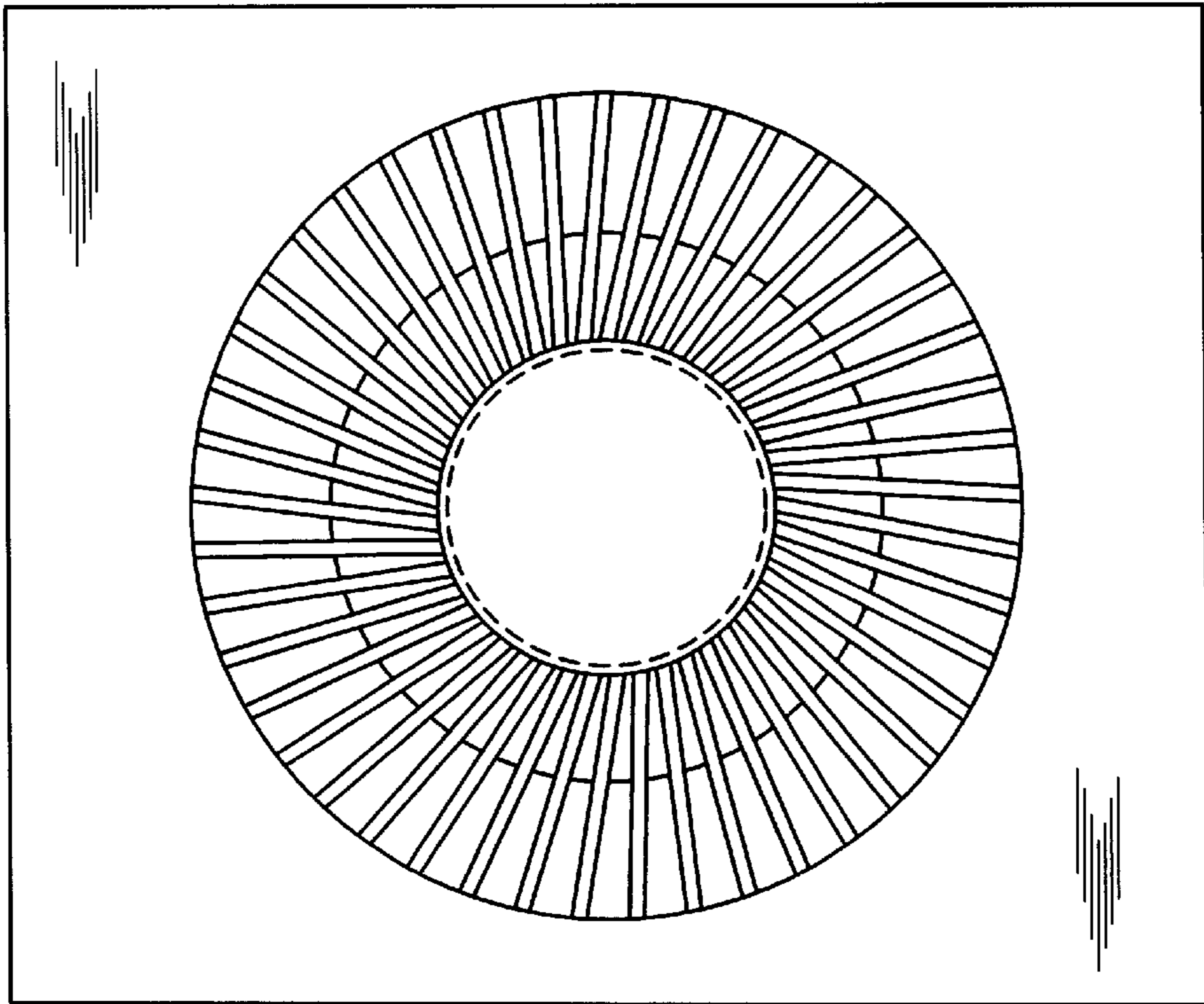


**FIG. 7**

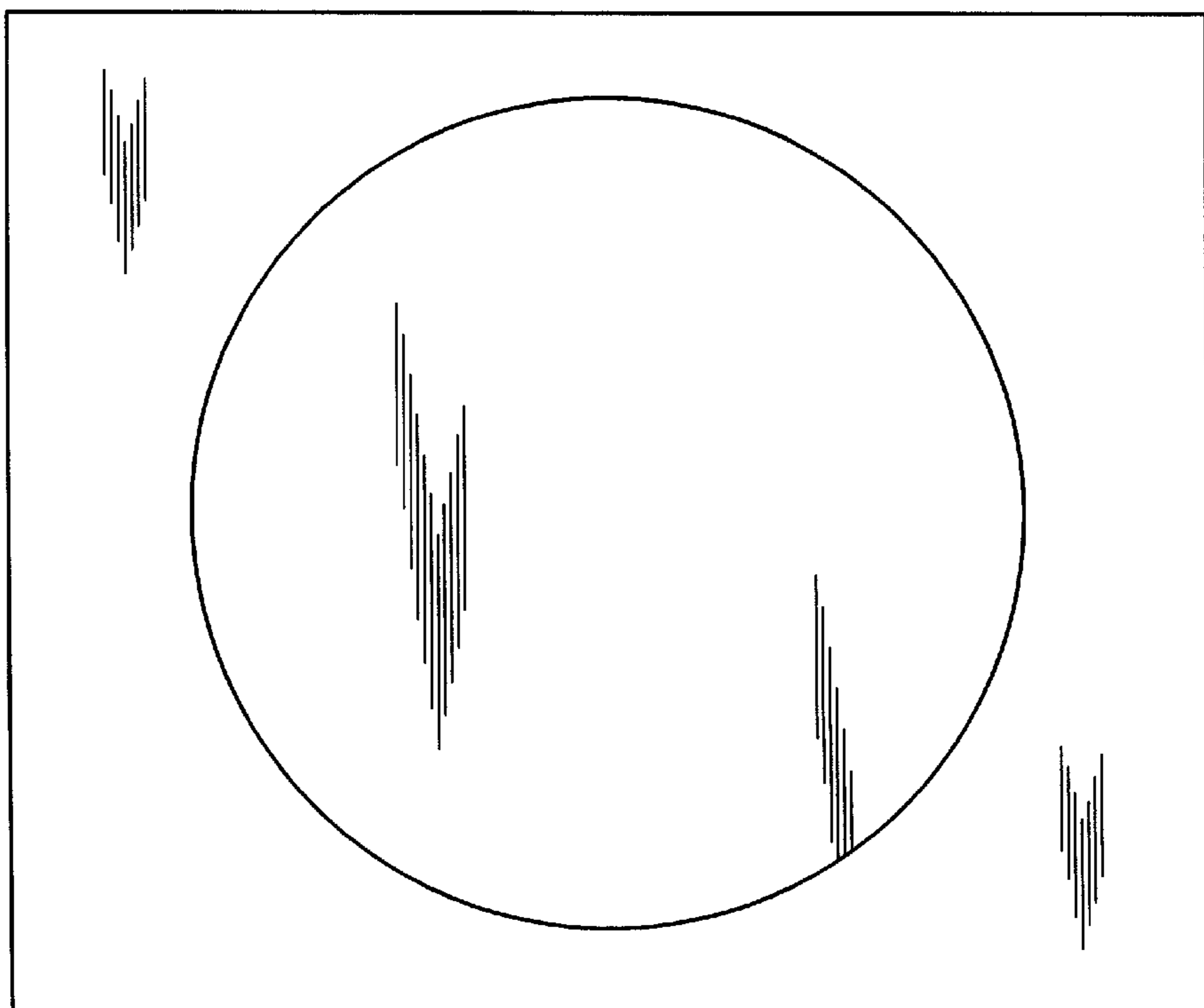




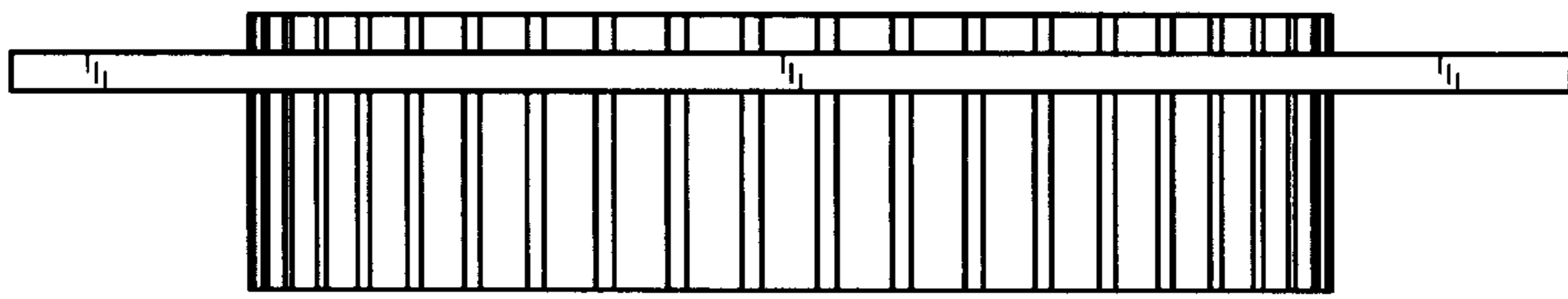
**FIG. 8**



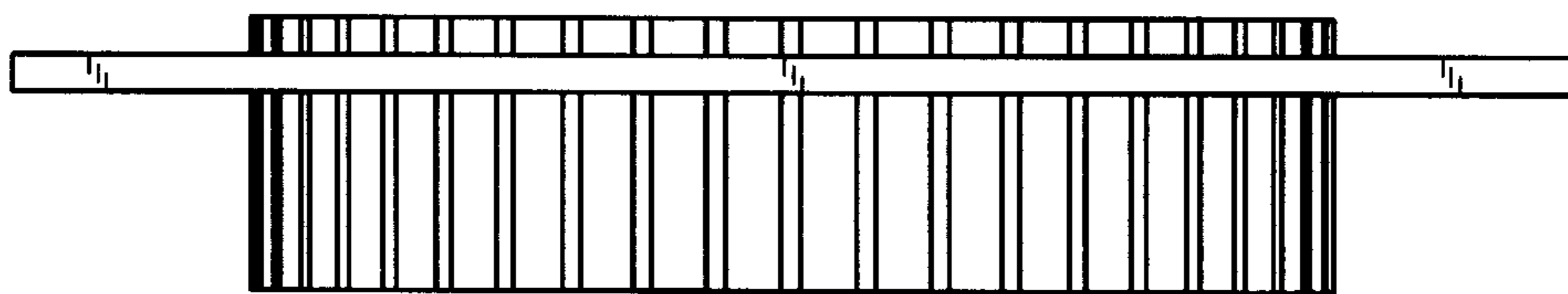
**FIG. 9**



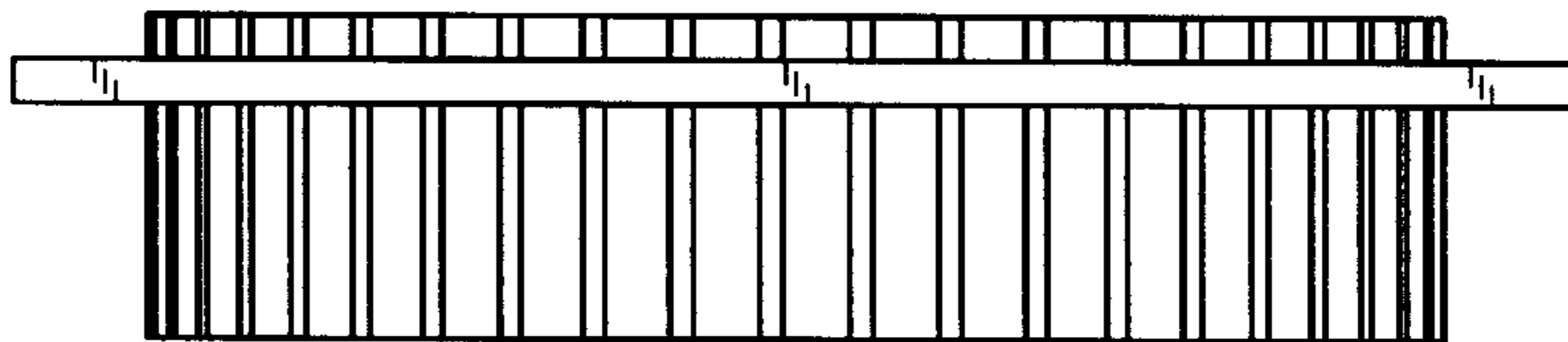
**FIG. 10**



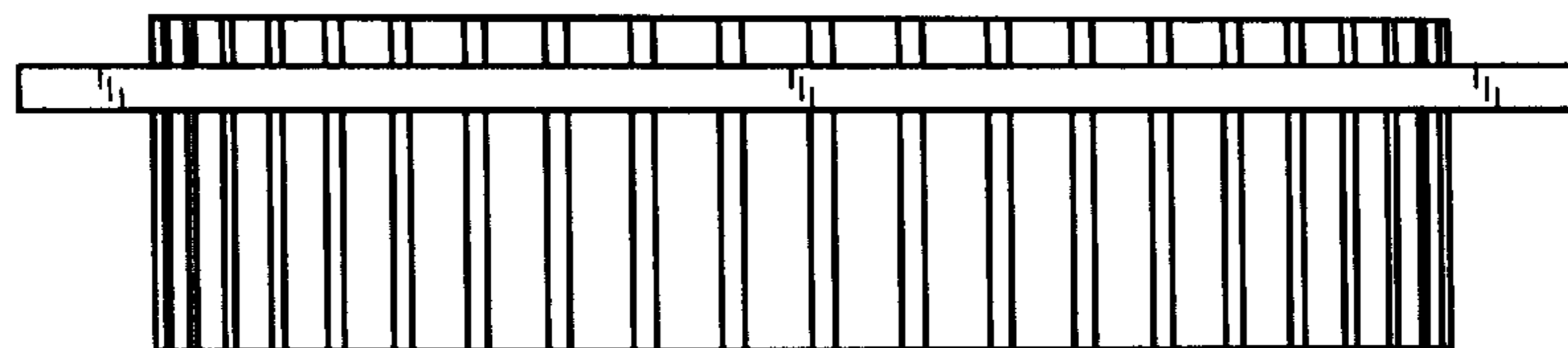
**FIG. 11**



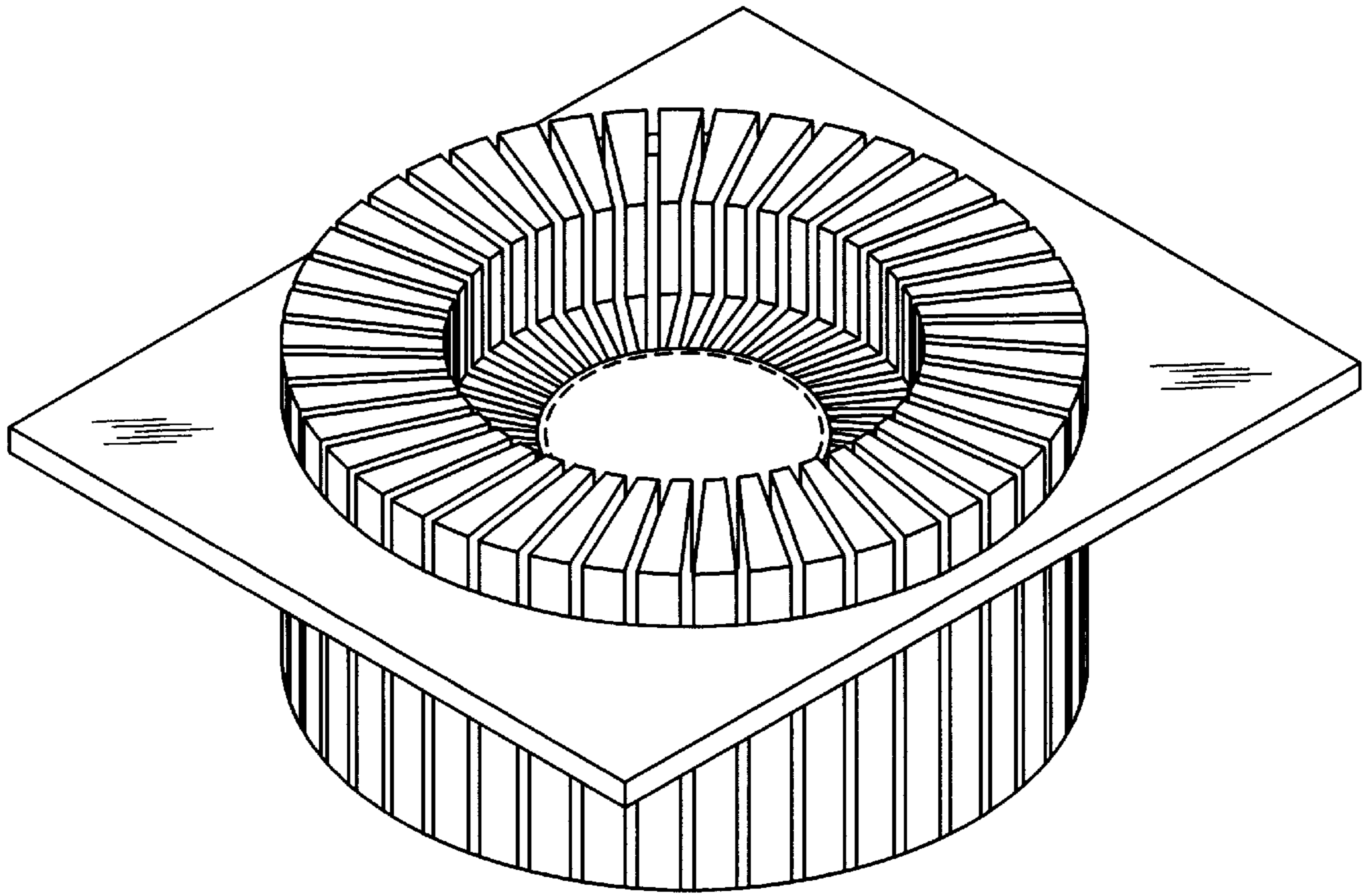
**FIG. 12**



**FIG. 13**

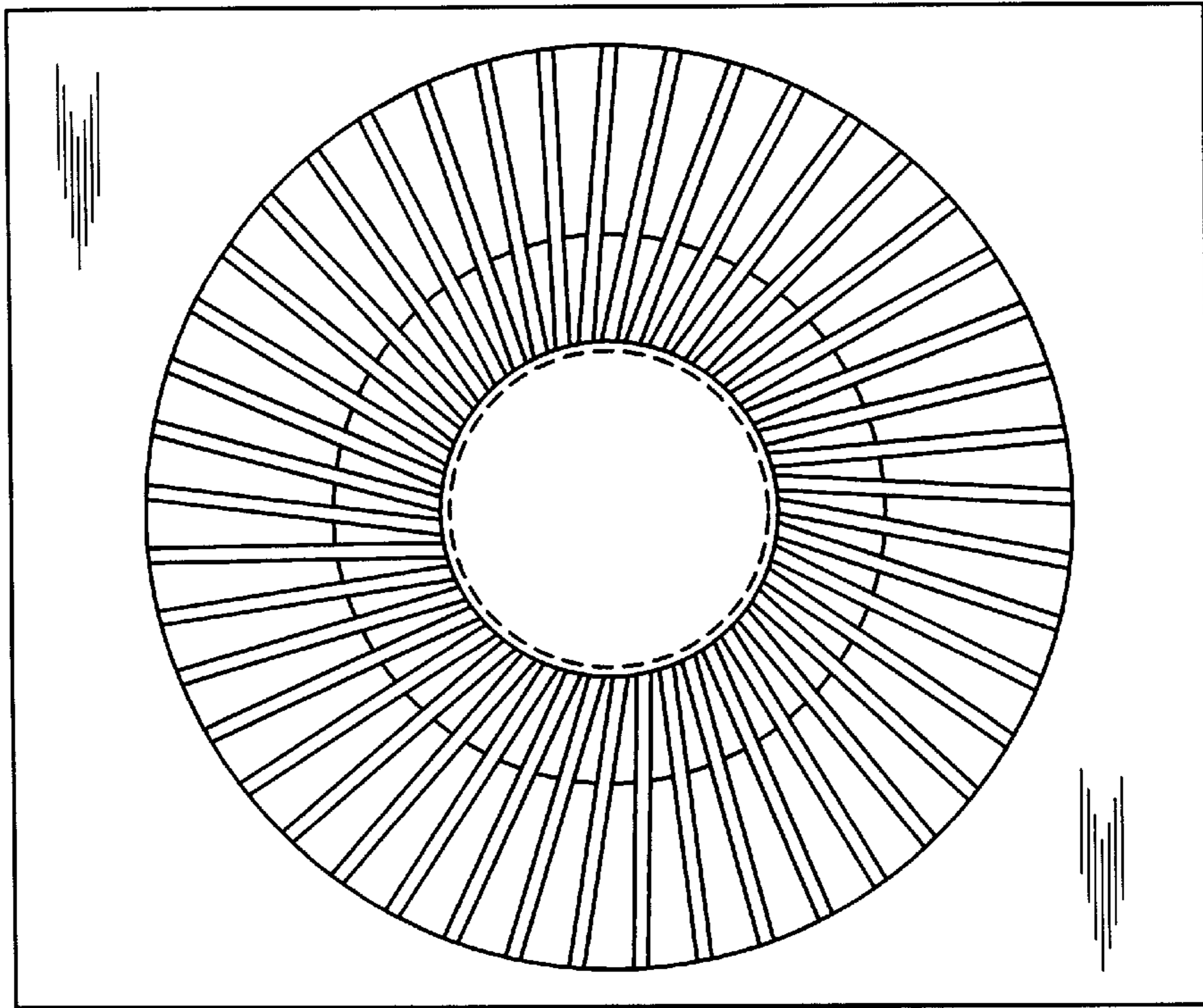


**FIG. 14**

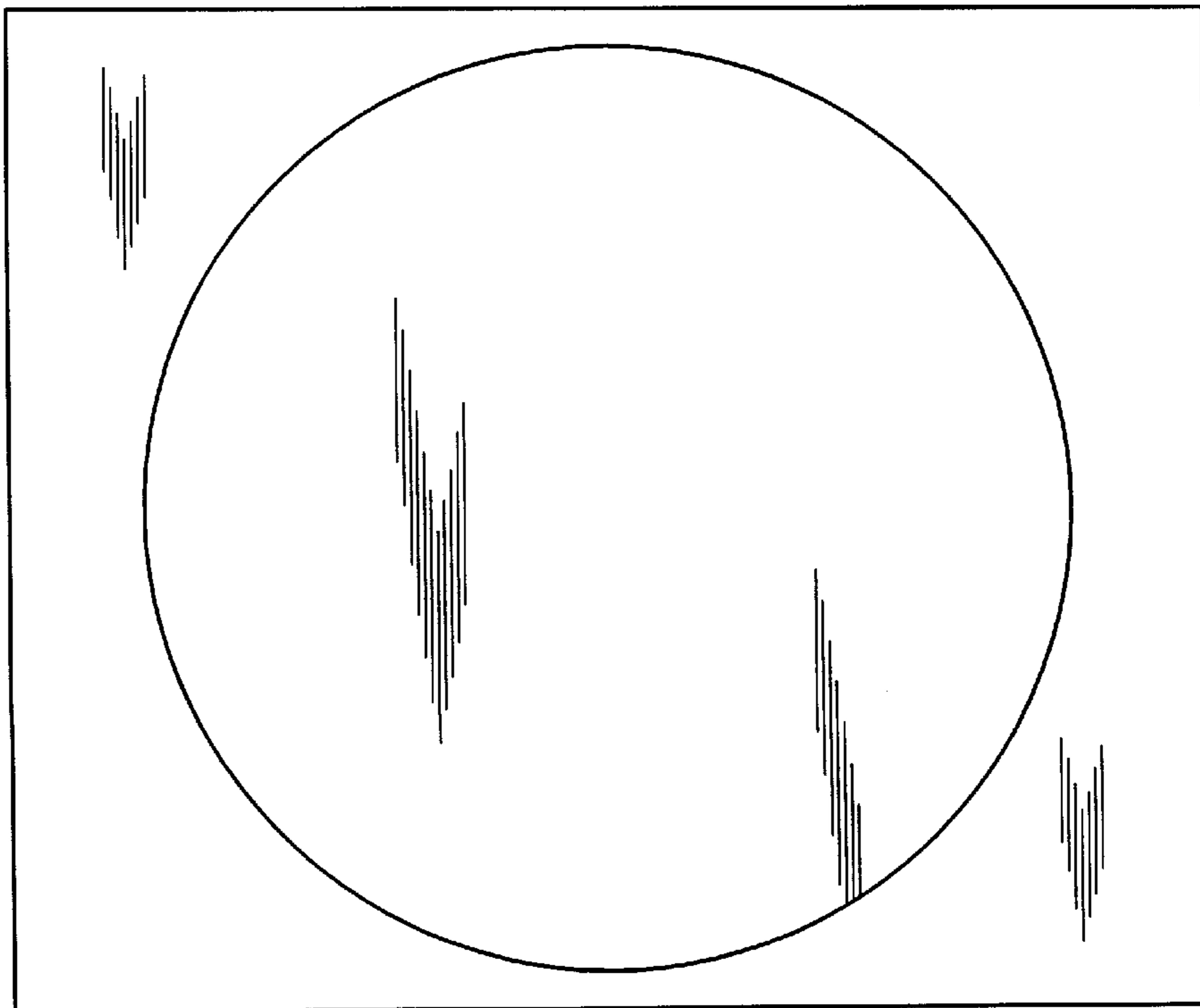


**FIG. 15**

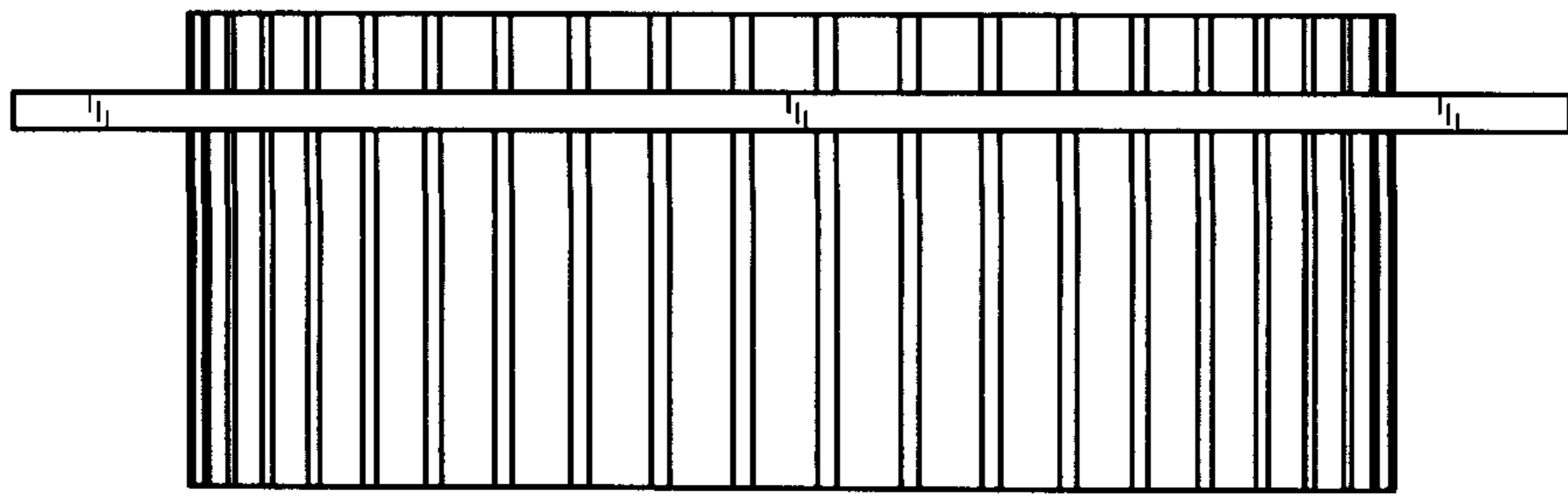




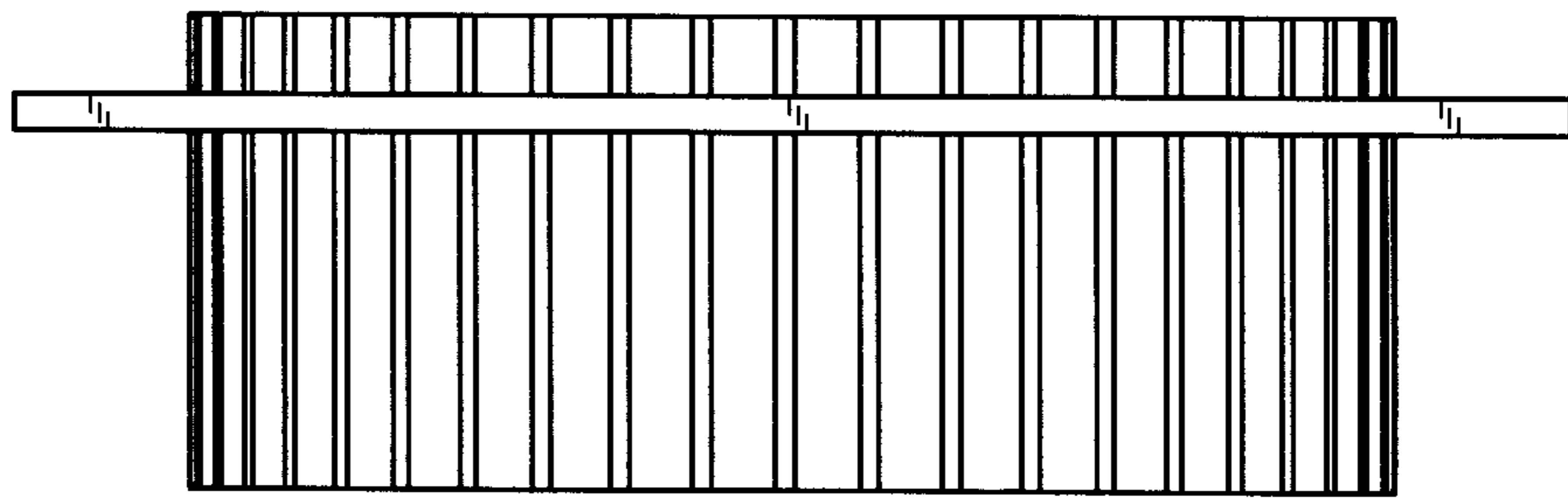
**FIG. 16**



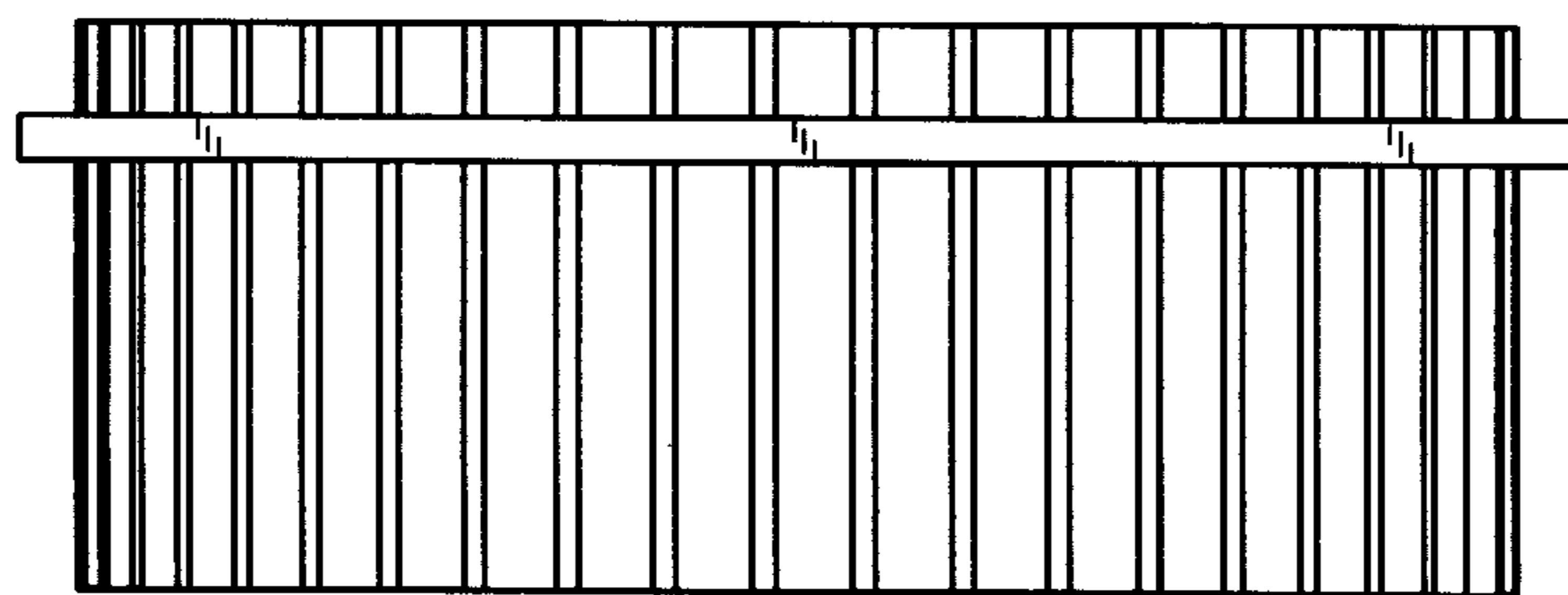
**FIG. 17**



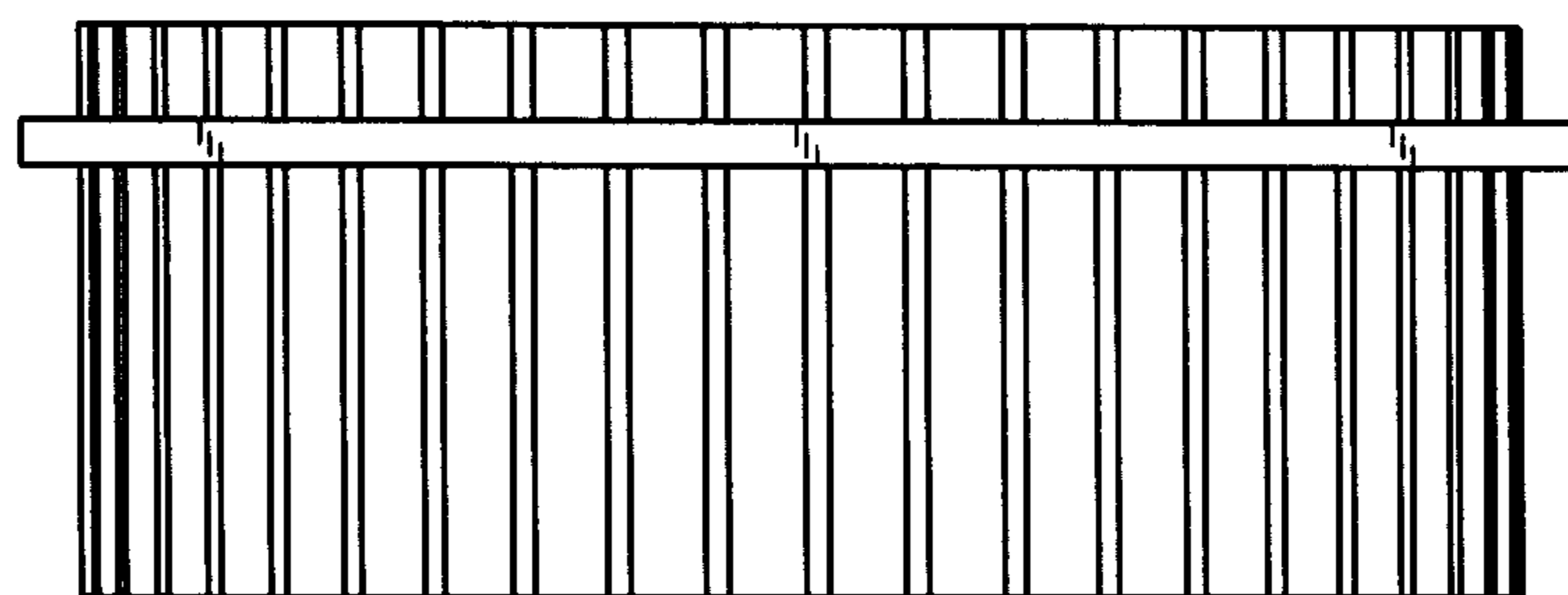
**FIG. 18**



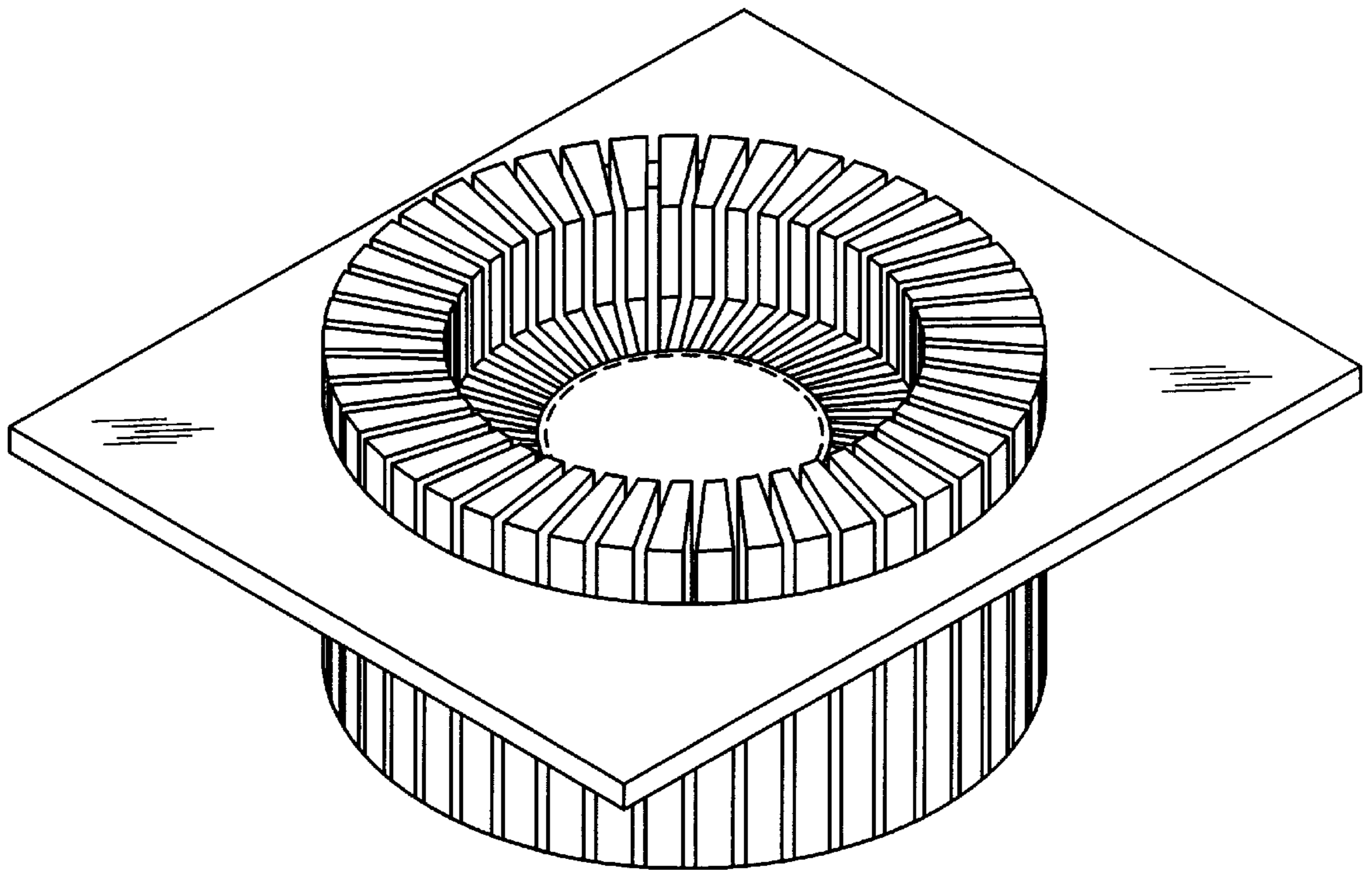
**FIG. 19**



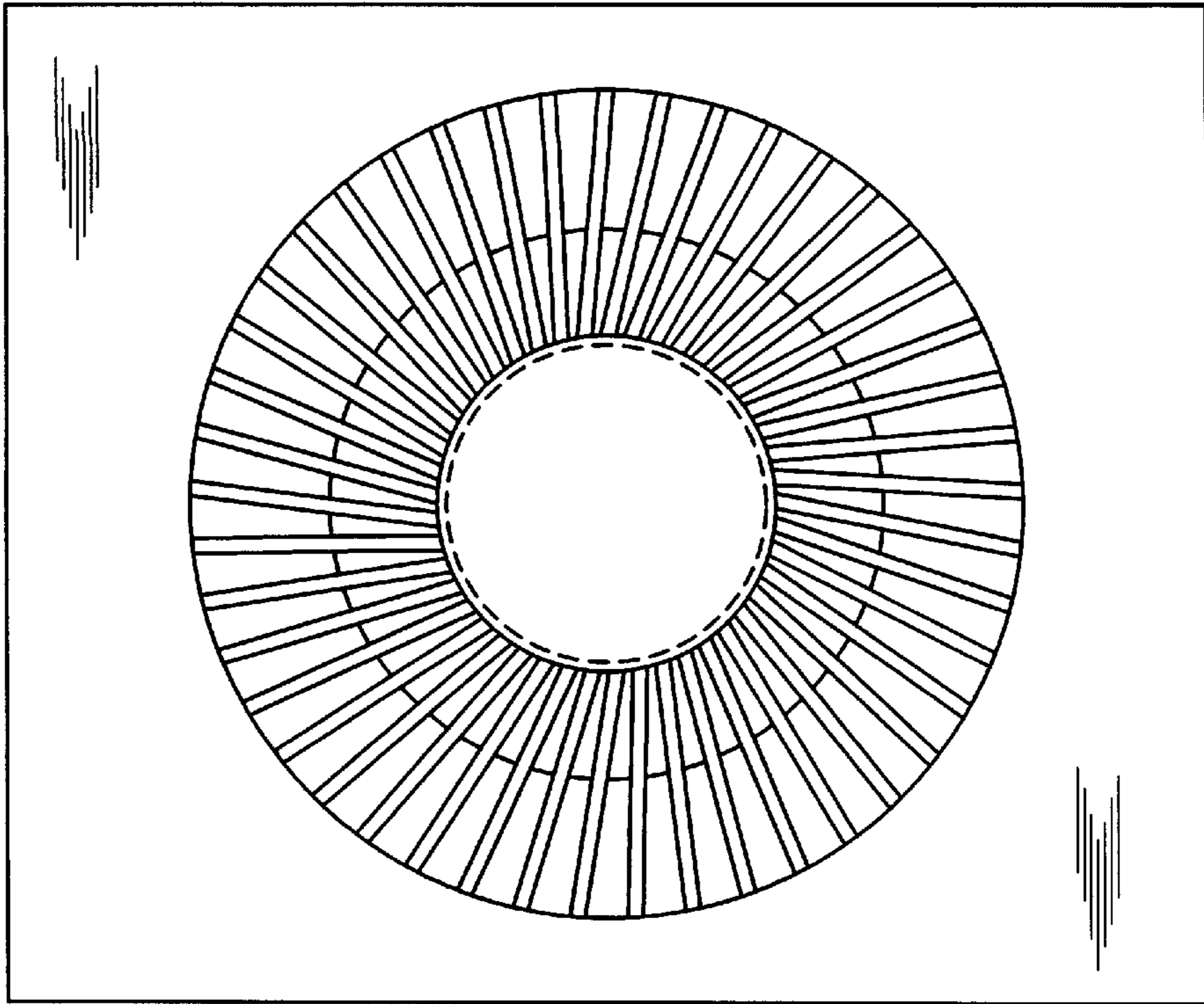
**FIG. 20**



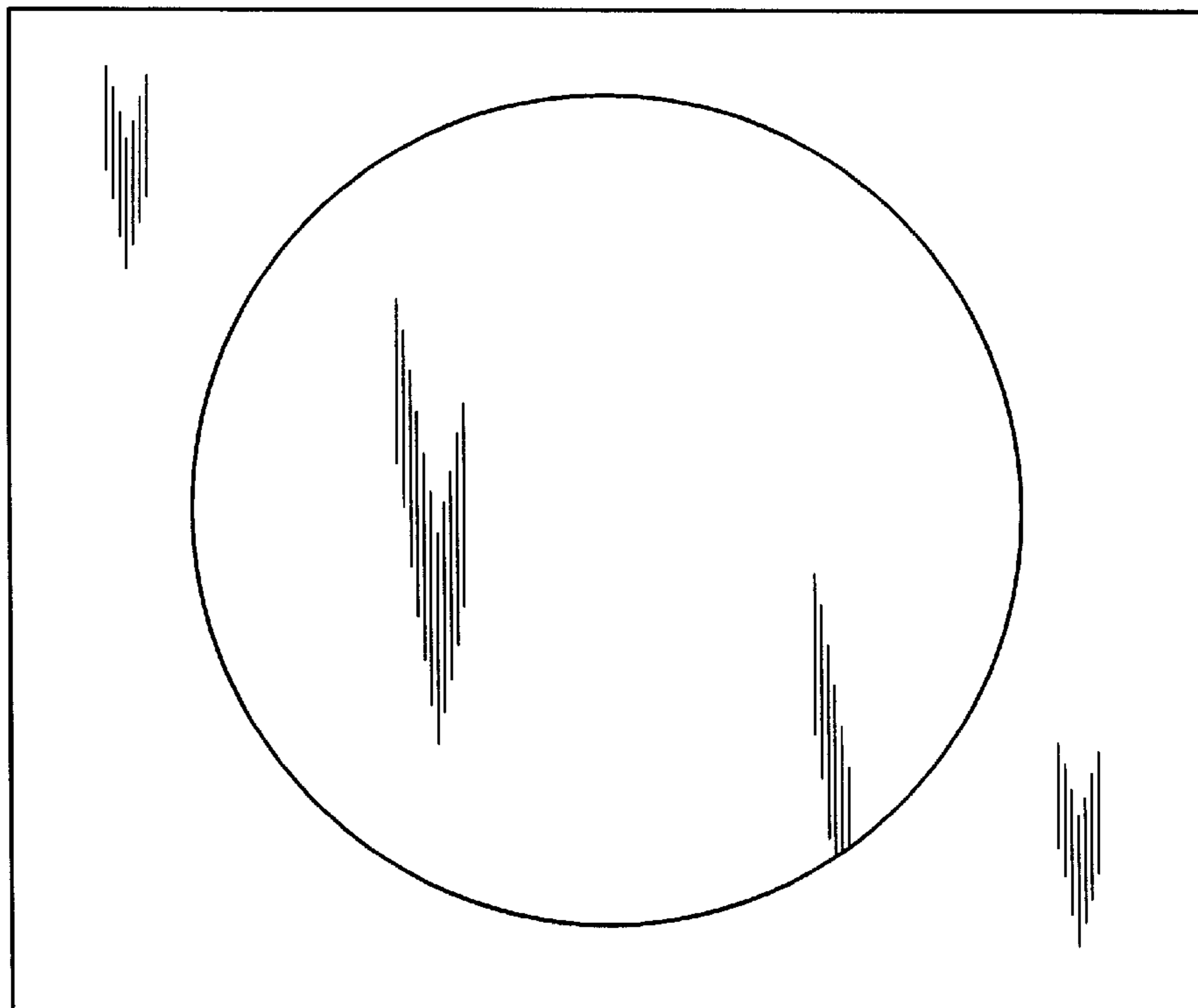
**FIG. 21**



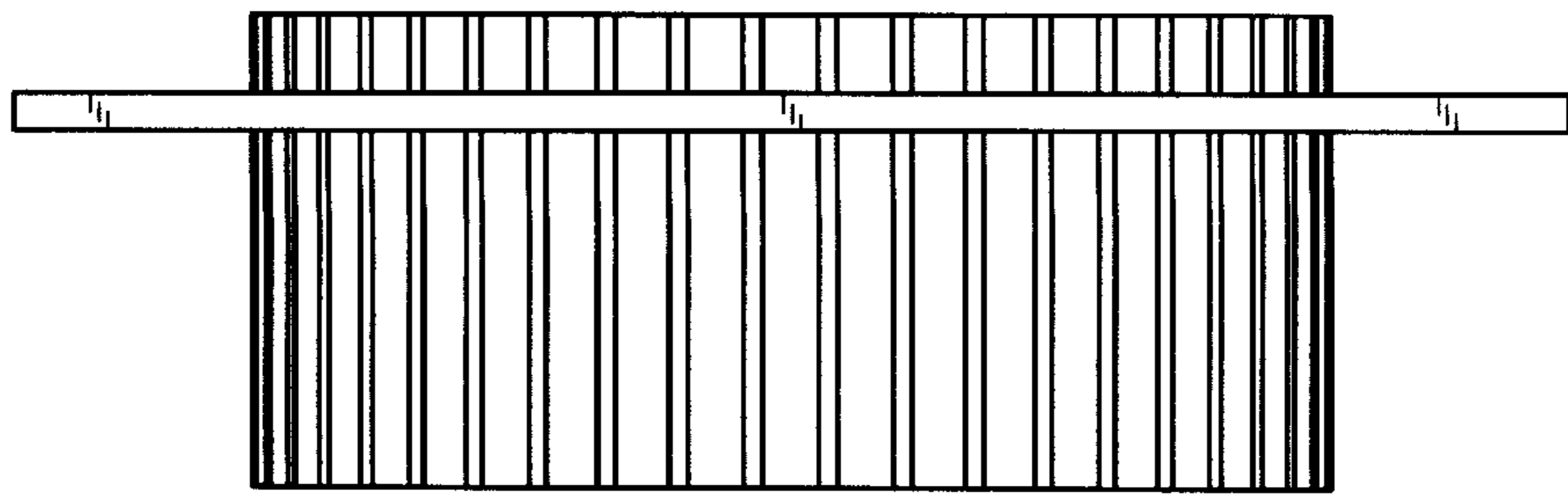
**FIG. 22**



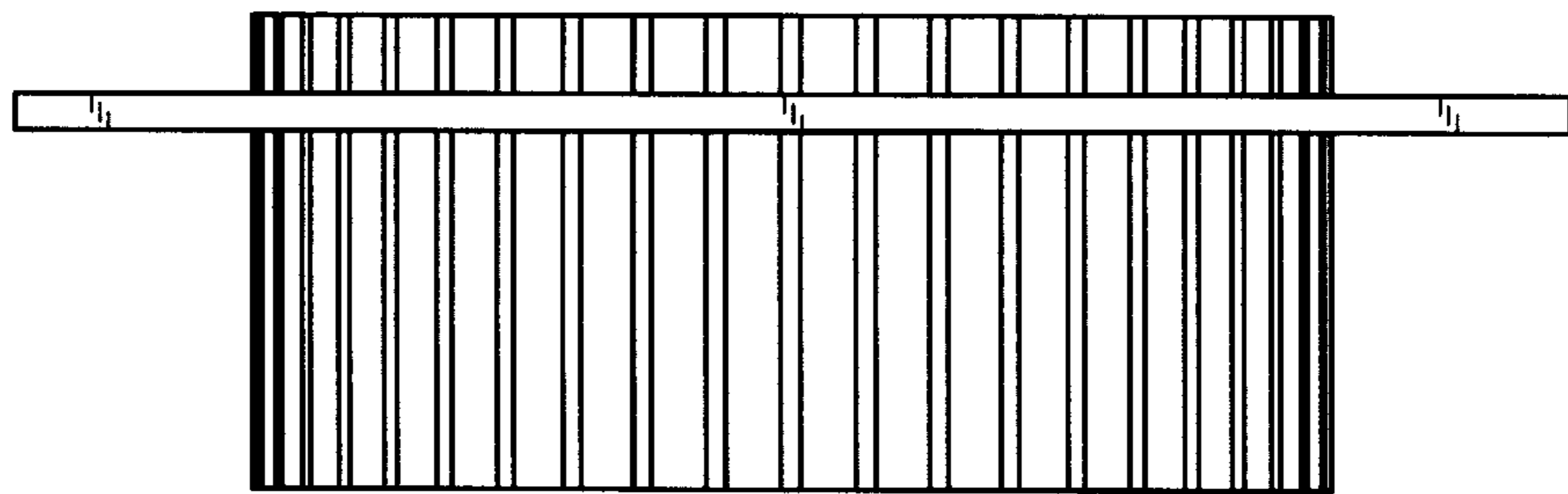
**FIG. 23**



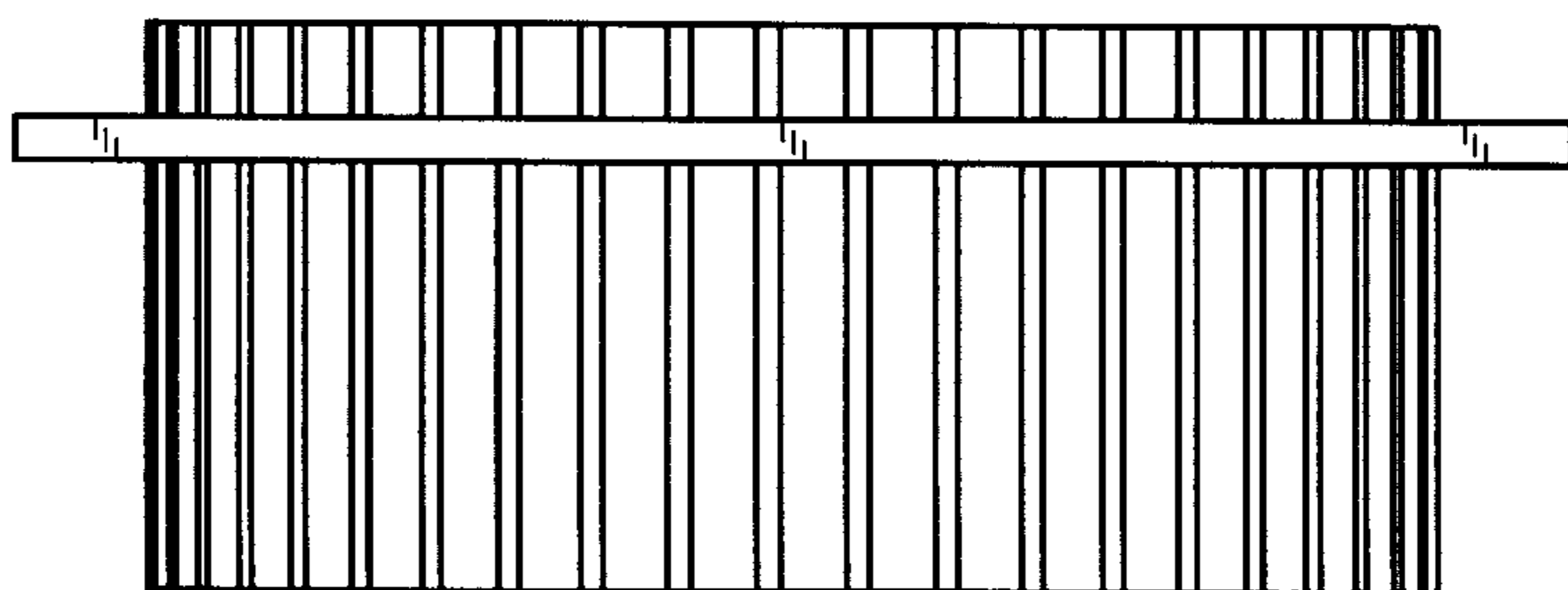
**FIG. 24**



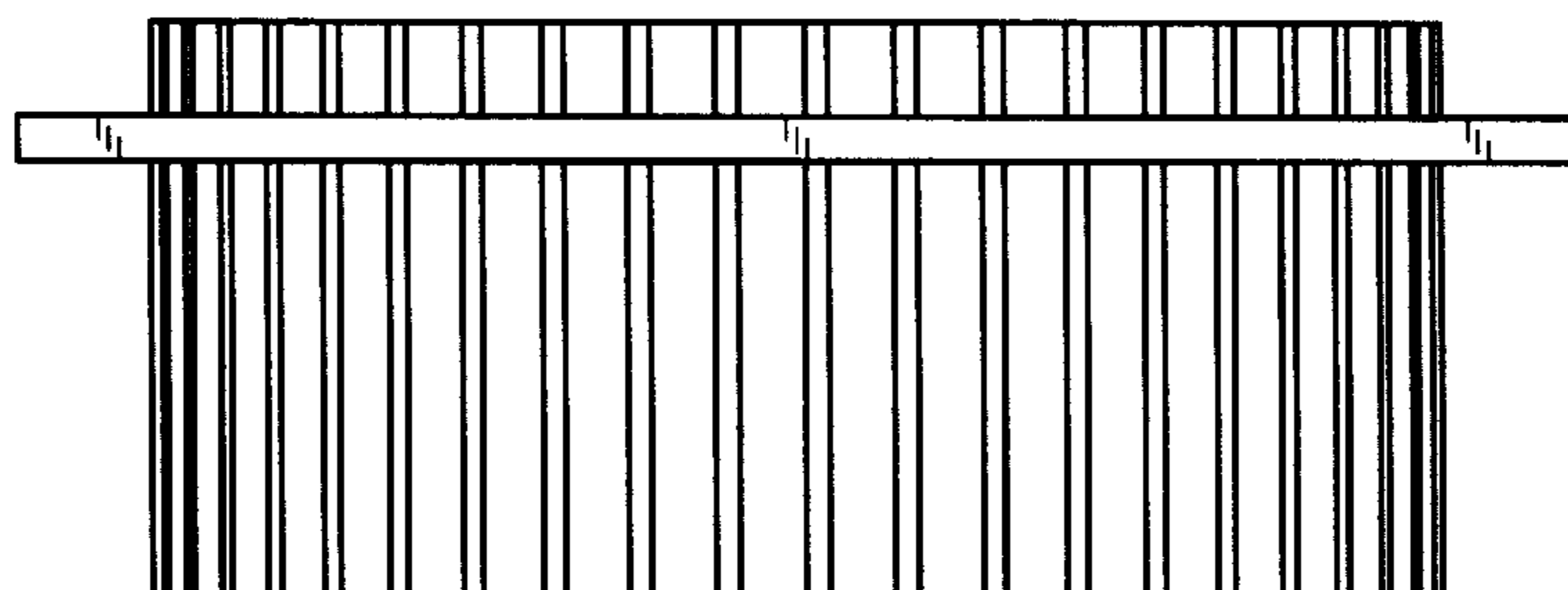
**FIG. 25**



**FIG. 26**



**FIG. 27**



**FIG. 28**