



US00D428854S

United States Patent [19]

[11] Patent Number: **Des. 428,854**

Nishio et al.

[45] Date of Patent: **** Aug. 1, 2000**

[54] **INJECTOR FOR A MEMORY CARD CONNECTOR**

[75] Inventors: **Atsushi Nishio**, Ibaraki-Ken; **Katsuhiro Hori**, Mito; **Kazuhiro Okazaki**, Hitachinaka, all of Japan

[73] Assignee: **Mitsumi Electric Co., Ltd.**, Japan

[**] Term: **14 Years**

[21] Appl. No.: **29/106,471**

[22] Filed: **Jun. 16, 1999**

[30] **Foreign Application Priority Data**

Dec. 18, 1998 [JP] Japan 10-36566

[51] **LOC (7) Cl.** **13-03**

[52] **U.S. Cl.** **D13/154**

[58] **Field of Search** D13/146, 147, D13/154; 439/64, 79, 159

[56] **References Cited**

U.S. PATENT DOCUMENTS

D. 320,003 9/1991 Komatsu D13/147
D. 416,541 11/1999 Hirai et al. D13/147

5,139,435	8/1992	Komatsu et al.	439/159
5,389,001	2/1995	Broschard, III et al.	439/159
5,492,481	2/1996	Lewis	439/159
5,954,522	9/1999	Ho et al.	439/79
5,967,803	10/1999	Ho	439/79
5,967,813	10/1999	Ho et al.	439/159
5,967,845	10/1999	Ho et al.	439/64 X

Primary Examiner—Joel Sincavage
Attorney, Agent, or Firm—Morrison Law Firm

[57] **CLAIM**

The ornamental design for a injector for a memory card connector, as shown and described.

DESCRIPTION

FIG. 1 is a top, rear, right side perspective view of an injector for a memory card connector showing our design; FIG. 2 is a top plan view thereof; FIG. 3 is a front elevational view thereof; FIG. 4 is a left side elevational view thereof, the right side being the same; FIG. 5 is a right side elevational view thereof; FIG. 6 is a rear elevational view thereof; and, FIG. 7 bottom plan view thereof.

1 Claim, 5 Drawing Sheets

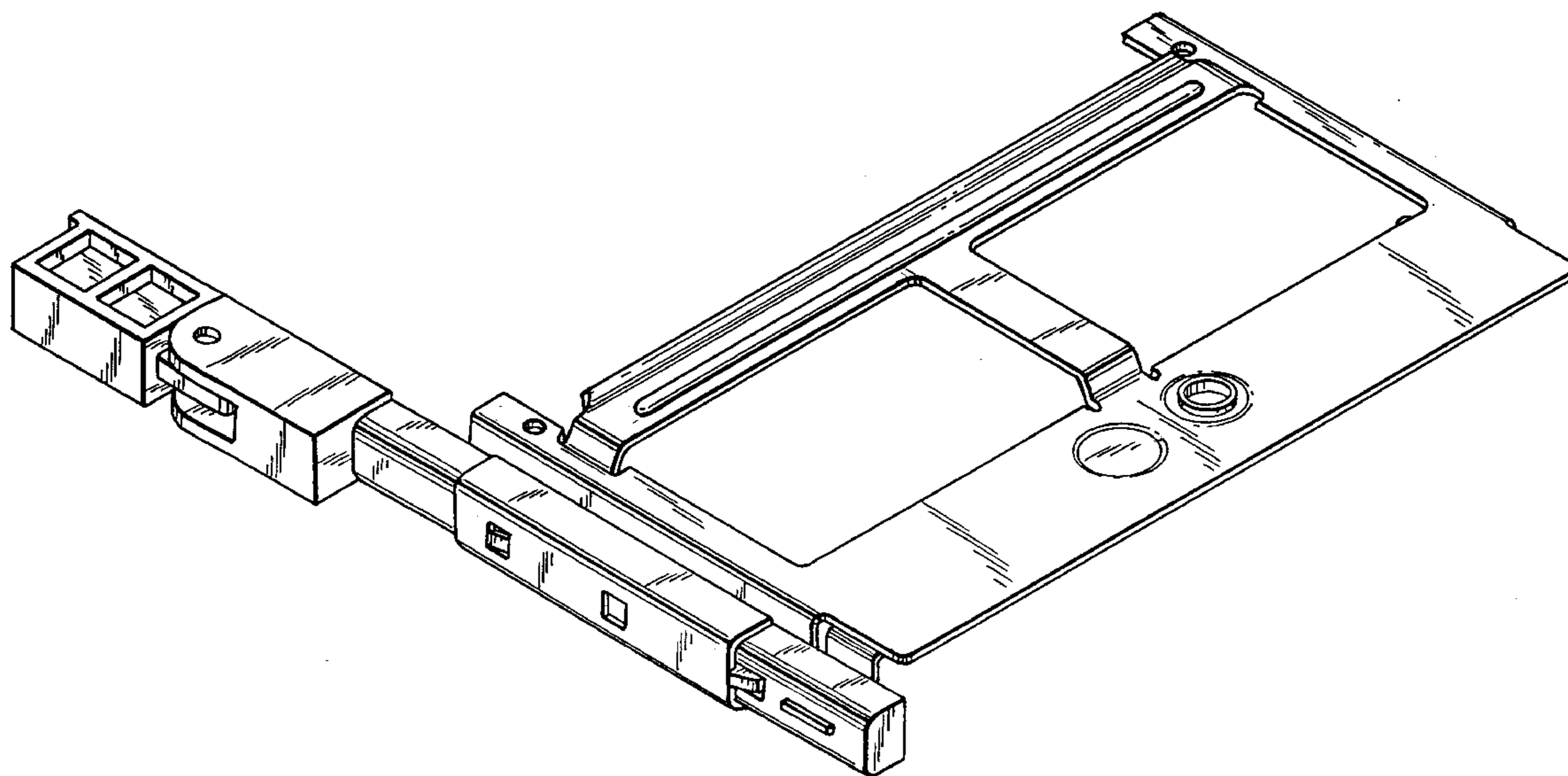
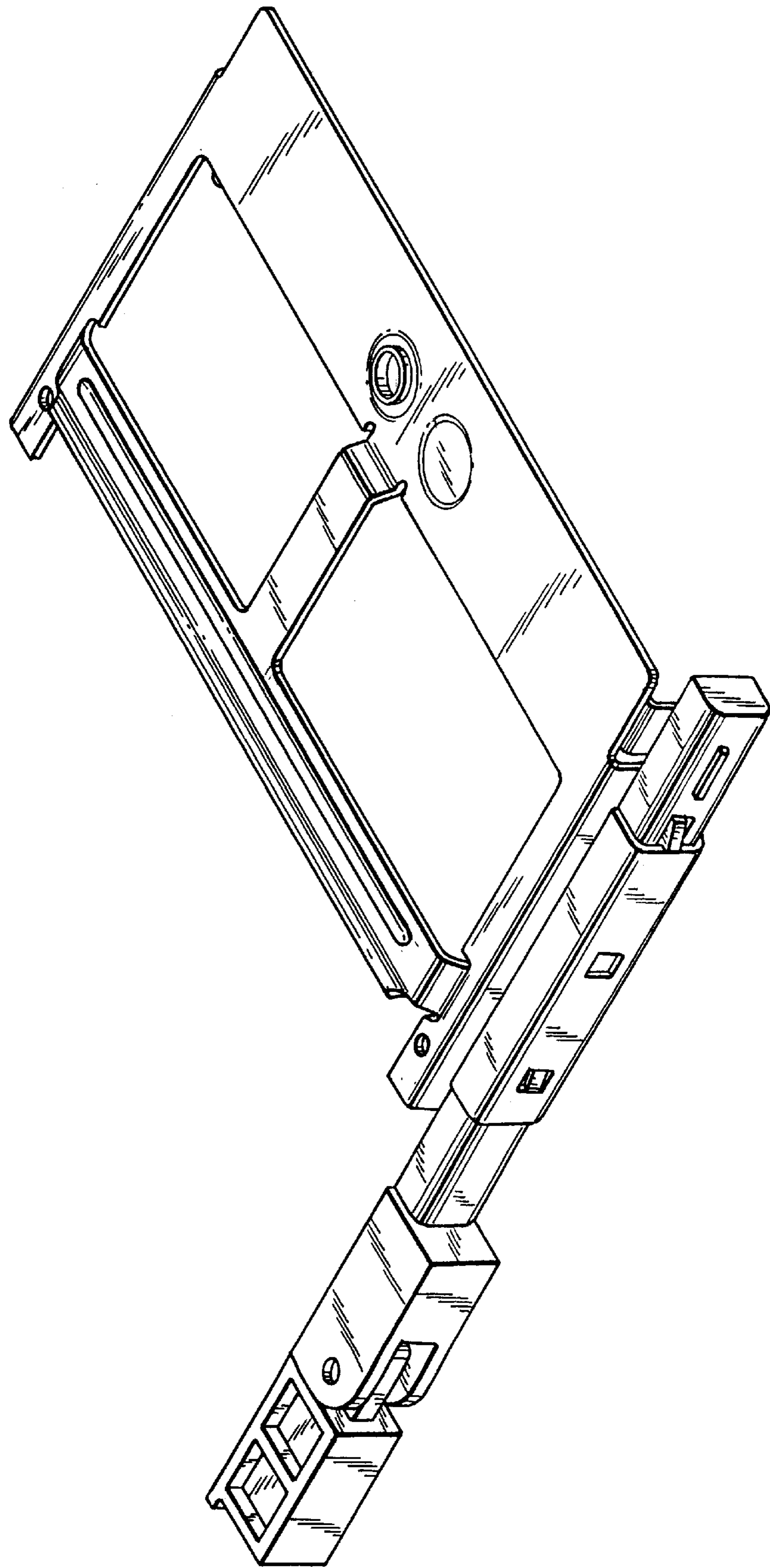
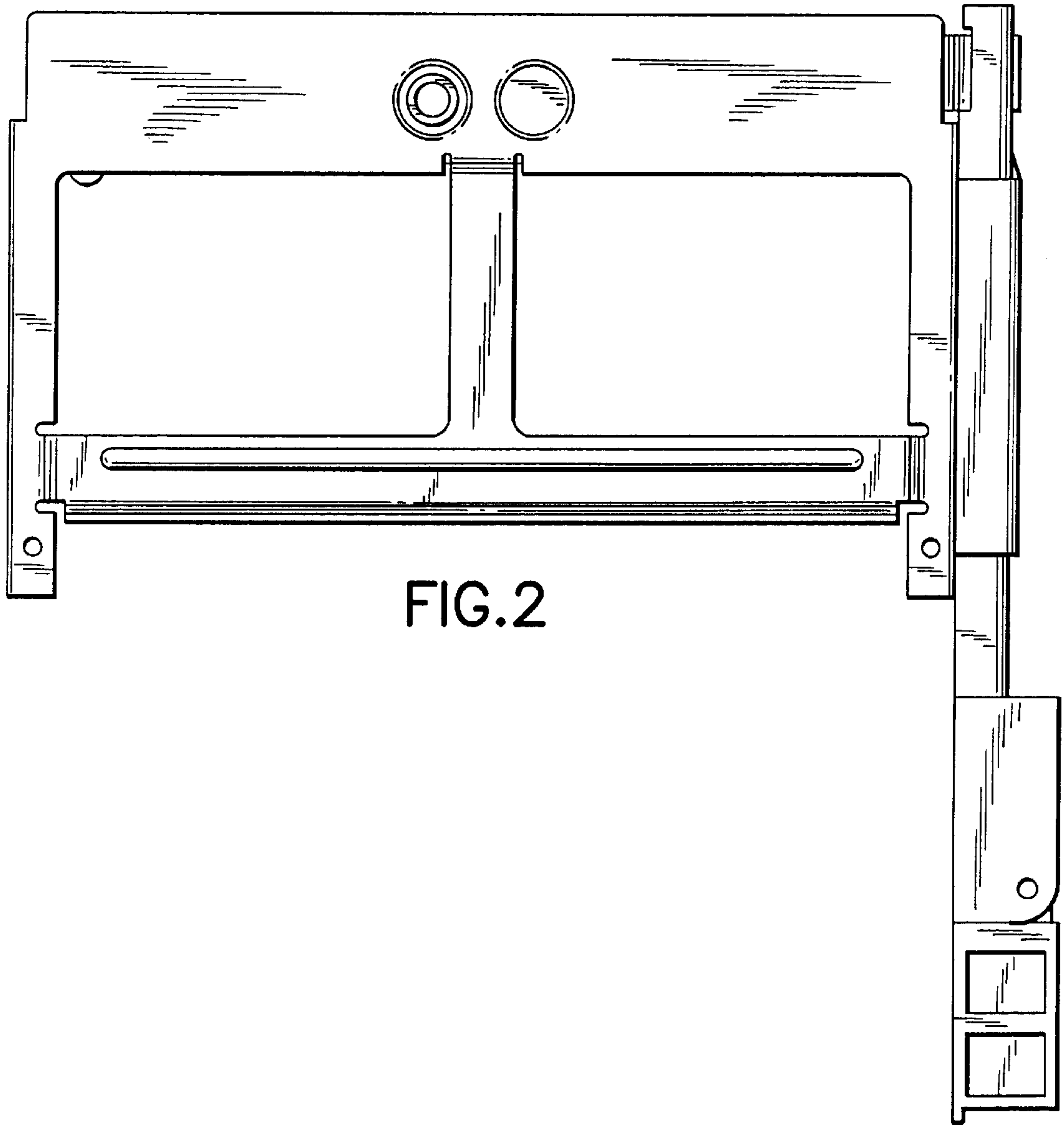


FIG. 1





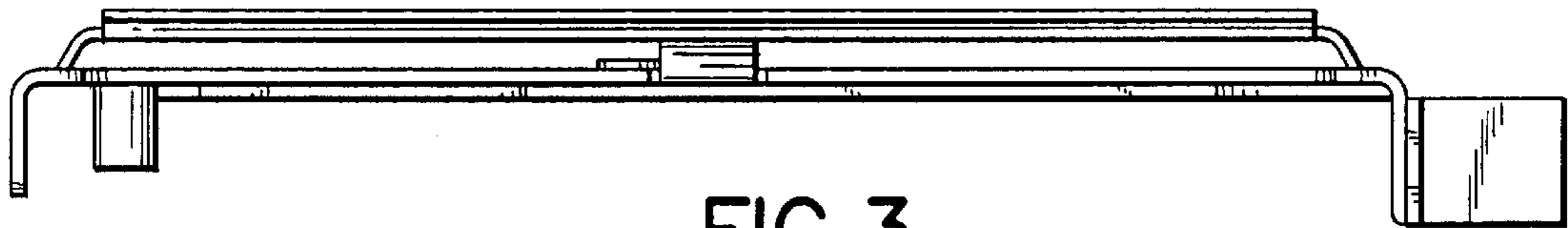


FIG.3

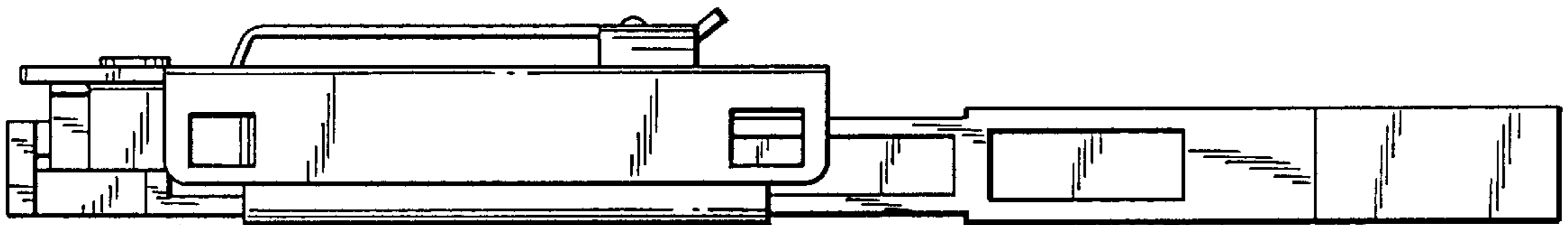


FIG.4

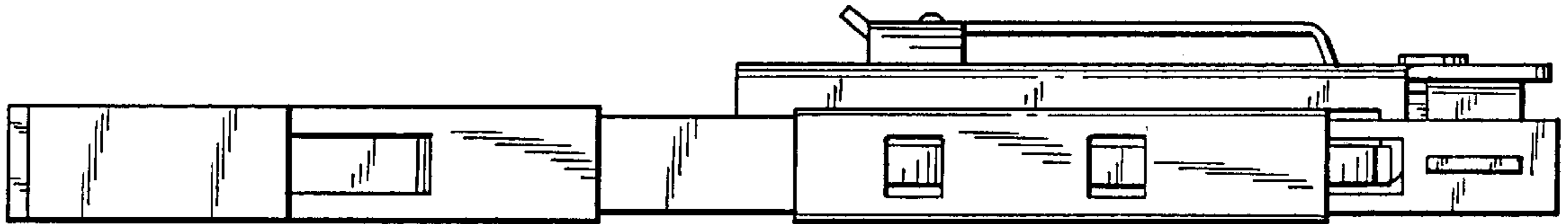


FIG. 5

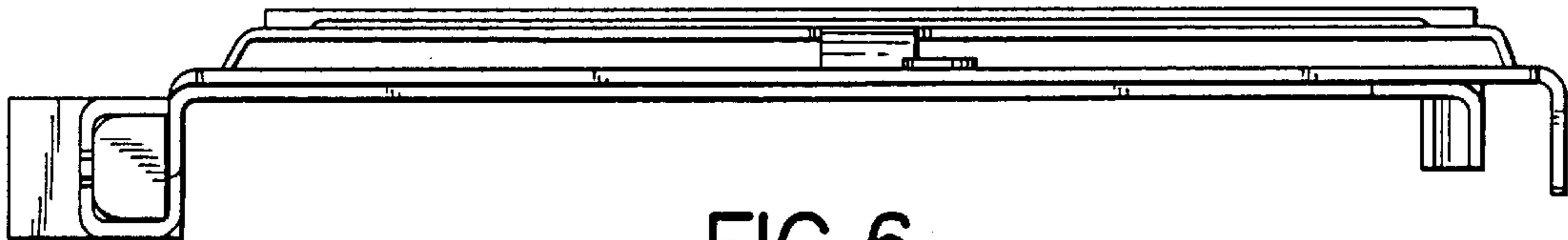


FIG. 6

