



US00D428852S

United States Patent [19] Klutt

[11] Patent Number: Des. 428,852

[45] Date of Patent: ** Aug. 1, 2000

[54] BATTERY COVER

[76] Inventor: Peter R. Klutt, 8219 4th Line, Milton, Ontario, Canada, L9T 2X9

[**] Term: 14 Years

[21] Appl. No.: 29/106,575

[22] Filed: Jun. 18, 1999

[51] LOC (7) Cl. 13-02

[52] U.S. Cl. D13/119

[58] Field of Search D13/119, 104;
429/177, 179, 82-89

4,517,262 5/1985 Beidler 429/87
4,636,446 1/1987 Lee 429/54
4,851,305 7/1989 Kump et al. 429/84
5,686,202 11/1997 Hooke et al. 429/176 X

FOREIGN PATENT DOCUMENTS

2218564 11/1989 United Kingdom H01M 2/12

Primary Examiner—Joel Sincavage
Attorney, Agent, or Firm—Patrick J. Hofbauer

[57] CLAIM

The ornamental design for a battery cover, as shown and described.

DESCRIPTION

FIG. 1 is a perspective view of a battery cover showing my new design.

FIG. 2 is a top plan view of FIG. 1.

FIG. 3 is a bottom plan view of FIG. 1.

FIG. 4 is a front elevational view of FIG. 1.

FIG. 5 is a rear elevational view of FIG. 1.

FIG. 6 is a left side elevational view of FIG. 1; and,

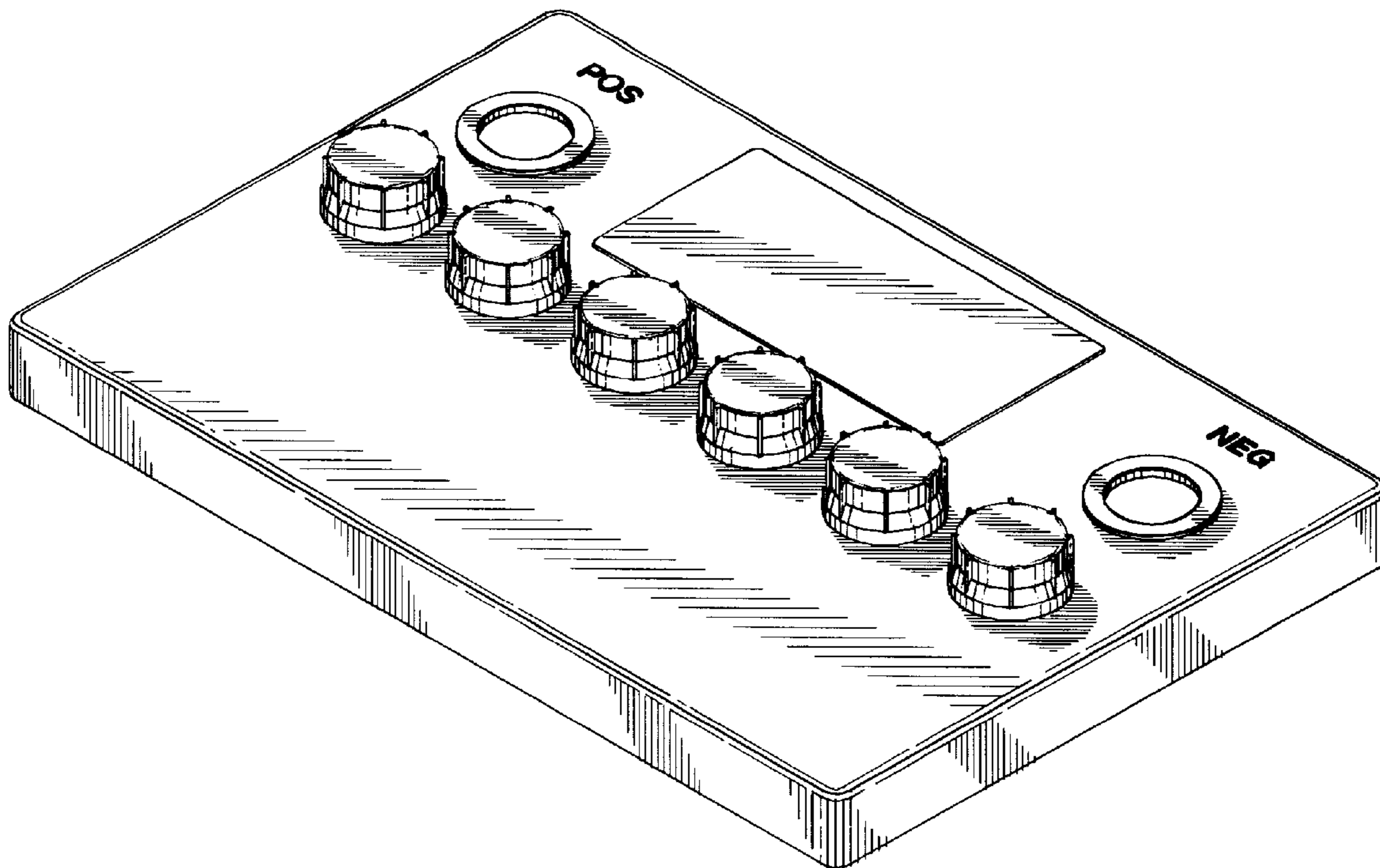
FIG. 7 is a right side elevational view of FIG. 1.

1 Claim, 3 Drawing Sheets

[56] References Cited

U.S. PATENT DOCUMENTS

D. 188,421	7/1960	Slautterback	D13/104
D. 196,798	11/1963	Worrell	D13/104
D. 201,440	6/1965	Harrison	D13/119
2,708,214	5/1955	Galloway	429/89
3,078,330	2/1963	Slautterback	429/89
3,657,020	4/1972	Harrah	429/87
3,992,226	11/1976	Godshalk	429/89
4,010,044	3/1977	Schaumburg	429/82



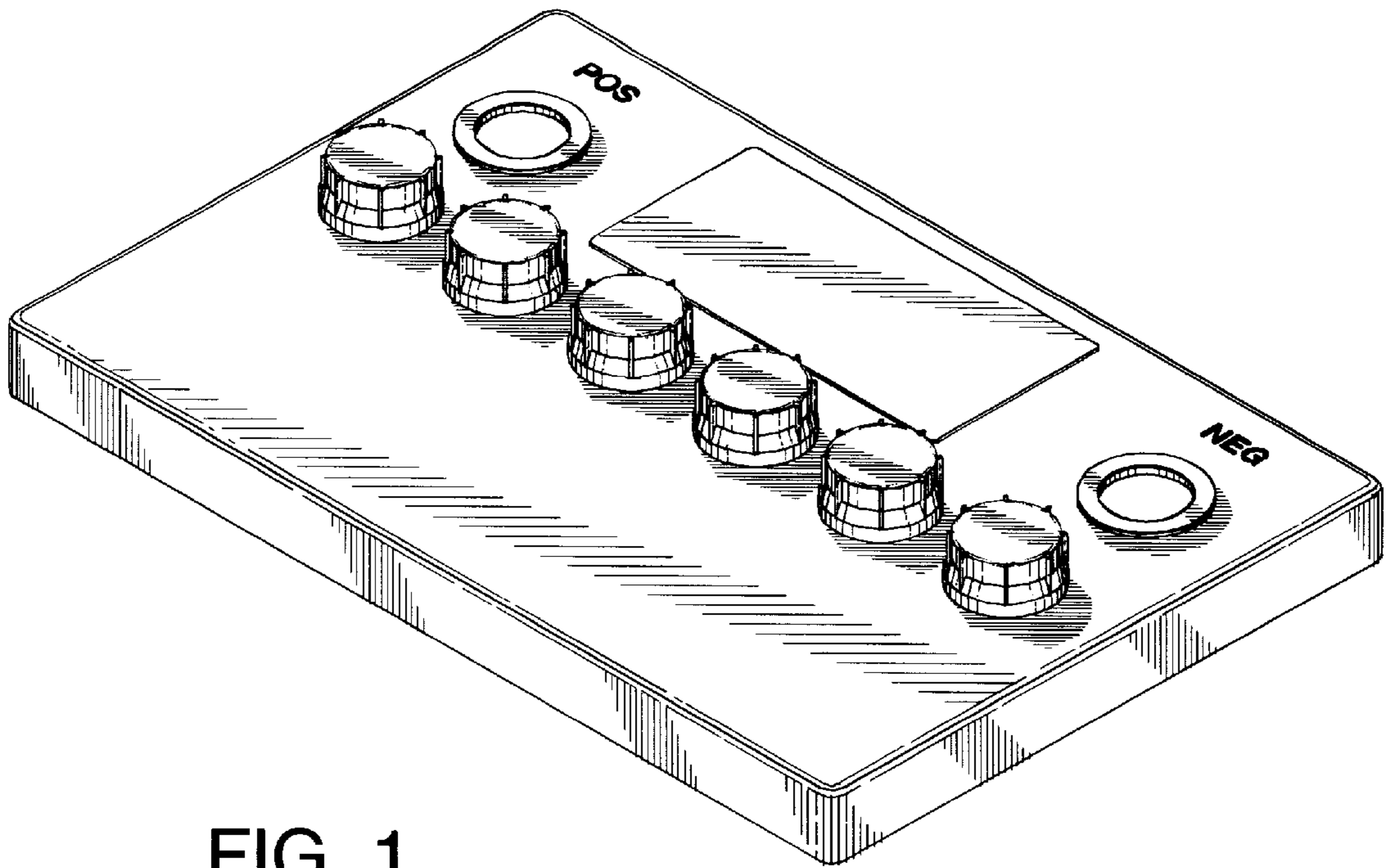


FIG. 1

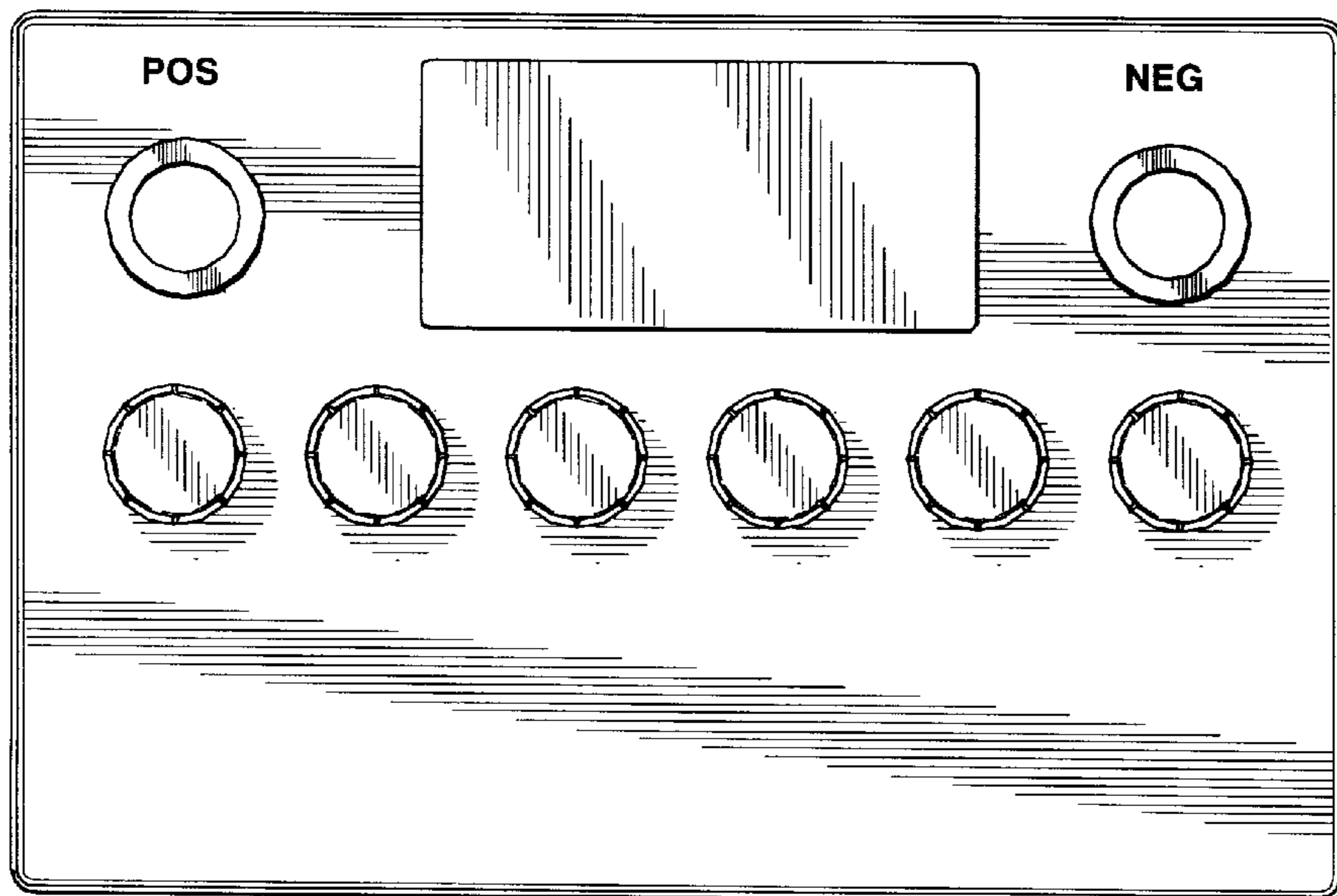


FIG. 2

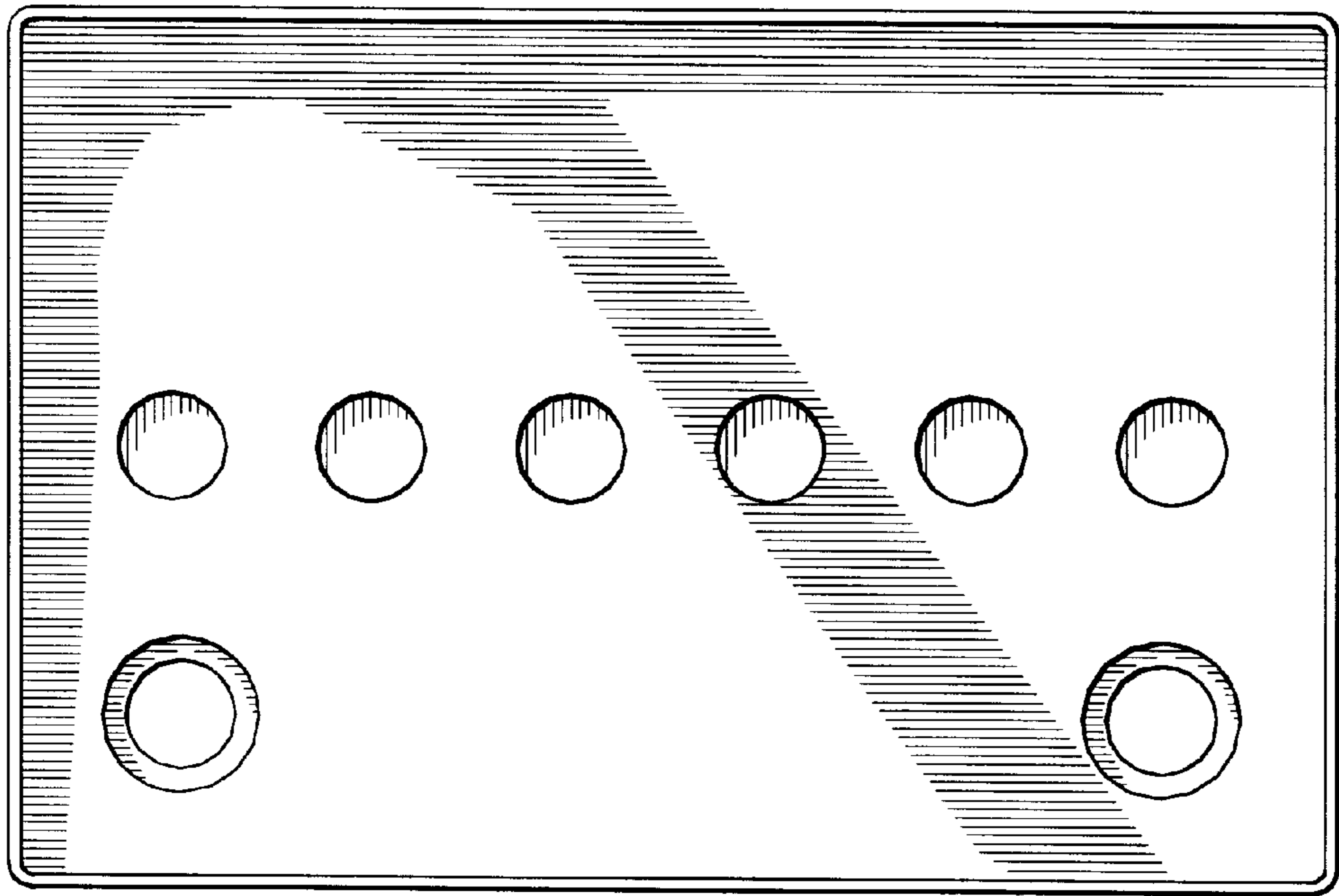


FIG. 3

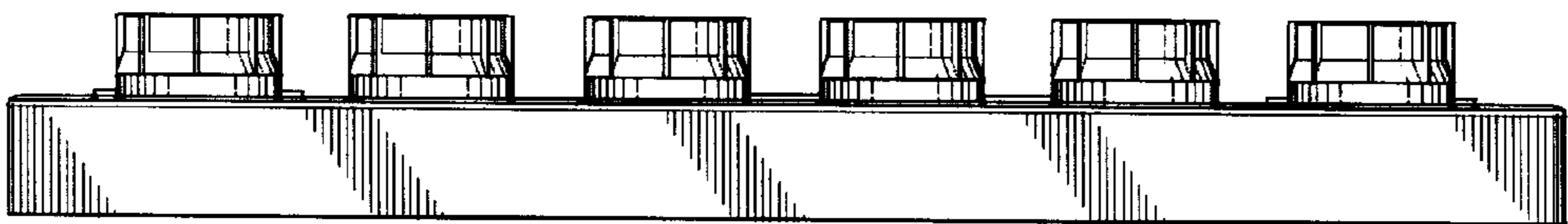


FIG. 4

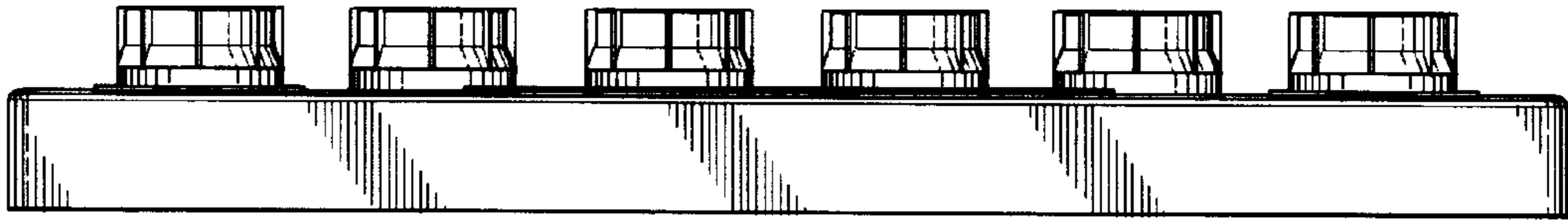


FIG. 5

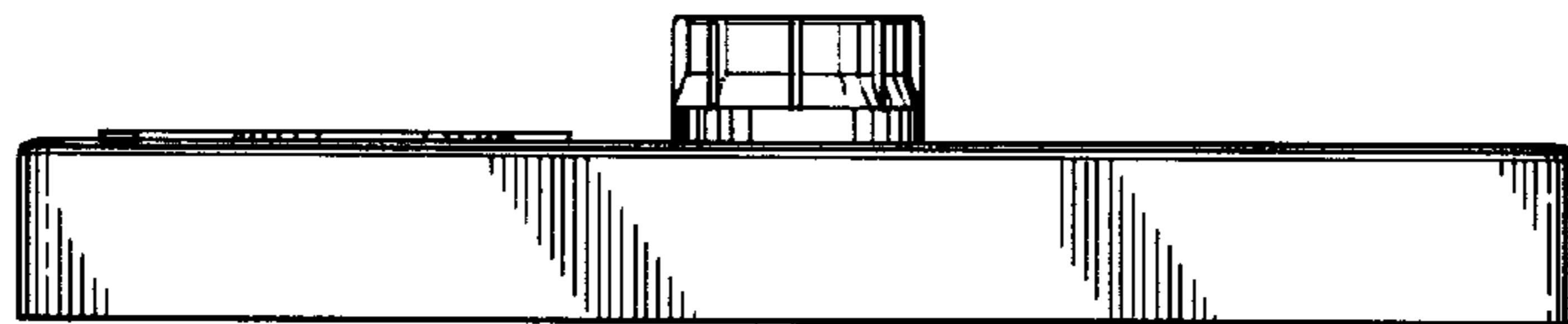


FIG. 6

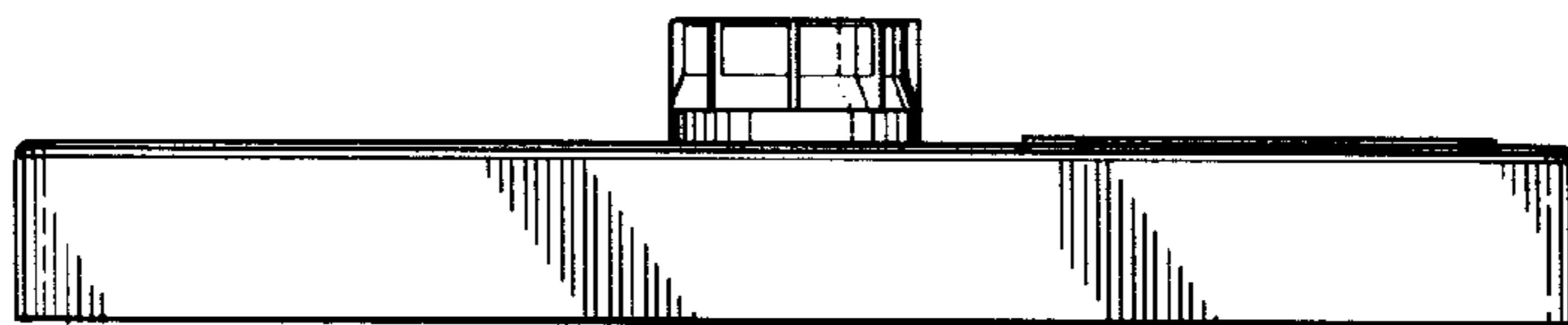


FIG. 7