



US00D428850S

United States Patent [19]

Gerlock et al.

[11] Patent Number: **Des. 428,850**

[45] Date of Patent: **** Aug. 1, 2000**

[54] **POWER STACK BASIC POWER MODULE ARCHITECTURE**

5,909,358	6/1999	Bradt	361/707
5,945,746	8/1999	Tracewell et al.	361/704
5,946,190	8/1999	Patel et al.	361/700
5,946,192	8/1999	Ishigami et al.	361/704

[75] Inventors: **Kevin C. Gerlock**, San Jose; **Klaas B. Bol**, Los Gatos, both of Calif.

Primary Examiner—Joel Sincavage
Attorney, Agent, or Firm—Townsend and Townsend and Crew LLP

[73] Assignee: **Spectrian**, Sunnyvale, Calif.

[**] Term: **14 Years**

[57] CLAIM

[21] Appl. No.: **29/093,786**

The ornamental design for the power stack basic power module architecture, as shown and described.

[22] Filed: **Sep. 18, 1998**

DESCRIPTION

[51] **LOC (7) Cl.** **13-02**

[52] **U.S. Cl.** **D13/110**

[58] **Field of Search** D13/110; 361/728, 361/735; 307/150

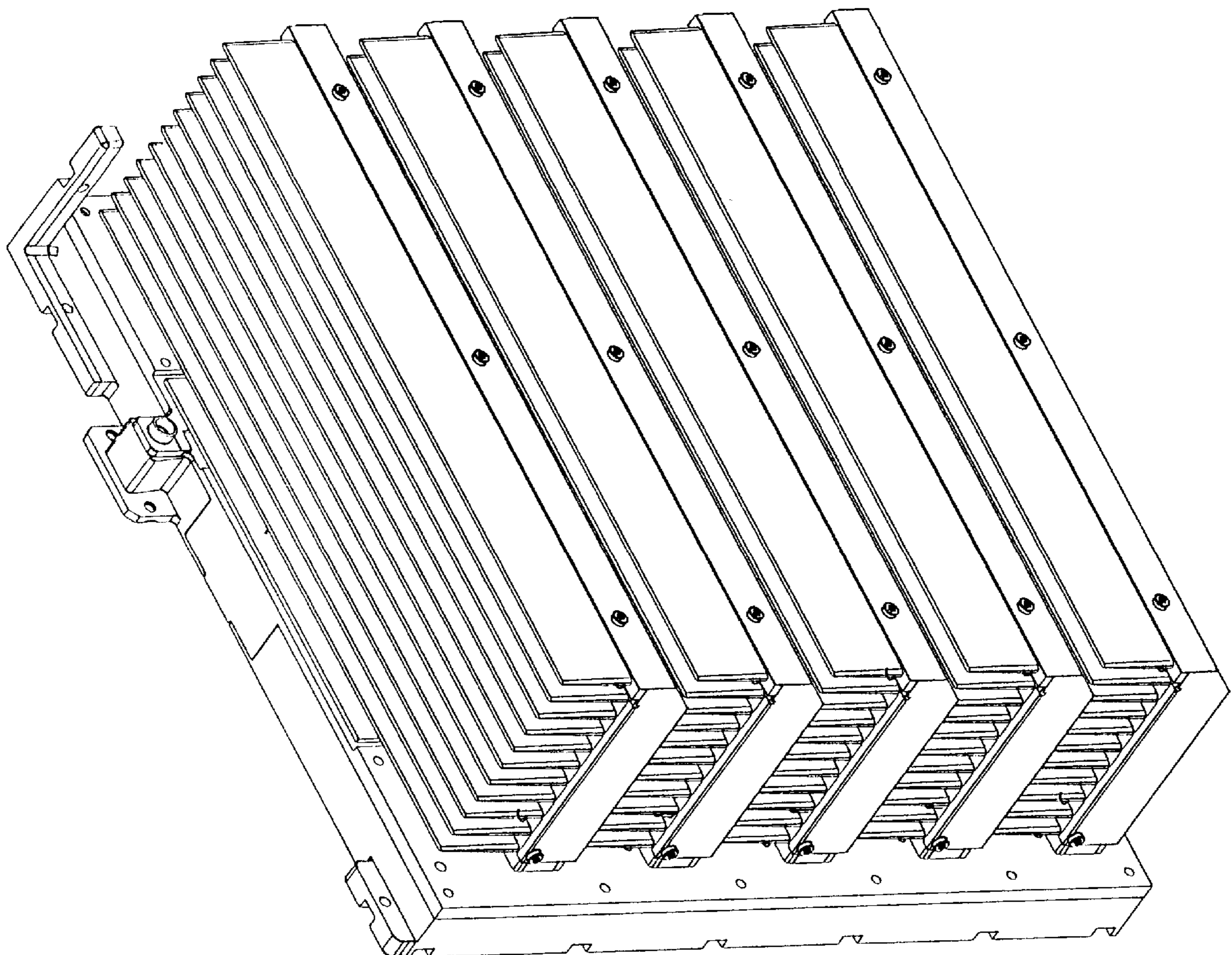
FIG. 1 is a perspective view of a power stack basic power module architecture showing my new design; FIG. 2 is a top plan view thereof; FIG. 3 is a front elevational view, FIG. 4 is a right side elevational view, FIG. 5 is a rear elevational view, FIG. 6 is a bottom plan view thereof; and, FIG. 7 is a left side elevational view.

[56] References Cited

U.S. PATENT DOCUMENTS

D. 185,222	5/1959	Rye et al.	D13/110
D. 328,057	7/1992	Prager et al.	D13/110
4,855,809	8/1989	Malhi et al.	361/728 X
5,680,294	10/1997	Stora et al.	361/695

1 Claim, 7 Drawing Sheets



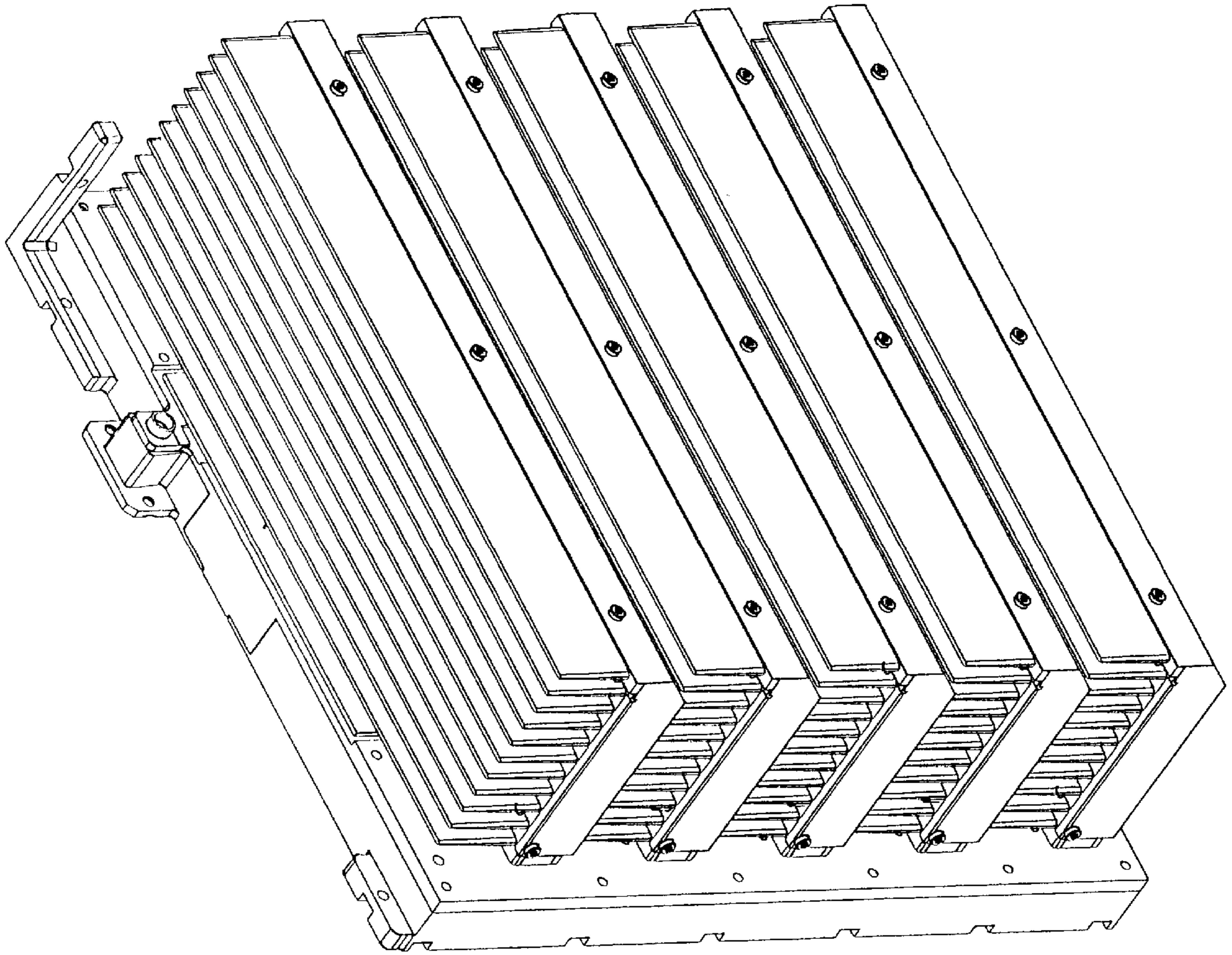


Figure 1

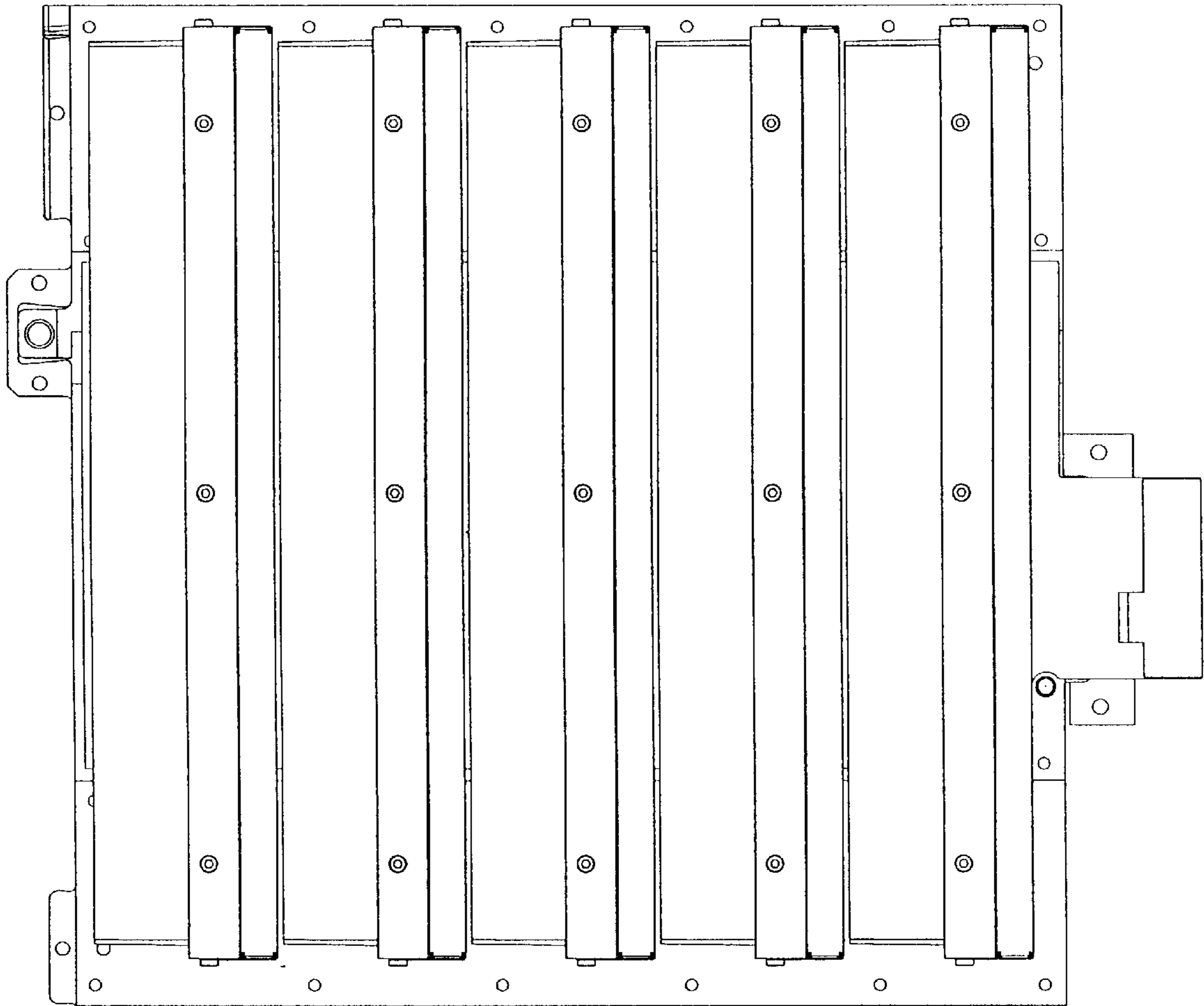


Figure 2

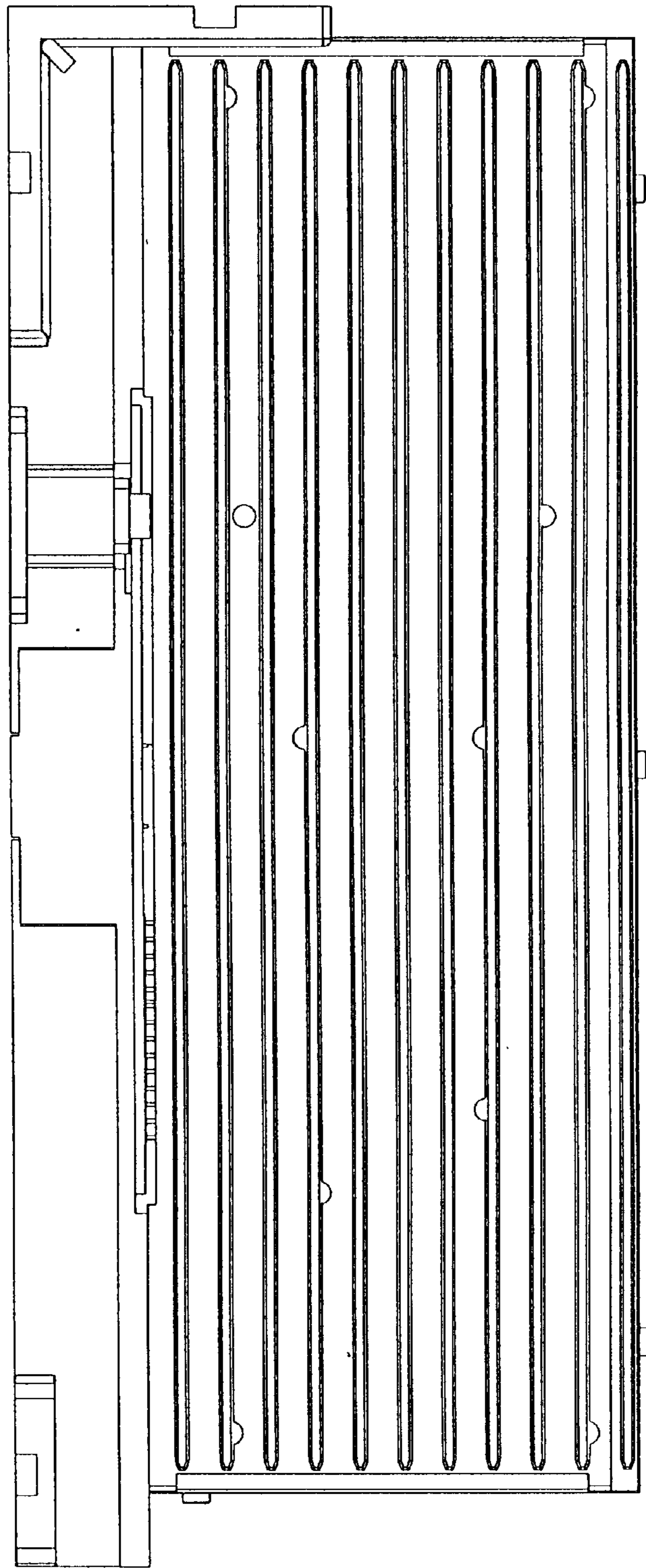


Figure 3

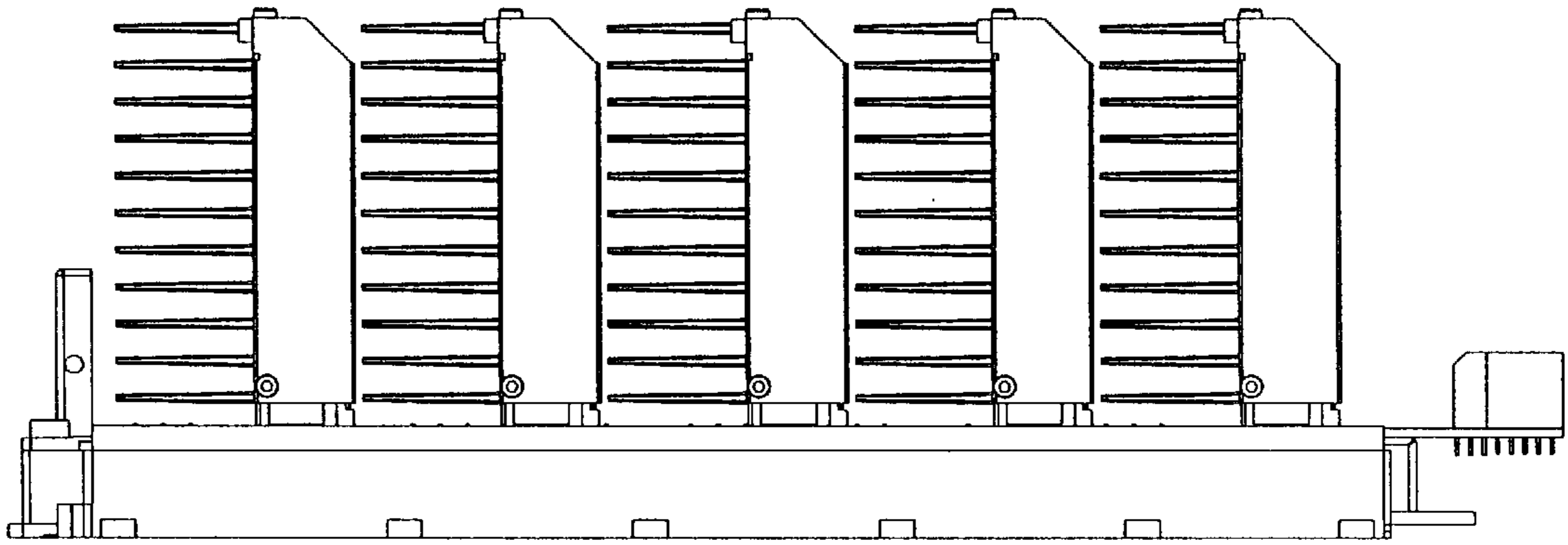


Figure 4

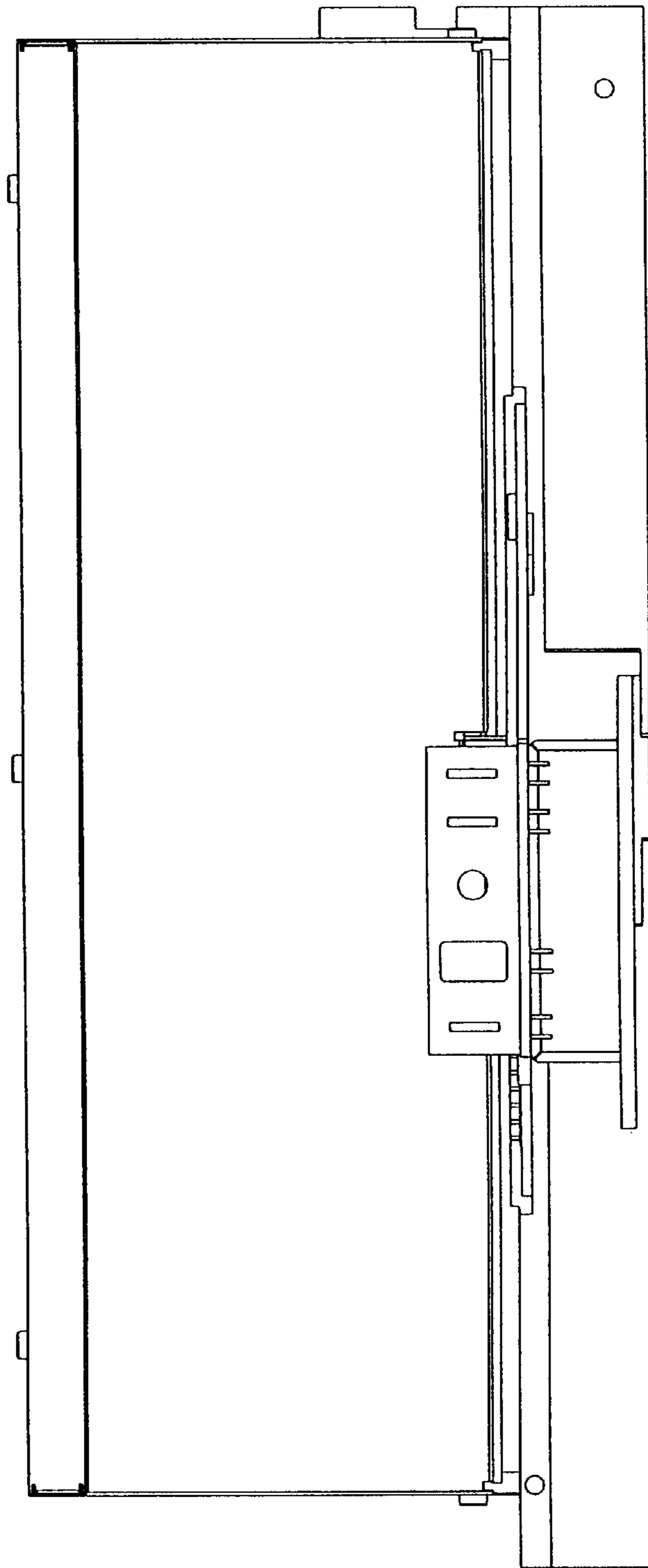


Figure 5

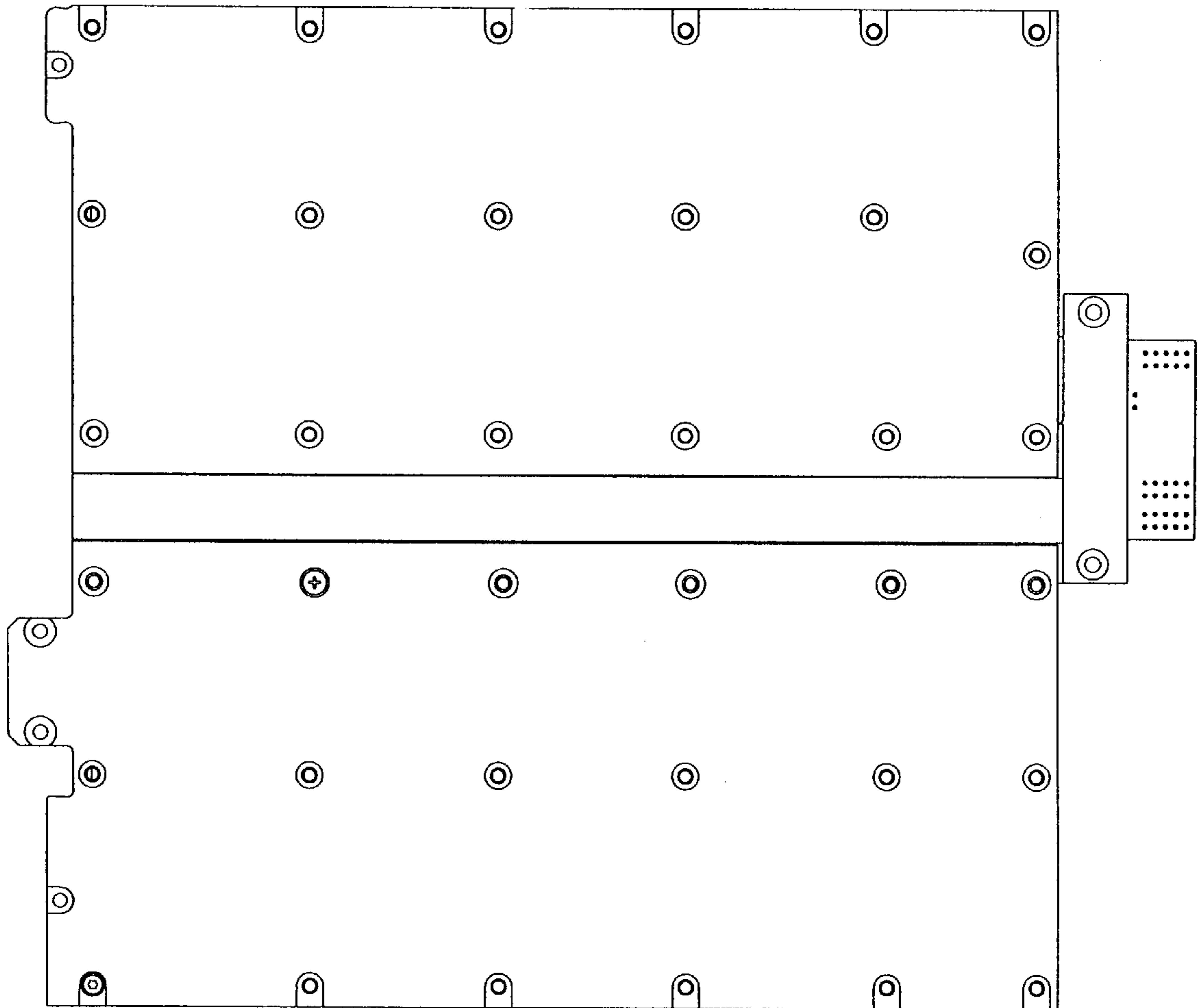


Figure 6

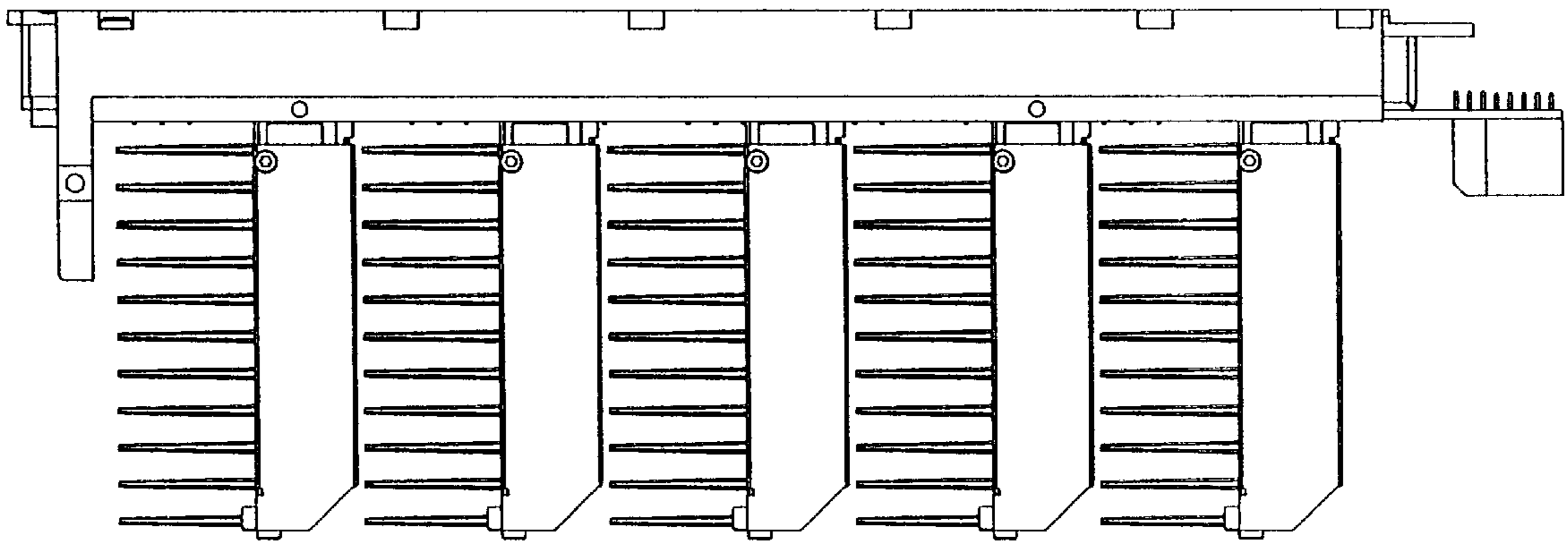


Figure 7