



US00D428849S

United States Patent [19] Higginson

[11] **Patent Number: Des. 428,849**

[45] **Date of Patent: ** Aug. 1, 2000**

[54] **OVERHEAD CONSOLE**

[75] Inventor: **Dean E. Higginson**, Eugene, Oreg.

[73] Assignee: **Rosen Products LLC**, Eugene, Oreg.

[**] Term: **14 Years**

[21] Appl. No.: **29/091,919**

[22] Filed: **Aug. 7, 1998**

[51] **LOC (7) Cl.** **12-16**

[52] **U.S. Cl.** **D12/418**

[58] **Field of Search** D12/418, 415,
D12/400; D14/124-126, 129, 113, 132-133,
100; 296/37.1-37.8, 70; 224/311, 539;
180/90

[56] **References Cited**

U.S. PATENT DOCUMENTS

D. 245,772	9/1977	Drafton	D12/418
D. 247,234	2/1978	Stewart	D12/418
D. 260,143	8/1981	Hoese	D12/418
D. 297,826	9/1988	Cody	D12/48
D. 320,587	10/1991	Kapp et al.	D12/418

D. 339,780	9/1993	Burdick	D12/418
D. 340,016	10/1993	Falcoff	D12/418
D. 340,215	10/1993	Falcoff	D12/418
D. 411,822	7/1999	Ellis	D12/418
D. 413,856	9/1999	Scribner	D12/418

Primary Examiner—Stacia Cadmus
Attorney, Agent, or Firm—Kolisch, Hartwell, Dickinson,
McCormack & Heuser

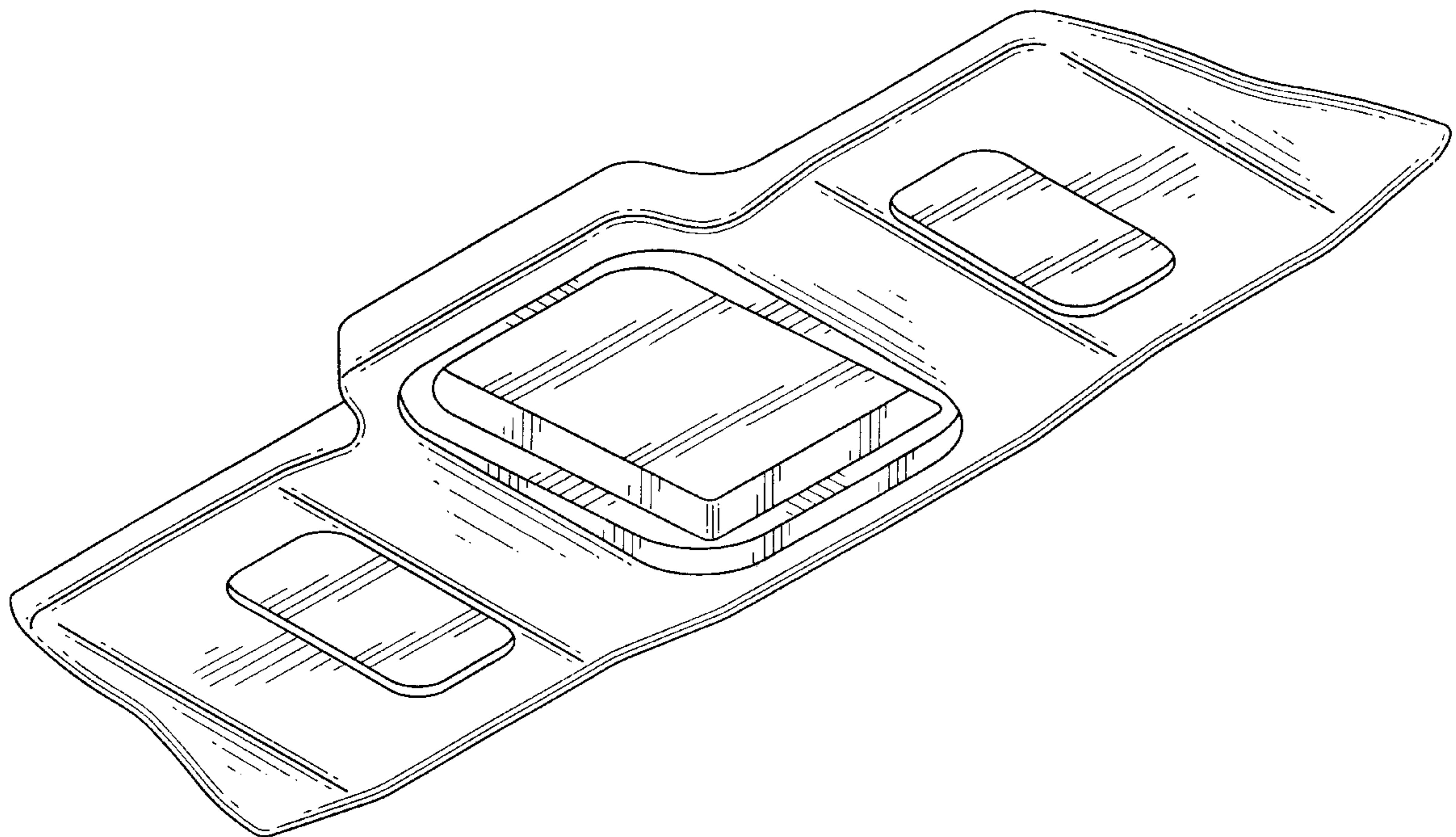
[57] **CLAIM**

The ornamental design for an overhead console, as shown and described.

DESCRIPTION

FIG. 1 is an isometric view of an overhead console constructed in accordance with the present invention; FIG. 2 is a bottom view of the overhead console shown in FIG. 1; FIG. 3 is a left-side view of the overhead console shown in FIG. 1, the right-side view being a mirror image thereof; FIG. 4 is a front view of the overhead console shown in FIG. 1; and, FIG. 5 is a rear view of the overhead console in FIG. 1.

1 Claim, 2 Drawing Sheets



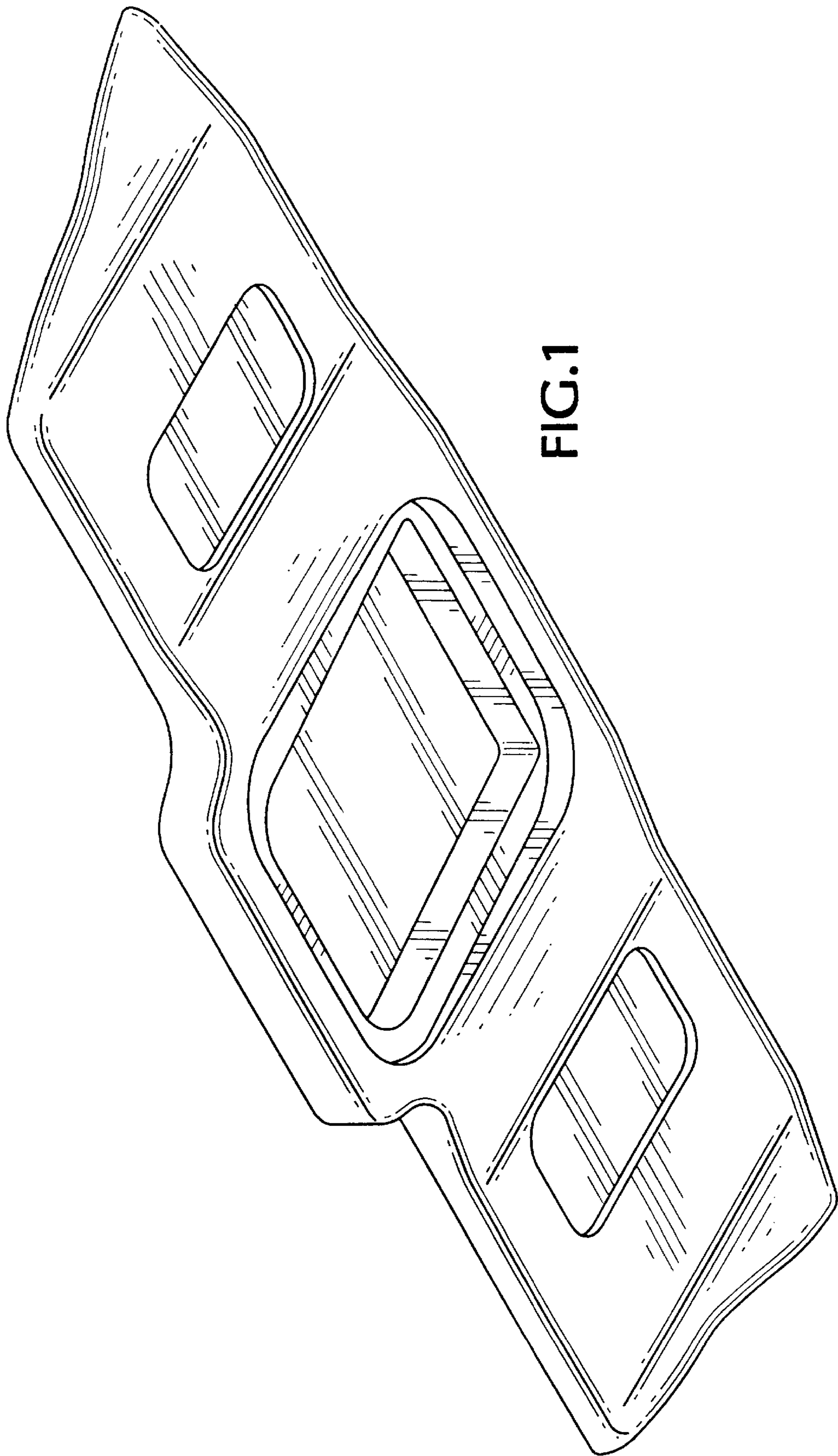


FIG.1

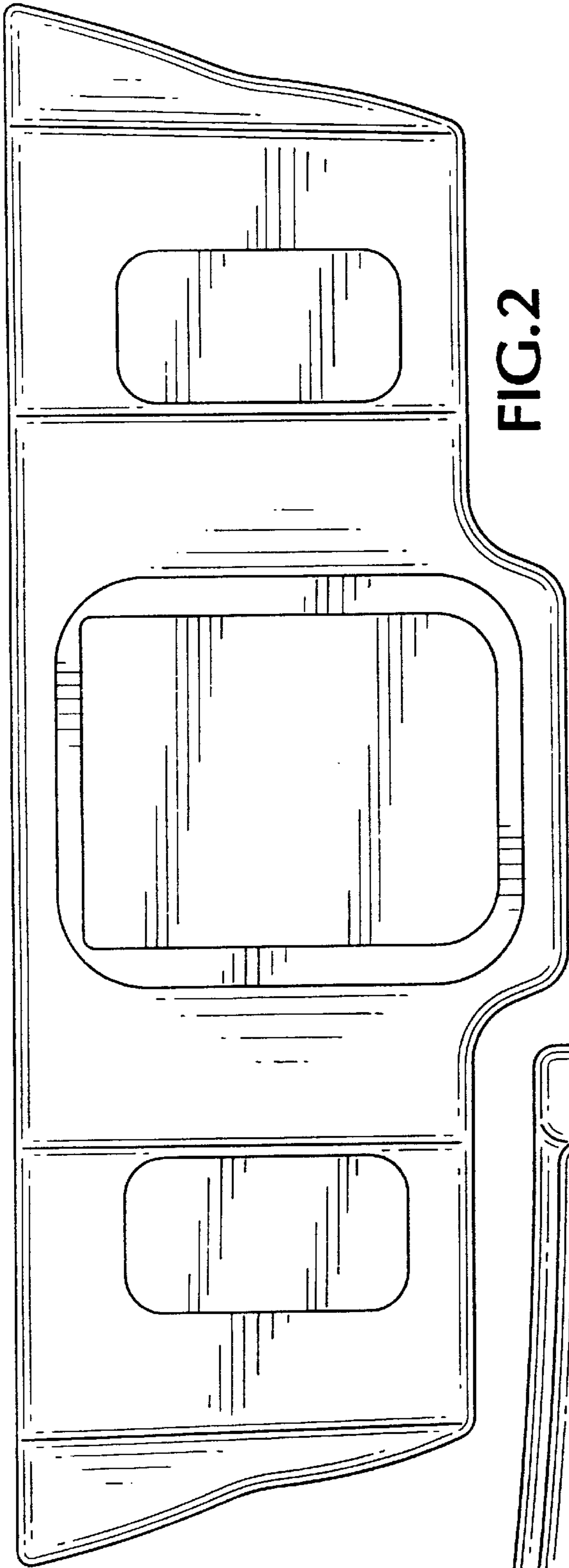


FIG. 2

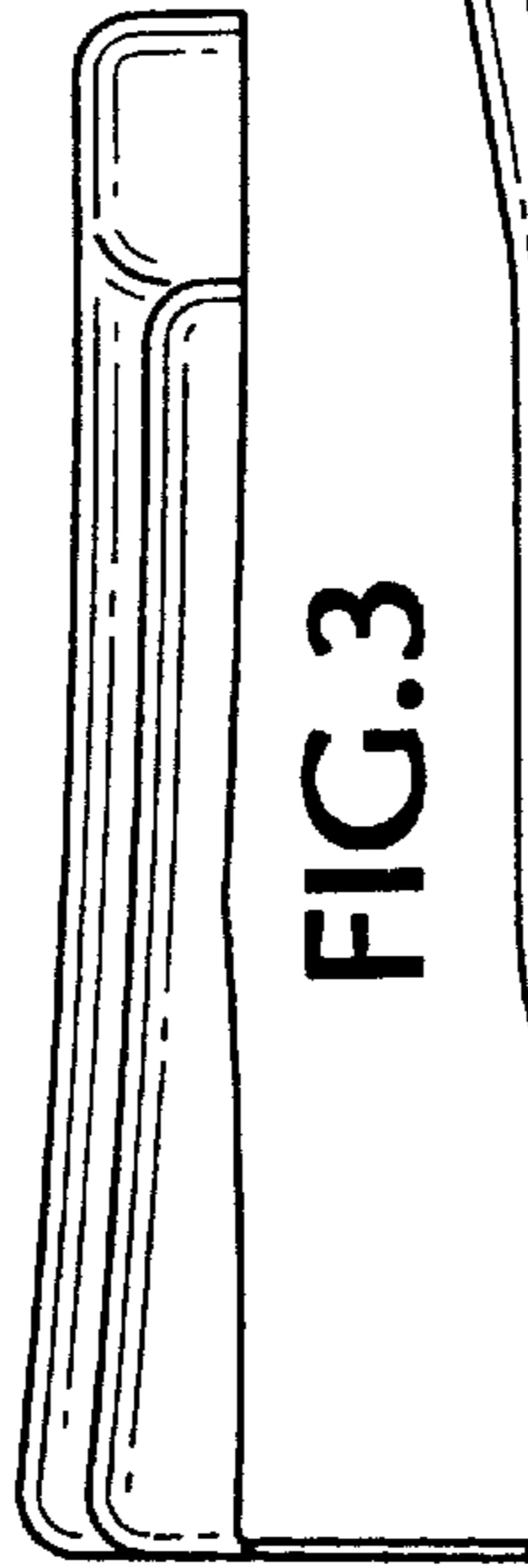


FIG. 3

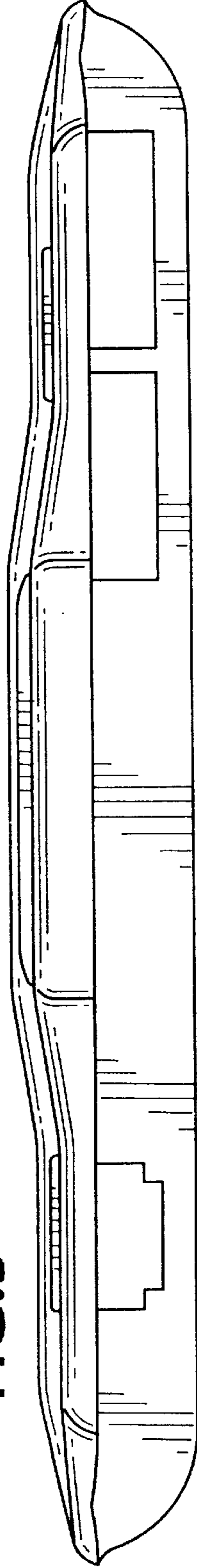


FIG. 4

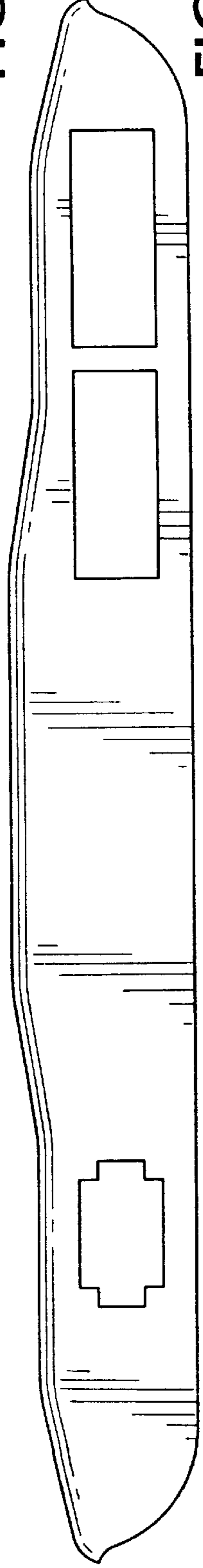


FIG. 5