



US00D428845S

United States Patent [19]

Yoshida et al.

[11] Patent Number: **Des. 428,845**

[45] Date of Patent: **** Aug. 1, 2000**

[54] **WHEEL FOR A MOTOR VEHICLE**

[75] Inventors: **Mitsuhiro Yoshida**, Hiroshima; **Takeshi Fujii**, Hatsukaichi, both of Japan

[73] Assignee: **Mazda Motor Corporation**, Hiroshima-Ken, Japan

[**] Term: **14 Years**

[21] Appl. No.: **29/096,935**

[22] Filed: **Nov. 24, 1998**

[30] **Foreign Application Priority Data**

May 25, 1998 [JP] Japan 10-14890

[51] **LOC (7) Cl.** **12-16**

[52] **U.S. Cl.** **D12/211**

[58] **Field of Search** D12/204-213;
301/64.1, 65, 37.1

[56] **References Cited**

U.S. PATENT DOCUMENTS

D. 204,256	4/1966	Rader	D12/209
D. 212,941	12/1968	Van Winsen	D12/209
D. 302,264	7/1989	Soederberg	D12/209
D. 336,886	6/1993	Mikawa	D12/211

D. 350,523	9/1994	Mobius	D12/209
D. 361,976	9/1995	Echazabal et al.	D12/211
D. 367,030	2/1996	Bouldoukian	D12/209
D. 378,670	4/1997	Echazabal et al.	D12/209
D. 388,390	12/1997	Chung	D12/209
D. 398,896	9/1998	Suprihanto	D12/209
D. 408,774	4/1999	Nishida	D12/209
D. 412,149	7/1999	Corioni	D12/211

Primary Examiner—Stacia Cadmus
Attorney, Agent, or Firm—Sidley & Austin; Hugh A. Abrams

[57] **CLAIM**

The ornamental design for a wheel for a motor vehicle, as shown and described.

DESCRIPTION

FIG. 1 is a perspective view of a wheel for a motor vehicle; FIG. 2 is a rear perspective view of the wheel; FIG. 3 is a front view of the wheel; FIG. 4 is a rear view of the wheel; FIG. 5 is a left side view of the wheel; FIG. 6 is a right side view of the wheel; FIG. 7 is a top view of the wheel; and, FIG. 8 is a bottom view of the wheel.

1 Claim, 5 Drawing Sheets



Fig. 1

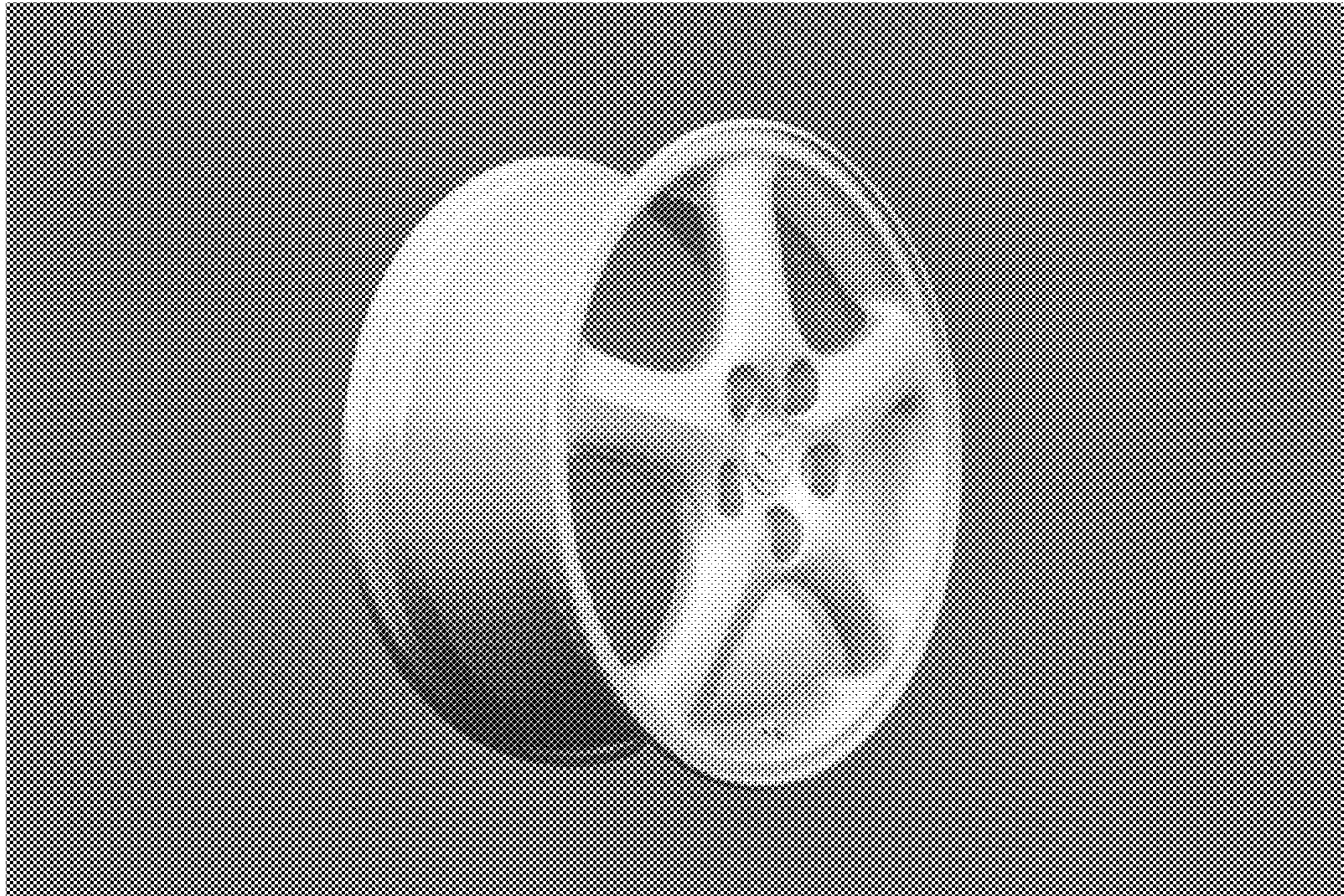


Fig.2

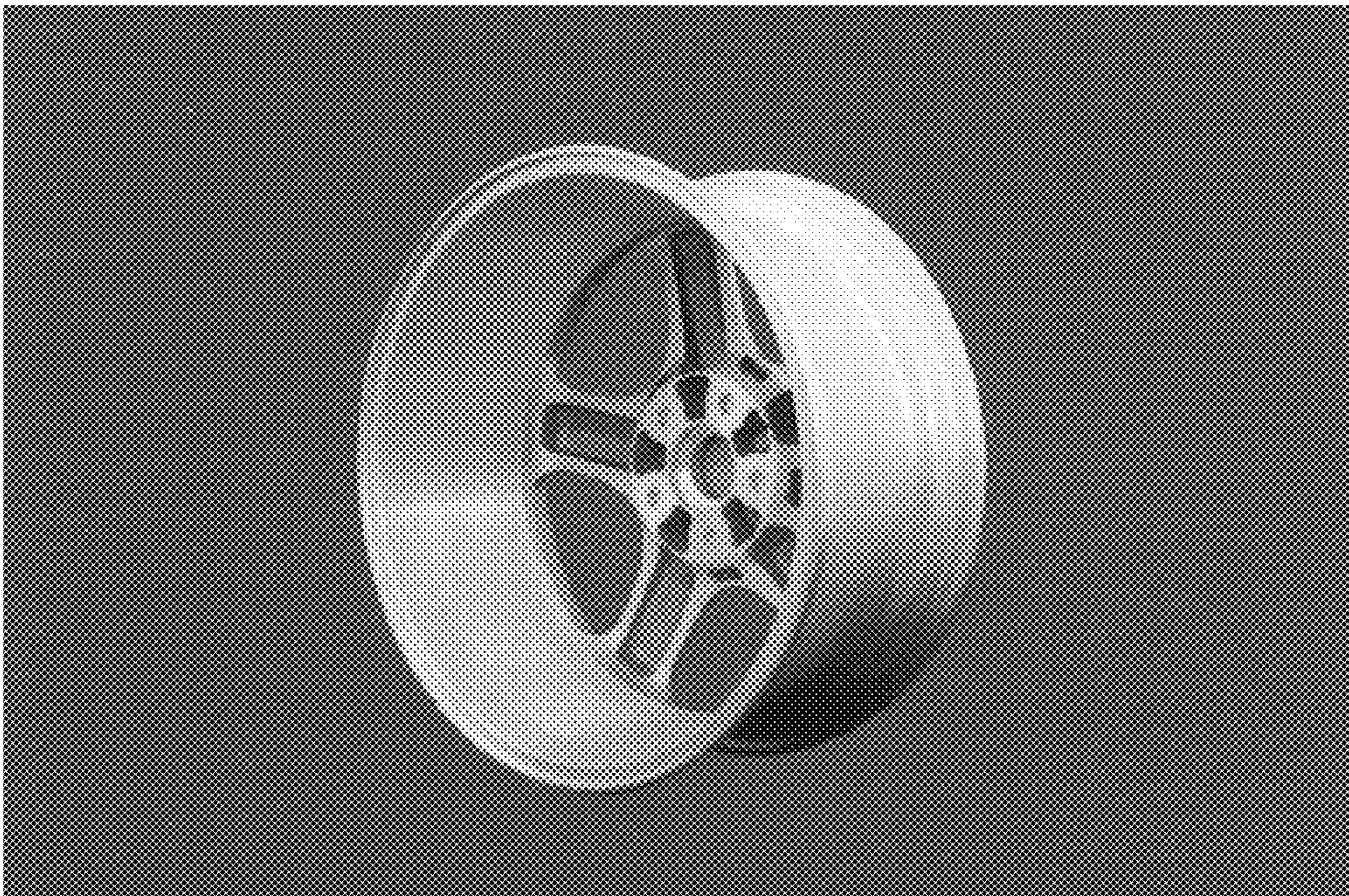


Fig. 3

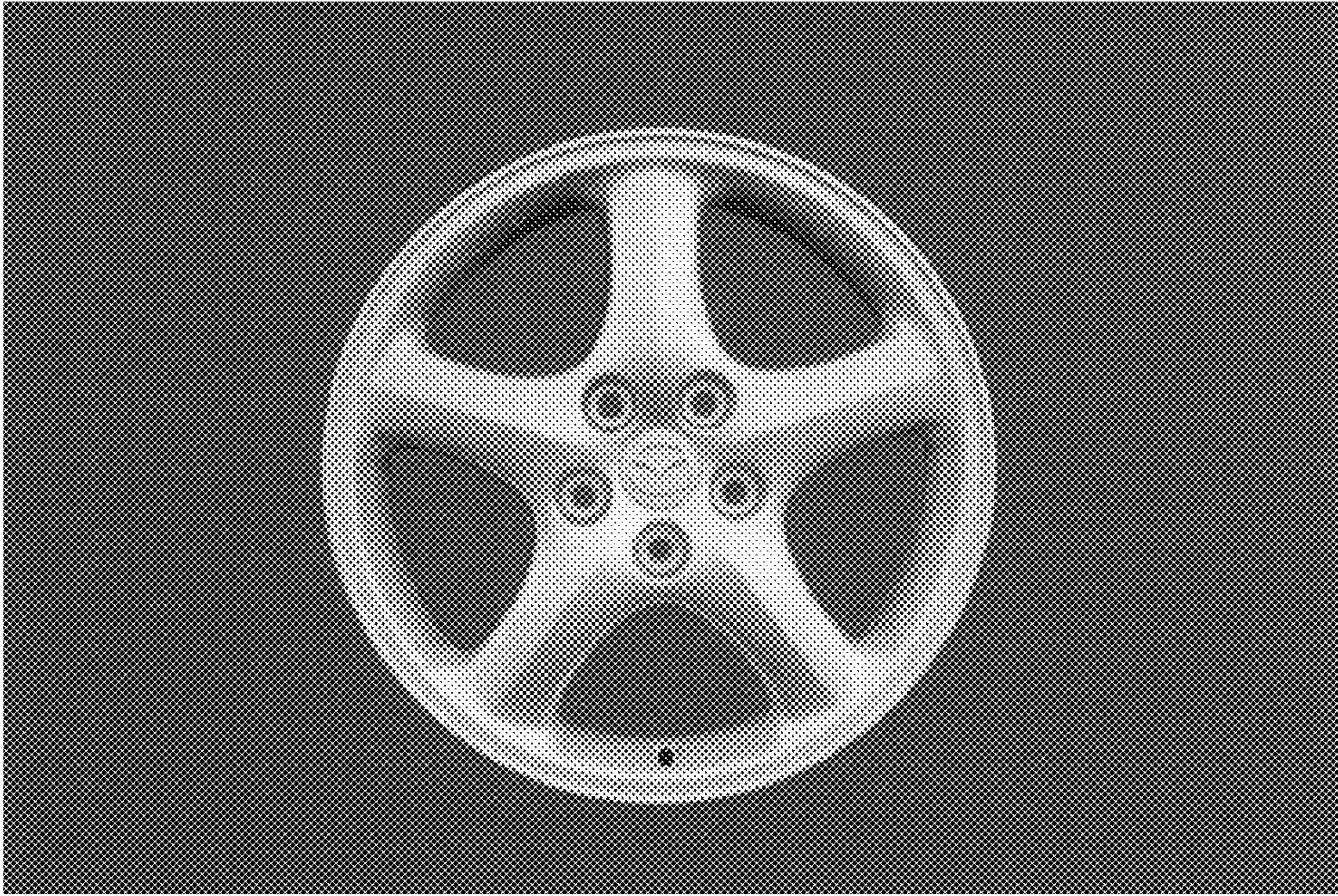


Fig. 4



Fig. 5

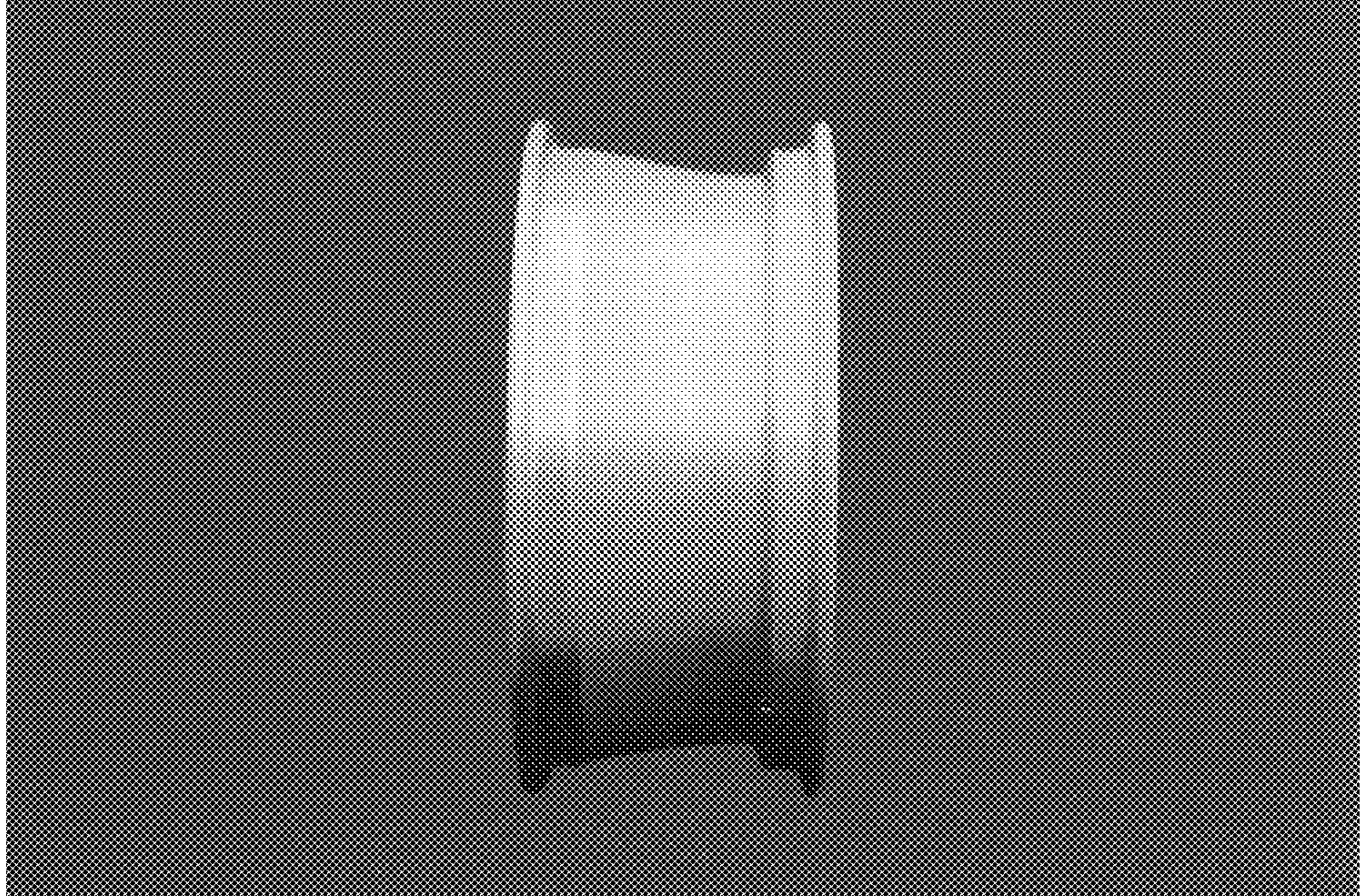


Fig. 6

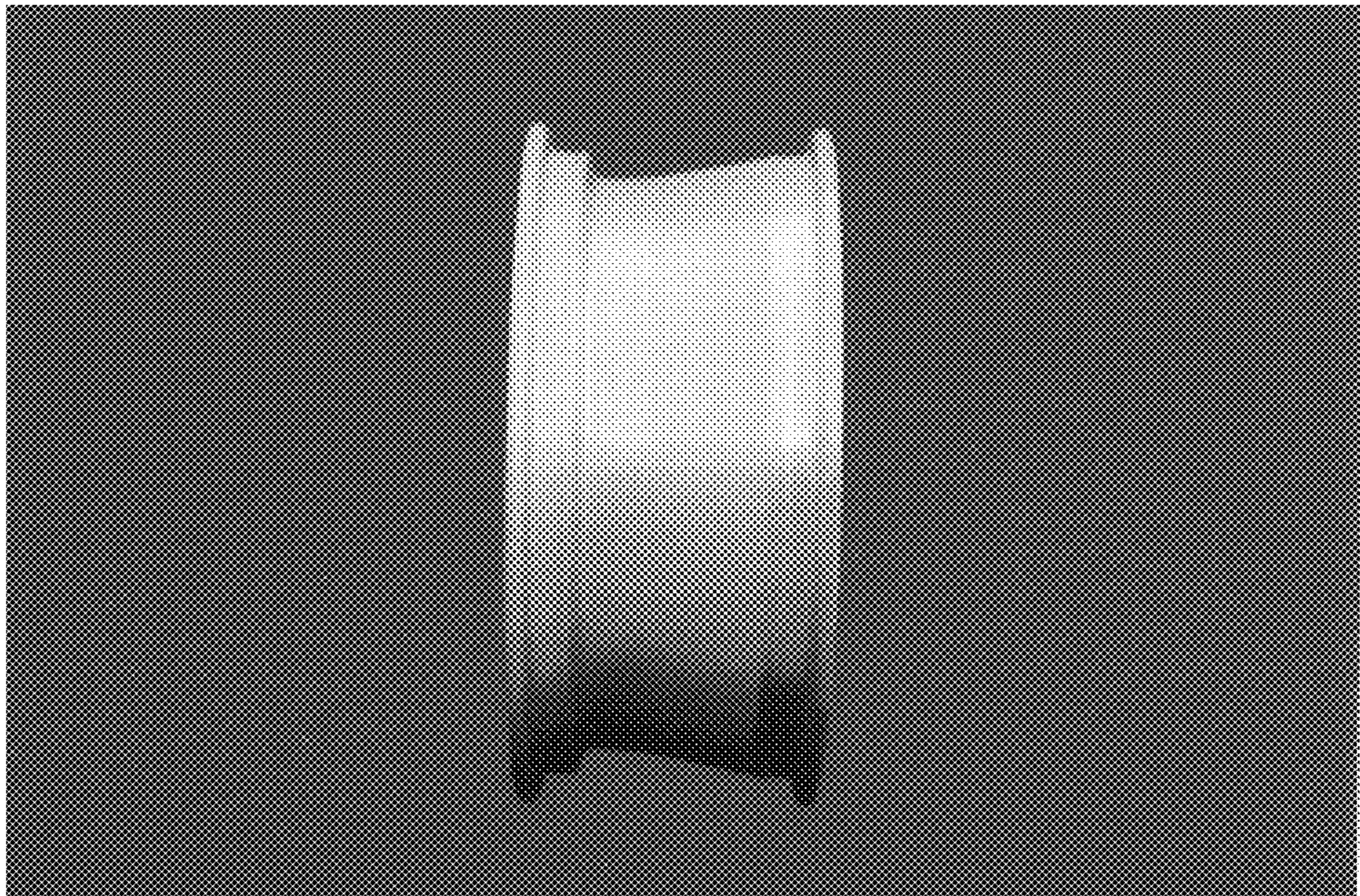


Fig. 7

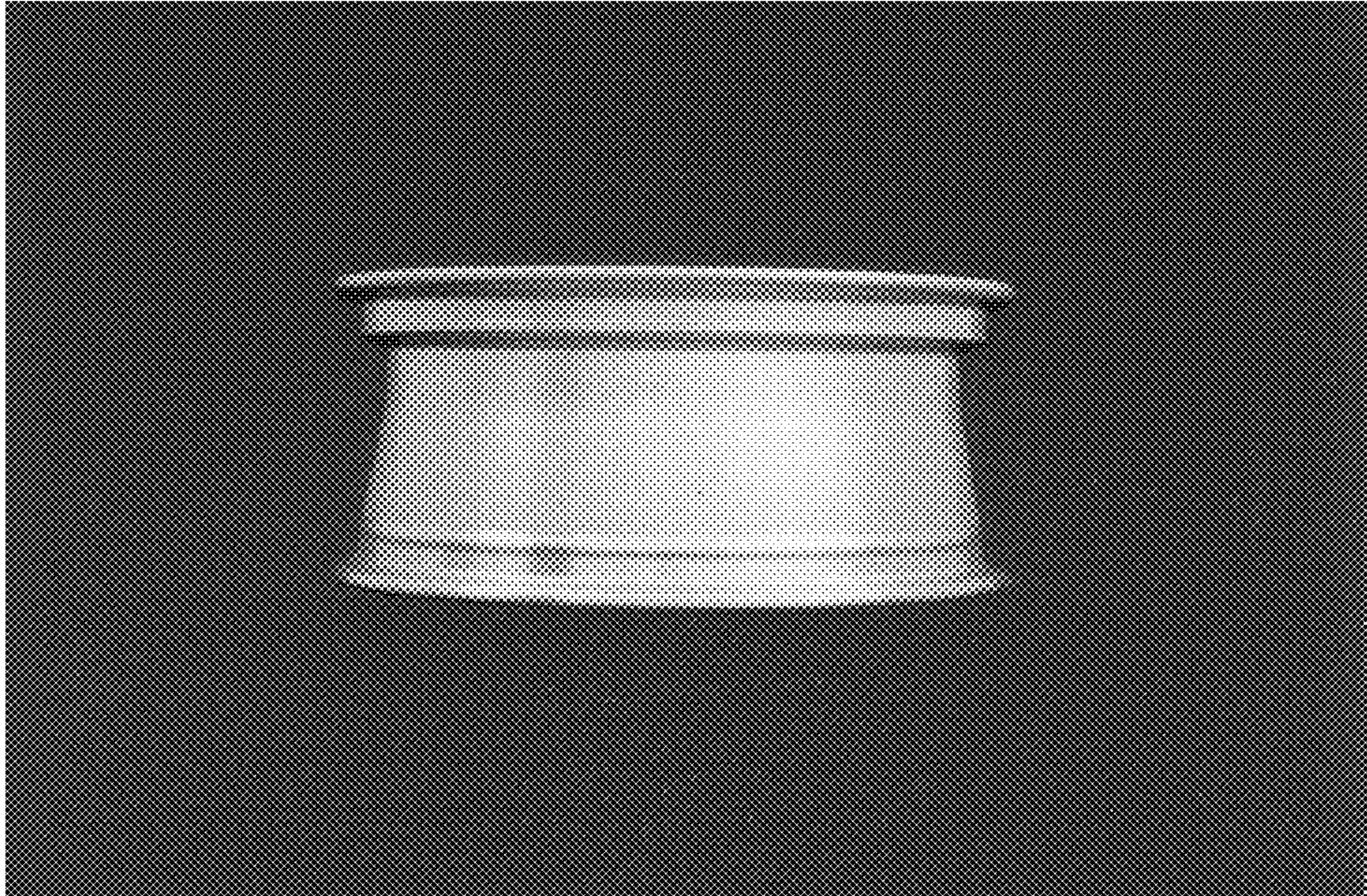


Fig. 8

