



US00D428843S

United States Patent [19] Steinhagen

[11] Patent Number: **Des. 428,843**

[45] Date of Patent: **** Aug. 1, 2000**

[54] **LICENSE PLATE FRAME**

[75] Inventor: **Thomas Steinhagen**, West Des Moines, Iowa

[73] Assignee: **Cobbs Manufacturing Co.**, Des Moines, Iowa

[**] Term: **14 Years**

[21] Appl. No.: **29/106,947**

[22] Filed: **Jun. 25, 1999**

[51] **LOC (7) Cl.** **12-16**

[52] **U.S. Cl.** **D12/193**

[58] **Field of Search** D12/193; D6/300-303, D6/310-313, 314; 40/200-203, 207-210

[56] **References Cited**

U.S. PATENT DOCUMENTS

- D. 160,496 10/1950 Harmer .
- D. 163,328 5/1951 Rothman .
- D. 245,497 8/1977 Ritch .
- D. 257,341 10/1980 Blaser .
- D. 271,011 10/1983 Bott .
- D. 274,807 7/1984 Stansbury, Jr. et al. .
- D. 279,667 7/1985 Baron .
- D. 281,490 11/1985 Lien .
- D. 285,784 9/1986 Langensiepen .
- D. 294,975 3/1988 Lester .
- D. 301,863 6/1989 Chart et al. .
- D. 305,417 1/1990 Corey .
- D. 310,347 9/1990 Spencer .
- D. 313,787 1/1991 Williams .
- D. 318,645 7/1991 Farber .
- D. 326,079 5/1992 Schmitz et al. .
- D. 327,047 6/1992 Corey .
- D. 330,004 10/1992 Spencer .
- D. 331,217 11/1992 Spencer .
- D. 331,903 12/1992 Lan .
- D. 332,247 1/1993 Wilson .
- D. 333,119 2/1993 Russell .
- D. 335,117 4/1993 Spencer .
- D. 335,858 5/1993 Traeger .
- D. 342,929 1/1994 Spencer .
- D. 345,541 3/1994 Schmitz .
- D. 346,578 5/1994 Corey .
- D. 347,416 5/1994 Hu .

- D. 348,037 6/1994 Hu .
- D. 348,038 6/1994 Hu .
- D. 348,643 7/1994 Nagata .
- D. 348,865 7/1994 Nagata .
- D. 349,480 8/1994 Leu .
- D. 352,022 11/1994 Liu .
- D. 358,359 5/1995 Shusterman .
- D. 359,261 6/1995 Shusterman .

(List continued on next page.)

OTHER PUBLICATIONS

Cobbs Lifestyle Accessories, Marketing Brochure, Cobbs Manufacturing Company, 1994, p. 18 describing various license plate frames.

Cobbs Lifestyle Accessories, Marketing Brochure, Cobbs Manufacturing Company, 1995 p. 4 and 13 describing various license plate frames.

Cobbs Lifestyle Accessories, Marketing Brochure, Cobbs Manufacturing Company, 1996 p. 18 describing various license plate frames.

Cobbs Lifestyle Accessories, Marketing Brochure, Cobbs Manufacturing Company, 1997 p. 3 and 19 describing various license plate frames.

(List continued on next page.)

Primary Examiner—Jeffrey Asch
Assistant Examiner—Stacia Sinuik
Attorney, Agent, or Firm—Dick & Harris

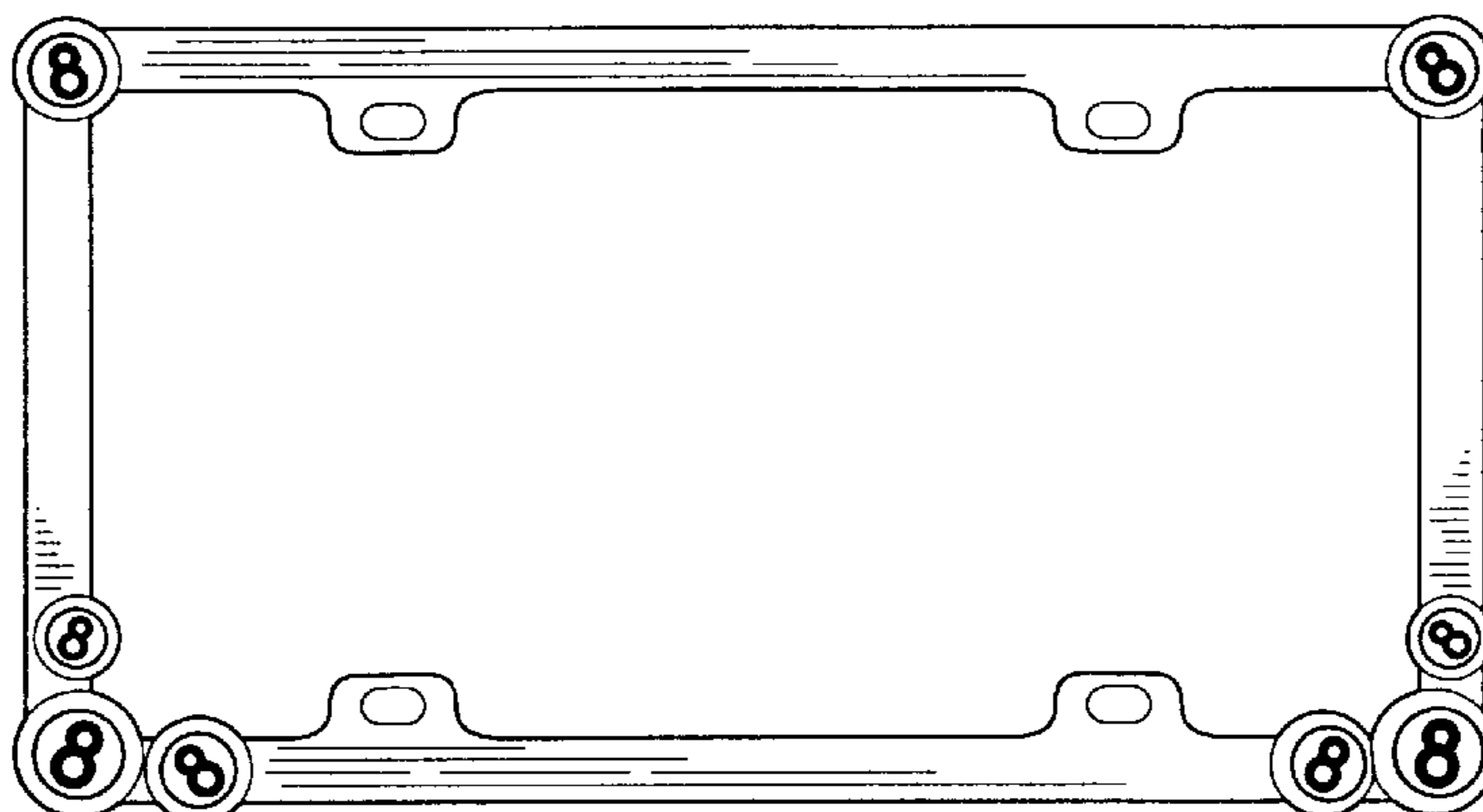
[57] **CLAIM**

The ornamental design for a license plate frame, as shown and described.

DESCRIPTION

FIG. 1 is a front elevational view of the license plate frame showing a new ornamental design therefor;
FIG. 2 is a top plan view thereof;
FIG. 3 is a left side elevational view thereof;
FIG. 4 is a right side elevational view thereof;
FIG. 5 is a bottom plan view thereof;
FIG. 6 is a rear elevational view thereof; and,
FIG. 7 is a perspective view thereof.

1 Claim, 2 Drawing Sheets



U.S. PATENT DOCUMENTS

D. 359,262 6/1995 Shusterman .
D. 361,971 9/1995 Wang .
D. 365,077 12/1995 Lee .
D. 366,236 1/1996 Chu D12/193
D. 366,441 1/1996 Wu .
D. 367,459 2/1996 Spencer .
D. 368,692 4/1996 Pribble, Sr. et al. .
D. 368,693 4/1996 Spencer .
D. 370,450 6/1996 Doan .
D. 376,342 12/1996 Spencer .
D. 377,639 1/1997 Kheyfets .
D. 377,776 2/1997 Kheyfets .
D. 377,926 2/1997 Kheyfets .
D. 378,998 4/1997 Lake .
D. 379,450 5/1997 Clark et al. .
D. 380,429 7/1997 Clark et al. .

D. 381,003 7/1997 Chiou .
D. 382,240 8/1997 Francis .
D. 383,720 9/1997 Spencer .
D. 384,627 10/1997 Clark et al. .
D. 384,628 10/1997 Lake .
D. 385,244 10/1997 Spencer .
D. 399,466 10/1998 Thomas D12/193
D. 412,147 7/1999 Steinhagen D12/193
4,011,675 3/1977 Herring .

OTHER PUBLICATIONS

Cobbs Lifestyle Accessories, Marketing Brochure, Cobbs Manufacturing Company, 1998 pp. 2-9 describing various license plate frames.
Cobbs Performance Accessories, Tricked Out!, Marketing Brochure, Cobbs Manufacturing Company, 1998 p. 8 describing various license frames.

Fig 1

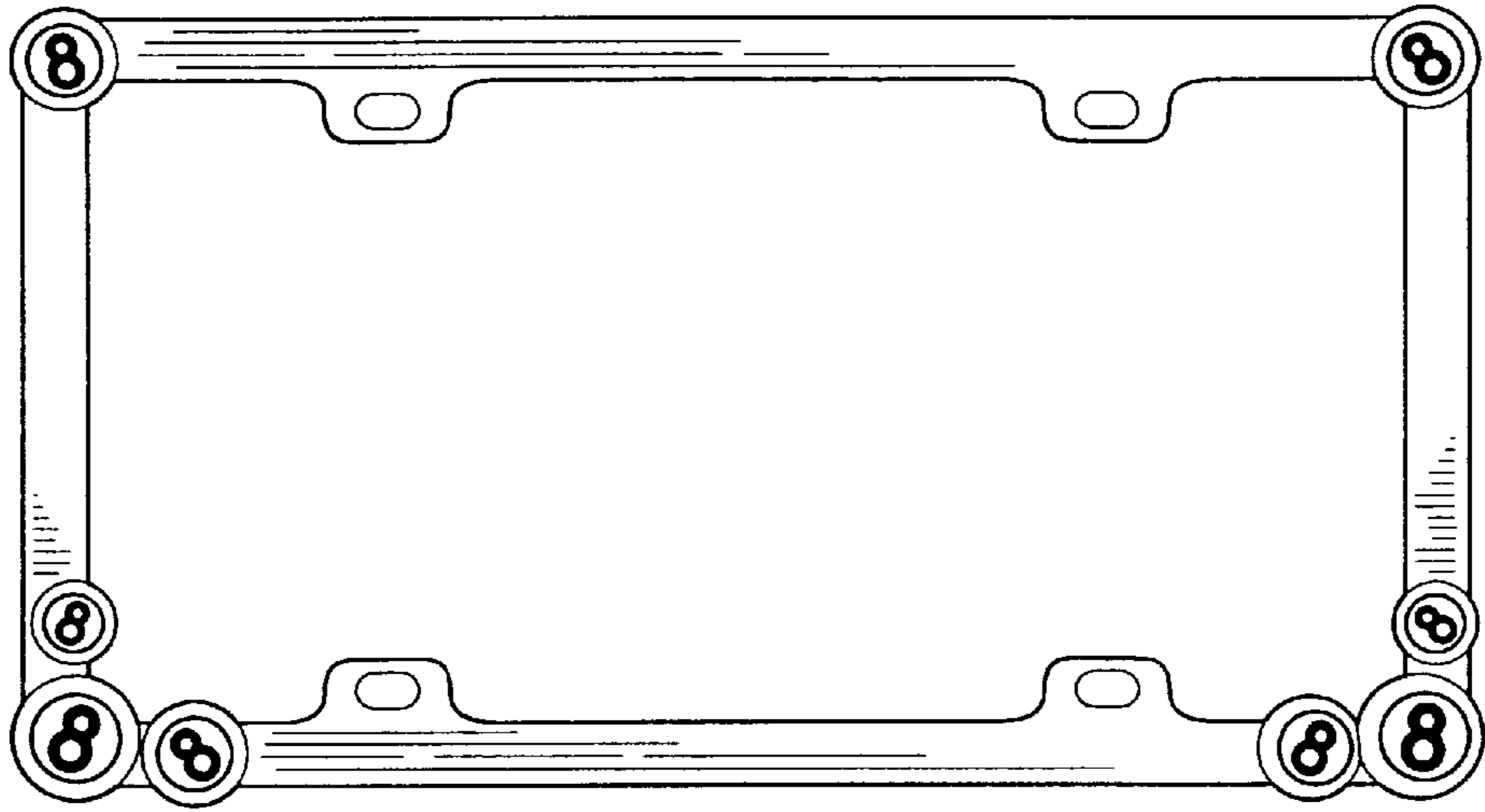


Fig 2

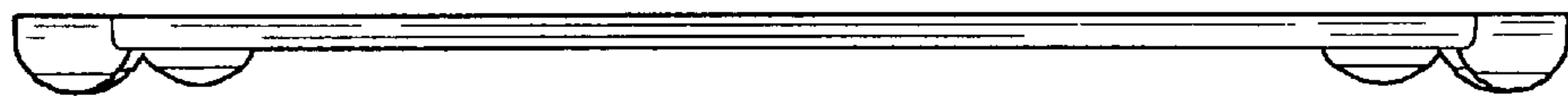


Fig 3



Fig 4



Fig 5

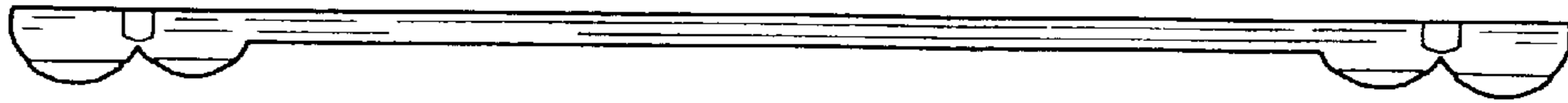


Fig 6

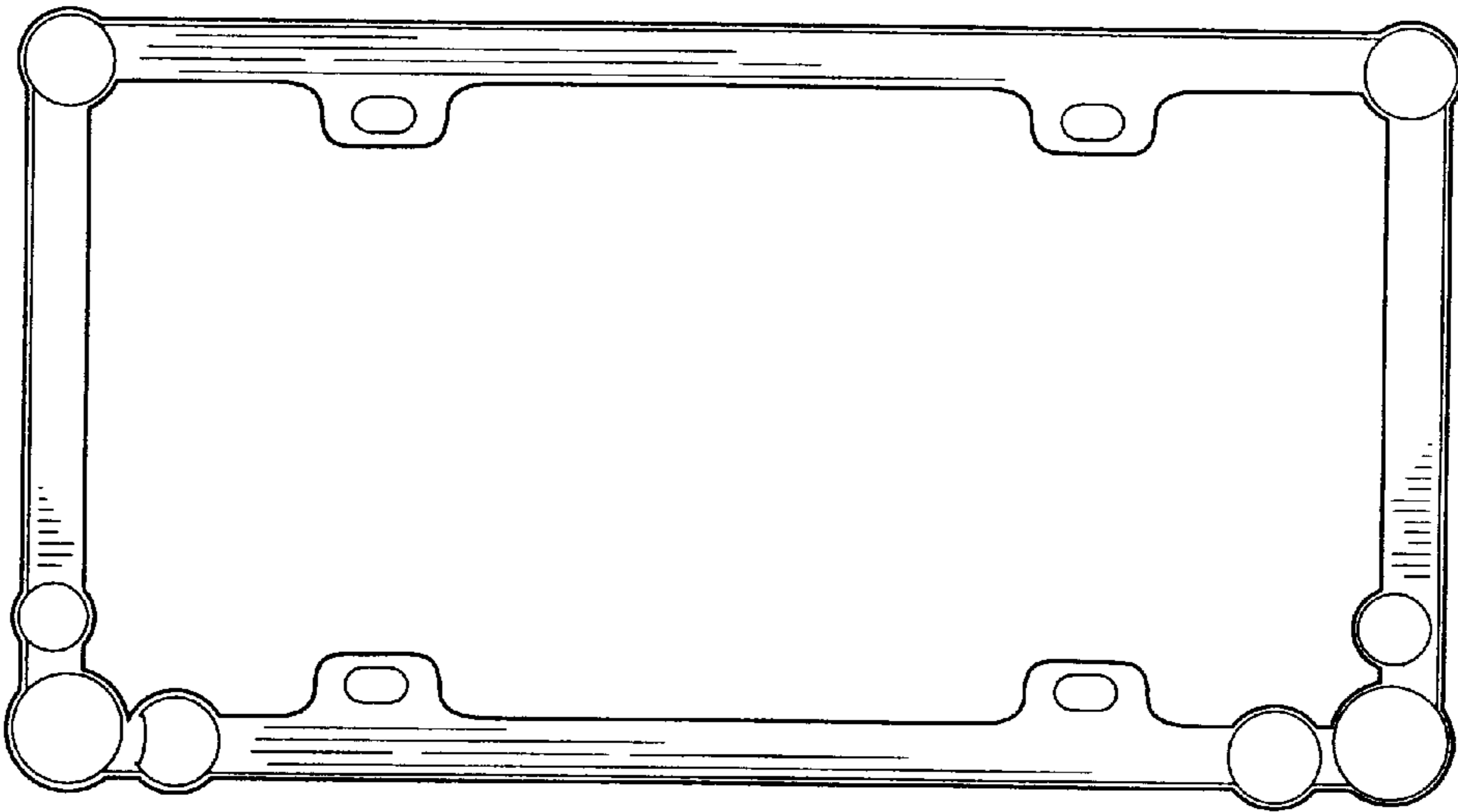


Fig 7

