



US00D428841S

United States Patent [19]

Hussaini et al.

[11] Patent Number: Des. 428,841

[45] Date of Patent: ** Aug. 1, 2000

[54] MIRROR

[75] Inventors: Saied Hussaini; Marc Lacovelli, both of Miami, Fla.

[73] Assignee: Rally Manufacturing, Miami, Fla.

[**] Term: 14 Years

[21] Appl. No.: 29/110,305

[22] Filed: Sep. 3, 1999

[51] LOC (7) Cl. 12-16

[52] U.S. Cl. D12/187

[58] Field of Search D12/187-189; 359/838, 843, 844, 850, 868, 871, 872, 874, 876, 877, 881, 841, 865, 864; 248/475.1, 480, 481, 479, 487, 494, 483

[56] References Cited

U.S. PATENT DOCUMENTS

D. 193,474	8/1962	Snell	D12/187
D. 335,857	5/1993	McColgan	D12/187
4,345,819	8/1982	Villa-Real	359/865
4,917,485	4/1990	Baldwin, Sr.	359/864

Primary Examiner—Ralf Seifert
Attorney, Agent, or Firm—Liniak, Berenato Longacre & White

[57] CLAIM

The ornamental design for a mirror, as shown and described.

DESCRIPTION

FIG. 1 is a front view of the mirror according to the present invention.

FIG. 2 is a rear view of the mirror of FIG. 1 according to the present invention.

FIG. 3 is a left side view of the mirror of FIG. 1 according to the present invention.

FIG. 4 is a right side view of the mirror of FIG. 1 according to the present invention.

FIG. 5 is a top view of the mirror of FIG. 1 according to the present invention.

FIG. 6 is a bottom view of the mirror of FIG. 1 according to the present invention; and,

FIG. 7 is a front elevational perspective view of the mirror of FIG. 1 according to the present invention.

It being understood that the broken lines are for illustrative purposes only.

1 Claim, 4 Drawing Sheets

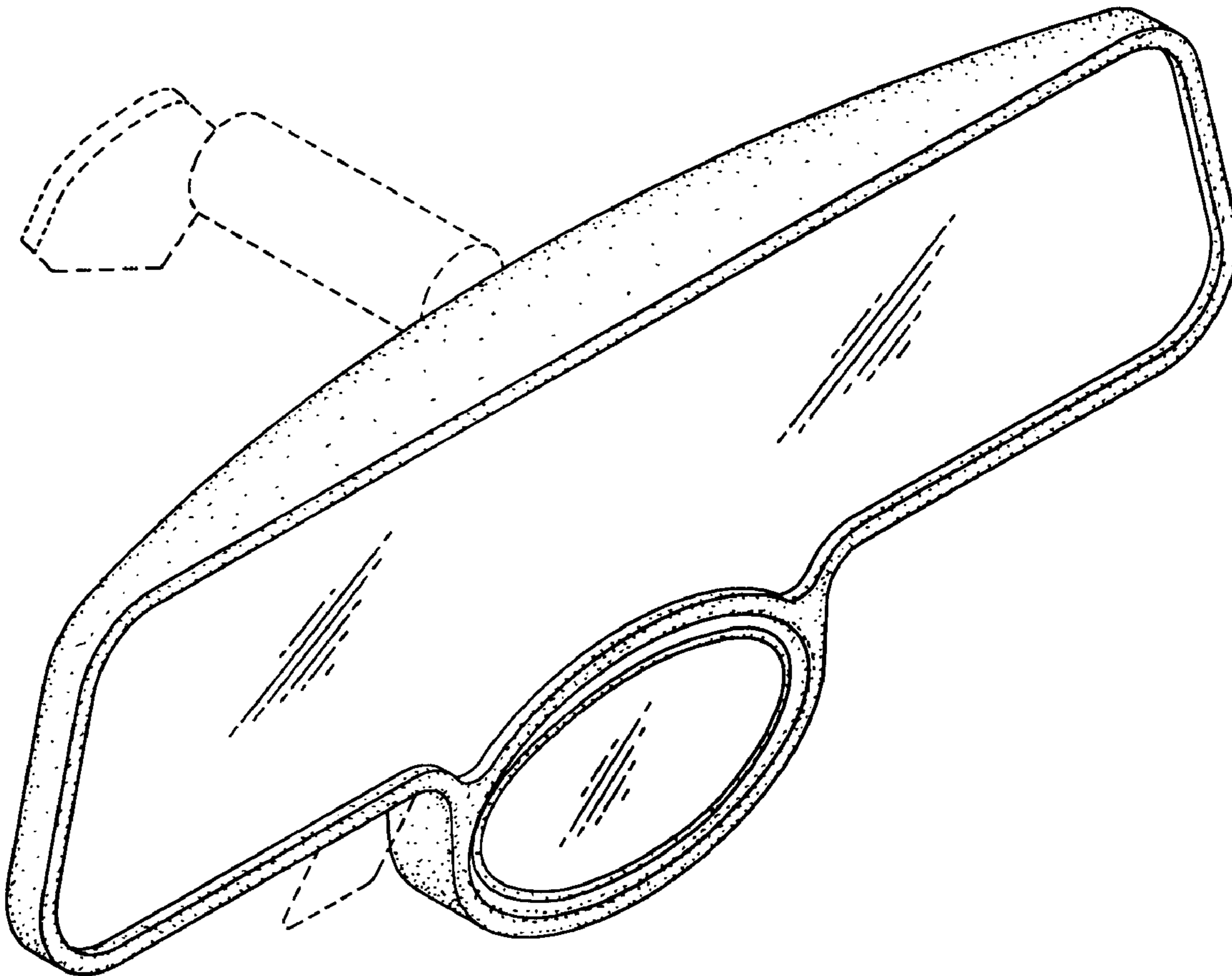


Fig. 1

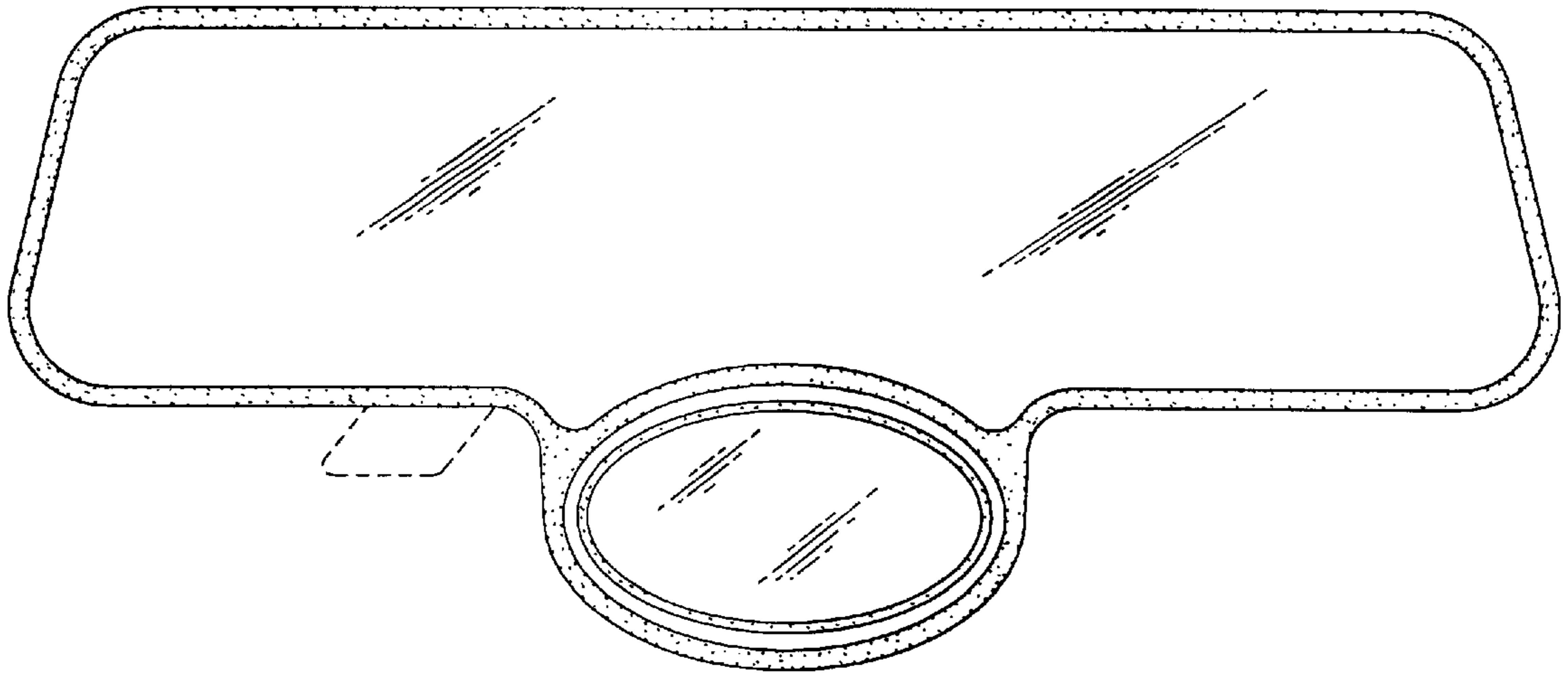


Fig. 2

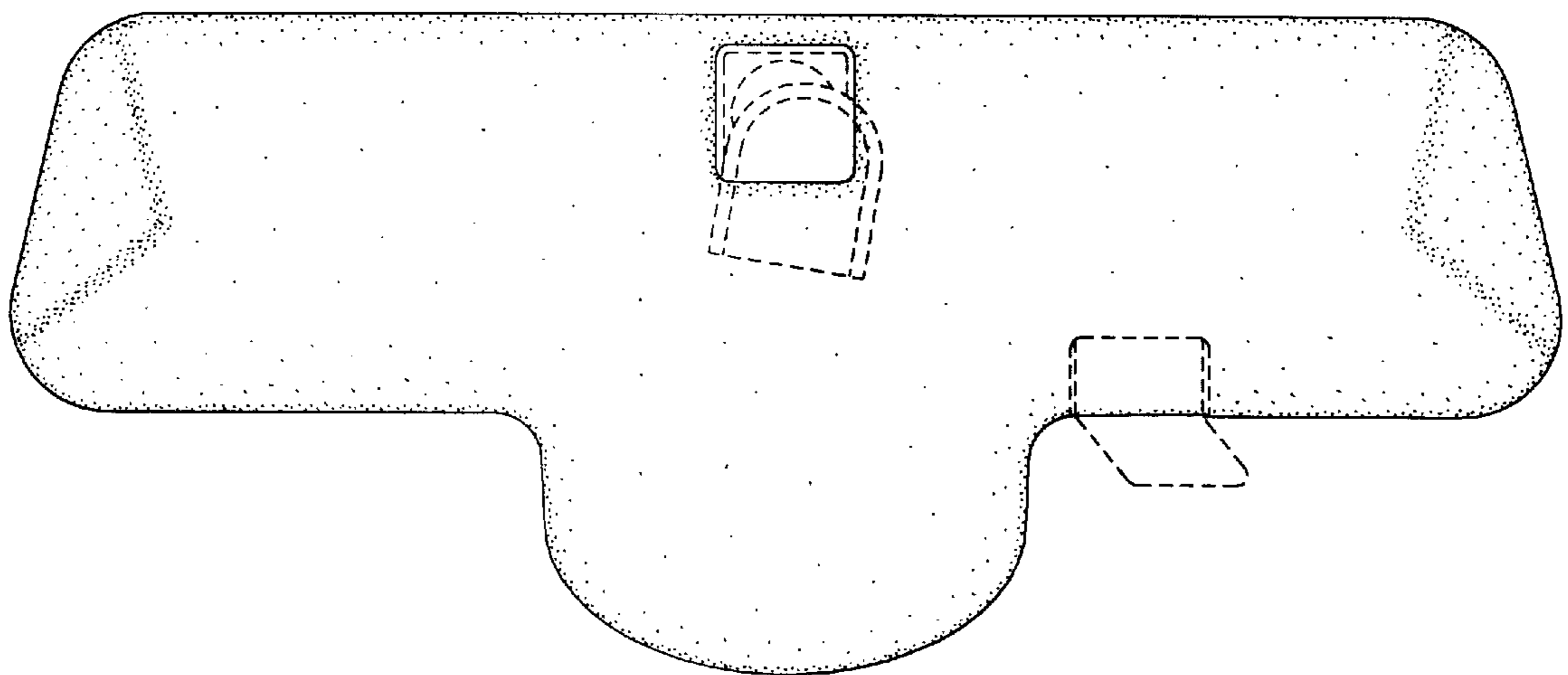


Fig. 3

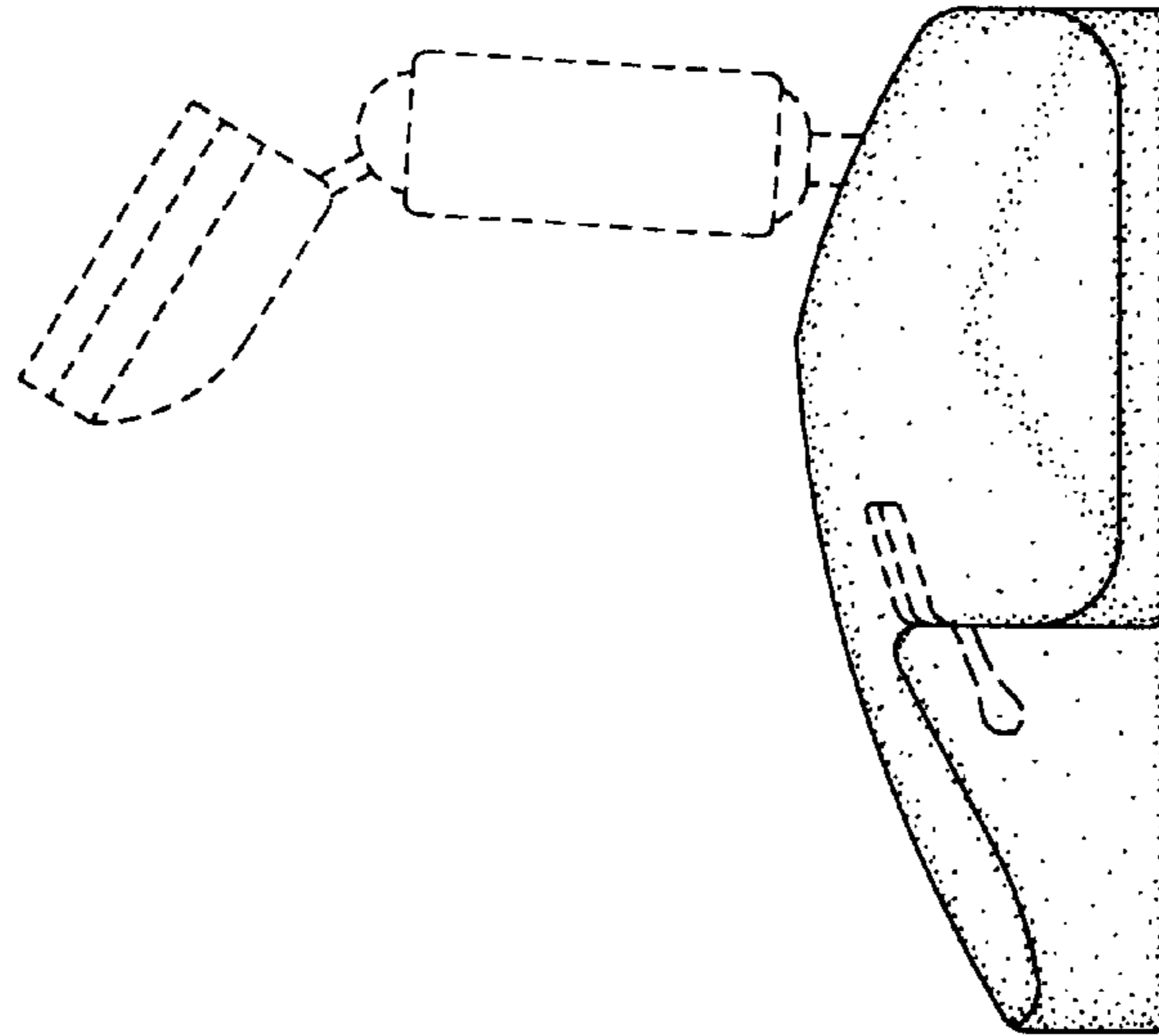


Fig. 4

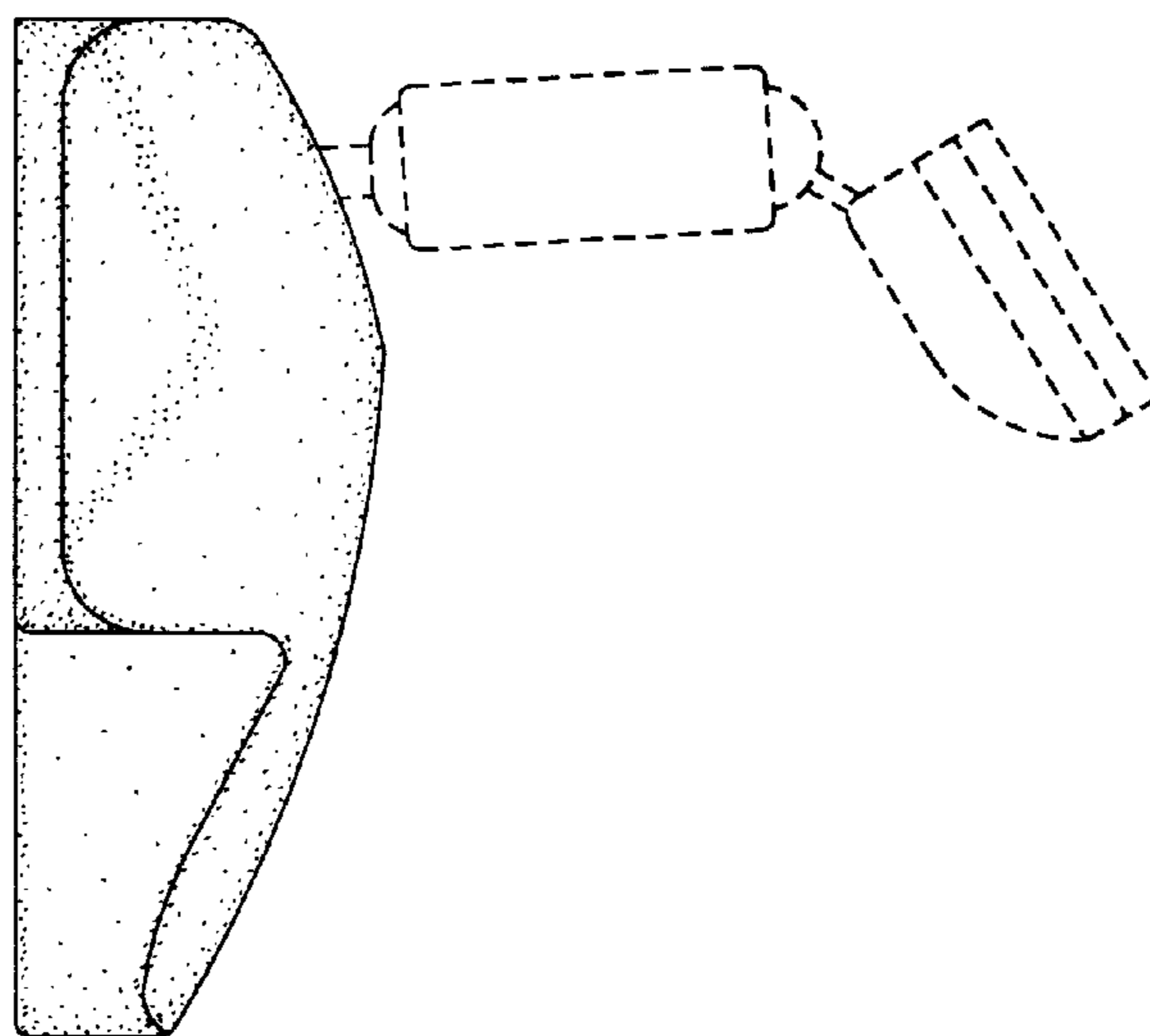


Fig. 5

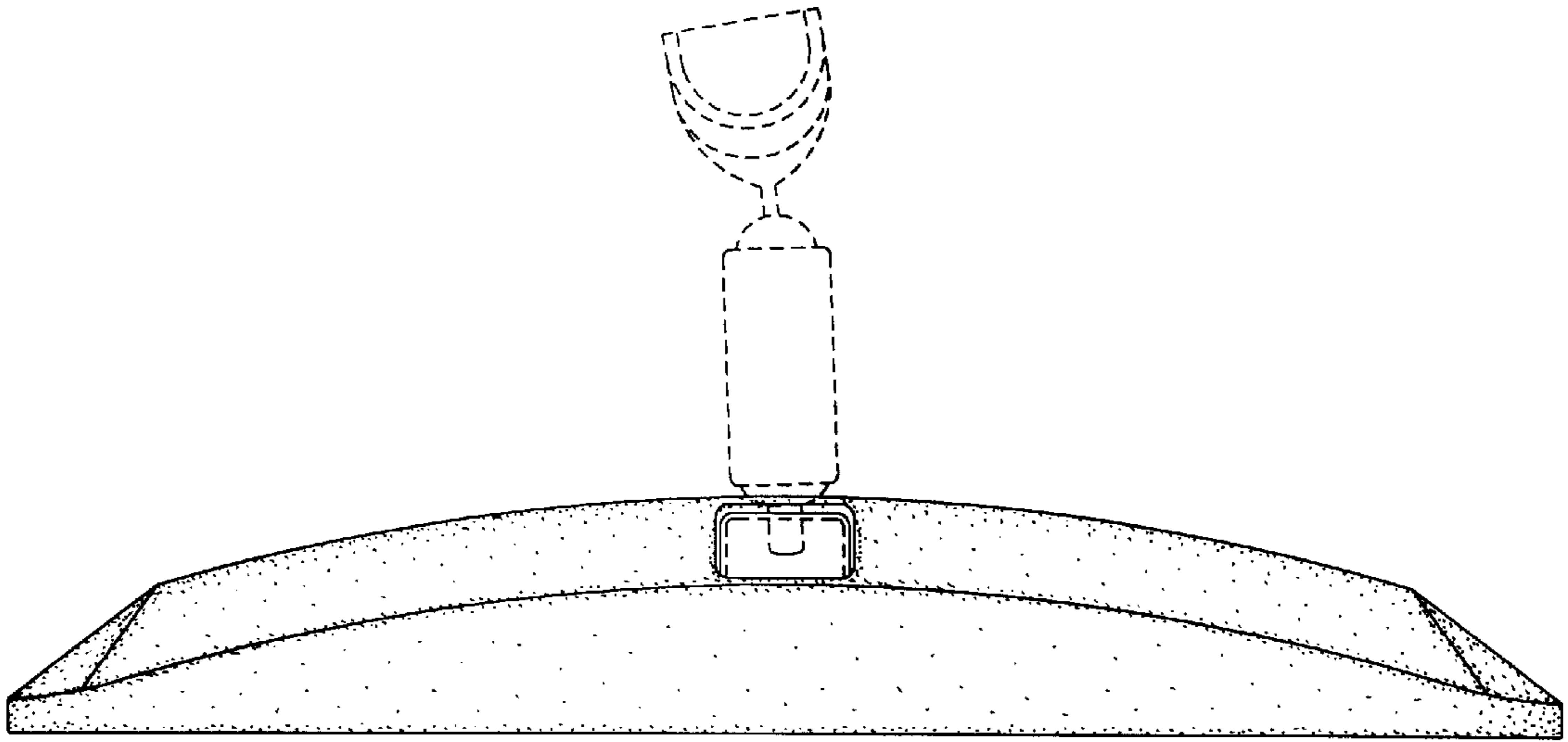


Fig. 6

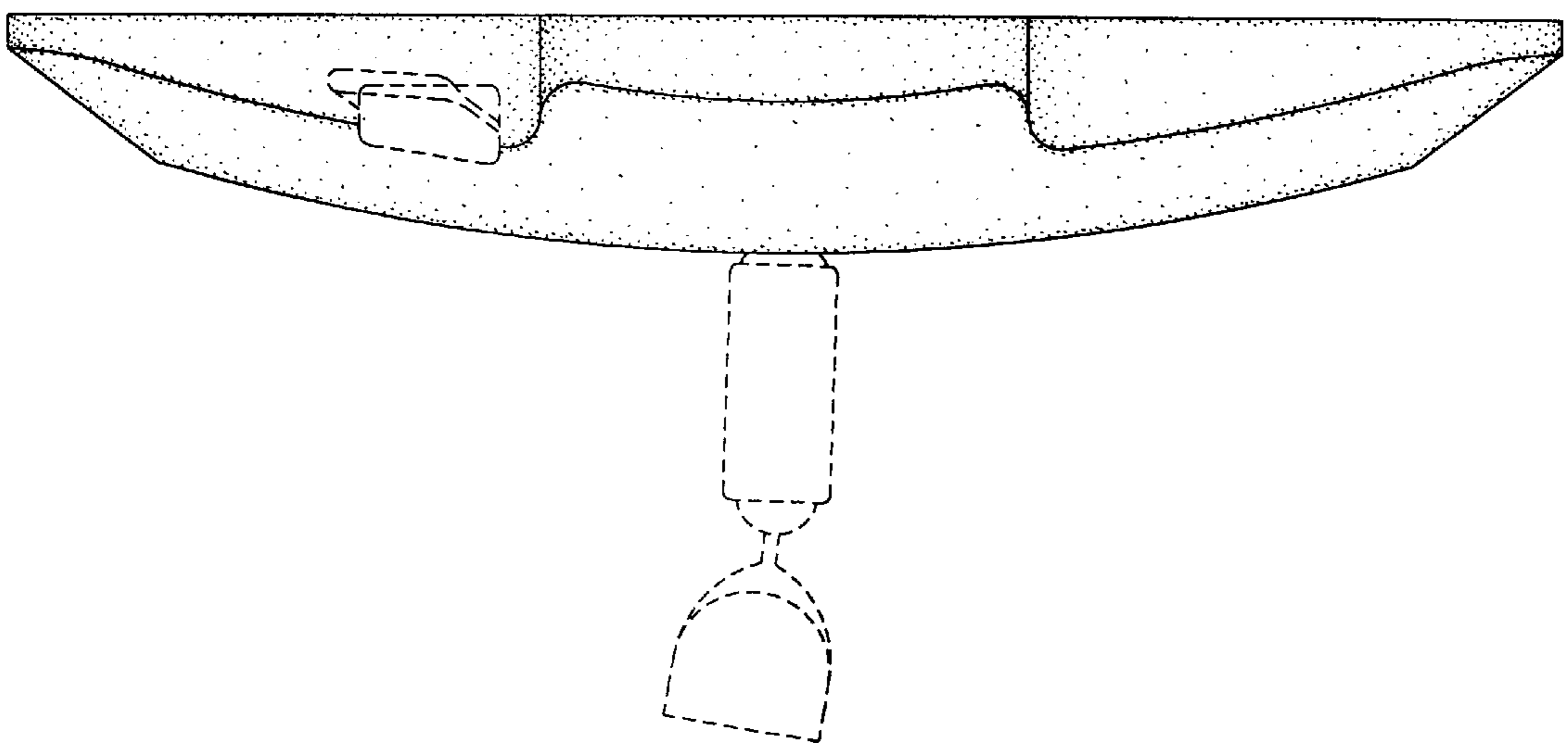


Fig. 7

