



US00D428839S

United States Patent [19]
Horowitz

[11] **Patent Number: Des. 428,839**

[45] **Date of Patent: ** Aug. 1, 2000**

[54] **TRAILER HITCH PLUG**

[76] Inventor: **Brian A. Horowitz**, 1646 Dunkirk La.,
Riverside, Calif. 19506

[**] Term: **14 Years**

[21] Appl. No.: **29/113,059**

[22] Filed: **Oct. 29, 1999**

[51] **LOC (7) Cl.** **12-16**

[52] **U.S. Cl.** **D12/162**

[58] **Field of Search** D12/162, 400,
D12/197; D9/307, 441, 451; 211/14; 280/477,
490.1, 507, 511; D29/106, 102

[56] **References Cited**

U.S. PATENT DOCUMENTS

| | | | | |
|------------|---------|----------|-------|---------|
| D. 317,890 | 7/1991 | Bachmann | | D12/162 |
| D. 344,257 | 2/1994 | Eppard | | D12/162 |
| D. 359,018 | 6/1995 | Thigpen | | D12/162 |
| D. 392,926 | 3/1998 | Adelaar | | D12/162 |
| D. 401,193 | 11/1998 | Julian | | D12/162 |

| | | | | |
|------------|---------|------------|-------|---------|
| D. 402,601 | 12/1998 | Julian | | D12/162 |
| D. 404,349 | 1/1999 | Julian | | D12/162 |
| D. 413,291 | 8/1999 | Corns, Jr. | | D12/162 |

Primary Examiner—Stacia Cadmus
Attorney, Agent, or Firm—Levin & Hawes

[57] **CLAIM**

The ornamental design for a trailer hitch plug, as shown and described.

DESCRIPTION

FIG. 1 is a perspective view of the trailer hitch plug of the present design;
FIG. 2 is a rear perspective view of the plug of FIG. 1;
FIG. 3 is a top plan view of the plug of FIG. 1;
FIG. 4 is a side elevational view of the plug of FIG. 1;
FIG. 5 is a front elevational view of the plug of FIG. 1;
FIG. 6 is a bottom plan view of the plug of FIG. 1;
FIG. 7 is a side elevational view of the plug of FIG. 1 from the opposite direction as shown in FIG. 4; and,
FIG. 8 is a rear elevational view of the plug of FIG. 1.

1 Claim, 2 Drawing Sheets

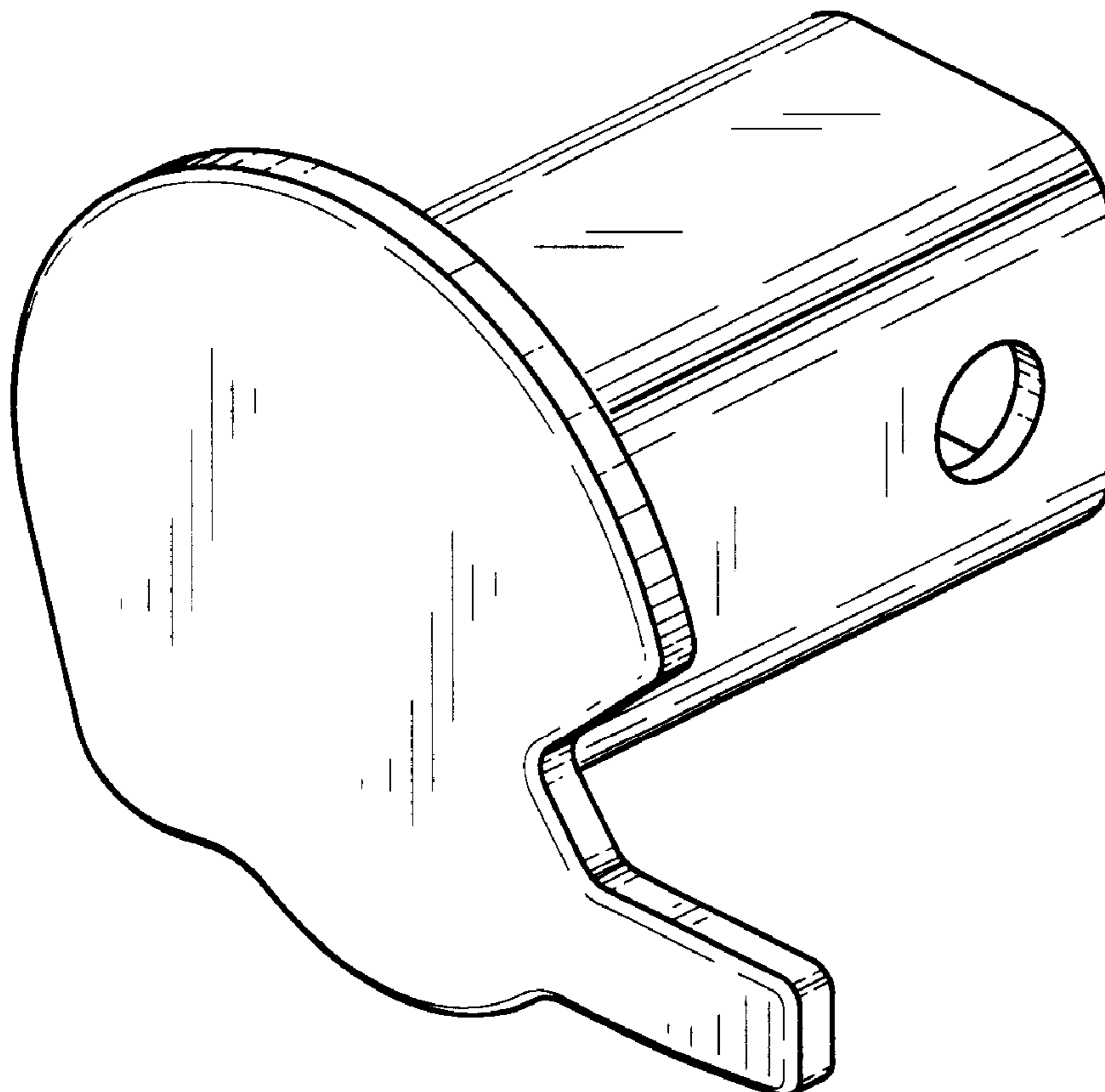


Fig. 1

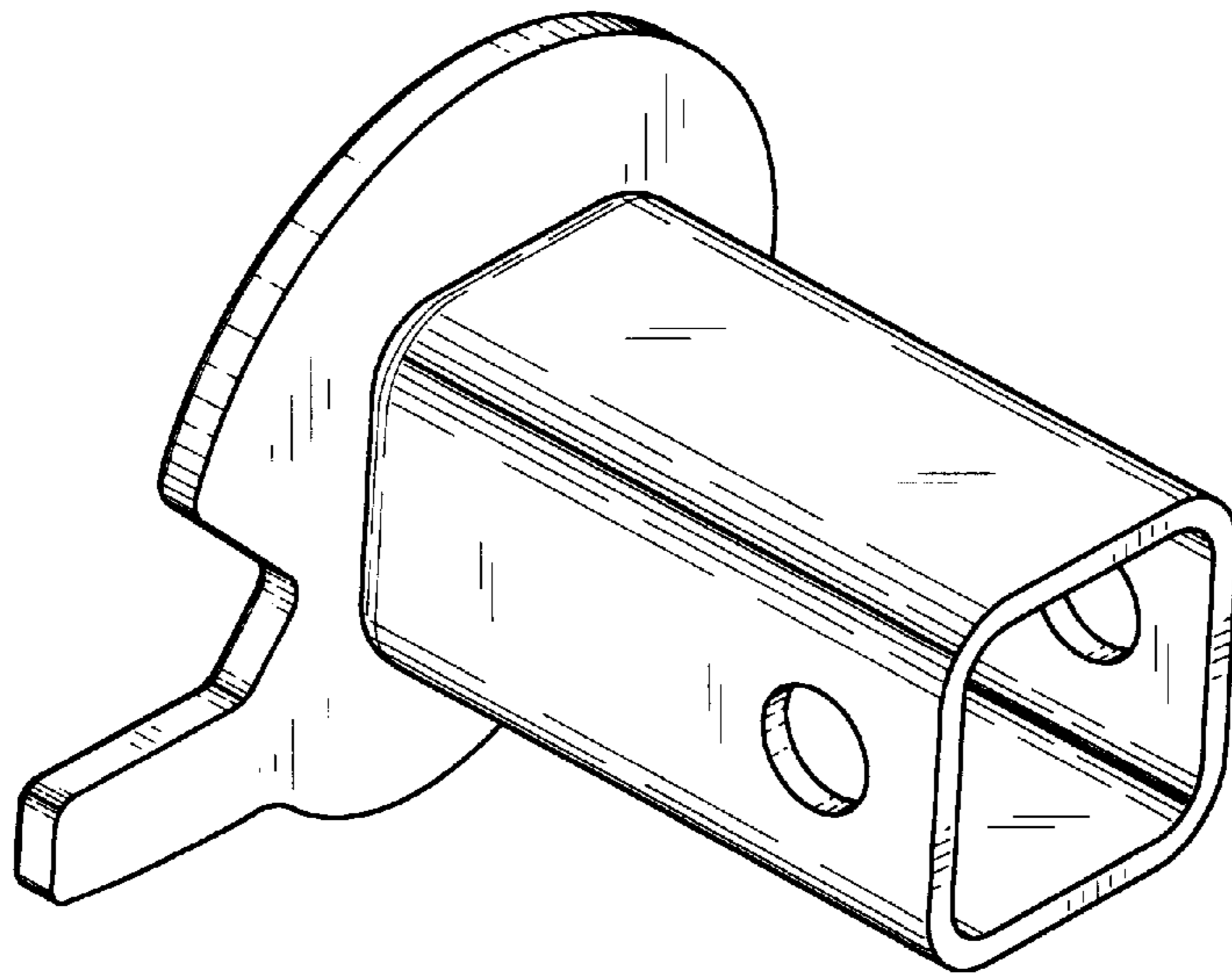
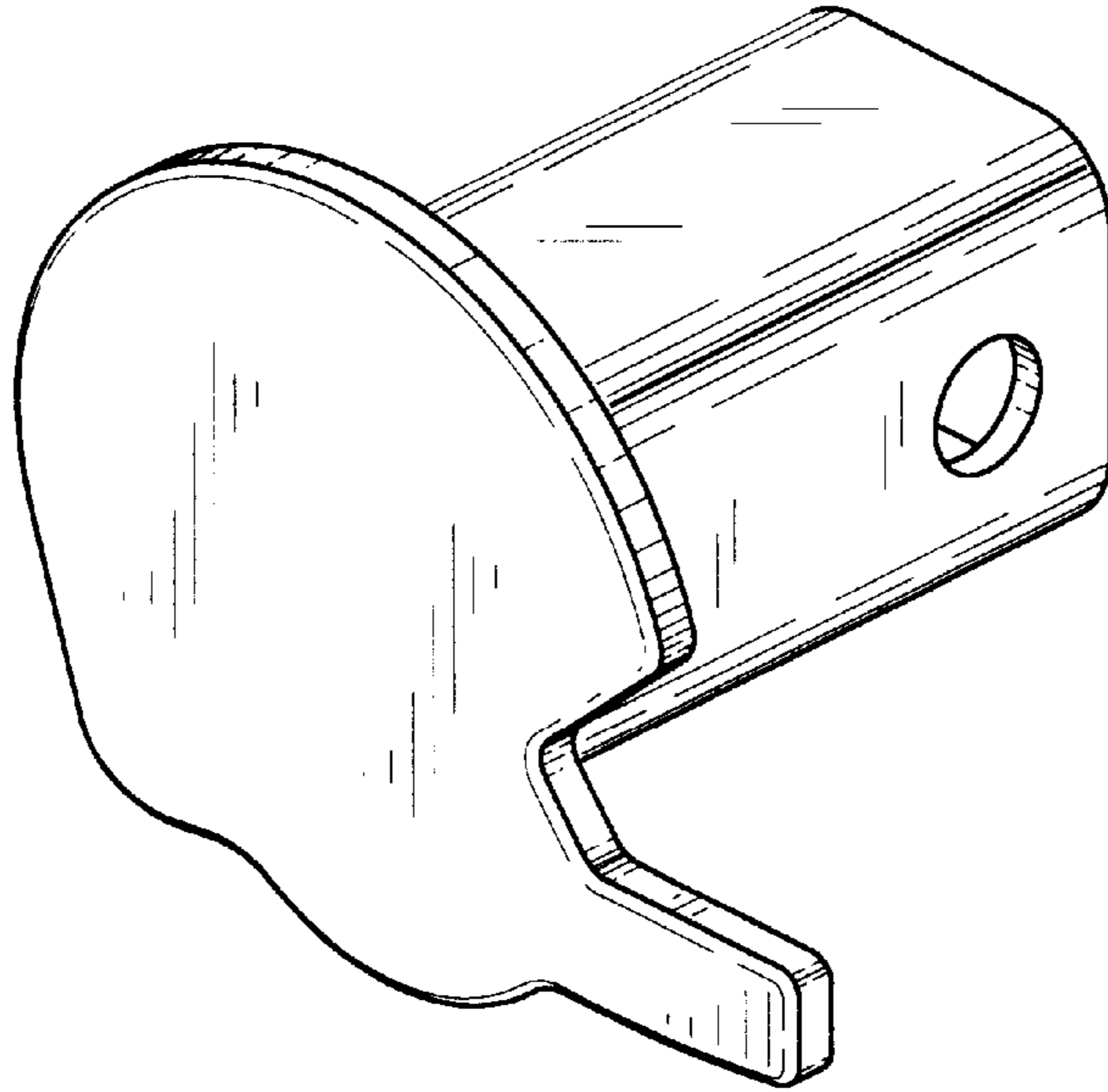


Fig. 2

Fig. 3

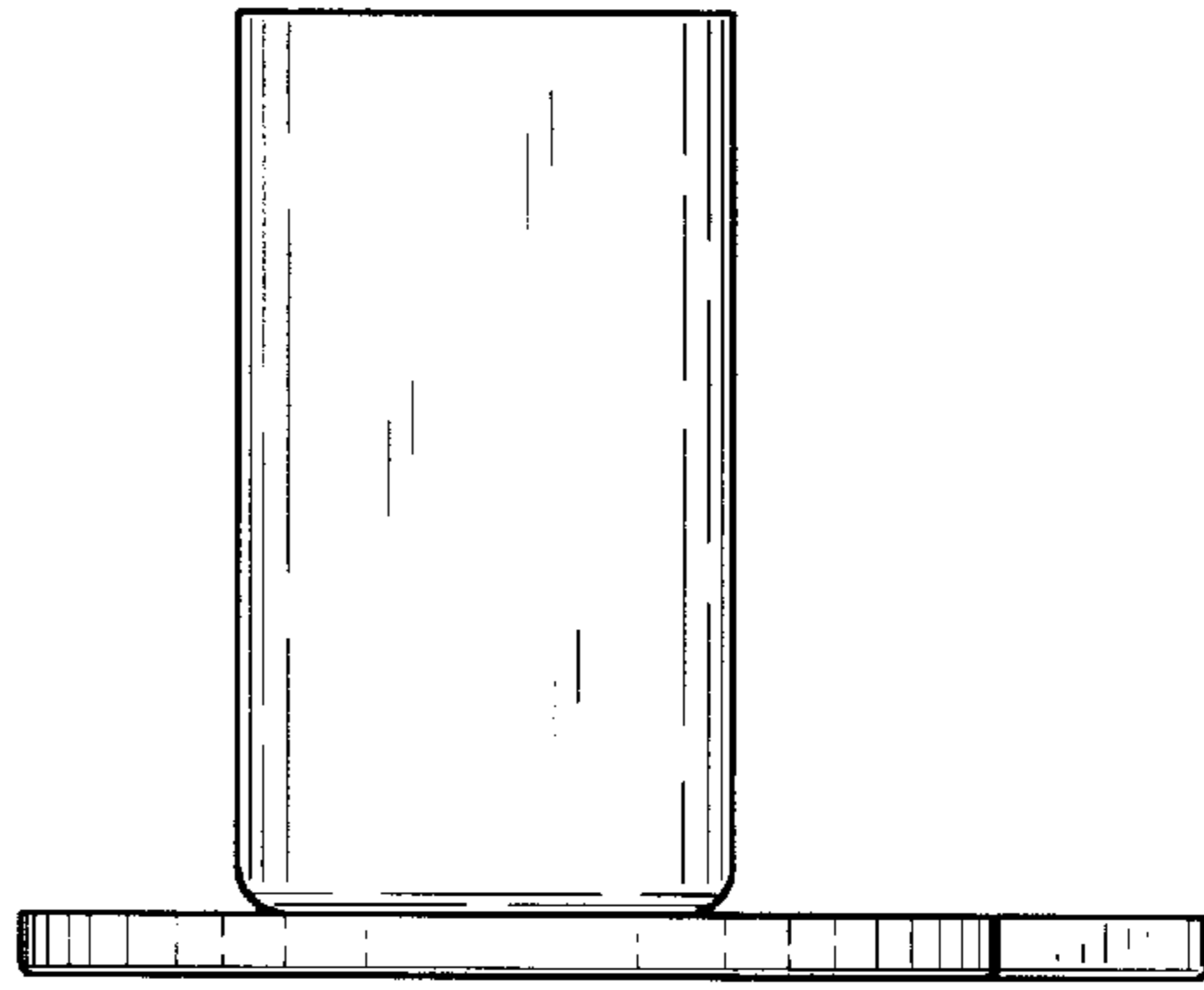


Fig. 4

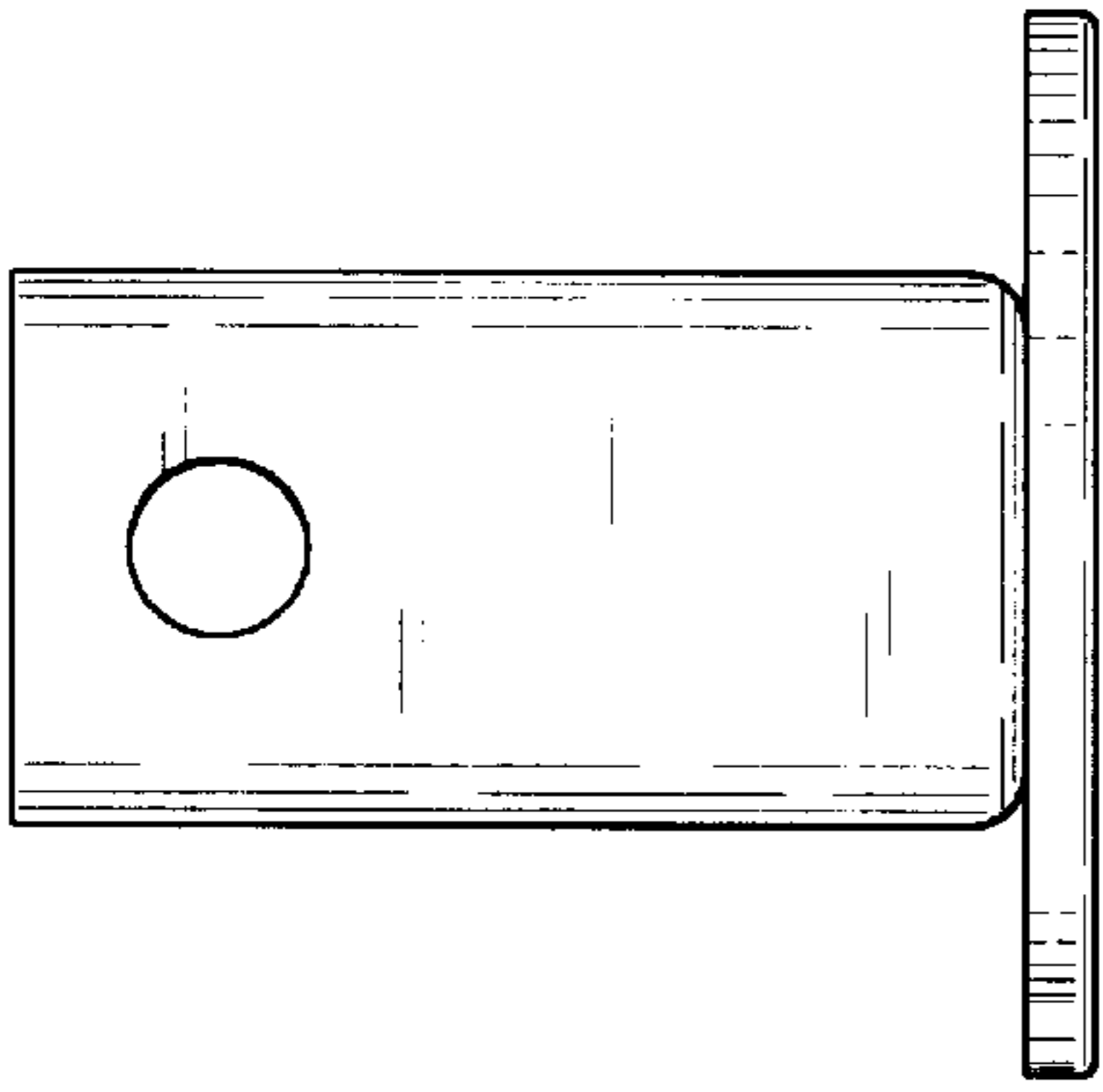


Fig. 5

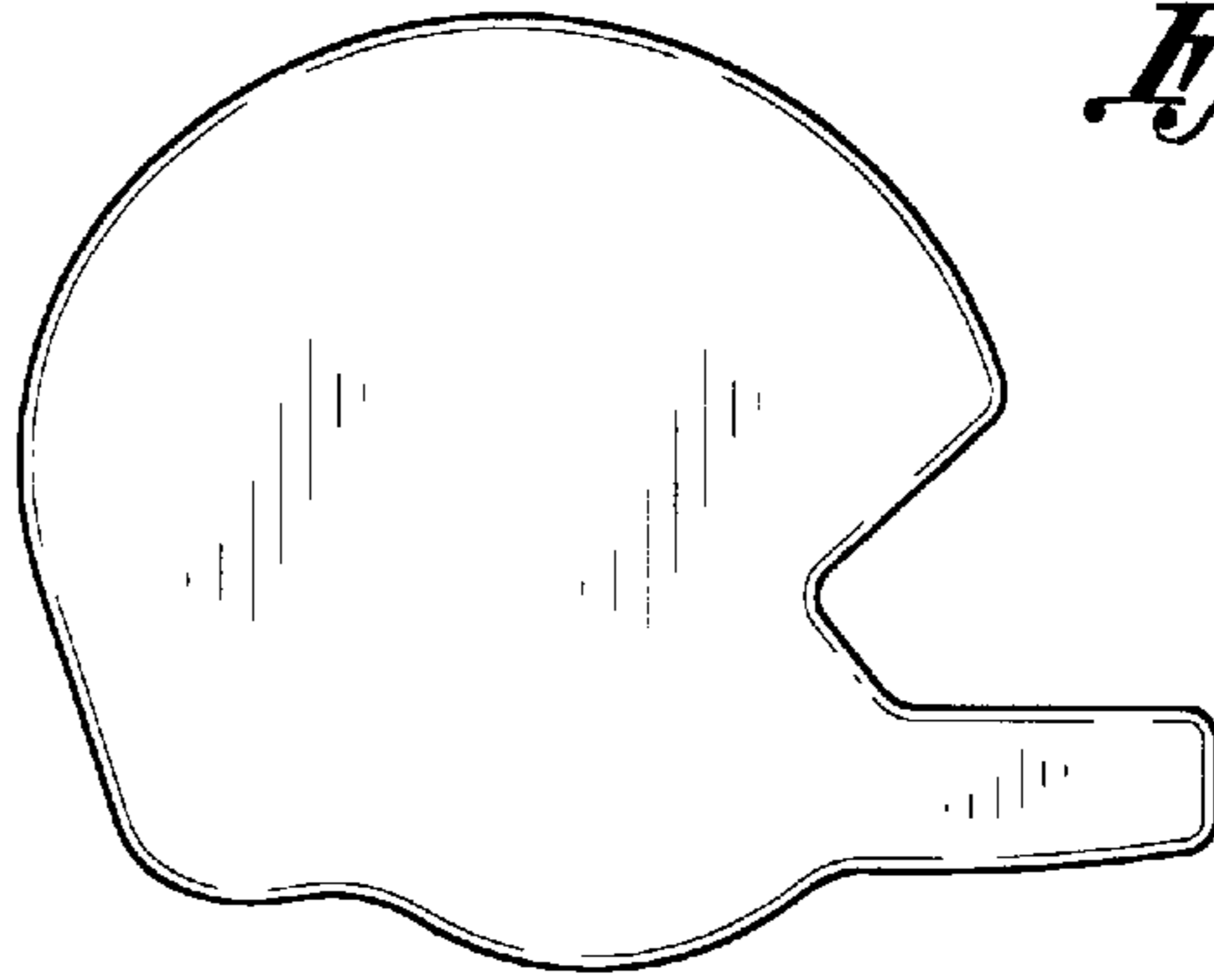


Fig. 6

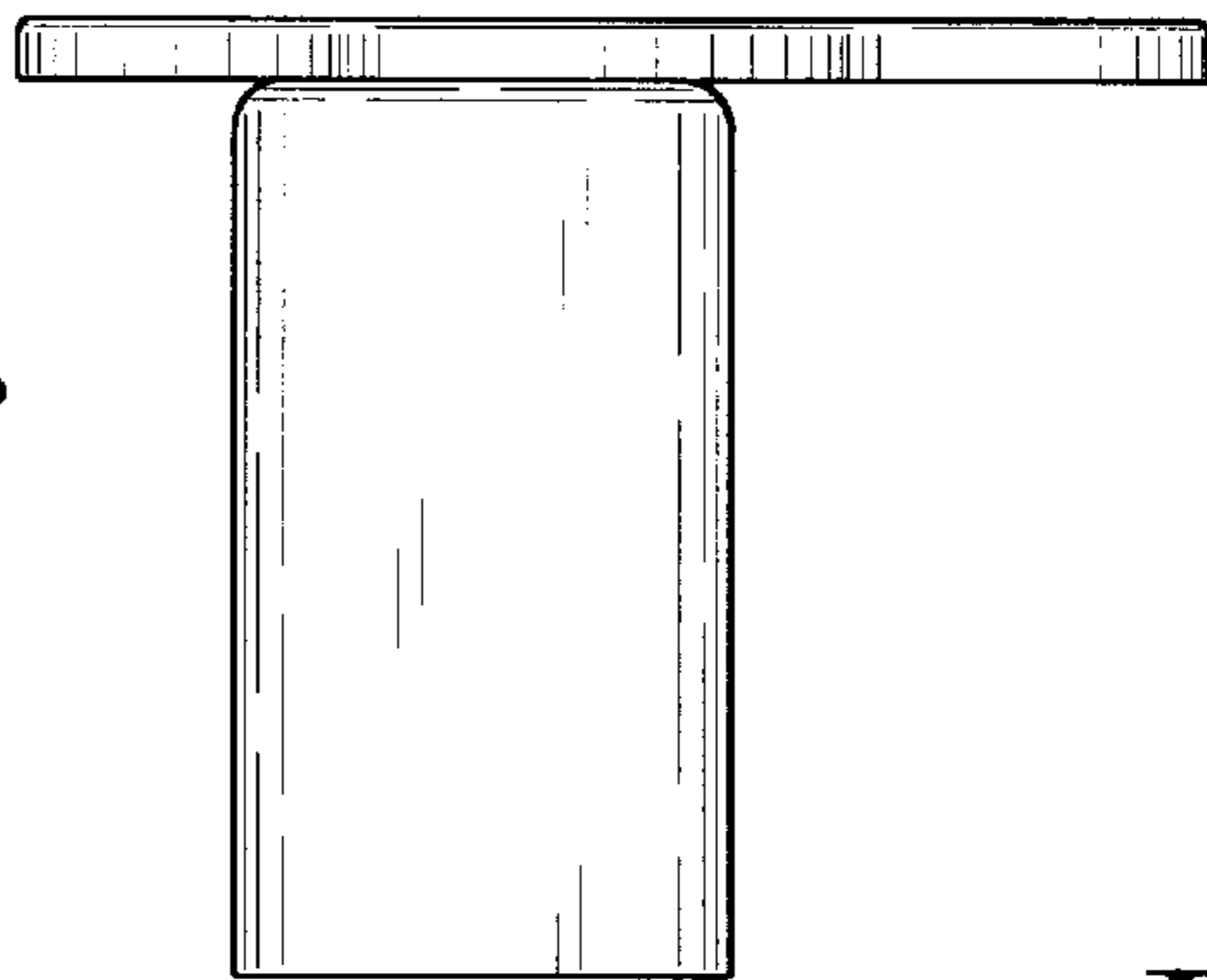


Fig. 7

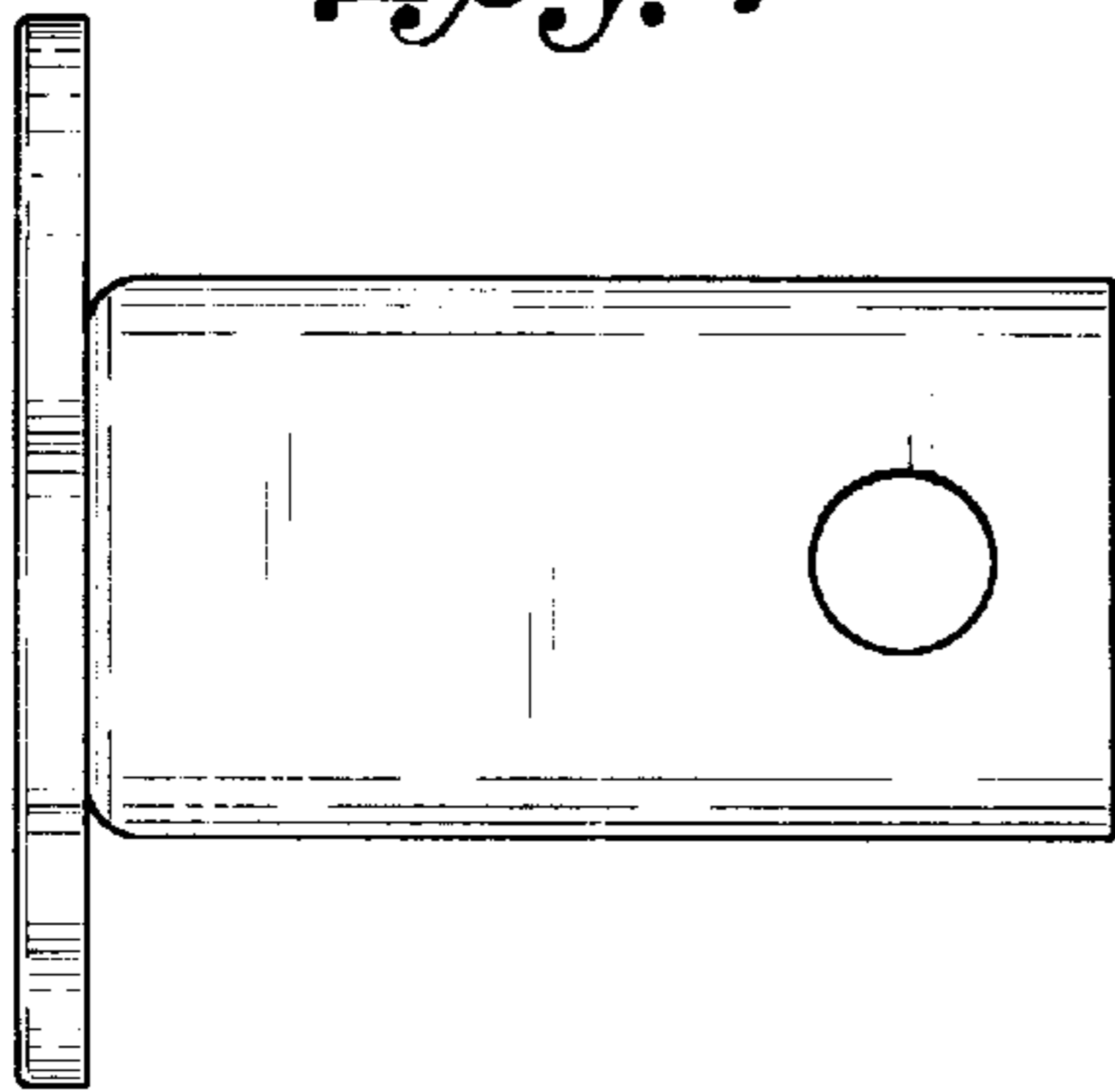


Fig. 8

